



# HORIZONTAL SINGLE GANG LED STEP LIGHT 100-240V, 2W, 3000K (WARM WHITE)

## Specifications



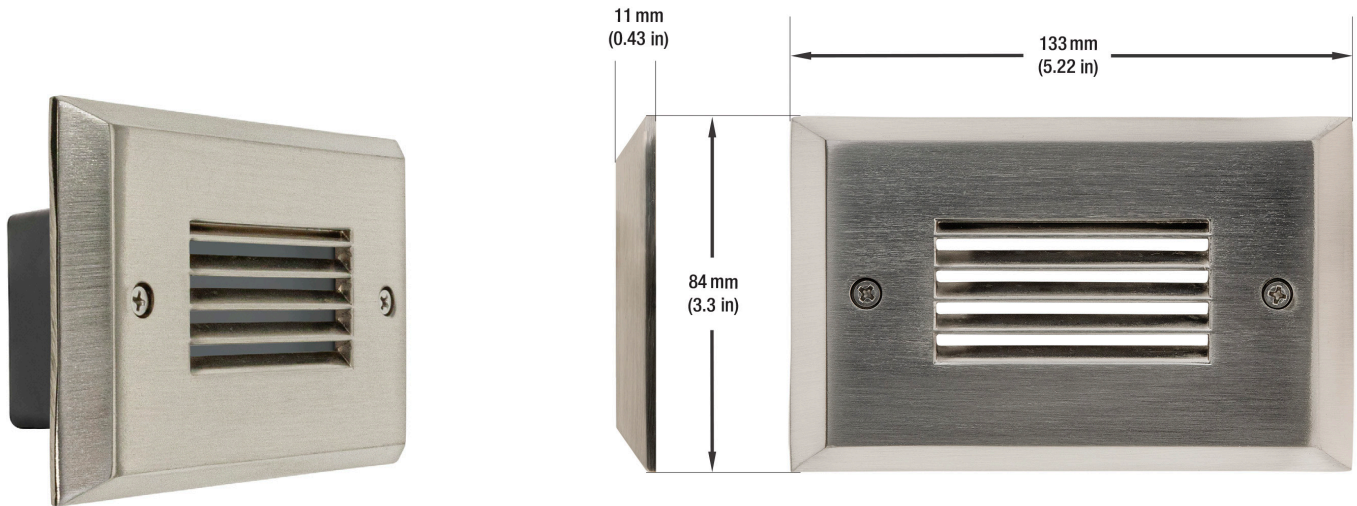
<b>Model:</b>	RT05HV
<b>Voltage:</b>	100-240V AC
<b>Wattage:</b>	2W
<b>Color Temperature:</b>	3000K (Warm White)
<b>Beam Angle:</b>	95°
<b>Available Cover Color:</b>	White - Black - Brushed Nickel
<b>Dimmable:</b>	No
<b>Rendering Index:</b>	CRI>80
<b>IP Rating:</b>	IP67 (Outdoor rated)
<b>Dimensions (Gang Box):</b>	Length: 72mm (2.8") Width: 47.6mm (1.87") Depth: 37.68mm (1.48")
<b>Dimensions (Cover):</b>	Length: 84mm (3.3") Width: 133mm (5.22") Depth: 11mm (0.43")
<b>Certification:</b>	ETL



**SKU#: 666561413385**

## Features

- The Horizontal RT05HV Single Gang LED Step Light/ Pathway Light is a durable outdoor-rated lighting solution suitable for illuminating pathways or steps.
- It has a power consumption of 2W and emits a warm white light with a color temperature of 3000K.
- High color rendering index (CRI) of over 80, ensuring that the colors of illuminated objects appear natural and vibrant.
- The housing of the light is made of polycarbonate (PC) material, making it resistant to damage from environmental factors such as moisture and dust.
- The light is also IP67 rated, which means it can be used in wet locations without any risk of water damage.

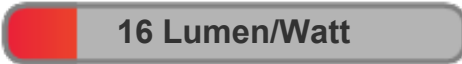


## Disclaimer

The data and information contained in this specification sheet are subject to change without notice; the ratings supplied are provided based on the product manufacturer. The information contained in this specification sheet should not be considered a warranty, expressed or implied, including, but not limited to, a warranty of merchantability or fitness for a particular purpose. In no event shall LED Lights and Parts be liable for any incidental or consequential damages resulting from the use, misuse, or inability to use the product. This exclusion applies regardless of whether such damages are sought based on breach of warranty, breach of contract, negligence, strict liability in tort, or any other legal theory.



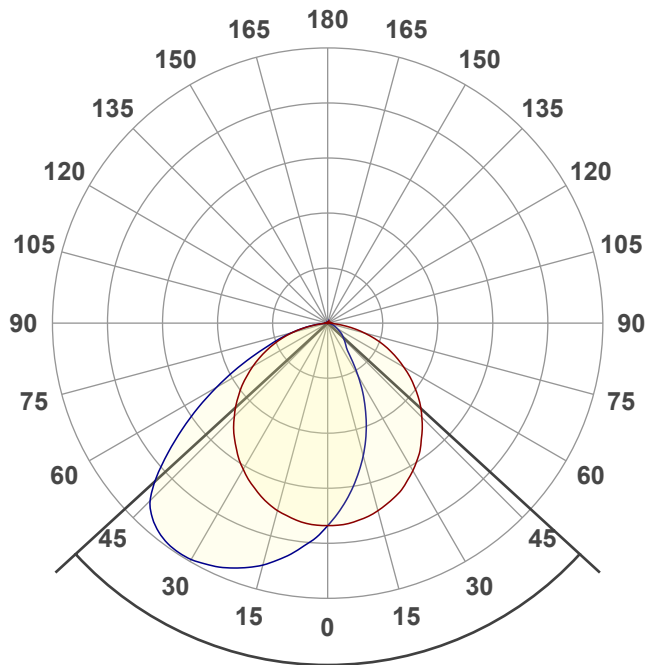
Light efficiency:



Light quality:



Color temperature:



Beam angle

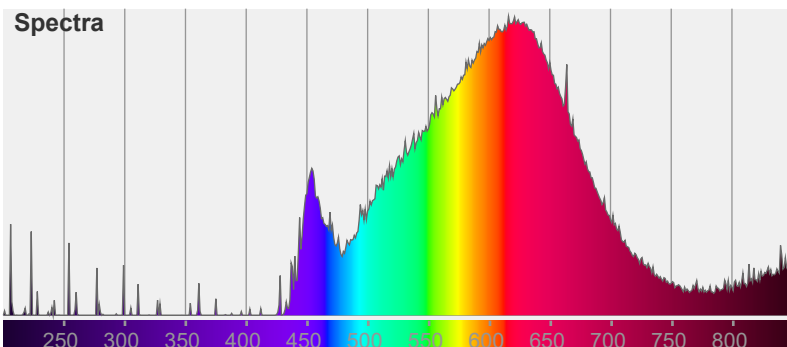
95°

Color



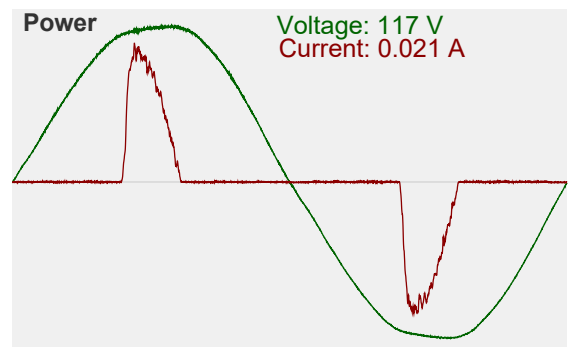
CIE1931  
x: 0.443  
y: 0.412

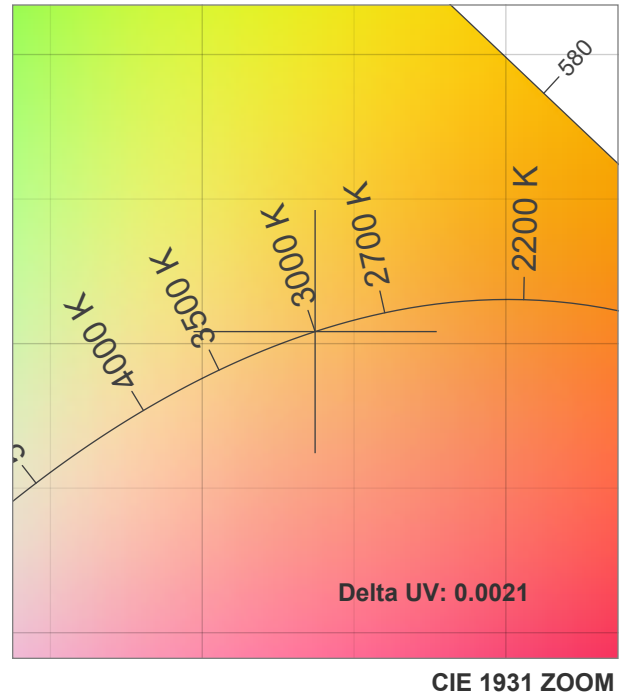
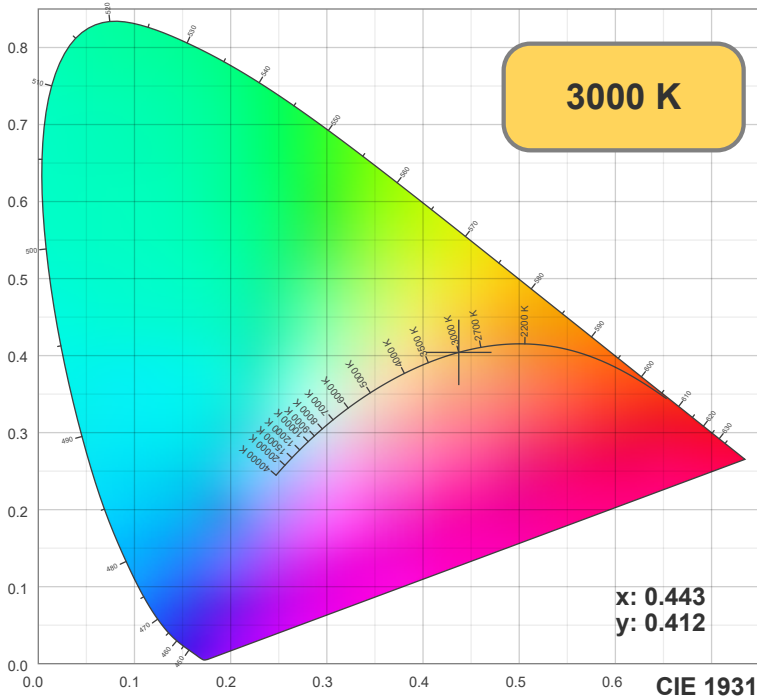
Spectra



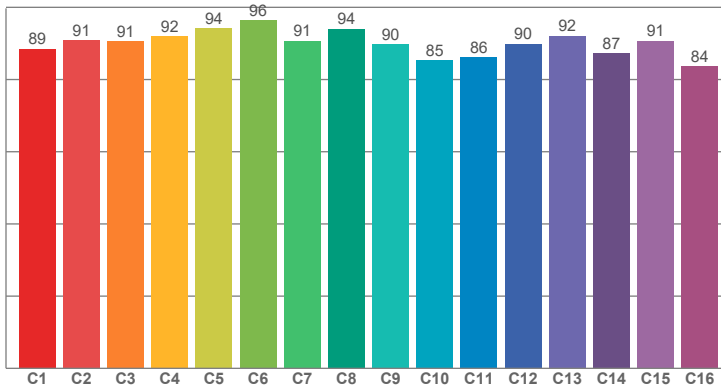
Power

Voltage: 117 V  
Current: 0.021 A

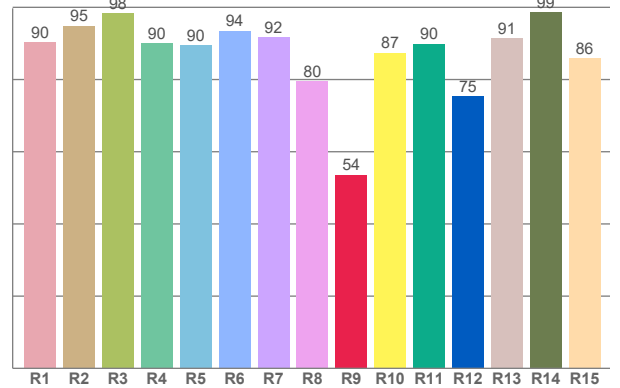




**TM30: 90.0**



**CRI: 91.0 (R1-R8)**



**CRI R values, only R1-R8 are used to calculate final CRI value**

R1	R2	R3	R4	R5	R6	R7	R8	R9	R10	R11	R12	R13	R14	R15
90.30	94.89	98.40	89.95	89.53	93.53	91.72	79.56	53.55	87.38	89.90	75.30	91.36	98.58	85.81

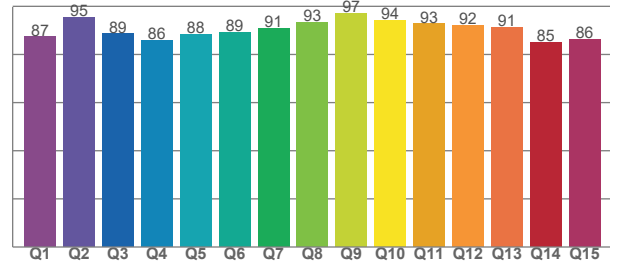
**TM30 C values, 16 binned values out of total of 99 C values**

C1	C2	C3	C4	C5	C6	C7	C8	C9	C10	C11	C12	C13	C14	C15	C16
88.50	90.85	90.55	91.93	94.14	96.39	90.75	94.01	89.77	85.27	86.12	89.83	92.06	87.20	90.72	83.69

**CQS Q values**

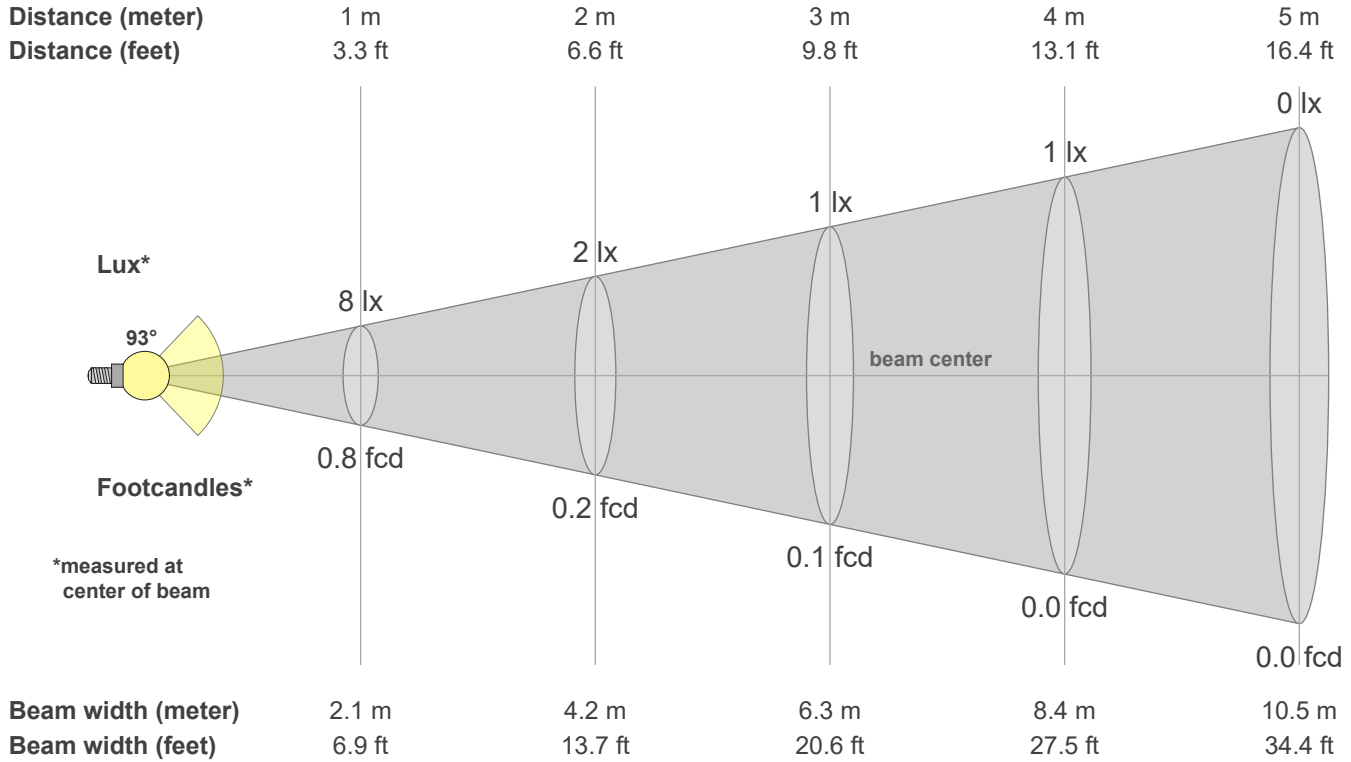
Q1	Q2	Q3	Q4	Q5	Q6	Q7	Q8	Q9	Q10	Q11	Q12	Q13	Q14	Q15
87.26	95.30	88.59	85.99	88.24	89.33	90.72	93.35	97.19	94.19	92.67	91.96	91.31	85.12	86.28

**CQS: 89.7**



## Color parameters

CCT	CRI	CRI R9	TM30 Rf	TM30 Rg	CQS	x	y	u	v	Duv
3000 K	91.0	53.5	90.0	96.5	89.7	0.4	0.4	0.3	0.3	0.0021



### Intensities in 0° c-plane

0°	5°	10°	15°	20°	25°	30°	35°	40°	45°	50°	55°	60°	65°	70°	75°	80°	85°	90°	95°
8.3	8.2	8.1	7.9	7.7	7.4	7.0	6.5	6.0	5.4	4.9	4.2	3.6	2.9	2.3	1.6	0.9	0.3	0.0	0.0
100%	100%	98%	96%	93%	89%	84%	79%	72%	66%	59%	51%	43%	36%	27%	19%	10%	3%	0%	0%

### Intensities in 90° c-plane

0°	5°	10°	15°	20°	25°	30°	35°	40°	45°	50°	55°	60°	65°	70°	75°	80°	85°	90°	95°
8.3	7.4	6.6	5.6	4.6	3.6	2.5	1.5	1.1	0.9	0.8	0.6	0.5	0.3	0.2	0.2	0.1	0.0	0.0	0.0
100%	90%	79%	68%	56%	43%	30%	18%	14%	11%	10%	8%	6%	4%	3%	2%	1%	0%	0%	0%

### Intensities in 180° c-plane

0°	5°	10°	15°	20°	25°	30°	35°	40°	45°	50°	55°	60°	65°	70°	75°	80°	85°	90°	95°
8.3	8.2	8.1	7.9	7.6	7.3	6.9	6.4	5.9	5.4	4.8	4.2	3.5	2.9	2.2	1.5	0.7	0.2	0.0	0.0
100%	100%	98%	96%	92%	88%	83%	78%	72%	65%	58%	51%	43%	35%	26%	18%	9%	2%	0%	0%

### Intensities in 270° c-plane

0°	5°	10°	15°	20°	25°	30°	35°	40°	45°	50°	55°	60°	65°	70°	75°	80°	85°	90°	95°
8.3	9.0	9.7	10.2	10.6	11.0	11.2	11.1	10.9	10.3	8.7	7.0	5.2	3.7	2.4	1.5	0.8	0.2	0.0	0.0
100%	109%	117%	124%	129%	132%	135%	135%	132%	124%	105%	84%	63%	45%	29%	19%	10%	2%	0%	0%

Beam angle 50%	Field angle 10%	Cutoff angle 2.5%	Intensity ratio in 120° cone	Intensity ratio in 90° cone
92.7°	139.1°	161.5°	81.7%	56.3%