



ROUND GANG LED STEP LIGHT

100-240V, 2.5W, 3000K (WARM WHITE)

Specifications



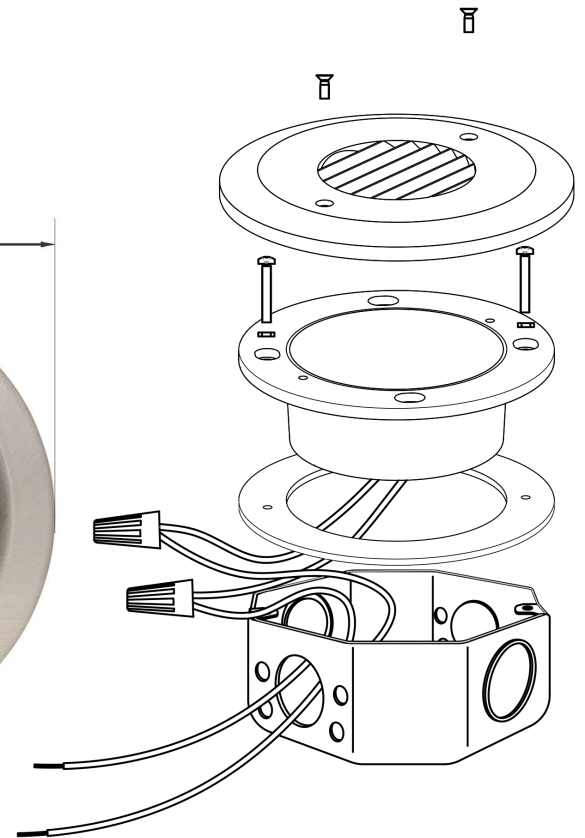
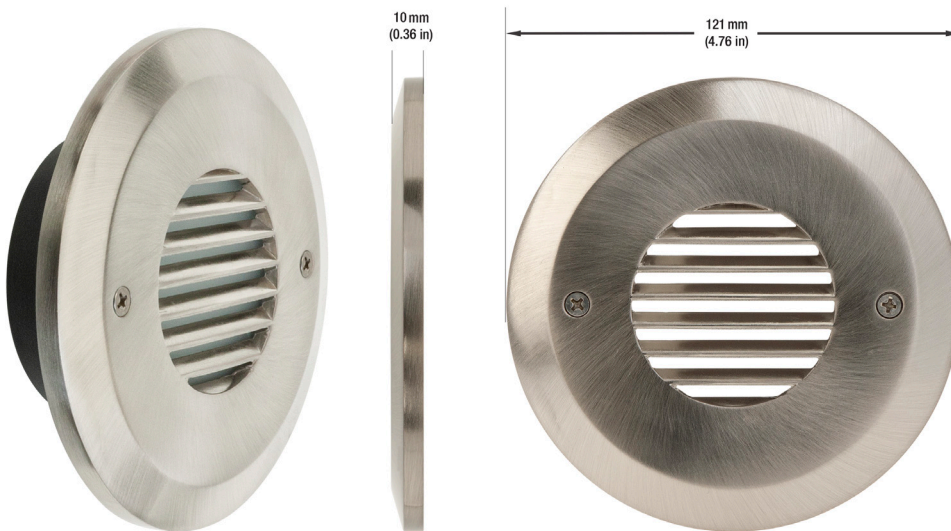
Model:	ALED-RD05HV
Voltage:	100-240V AC
Wattage:	2.5W
Color Temperature:	3000K (Warm White)
Beam Angle:	100°
Available Cover Color:	White - Black - Brushed Nickel
Dimmable:	No
Rendering Index:	CRI>80
IP Rating:	IP67 (Outdoor rated)
Dimensions (Gang Box):	Diameter: 107mm (4.24") Depth: 34mm (1.36")
Dimensions (Cover):	Diameter: 121mm (4.76") Depth: 10mm (0.36")
Certification:	ETL



SKU#: 666561413408

Features

- Can be easily installed in a gang box without any transformer (120V).
- Suitable for wet locations having an IP67 rating.



Disclaimer

The data and information contained in this specification sheet are subject to change without notice; the ratings supplied are provided based on the product manufacturer. The information contained in this specification sheet should not be considered a warranty, expressed or implied, including, but not limited to, a warranty of merchantability or fitness for a particular purpose. In no event shall LED Lights and Parts be liable for any incidental or consequential damages resulting from the use, misuse, or inability to use the product. This exclusion applies regardless of whether such damages are sought based on breach of warranty, breach of contract, negligence, strict liability in tort, or any other legal theory.



LED Lights and Parts

WORLD OF LED LIGHTS

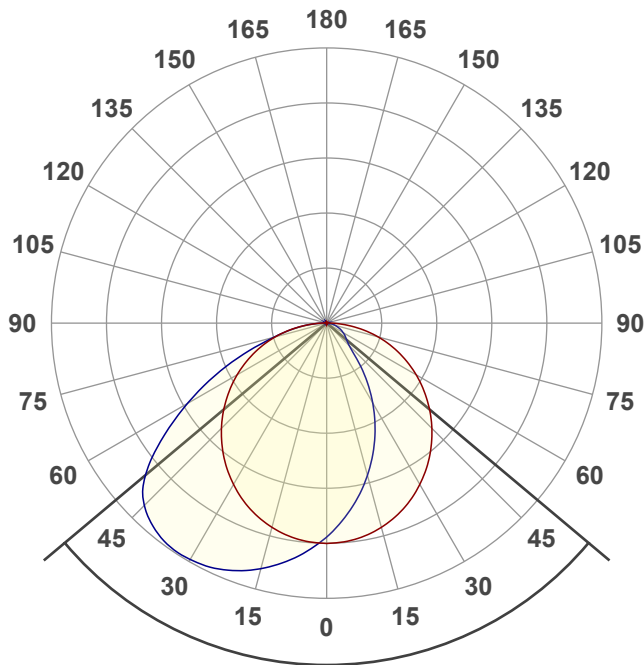
Light efficiency:



Light quality:



Color temperature:



Beam angle

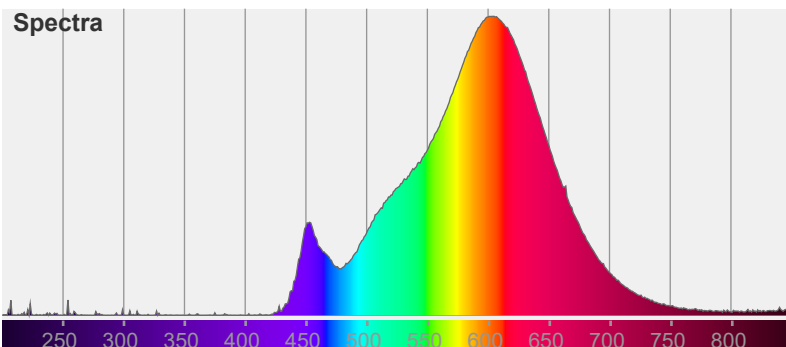
100°

Color



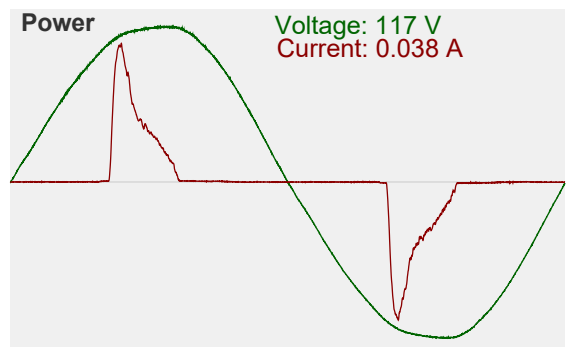
CIE1931
x: 0.463
y: 0.424

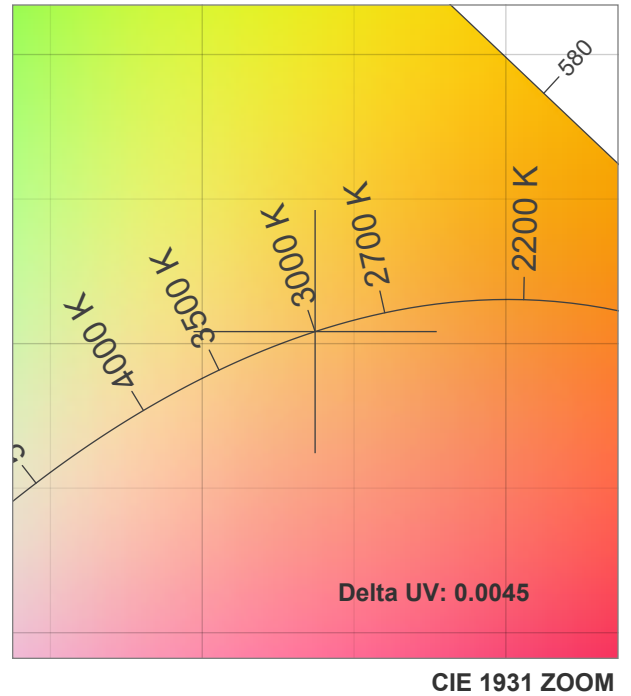
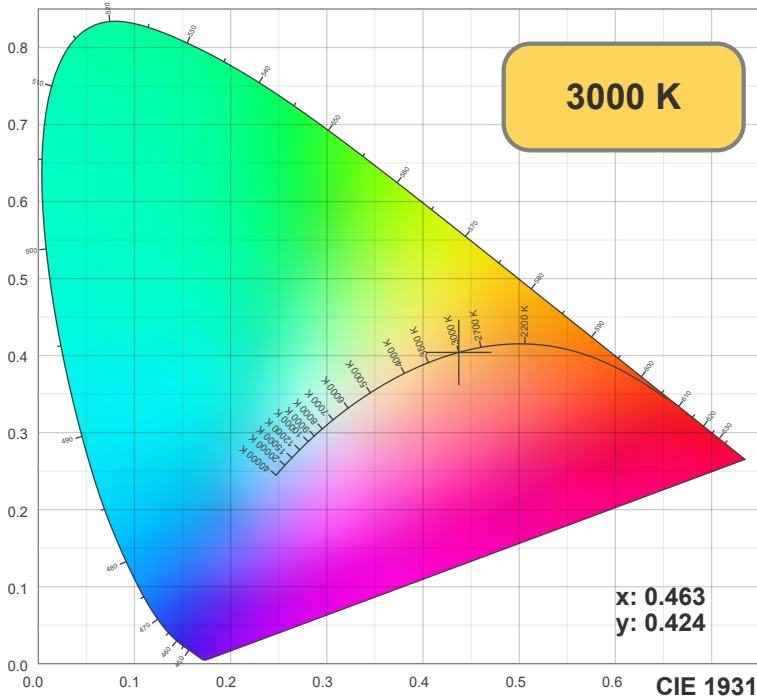
Spectra



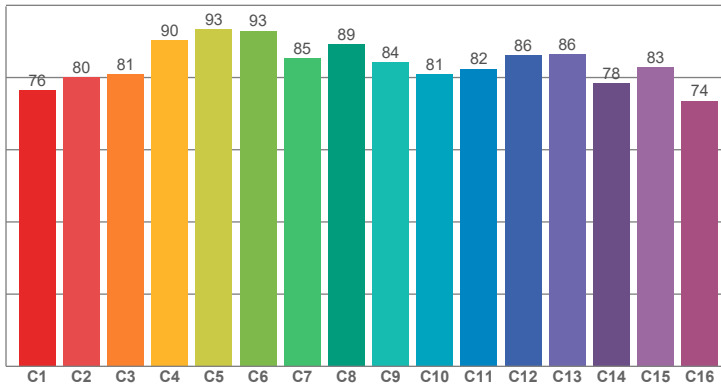
Power

Voltage: 117 V
Current: 0.038 A

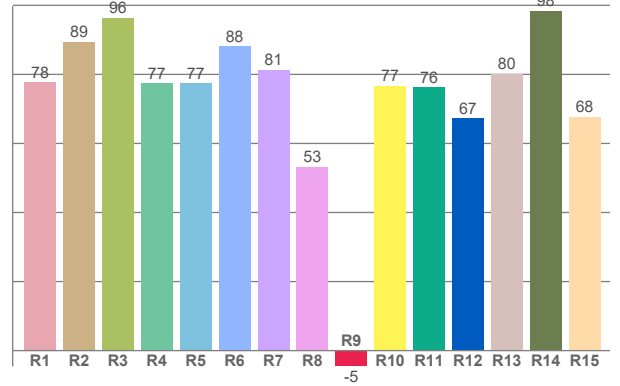




TM30: 83.8



CRI: 80.1 (R1-R8)



CRI R values, only R1-R8 are used to calculate final CRI value

R1	R2	R3	R4	R5	R6	R7	R8	R9	R10	R11	R12	R13	R14	R15
77.62	89.41	96.34	77.40	77.39	88.08	81.30	53.26	-4.55	76.74	76.24	67.26	80.22	98.45	67.69

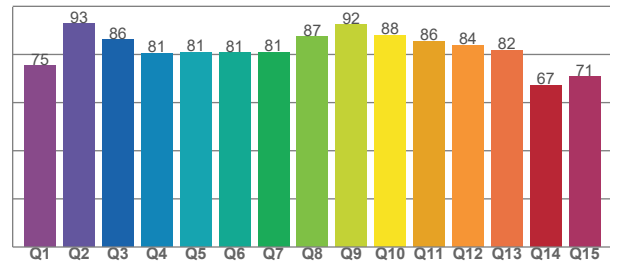
TM30 C values, 16 binned values out of total of 99 C values

C1	C2	C3	C4	C5	C6	C7	C8	C9	C10	C11	C12	C13	C14	C15	C16
76.46	80.06	80.86	90.30	93.42	92.94	85.32	89.12	84.26	80.83	82.38	86.12	86.45	78.40	82.77	73.57

CQS Q values

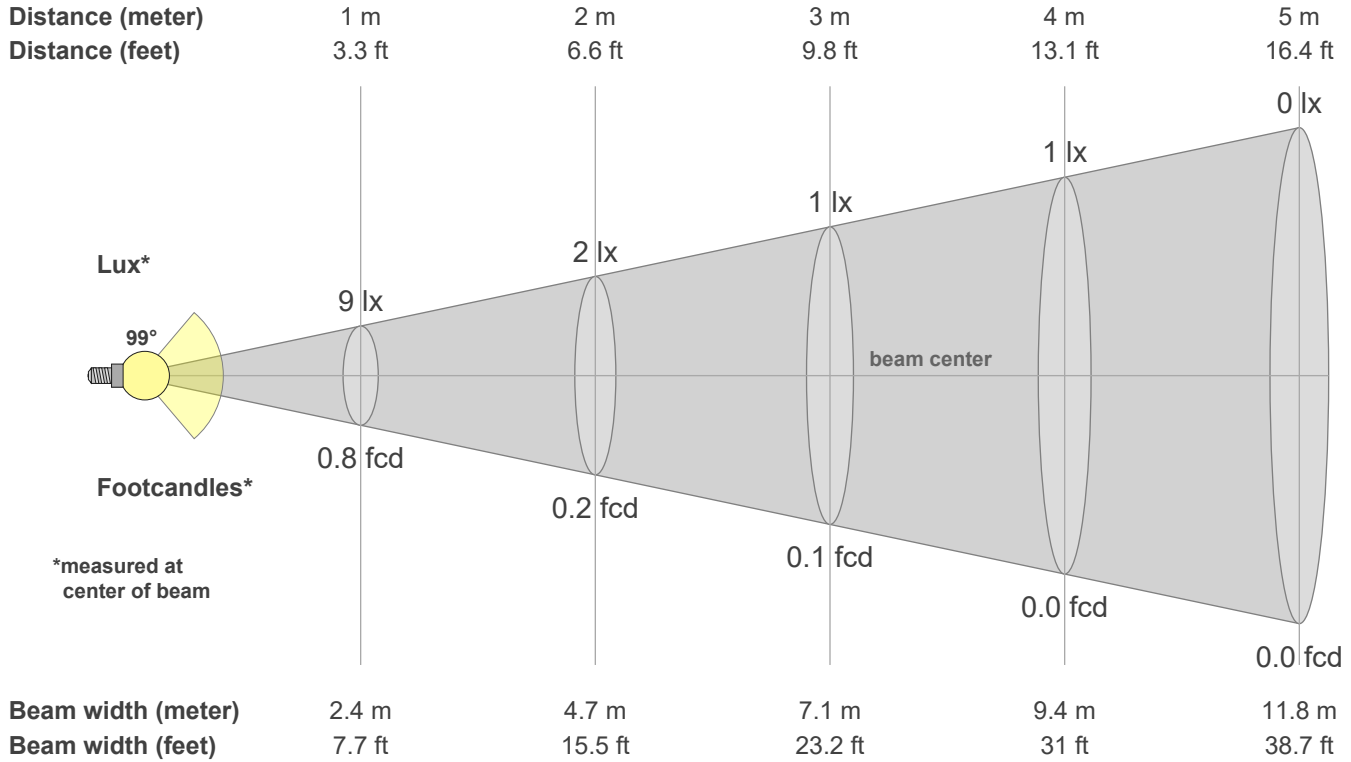
Q1	Q2	Q3	Q4	Q5	Q6	Q7	Q8	Q9	Q10	Q11	Q12	Q13	Q14	Q15
75.21	92.72	86.04	80.54	80.97	80.65	80.96	87.27	92.29	88.05	85.51	83.73	81.61	67.05	70.66

CQS: 80.7



Color parameters

CCT	CRI	CRI R9	TM30 Rf	TM30 Rg	CQS	x	y	u	v	Duv
3000 K	80.1	-4.6	83.8	91.2	80.7	0.4	0.4	0.3	0.3	0.0045



Intensities in 0° c-plane

0°	5°	10°	15°	20°	25°	30°	35°	40°	45°	50°	55°	60°	65°	70°	75°	80°	85°	90°	95°
8.6	8.6	8.5	8.3	8.1	7.7	7.3	6.9	6.4	5.9	5.3	4.7	4.1	3.4	2.8	2.1	1.4	0.7	0.2	0.0
100%	101%	100%	97%	94%	90%	86%	81%	75%	69%	62%	55%	48%	40%	32%	25%	16%	9%	3%	0%

Intensities in 90° c-plane

0°	5°	10°	15°	20°	25°	30°	35°	40°	45°	50°	55°	60°	65°	70°	75°	80°	85°	90°	95°
8.6	7.7	7.0	6.2	5.4	4.5	3.6	2.7	1.9	1.3	1.0	0.9	0.7	0.6	0.5	0.4	0.2	0.1	0.0	0.0
100%	90%	82%	73%	63%	53%	42%	32%	22%	15%	12%	10%	9%	7%	6%	4%	3%	2%	0%	0%

Intensities in 180° c-plane

0°	5°	10°	15°	20°	25°	30°	35°	40°	45°	50°	55°	60°	65°	70°	75°	80°	85°	90°	95°
8.6	8.6	8.5	8.3	8.1	7.7	7.3	6.9	6.4	5.9	5.3	4.7	4.1	3.4	2.8	2.1	1.4	0.7	0.2	0.0
100%	101%	100%	97%	94%	90%	86%	81%	75%	69%	62%	55%	48%	40%	32%	25%	16%	9%	3%	0%

Intensities in 270° c-plane

0°	5°	10°	15°	20°	25°	30°	35°	40°	45°	50°	55°	60°	65°	70°	75°	80°	85°	90°	95°
8.6	9.0	9.6	10.0	10.4	10.6	10.8	10.7	10.6	10.1	9.3	7.9	6.3	4.8	3.4	2.2	1.4	0.7	0.2	0.0
100%	106%	112%	117%	121%	124%	126%	126%	123%	119%	109%	92%	74%	56%	39%	25%	16%	8%	2%	0%

Beam angle 50%	Field angle 10%	Cutoff angle 2.5%	Intensity ratio in 120° cone	Intensity ratio in 90° cone
99.4°	149.4°	173.6°	77.8%	52.6%