



UL-1014 TYPE 2

ROUND LED STEP LIGHT EYELID TRIM WHITE TYPE 2 (3000K/RGB)

Specifications



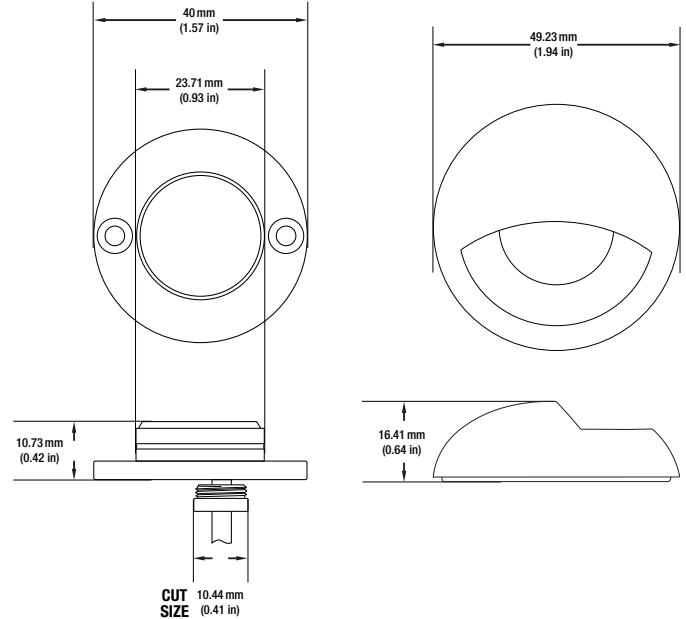
Model (3000K Engine):	UL-1014
Mode (RGB Engine):	UL-1014RGB
Voltage:	12-24V (3000K Engine) 5V (RGB Engine)
Wattage:	1.2W (3000K Engine) 1W (RGB Engine)
Trim Type:	Flat Bevel Trim
Available Color Temperatures:	3000K (Warm White), RGB
LED Type:	COB LED
Brightness:	40-45 lumens
Dimmable:	Yes
IP Rating:	IP67 (Outdoor Rated)
IK Rating:	IK06
Diffuser Material:	2 mm Opal
Wire Length:	92 cm (3 ft) 22AWG
Diameter:	Ø 49.23 mm (1.94 in)
Cut Size Diameter:	Ø 10.44 mm (0.41 in)
Certification:	ETL



SKU#: 666561411831

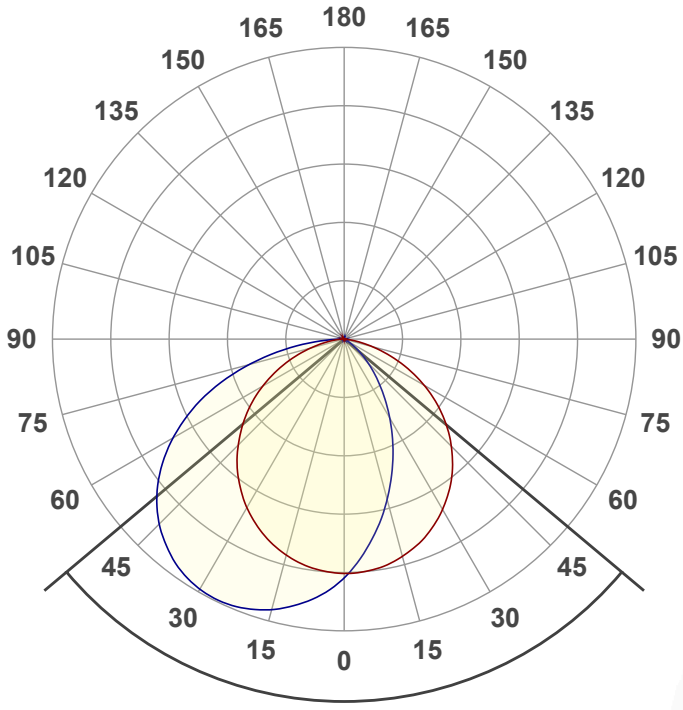
Features

- The product front cover and housing is a passivated aluminum housing, the passivated film is 11-13 micron: corrosion-proof.
- The diffuser has a 2mm thickness that makes this light used as deck light or for inground lighting without worrying about damaging the light.
- The gasket is O-ring seal is PMQ.
- The light source is Osram LED COB Chip.
- With IP67 rating can be used both indoor and outdoor in various applications.
- Well heat dissipation, Long life-span, and low light decay.
- We offer a step-down transformer to line voltage in both hardwire and plugin.
- Available in both warm white and multi-color.
- Can be directly screwed onto the surface with a cut size of just a hole for installation.
- Comes with 3 feet of wire cable.
- Depending upon the wattage of the transformer, any number of lights can go on 1 switch.



Disclaimer

The data and information contained in this specification sheet are subject to change without notice; the ratings supplied are provided based on the product manufacturer. The information contained in this specification sheet should not be considered a warranty, expressed or implied, including, but not limited to, a warranty of merchantability or fitness for a particular purpose. In no event shall LED Lights and Parts be liable for any incidental or consequential damages resulting from the use, misuse, or inability to use the product. This exclusion applies regardless of whether such damages are sought based on breach of warranty, breach of contract, negligence, strict liability in tort, or any other legal theory.



Beam angle

100°

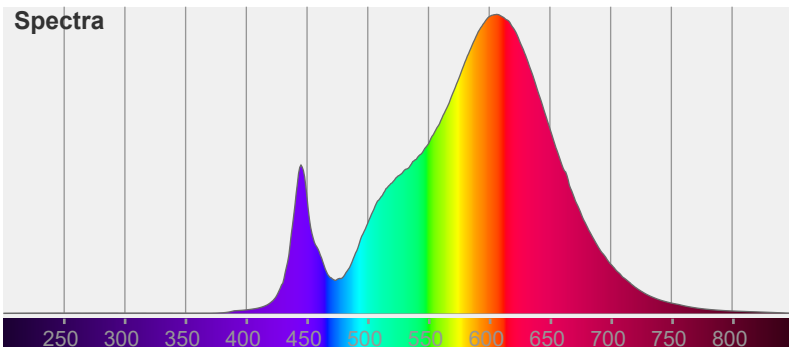


Color



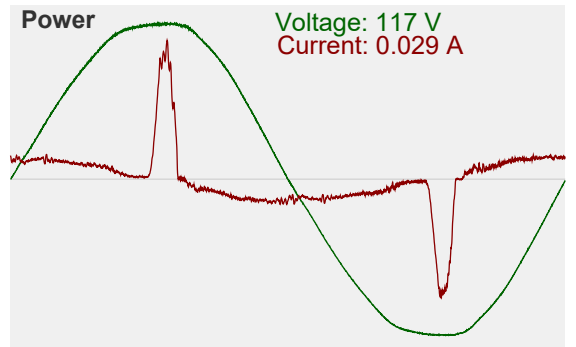
CIE1931
x: 0.450
y: 0.408

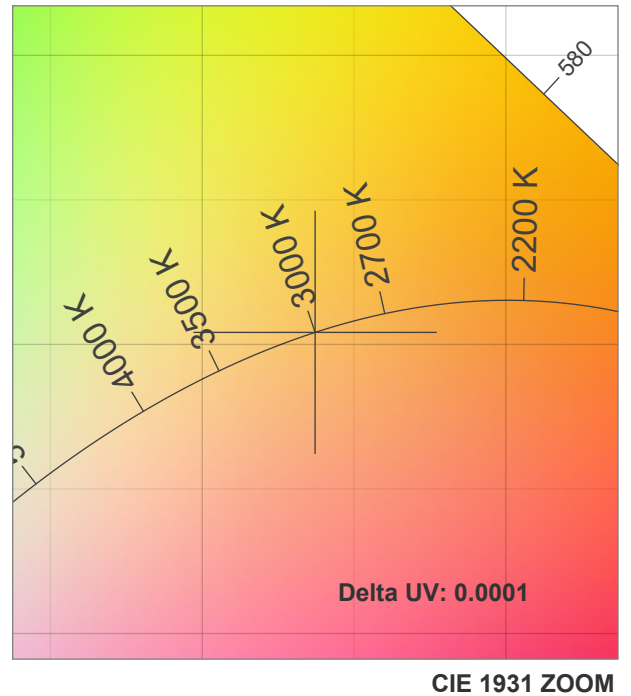
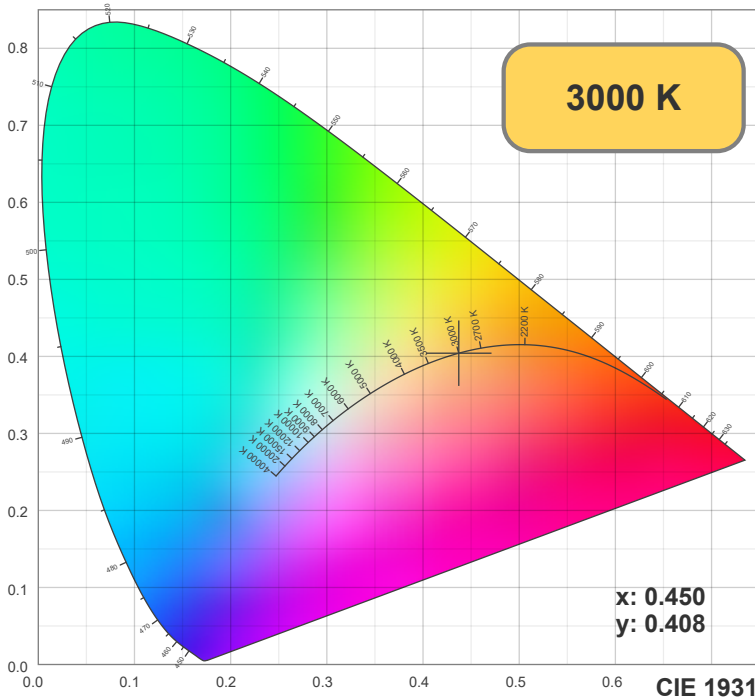
Spectra



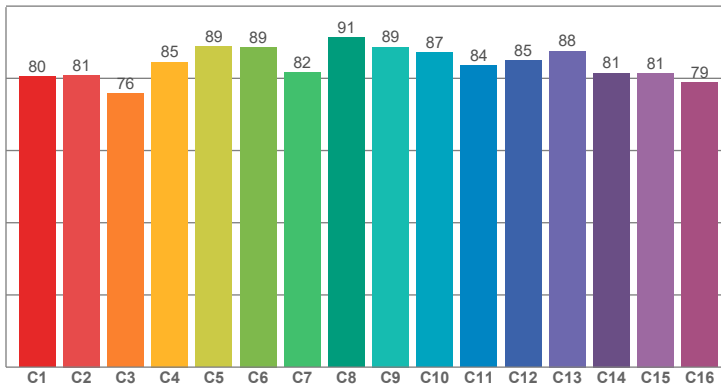
Power

Voltage: 117 V
Current: 0.029 A

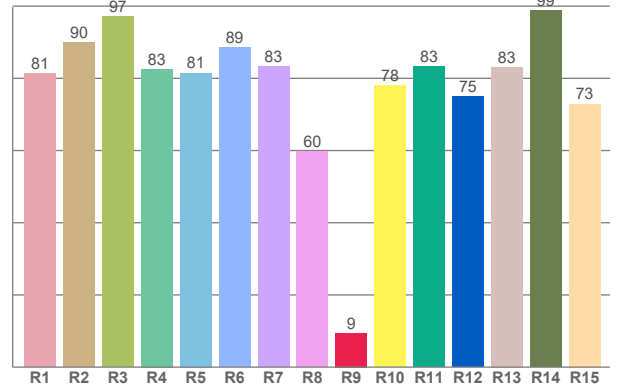




TM30: 84.0



CRI: 83.0 (R1-R8)



CRI R values, only R1-R8 are used to calculate final CRI value

R1	R2	R3	R4	R5	R6	R7	R8	R9	R10	R11	R12	R13	R14	R15
81.24	89.97	97.23	82.55	81.49	88.62	83.20	59.77	9.43	78.00	83.20	74.99	83.11	98.75	72.91

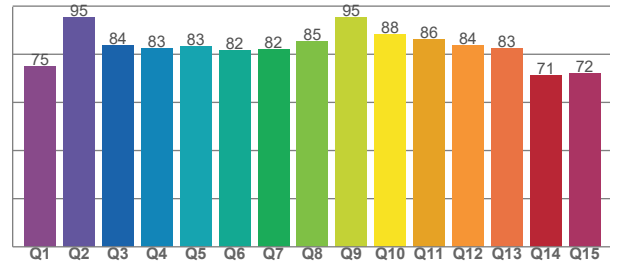
TM30 C values, 16 binned values out of total of 99 C values

C1	C2	C3	C4	C5	C6	C7	C8	C9	C10	C11	C12	C13	C14	C15	C16
80.46	80.89	75.80	84.56	88.74	88.65	81.52	91.26	88.71	87.10	83.59	84.89	87.60	81.49	81.46	78.88

CQS Q values

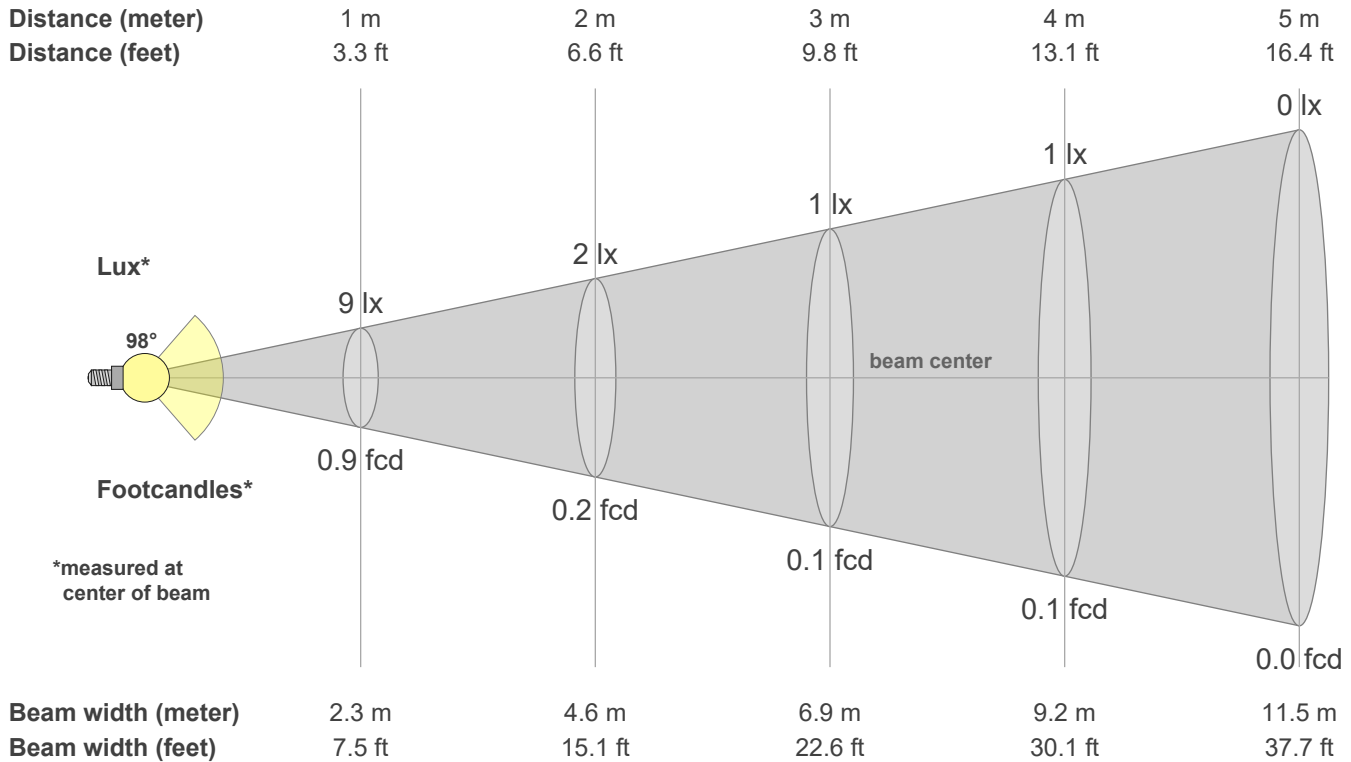
Q1	Q2	Q3	Q4	Q5	Q6	Q7	Q8	Q9	Q10	Q11	Q12	Q13	Q14	Q15
74.92	95.47	83.59	82.57	83.44	81.62	82.19	85.38	95.22	88.46	86.14	83.61	82.60	71.16	72.28

CQS: 81.8



Color parameters

CCT	CRI	CRI R9	TM30 Rf	TM30 Rg	CQS	x	y	u	v	Duv
3000 K	83.0	9.4	84.0	98.6	81.8	0.4	0.4	0.3	0.3	-0.0002



Intensities in 0° c-plane

0°	5°	10°	15°	20°	25°	30°	35°	40°	45°	50°	55°	60°	65°	70°	75°	80°	85°	90°	95°
9.2	9.1	9.0	8.7	8.5	8.1	7.6	7.1	6.6	5.9	5.2	4.4	3.6	2.8	1.9	1.1	0.5	0.1	0.0	0.0
100%	99%	97%	95%	92%	88%	83%	78%	71%	64%	56%	48%	39%	30%	21%	12%	6%	1%	0%	0%

Intensities in 90° c-plane

0°	5°	10°	15°	20°	25°	30°	35°	40°	45°	50°	55°	60°	65°	70°	75°	80°	85°	90°	95°
9.2	8.4	7.5	6.5	5.4	4.5	3.5	2.7	2.0	1.3	0.8	0.4	0.1	0.0	0.0	0.0	0.0	0.0	0.0	0.0
100%	91%	81%	70%	59%	49%	39%	29%	21%	14%	9%	4%	1%	0%	0%	0%	0%	0%	0%	0%

Intensities in 180° c-plane

0°	5°	10°	15°	20°	25°	30°	35°	40°	45°	50°	55°	60°	65°	70°	75°	80°	85°	90°	95°
9.2	9.1	8.9	8.7	8.4	8.0	7.6	7.0	6.5	5.8	5.1	4.4	3.7	2.9	2.1	1.4	0.7	0.3	0.1	0.0
100%	98%	97%	95%	91%	87%	82%	77%	70%	63%	56%	48%	40%	31%	23%	15%	8%	3%	1%	0%

Intensities in 270° c-plane

0°	5°	10°	15°	20°	25°	30°	35°	40°	45°	50°	55°	60°	65°	70°	75°	80°	85°	90°	95°
9.2	10.0	10.5	10.9	11.1	11.3	11.2	11.0	10.7	10.2	9.5	8.7	7.7	6.5	5.2	3.8	2.4	1.1	0.2	0.1
100%	108%	114%	118%	121%	123%	122%	120%	116%	111%	103%	94%	84%	71%	57%	42%	26%	12%	2%	1%

Beam angle 50%	Field angle 10%	Cutoff angle 2.5%	Intensity ratio in 120° cone	Intensity ratio in 90° cone
97.9°	143.4°	157.8°	79.3%	54.4%