

User Manual of Xiaowa Robotic Vacuum Cleaner

Please read this user manual carefully before use and keep it well for future reference

XIAOWA

Safety Information

Restrictions

- This product is designed for indoor floor cleaning only, Please do not use it outdoors (such as an open-ended terrace), on any surface instead of the ground (such as a sofa), or in a commercial or industrial environment
- Please do not use the product on any elevated surface without barriers (such as the floor of a loft, an open-ended terrace and the surface of furniture)
- Please do not use the product when the temperature is higher than 40°C or lower than 4°C, or there is any liquid or sticky substance on the floor
- Before using the product, please put aside wires on the floor to avoid them being dragged around when the cleaner is working
- To prevent the cleaner from being blocked whilst it is working and your valuables from any damage from slight crashes. please clean up fragile objects and odds and ends on the floor before switching on the cleaner (such as vases and plastic bags)
- This appliance is not intended for use by persons (including children) with reduced physical, sensory or mental capabilities, or lack of experience and knowledge, unless they have been given supervision or instruction concerning use of the appliance by a person responsible for their safety. Children should be supervised to ensure that they do not play with the appliance (CB)

Safety Information

- This appliance can be used by children aged from 8 years and above and persons with reduced physical, sensory or mental capabilities or lack of experience and knowledge if they have been given supervision or instruction concerning use of the appliance in a safe way and understand the hazards involved. Children shall not play with the appliance. Cleaning and user maintenance shall not be made by children without supervision (EU)
- Please keep the main brush cleaning tools out of reach of children
- Do not place any object (including children and pets) on the cleaner, no matter whether it is working or not
- Keep hair, loose clothing, fingers, and all parts of body away from openings and moving parts
- Do not use the cleaner on any burning object (such as a burning cigarette butt)
- Do not use the cleaner on plush carpets (the cleaner might not work well on some dark-colored carpets either)
- Do not use the cleaner to clean hard or sharp objects (such as decoration wastes, glass and nails)
- Do not carry the cleaner by the cap on the distance laser sensor, the cover on the main unit or the collision buffer
- The appliance must be switched off and the plug must be removed from socket-outlet before cleaning or maintaining the appliance

Safety Information

- Do not use a wet piece of cloth or any liquid to clean any part of the product
- Do not use the mopping module on carpets
- Please use the product according to the manual. Any loss or damage caused from improper use will be borne by the user

Battery and Charging

WARNING

- For the purposes of recharging the battery, only use the detachable supply Unit Xiaowa CDZ03RR or CDZ04RR provided with this appliance
- Do not arbitrarily dismantle, repair or modify the battery or dock charger
- Please keep the dock charger away from heat (such as heating plates)
- The battery must be removed from the appliance before it is scrapped
- The appliance must be disconnected from the supply mains when removing the battery
- The battery is to be disposed of safely. Please do not discard waste batteries. Leave them to a professional recycling organization
- Do not wipe or clean the chargers shrapnel with a piece of wet cloth or wet hands
- If the supply cord is damaged, it must be replaced by the manufacturer, its service agent or similarly qualified persons in order to avoid a hazard
- Please make sure the cleaner is powered off in shipment and original packaging is advised

Safety Information

- If left unused for a long period, please store the cleaner in a cool and dry place after having it fully charged and switched off, charge it at least every three months to avoid the battery being over discharged

Table of Faults of Robotic Vacuum Cleaner

Table of Faults of Robotic Vacuum Cleaner	
Item	Faults
Main Unit	Failure of the functions given in the manual
	Failure of power on
	Malfunction of the main brush, the side brush, the fan or the main wheel
Dock Charger	Failure of charging the main unit
Power cable	Failure of supply electricity to the dock charger

Dock Charger Xiaowa CDZ03RR/ CDZ04RR suitable for Xiaowa Robotic Vacuum Cleaner: E2***** ,E3***** (* can be 0 to 9, A to Z, a to z, "-", "_", "\", "/" or blank, for marketing purpose.), which build-in Rechargeable Li-on battery pack.
Rechargeable Li-on battery pack information

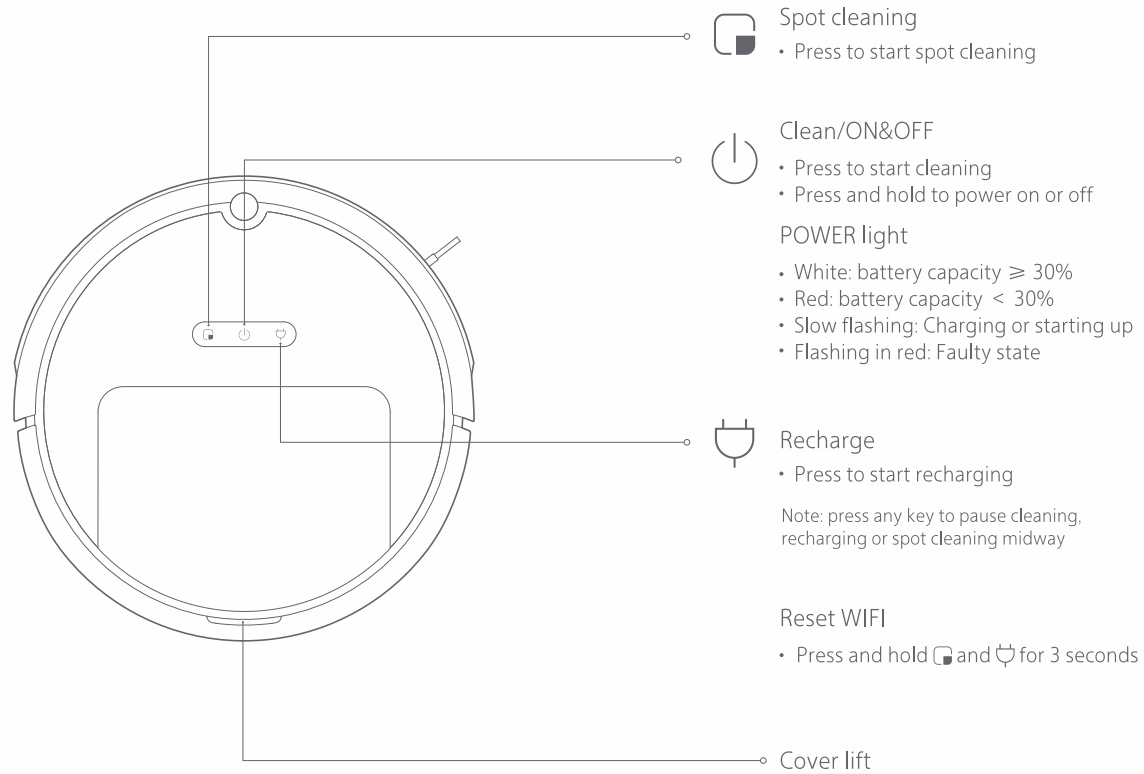
Product model	E2***** (* can be 0 to 9, A to Z, a to z, "-", "_", "\", "/" or blank, for marketing purpose.)	E3***** (* can be 0 to 9, A to Z, a to z, "-", "_", "\", "/" or blank, for marketing purpose.)
Model	BRR-1P4S-2600S/BRR-1P4S-2600D	BRR-2P4S-5200S/BRR-2P4S-5200D
Rated capacity	2600mAh/37.44Wh	5200mAh/74.88Wh
Rated voltage	14.4VDC	14.4VDC
Limited charge voltage	16.8VDC	16.8VDC
Cell number	4	8

Laser Safety

The laser distance sensor of this product meets the standards for Class I Laser Products in IEC 60825-1:2014 and will not generate hazardous laser radiation

Introduction

Machine

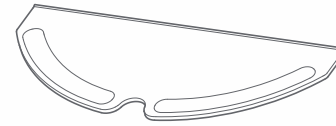


Introduction

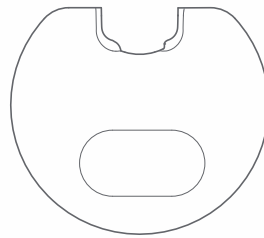
Part list



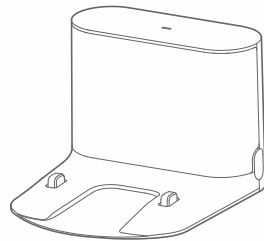
Water tank



Mopping cloth



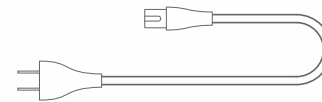
Waterproof pad



Dock charger



Main brush cleaning tool

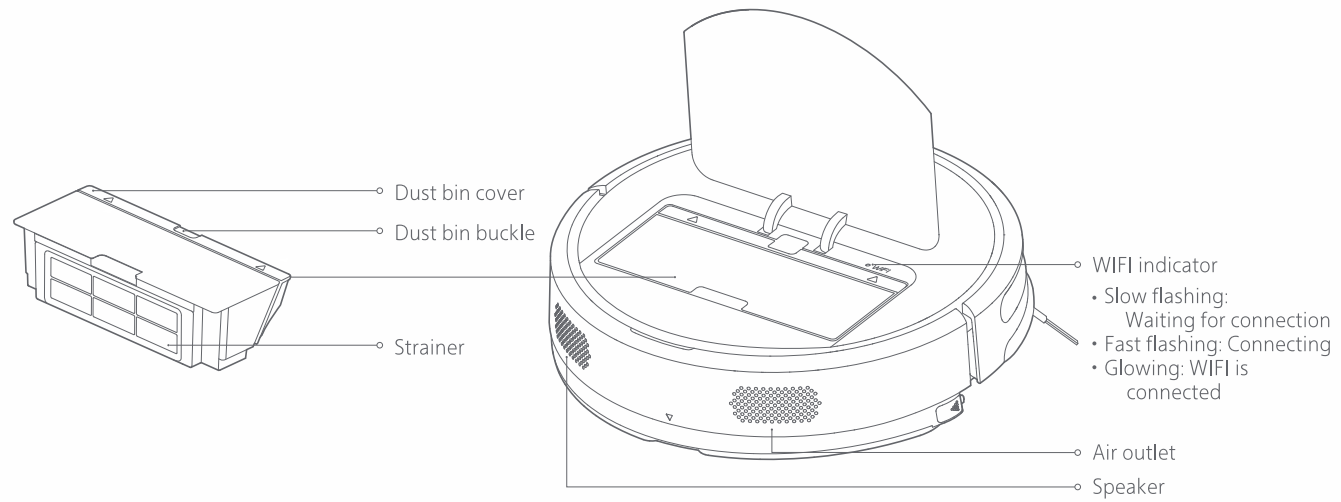


Power cable

Introduction

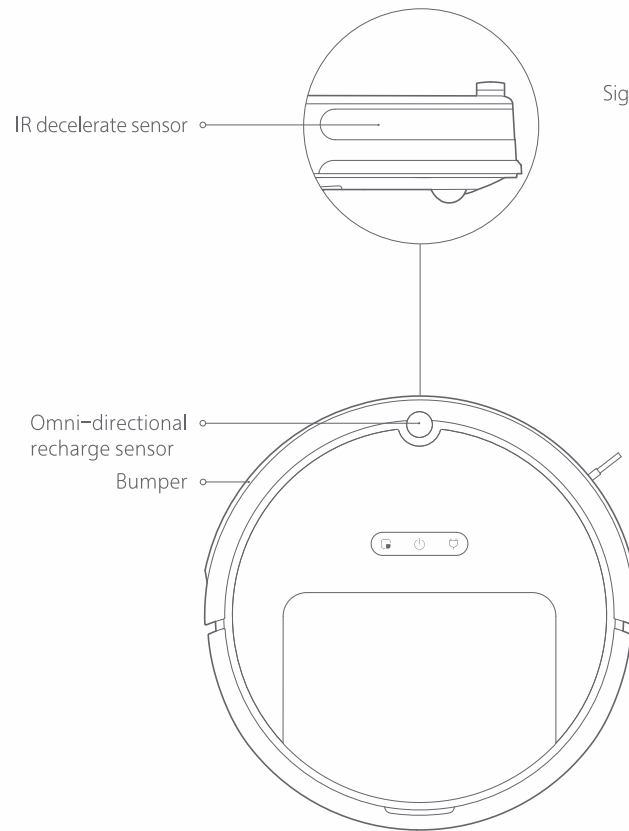
Dust bin

Machine

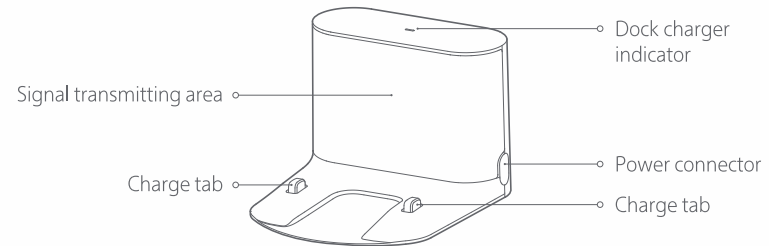


Introduction

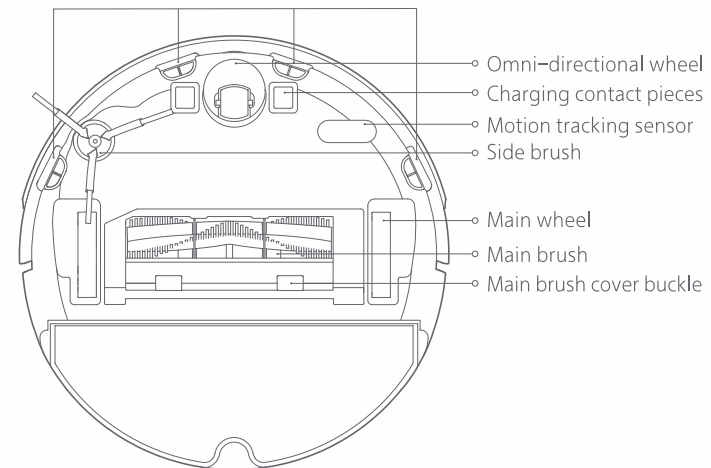
Machine and sensor



Dock charger

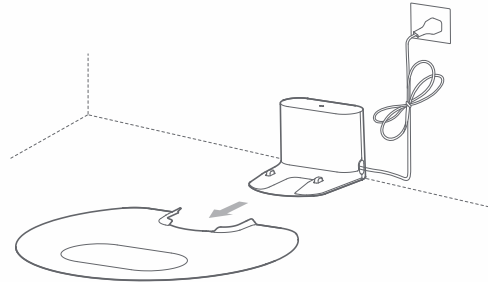


Cliff Sensor

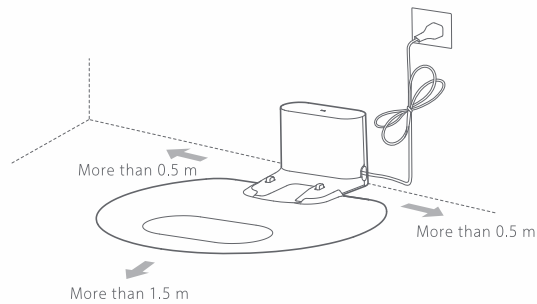


Installation

- 1 Clip the dock charger into the groove of the waterproof mat and install it in place




- 2 Place the dock charger against a wall on a level floor and connect it to the power supply

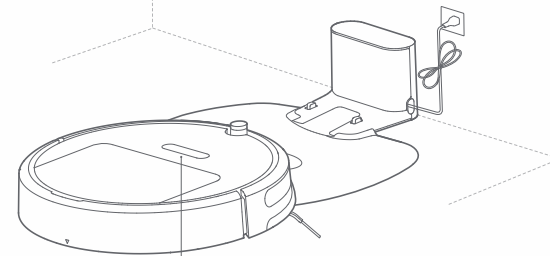


Notes:

- Ensure that 0.5 m or above in two sides and 1.5 m in the front are retained for the dock charger
- The power cable, when being vertical to the floor, may be dragged by the machine body, thereby resulting in displacement or disconnection of the dock charger
- The dock charger indicator is normally on when the dock charger is electrified, and off when the dock charger works

- 3 Power on and charge

Press and hold the  key to power on, wait until the power light is normally on, and then dock the machine body to the dock charger for charging



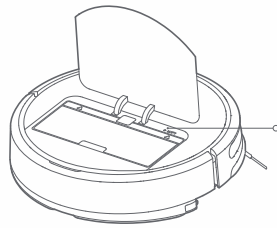
The color of the POWER light indicates the battery level

- White: battery capacity \geq 20%
- Red: battery capacity $<$ 20%

Note: The machine may not be powered on when the battery is low. Please directly dock the machine body to the dock charger

- 4 Connect your mobile phone client (this can be skipped)

Installation

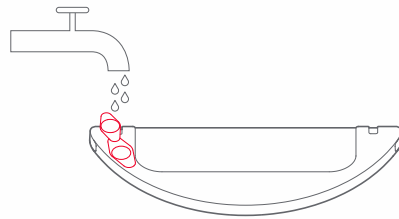


- WiFi indicator
- Slow flashing: Waiting for connection
 - Fast flashing: Connecting
 - Glowing: WiFi is connected

Note: When your mobile phone fails to connect to the machine, please refer to "User Manual" - "Reset WiFi"

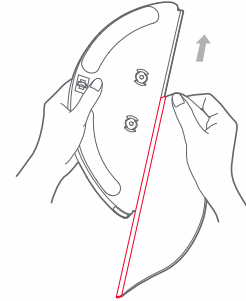
5 Install the mopping module

- ① Refill the water tank: open the water tank and reinstall the water tank cover after refilling with tap water



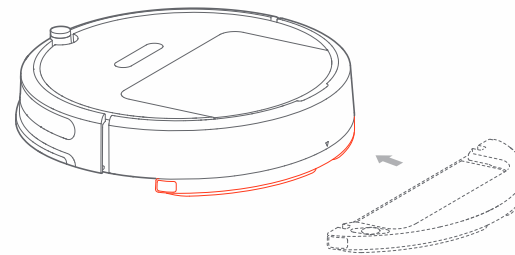
Note: Please be aware that some floor cleaners or disinfectants may cause blockage of the water tank filter

- ② Install the mopping cloth: dampen the mopping cloth and squeeze it dry. Insert it to the end along the slot of the water tank and stick it firmly



Note: Do not use the mopping module when there is nobody at home


- ③ Install the module: push the module in parallel along the alignment signs on the rear of the machine and on the mopping module. It is installed in place when you hear a "click" sound.



Note: To get better mopping effect, it is recommended to install the mopping module after cleaning for 3 times

Installation

6 Start cleaning

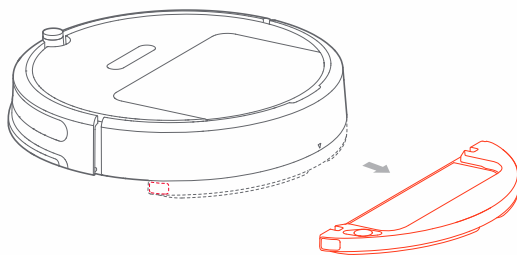
When the power light changes from white breathing flash to normally on, charging completes. Press the  key or use your mobile phone client to start cleaning

Note:

- Do not use the mopping module when there is nobody at home
- It is recommended to clean the mopping cloth every 30 minutes to ensure water flow rate and cleaning effect

7 Remove the mopping module

After the machine completes cleaning and returns to the dock charger, use your hands to push two buckles in two sides, drag the mopping module backwards and remove it



Note:

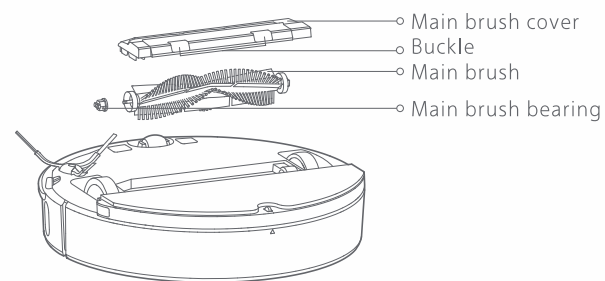
- Remove the mopping module when the machine is charging or left unused. Empty water residue in the water tank and clean the mopping cloth to prevent mildew or undesirable odor
- When the dock charger is placed on a wooden floor, always place a moisture-proof mat thereunder to avoid moisture on the floor

Routine Maintenance

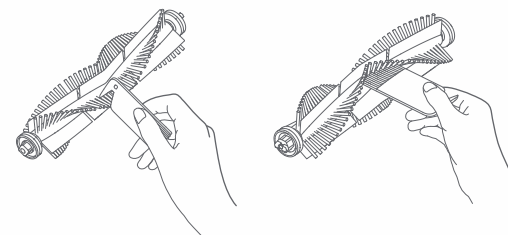
Main brush *Clean weekly

1. Flip the machine over and push the buckle to remove the main brush cover
2. Lift the main brush up and clean its bearing
3. Use the supplied main brush cleaning tool to cut off hair entangled onto the main brush
4. Reinstall the main brush and clamp tightly the buckle on the main brush cover

Note: It is recommended to replace the main brush every 6-12 months to ensure the cleaning effect



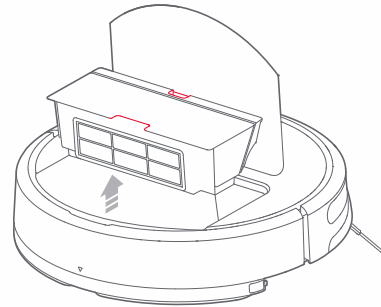
Use of main brush cleaning tool



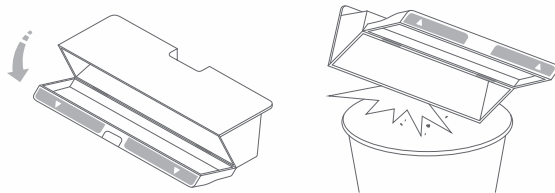
Routine Maintenance

Dust bin and strainer *Clean weekly

1. Remove the top cover of the machine and press the dust bin buckle to lift up and remove the dust bin

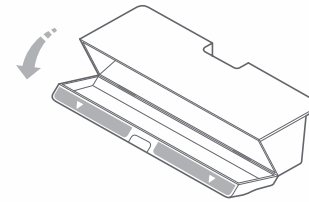


2. Open the dust bin cover as indicated by arrow, and empty trash out

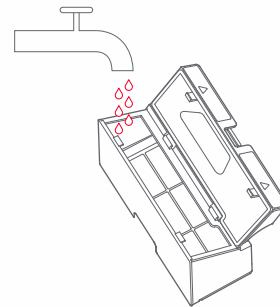


Clean the washable strainer *Clean every two weeks

1. Open the dust bin cover as indicated by arrow



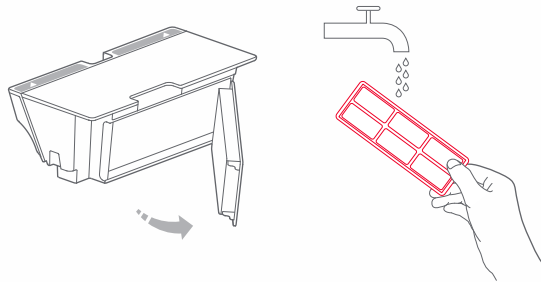
2. Fill the dust bin with clean water and close the cover. Shake the dust bin and then pour out the dirty water



Note: Please rinse with clean water without adding any detergents

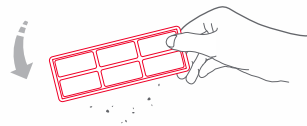
Routine Maintenance

3. Remove the filter and rinse with water



Note: Do not touch the surface of the filter with hands, brushes or sharp objects so as to avoid damaging the filter

4. Rinse repeatedly and lightly pat the filter to remove any dirt. Continue until it is clean



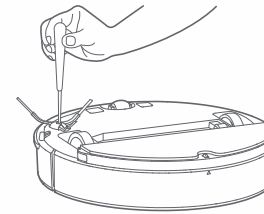
5. Dry the filter thoroughly and reinstall it before use

Note:
• Always dry the filter thoroughly before use (dry for at least 24 hours)
• It is recommended to alternate between two strainers

Side brush *Clean monthly

1. Flip the machine over to remove the fixing screw on the side brush
2. Remove and clean the side brush
3. Reinstall the side brush and tighten the screw

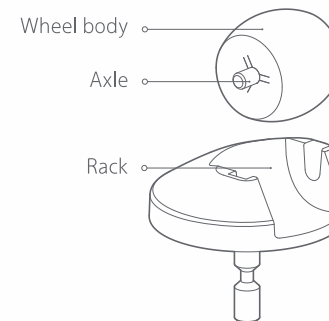
Note: It is recommended to replace the side brush every 3-6 months to ensure the cleaning effect



Omni-directional wheel *Clean monthly

1. Flip the machine over and lift the omni-directional wheel up
2. Remove hair and dirt on the wheel body and axle
3. Reinstall the wheel body and press tightly

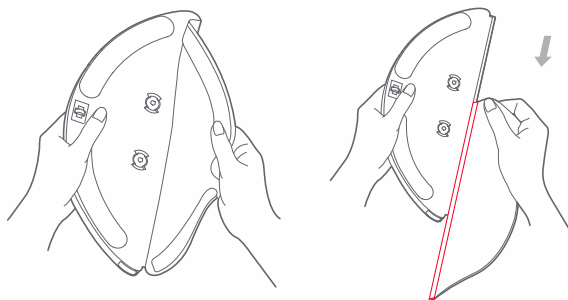
Note: flush it with tap water and reinstall after drying



Routine Maintenance

Mopping cloth *Clean after use

1. Remove the mopping cloth from the mopping module



2. Clean the mopping cloth and dry it

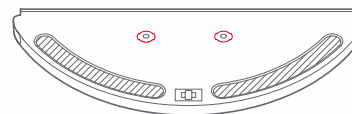
Note:

- Always remove the mopping cloth for cleaning and avoid backflow of dirty water that may block the filter
- If the mopping cloth is too dirty, the mopping effect may be affected. Please clean it before use
- It is recommended to replace the mopping cloth every 3–6 months to ensure the cleaning effect

Filter assembly *Replace every 1–3 months

1. Use your finger to remove the filter assemblies on the left and right along the notch
2. Install a new filter assembly in place

Note: It is recommended to replace a filter assembly every 1–3 months to ensure the cleaning effect, depending on the quality of water and frequency of use.



Battery

The machine is internally provided with a high performance lithium-ion rechargeable battery pack. To maintain battery performance, please keep the machine charged in normal use

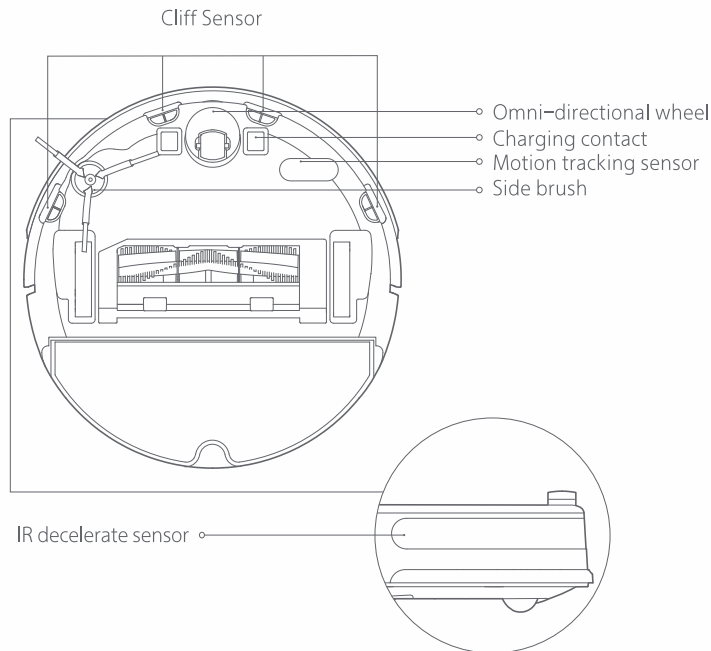
Note: If the machine is left unused for a prolonged period of time, please power it off before storage and charge it at least every 3 months to avoid degradation due to over-discharge

Routine Maintenance

Machine sensor *Clean monthly

Use soft dry cloth to wipe and clean each sensor, including:

1. Four cliff sensors on the bottom of the machine
2. IR decelerate sensor in front of the machine
3. Charging contact on the bottom of the machine




Dock charger *Clean monthly

Use soft dry cloth to clean the charging contact of the dock charger




Firmware update

You can use your mobile phone client to update firmware for the machine. Please connect it to the dock charger and ensure that the battery capacity is more than 20% before update. The power indicator is fast flashing in white during firmware update

Reset system

When pressing keys makes no response or the machine cannot be shut down, please try to reset the system by pressing the  key; the machine will be restarted automatically after resetting

Restoring to Factory Defaults

If the system still doesn't work after resetting, please press and hold the    button simultaneously, until the system prompts for "Start restoring initial version". The machine will be restored to factory defaults in this way

Basic parameters

Machine

Name	Specs	Specs
Model	E2*****, (*can be 0 to 9, A to Z, a to z, "-", "_", "\", "/" or blank,for marketing purpose.)	E3*****, (*can be 0 to 9, A to Z, a to z, "-", "_", "\", "/" or blank,for marketing purpose.)
Outline Dimension	353x350x90.5mm	353x350x90.5mm
Battery	14.4V/2600mAh lithium battery	14.4V/5200mAh lithium battery
Weight	About 3.0kg	About 3.2kg
Wireless connection	WIFI Smart Connect	WIFI Smart Connect
Voltage rating	14.4VDC	14.4VDC
Power rating	54W	58W

Dock charger

Name	Specs
Model	CDZ03RR or CDZ04RR
Outline Dimension	151x130x98mm
Power rating	42W
Input rating	100-240VAC
Output rating	20VDC 1.8A
Frequency rating	50-60Hz

Troubleshooting

When a runtime error occurs, the power indicator flashes in red quickly and a voice prompt is given. Use the table below to solve the problem.

Fault display	Solution
Error 2: Please clean and lightly tap the bumper	The bumper is stuck. Please lightly and repeatedly tap the bumper to remove any foreign matter. If no foreign matter is found, please move the machine to a new location and start it;
Error 3: Please move the machine to a place near its original location and start it	The wheels are suspended. Please move the machine to a place near its original location;
Error 4: Please wipe the cliff sensor and move the machine to a place near its original location and start it	The machine is suspended. Please move it to a place near its original location and start it. This problem may also be caused when the cliff sensor is too dirty. Please wipe the cliff sensor to eliminate this problem;
Error 5: Please remove the main brush to clean the brush and bearing	The main brush may be entangled with foreign matter. Please remove the main brush and its bearing for cleaning;
Error 6: Please remove and clean the side brush	The side brush may be entangled with foreign matter. Please remove and clean the side brush;
Error 7: Main wheel exception	Please check whether the main wheel is entangled with foreign matter or move the machine to a place near its original location and start it;
Error 8: Please clear obstacles around the machine	The machine may get stuck or caught on objects. Please clear obstacles around the machine;
Error 9: Please reinstall the dust bin and filter	Please reinstall the dust bin and filter and check that they are installed in place. If the problem persists, please try replacing the filter;
Error 10: Please check that the filter is dry or clean the filter	The filter is not completely dry. Please leave it to dry for at least 24 hours. The filter may be blocked. Please clean it. If the problem persists, please replace the filter;
Error 11: A high-intensity magnetic field is detected. Please keep far away from the virtual wall before starting	The machine is too close to the virtual wall when starting up. Please move it to a new location and start it;

Troubleshooting

Error 12: Battery level is too low. Please recharge	Low battery. Please charge it before use;
Error 13: Charging error. Please clean the charging contact areas	Please use a dry cloth to wipe the charging contact of the machine and the charging tab of the dock charger;
Error 14: Battery error	The battery temperature is too high or too low. Please wait until the battery temperature is normal before use;
Error 17: Side brush module error. Please try to reset the system	A malfunction has occurred with the side brush module. Please try resetting the system;
Error 18: Vacuum cleaner fan error. Please try to reset the system	A malfunction has occurred with the suction fan. Please try resetting the system;
Error 20: Please clean the motion tracking sensor and place the machine back to its original location and start it	The motion tracking sensor may be dirty or blocked. Please use a dry cloth to wipe the motion tracking sensor and place the machine back to its original location and start it;
Error 23: Please clear the signal emission area of the dock charger	The dock charger is blocked by dust or foreign matter. Please remove it.
Internal error, please reset the system	Malfunction due to internal error. Please try to reset the system.

Notes:

1. Resetting the system may solve some problems
2. Error 1, error 15, error 16, error 19, error 21 and error 22 are error codes for other models and are not applicable to this machine

If the problem persists after using the recommendations in the table above, contact Roborock at 400-900-1755 or scan the QR code below to access Roborock's official WeChat account



Scan the QR code for more information or support

EU Declaration of Conformity

Hereby we:

Name of manufacturer	Beijing Roborock Technology Co.,Ltd.
Address	Floor6,Suite6016,6017,6018,BuildingC,Kangjian Baosheng Plaza, No.8 Heiquan Road,Haidian District, Beijing,P.R.CHINA

declare that this DoC is issued under our sole responsibility and that the products:

Product description	Robotic Vacuum Cleaner and Accessories
Type(model) designation(s)	E2***** ,E3***** (* can be 0 to 9, A to Z, a to z, "-", "_", "\", "/" or blank, for marketing purpose.)

are in conformity and verified through testing with the provision of the following EU directives:

<p>RED Directive 2014/53/EU Article 3.1 a): Safety&Health</p> <ol style="list-style-type: none"> 1. EN 60335-1:2012 + A11:2014 +AC:2014 + A13:2017 2. EN 60335-2-2:2010 + A11:2012 + A1:2013 3. 1999/519/EC 4. EN 62311:2008 5. EN 62233:2008 	<ol style="list-style-type: none"> 1. Household and similar electrical appliances–Safety–Part 1: General requirements 2. Household and similar electrical appliances–Safety–Part 2–2: Particular requirements for vacuum cleaners and water suction cleaning appliance 3. COUNCIL RECOMMENDATION of 12 July 1999 on the limitation of exposure of the general public to electromagnetic fields (0 Hz to 300 GHz) 4. Assessment of electronic and electrical equipment related to human exposure restrictions for electromagnetic fields (0 Hz – 300 GHz) 5. Measurement methods for electromagnetic fields of household appliance and similar apparatus with regard to human exposure
--	--

EU Declaration of Conformity

<p>RED Directive 2014/53/EU Article 3.1 b): EMC</p> <ol style="list-style-type: none"> 1. Draft EN 301 489-1 V2.2.0 2. Draft EN 301 489-17 V3.2.0 3. EN 55014-1:2017 4. EN 55014-2: 2015 5. EN 61000-3-2: 2014 6. EN 61000-3-3: 2013 	<ol style="list-style-type: none"> 1. Electromagnetic Compatibility (EMC) standard for radio equipment and services; Part 1: Common technical requirements; Harmonized Standard covering the essential requirements of article 3.1(b) of Directive 2014/53/EU and the essential requirements of article 6 of Directive 2014/30/EU 2. Electromagnetic Compatibility (EMC) standard for radio equipment and services; Part 17: Specific conditions for Broadband Data Transmission Systems; Harmonized Standard covering the essential requirements of article 3.1(b) of Directive 2014/53/EU 3. Electromagnetic Compatibility-Requirements for household appliances, electric tools and similar apparatus Part 1: Emission 4. Electromagnetic compatibility – Requirements for household appliances, electric tools and similar apparatus Part 2: Immunity – Product family standard 5. Electromagnetic compatibility (EMC) – Part 3-2: Limits – Limits for harmonic current emissions (equipment input current \leq 16 A per phase). 6. Electromagnetic compatibility (EMC) – Part 3-3: Limits – Limitation of voltage changes, voltage fluctuations and flicker in public low-voltage supply systems, for equipment with rated current \leq 16 A per phase and not subject to conditional connection.
<p>RED Directive 2014/53/EU Article 3.2: Radio Spectrum EN 300 328 V2.1.1</p>	<p>Wideband transmission systems; Data transmission equipment operating in the 2,4 GHz ISM band and using wide band modulation techniques; Harmonized Standard covering the essential requirements of article 3.2 of Directive 2014/53/EU</p>
<p>ROHS Directive 2011/65/EU EN 62321: 2009</p>	<p>Electro technical products – Determination of levels of six regulated substances (lead, mercury, cadmium, hexavalent chromium, polybrominated biphenyls, polybrominated diphenyl ethers)</p>

Product description	Dock Charger and Accessories
Type(model) designation(s)	Dock Charger, models: CDZ03RR or CDZ04RR.

are in conformity and verified through testing with the provision of the following EU directives:

EU Declaration of Conformity

<p>Low Voltage Directive 2014/35/EU 1. EN 60335-1:2012 + A11:2014 2. EN 60335-2-29:2004 + A2:2009 3. EN 62233:2008</p>	<p>1. Household and similar electrical appliances–Safety–Part 1: General requirements 2. Household and similar electrical appliances–Safety–Part 2–29: Particular requirements for battery chargers 3. Measurement methods for electromagnetic fields of household appliance and similar apparatus with regard to human exposure</p>
<p>EMC Directive 2014/30/EU 1. EN 55014-1:2017 2. EN 55014-2: 2015 3. EN 61000-3-2: 2014 4. EN 61000-3-3: 2013</p>	<p>1. Electromagnetic Compatibility–Requirements for household appliances, electric tools and similar apparatus Part 1: Emission 2. Electromagnetic compatibility – Requirements for household appliances, electric tools and similar apparatus Part 2: Immunity – Product family standard 3. Electromagnetic compatibility (EMC) – Part 3–2: Limits – Limits for harmonic current emissions (equipment input current \leq 16 A per phase). 4. Electromagnetic compatibility (EMC) – Part 3–3: Limits – Limitation of voltage changes, voltage fluctuations and flicker in public low-voltage supply systems, for equipment with rated current \leq 16 A per phase</p>
<p>ROHS Directive 2011/65/EU EN 62321: 2009</p>	<p>Electro technical products – Determination of levels of six regulated substances(lead, mercury, cadmium, hexavalent chromium, polybrominated biphenyls, polybrominated diphenyl ethers)</p>

Person responsible for making this declaration:

Printed name: Rui.Shen

Position/Title: Quality Director

Signature: *Rui Shen*

Date of issue: Jun 14, 2018

WEEE Information

Correct Disposal of this product . This marking indicates that this product should not be disposed with other household wastes throughout the EU. To prevent possible harm to the environment or human health from uncontrolled waste disposal, recycle it responsibly to promote the sustainable reuse of material resources. To return your used device, please use the return and collection systems or contact the retailer where the product was purchased. They can take this product for environmental safe recycling.

Korrekte Entsorgung dieses Produkts Innerhalb der EU weist dieses Symbol darauf hin, dass dieses Produkt nicht über den Hausmüll entsorgt werden darf. Altgeräte enthalten wertvolle recyclingfähige Materialien, die einer Wiederverwertung zugeführt werden sollten und um der Umwelt bzw. der menschlichen Gesundheit nicht durch unkontrollierte Müllbeseitigung zu schaden. Bitte entsorgen Sie Altgeräte deshalb über geeignete Sammelsysteme oder senden Sie das Gerät zur Entsorgung an die Stelle, bei der Sie es gekauft haben. Diese wird dann das Gerät der stofflichen Verwertung zuführen.



Warranty Information

The seller provides warranty in accordance with the legislation of the customer's own country of residence, with a minimum of 1 year, starting from the date on which the appliance is sold to the end user.

The warranty only covers defects in material or workmanship.

The repairs under warranty may only be carried out by an authorized service centre. When making a claim under the warranty, the original bill of purchase (with purchase date) must be submitted.

The warranty will not apply in cases of:

Normal wear and tear

Incorrect use, e.g. overloading of the appliance, use of non-approved accessories Use of force, damage caused by external influences Damage caused by non-observance of the user manual, e.g. connection to an unsuitable mains supply or non-compliance with the installation instructions

Partially or completely dismantled appliances



Robotic Vacuum Cleaner

Manufacturer: Beijing Roborock Technology Co., Ltd.

Product Model: E2***** ,E3***** (*can be 0 to 9, A to Z, a to z, "-", "_", "\", "/" or blank, for marketing purpose.)

Address of Manufacturer: Floor 6, Suite 6016, 6017, 6018, Building C, Kangjian Baosheng Plaza,
No. 8 Heiquan Road, Haidian District, Beijing, P.R. CHINA

If you need after-sales service, please visit Roborock's official website at www.roborock.com

or call the customer service at 400-900-1755

or follow Roborock's official WeChat account at: 石头科技roborock