

Pos.	Description		Measurement	Quantity	Item
1	Front part of left sleeping house		1046 x 550 x 25 mm	1	55968-10
2	Front part of right sleeping house		1046 x 550 x 25 mm	1	55968-11
3	Back part of left sleeping house		1046 x 550 x 25 mm	1	55968-20
4	Back part of right sleeping house		1046 x 550 x 25 mm	1	55968-21
5	Side wall of left and right sleeping house		853 x 544 x 35 mm	2	55968-30
6	Right side wall of left sleeping house		501 x 544 x 35 mm	1	55968-31
7	Left side wall of right sleeping house		501 x 544 x 35 mm	1	55968-32
8	Roof plate		674 x 393 x 35 mm	4	55968-50
9	Ridge		700 x 82 x 61 mm	2	55968-51
10	Drawer		477 x 566 x 65 mm	2	55968-40
11	Ramp		657 x 200 x 23 mm	2	55968-41
12	Perch		497 x 35 x 30 mm	2	55968-43
13	Front part of the left and back part of the right nesting box		330 x 296 x 30 mm	2	55968-70
14	Back part of the left and front part of the right nesting box		330 x 296 x 30 mm	2	55968-71
15	Side wall of nesting box		510 x 249 x 22 mm	2	55968-72
16	Roof plate of nesting box		590 x 363 x 30 mm	2	55968-73
17	Bottom plate of nesting box		507 x 329 x 15 mm	2	55968-74
18	Divider of nesting box		336 x 205 x 5 mm	2	55968-75

Pos.	Description		Measurement	Quantity	Item
19	Front part of left enclosure		660 × 710 × 25 mm	1	55968-12
20	Front part of right enclosure		660 × 710 × 25 mm	1	55968-13
21	Back part of left enclosure		660 × 710 × 25 mm	1	55968-22
22	Back part of right enclosure		660 × 710 × 25 mm	1	55968-23
23	Divider for enclosure		544 × 710 × 25 mm	1	55968-35
24	Roof part of enclosure, left		590 × 438 × 25 mm	1	55968-56
25	Roof part of enclosure, right		878 × 590 × 25 mm	1	55968-55
26	Support for ramp		235 × 35 × 25 mm	2	55968-42

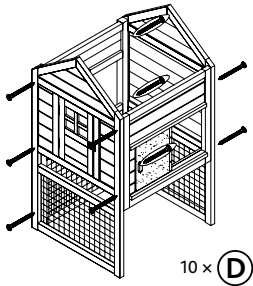
Pos.	Description		Size	Quantity	Item	
A	Thread screw with nut		∅ 6 × 60 mm	8+1	55968-60	
B	Thread screw with nut		∅ 6 × 50 mm	8+1		
C	Countersunk screw		∅ 4 × 60 mm	12+1		
D	Countersunk screw		∅ 4 × 50 mm	38+1		
E	Countersunk screw		∅ 4 × 35 mm	16+1		
F	Countersunk screw		∅ 4 × 25 mm	8+1		
G	Countersunk screw		∅ 3 × 16 mm	16+1		
H	Right/left check strap		plus 8 screws I for each	28 cm	1/1	6235-60 6235-61
I	Lenshead screw			∅ 3 × 10 mm	16+1	

Other parts already assembled (spare parts separately available)

Description	Size	Quantity	Item
Hinges for roofs	7.6 cm	2	55968-60

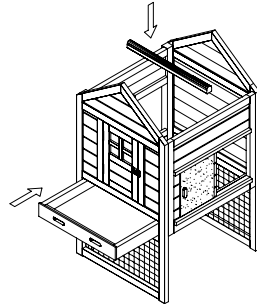
Made in China.

Fix the front and back parts (1/3) of the left sleeping house to the side walls (5/6).



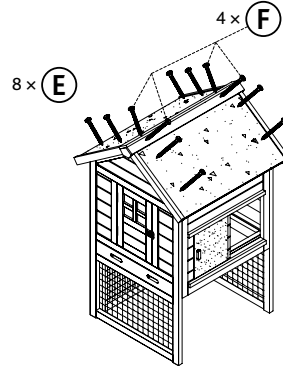
1.

Insert the perch (12) and the drawer (10).



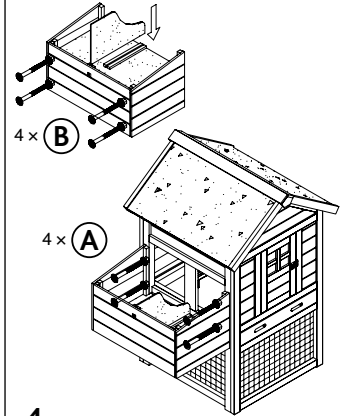
2.

Afterwards fix the roof plates (8) and the ridge (9) to the sleeping house.



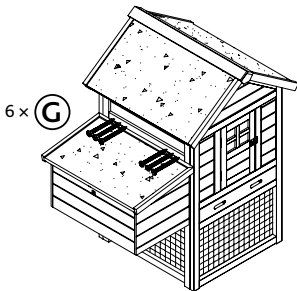
3.

Screw the front and back parts of the nesting box (13/14) to the side wall (15) and the bottom plate (17) of the nesting box. Insert the divider (18).



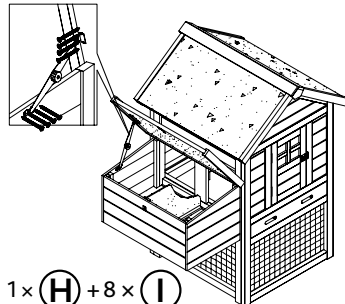
4.

Fix the roof plate (16) to the nesting box.



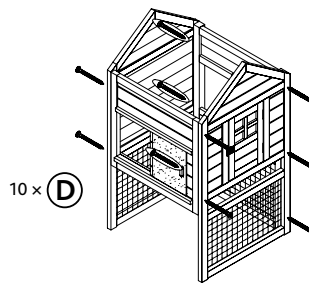
5.

Now attach the left check strap (H) to the roof plate and the side wall.



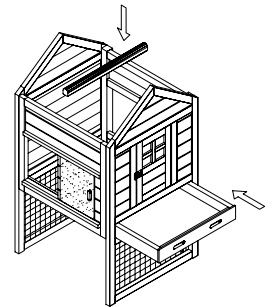
6.

Repeat the same steps for the right sleeping house. First fix the front and back parts (2/4) to the side walls (5/7).



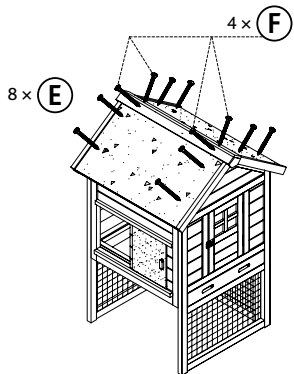
7.

Insert the perch (12) and the drawer (10).



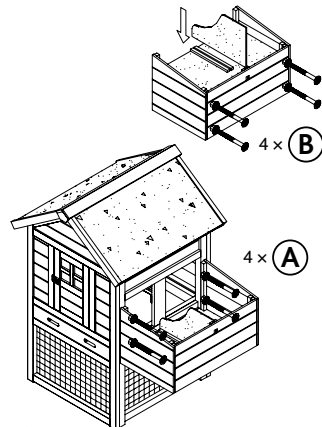
8.

Afterwards fix the roof plates (8) and the ridge (9) to the right sleeping house.



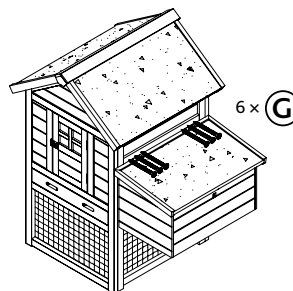
9.

Screw the front and back parts of the nesting box (13/14) to the side wall (15) and the bottom plate (17) of the nesting box. Insert the divider (18).



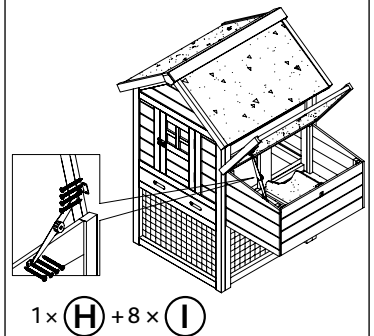
10.

Fix the roof plate (16) to the nesting box.



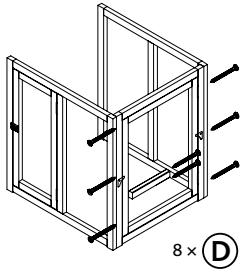
11.

Now attach the right check strap (H) to the roof plate and the side wall.



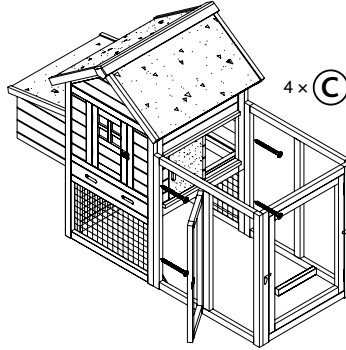
12.

Start mounting the left enclosure. First screw the front part (19) to the divider (23) and the back wall (21). Fix the support for the ramp (26) to the back wall as shown in this picture.



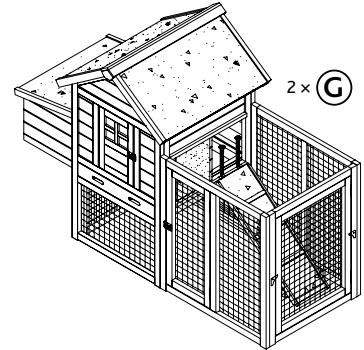
13.

Screw the left enclosure to the left sleeping house.



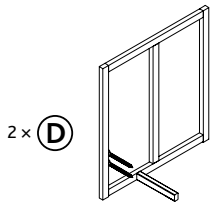
14.

Insert the ramp (11) and fix it to the house.



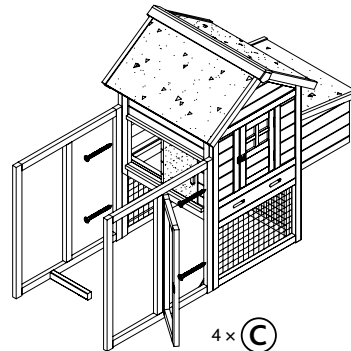
15.

First of all, when starting with the mounting of the right enclosure, fix the support for the ramp (26) to the back wall of the enclosure (22).



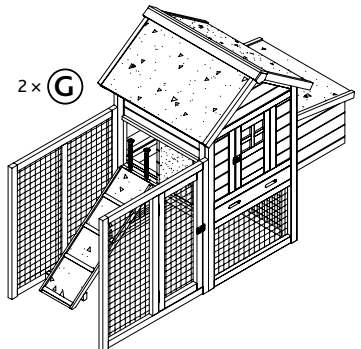
16.

Then screw the front part (20) and the back wall (22) to the right sleeping house



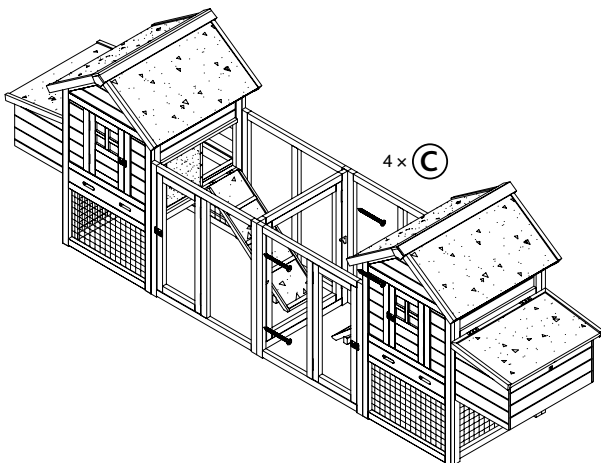
17.

Insert the ramp (11) and fix it to the house.



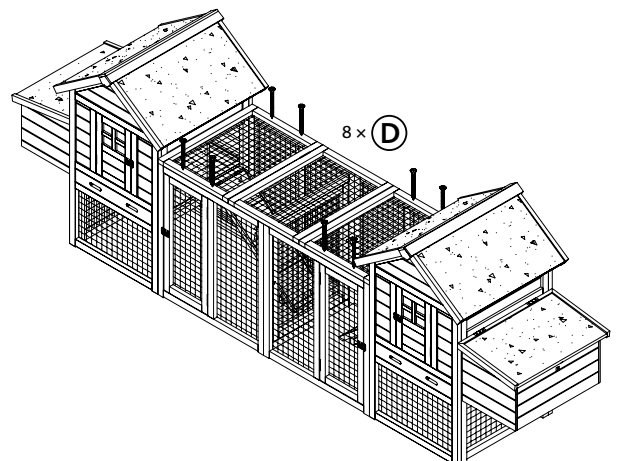
18.

Now screw both parts of the chicken coop together.



19.

At last fix the roof parts (24/25) to the enclosure.



20.