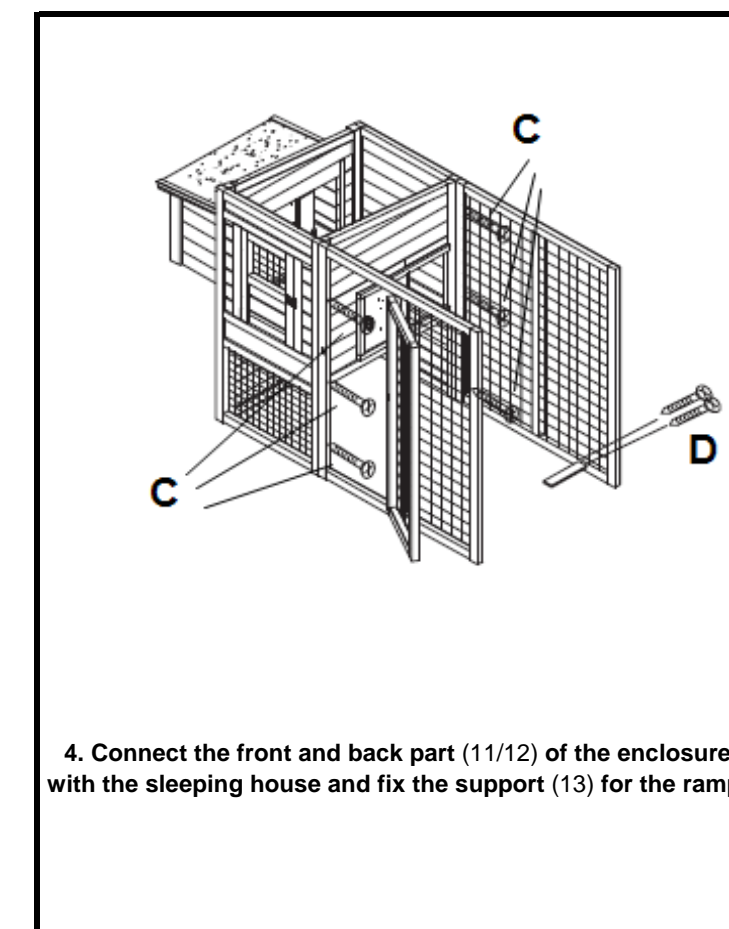
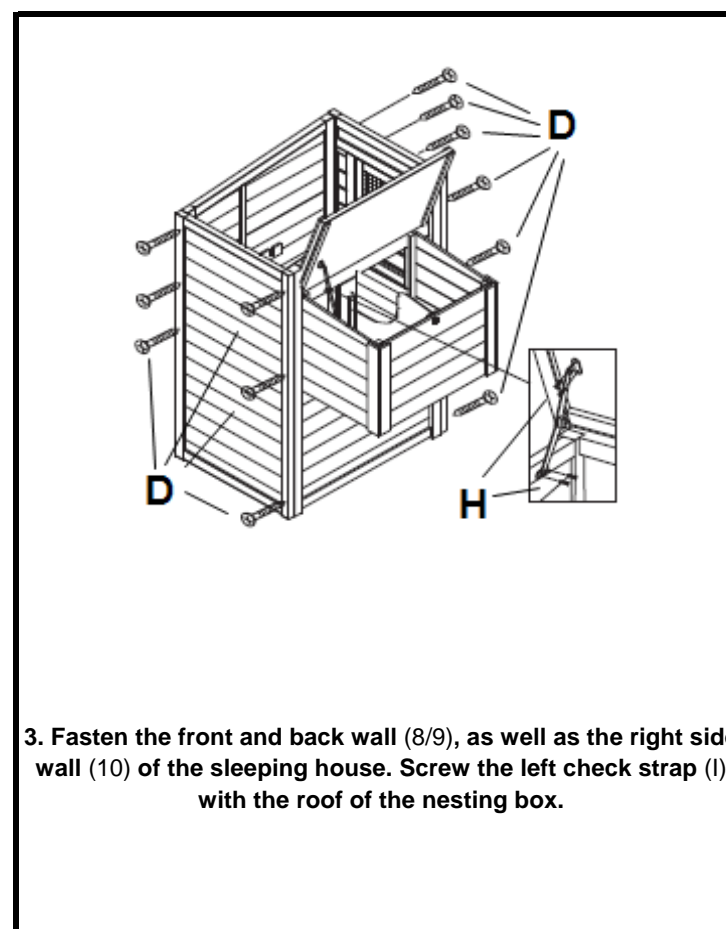
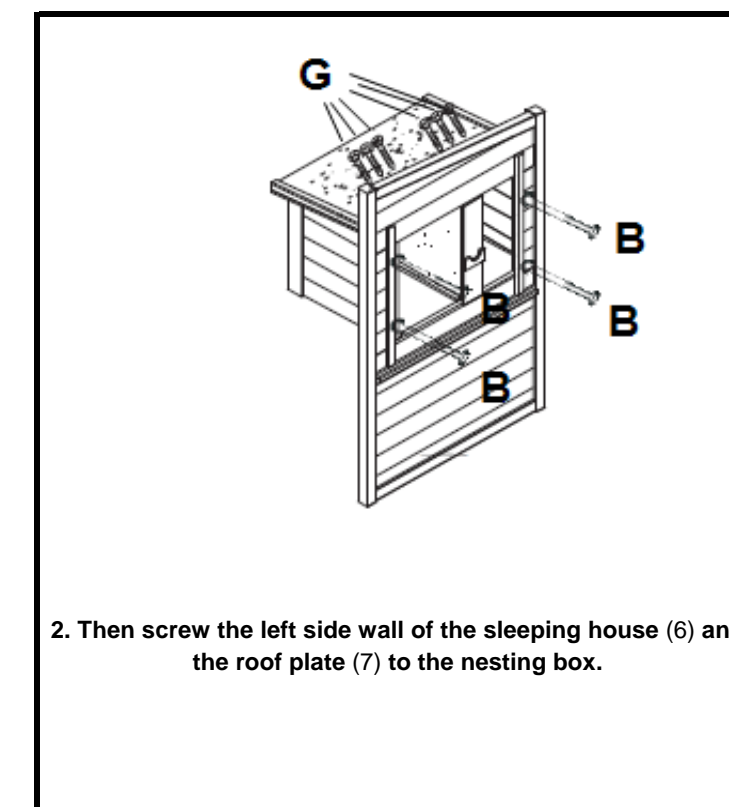
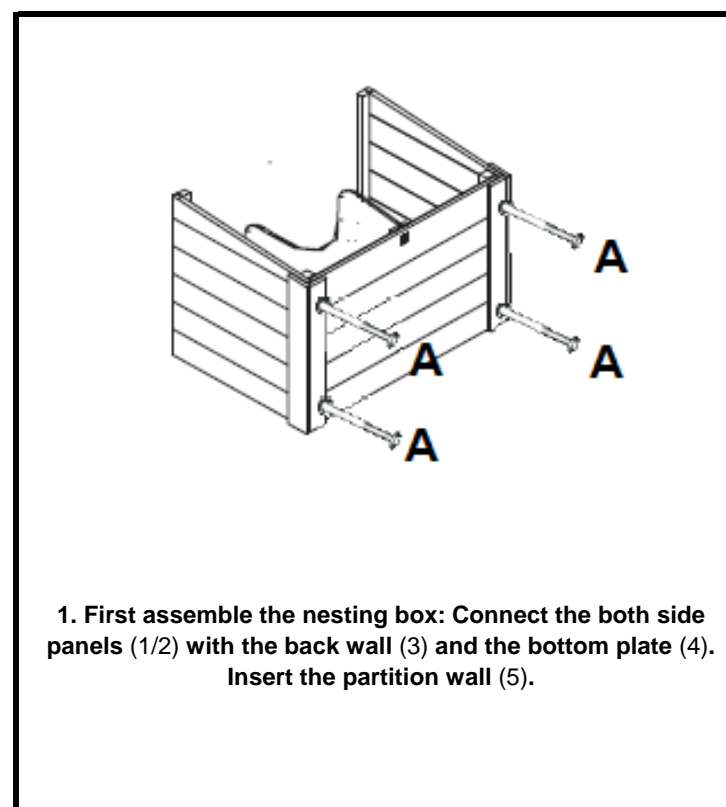


Item No.	"natura" Chicken Hutch		173 x 105 x 77 cm	
Pos. No.	Description	Measurement	Quantity	Item No.
Pos. 1	Side panel, nesting box, left	374 x 361 x 40 mm	1	55961-10
Pos. 2	Side panel, nesting box, right	374 x 361 x 40 mm	1	55961-11
Pos. 3	Back wall, nesting box	30 x 341 x 510 mm	1	55961-12
Pos. 4	Bottom plate, nesting box	338 x 15 x 487 mm	1	55961-13
Pos. 5	Partition wall, nesting box	304 x 339 x 5 mm	1	55961-14
Pos. 6	Wall, sleeping house, left	35 x 1018 x 650 mm	1	55961-20
Pos. 7	Roof plate, nesting box	382 x 30 x 576 mm	1	55961-15
Pos. 8	Front part, sleeping house	500 x 1018 x 25 mm	1	55961-21
Pos. 9	Back wall, sleeping house	500 x 959 x 25 mm	1	55961-22
Pos. 10	Wall, sleeping house, right	25 x 641 x 650 mm	1	55961-23
Pos. 11	Front part, enclosure	780 x 1018 x 25 mm	1	55961-30
Pos. 12	Back part, enclosure	780 x 959 x 25 mm	1	55961-31
Pos. 13	Support for ramp	50 x 20 x 235 mm	1	55961-40
Pos. 14	Ramp	731 x 20 x 235 mm	1	55961-41
Pos. 15	Side wall, enclosure, right	25 x 1018 x 650 mm	1	55961-32
Pos. 16	Chicken perch	∅ 40 x 445 mm	1	55961-42
Pos. 17	Drawer with plastic inlay	425 x 70 x 673 mm	1	55961-43
Pos. 18/19	Roof plate, left/right	580 x 35 x 775 mm 780 x 35 x 775 mm	1/1	55961-50 55961-51
Pos. 20/21	Battens for back wall	540 x 32 x 15 mm 740 x 32 x 15 mm	1/1	55961-44 55961-45
Pos. 22	Cover strip for roof plates	50 x 10 x 705 mm	1	55961-52



Small parts					
A	Thread screw with nut		M6 x 50	5	55961-60
B			M6 x 40	5	
C	Countersunk screw		M4 x 55	7	
D			M4 x 50	21	
E			M4 x 35	9	
F			M4 x 25	5	
G			M3 x 18	19	
H			M3 x 16	15	
I	Check strap, left, right			2 / 1	

