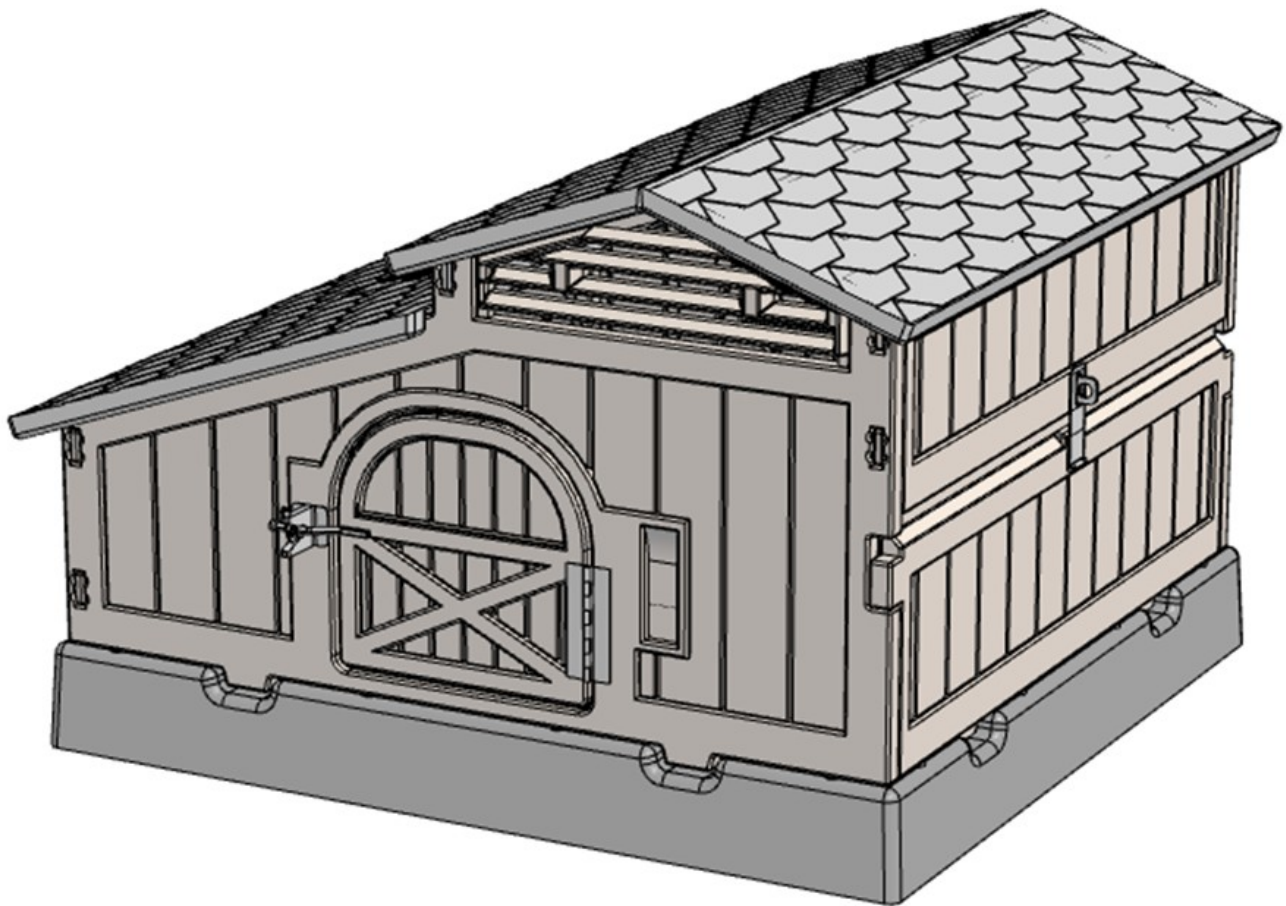


SNAP LOCK

Chicken Coops

BY **Formex**®

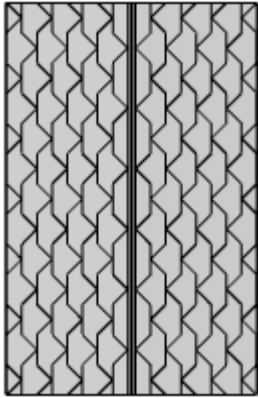


Instruction Manual
for Snap Lock Chicken Coop Model SM11

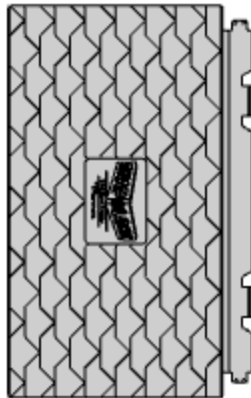
PARTS LIST FOR SMALL MODEL SNAP LOCK CHICKEN COOP

This kit for the Small Model SNAP LOCK CHICKEN COOP includes the following:

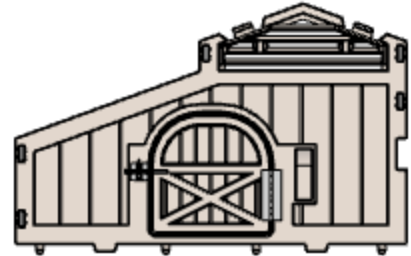
- one envelope containing instructions, the warranty, five nylon ratchet fasteners, two #10x1-1/4" screws and four carabiners.
- It also includes all the parts listed on this page.



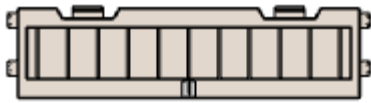
Hip Roof (1)



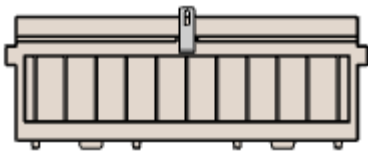
Lid Roof (1)



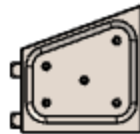
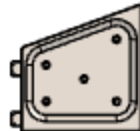
Front Wall (1)



Upper Side Wall (1)



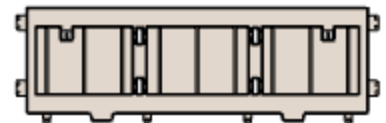
Removable Panel (1)



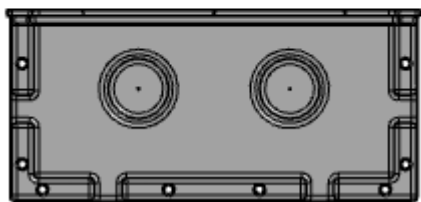
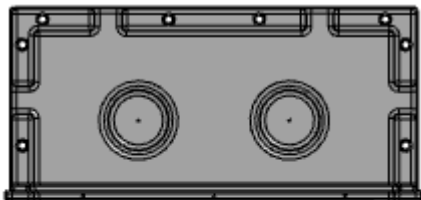
Nest Dividers (2)



Back Wall (1)



Nest Side Wall (1)



Coop Base halves (2)
(one "A" side and one "B")



Litter Tray (1)

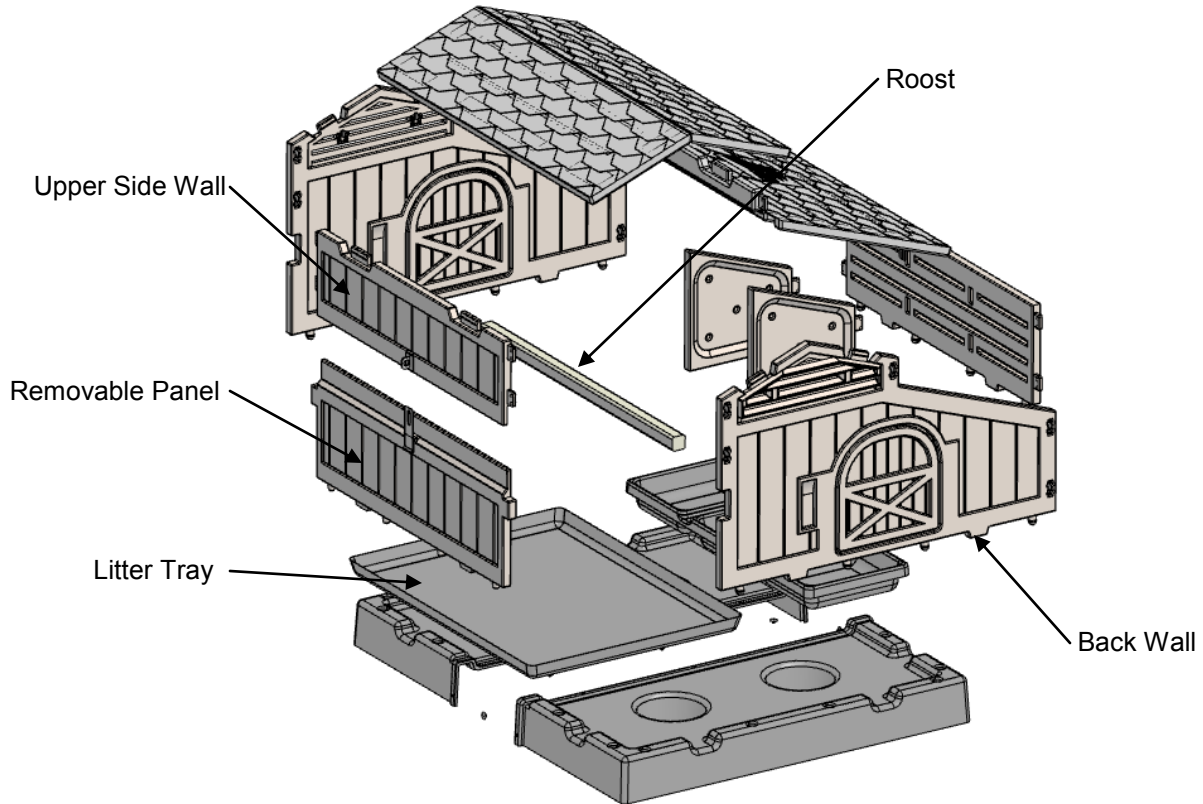
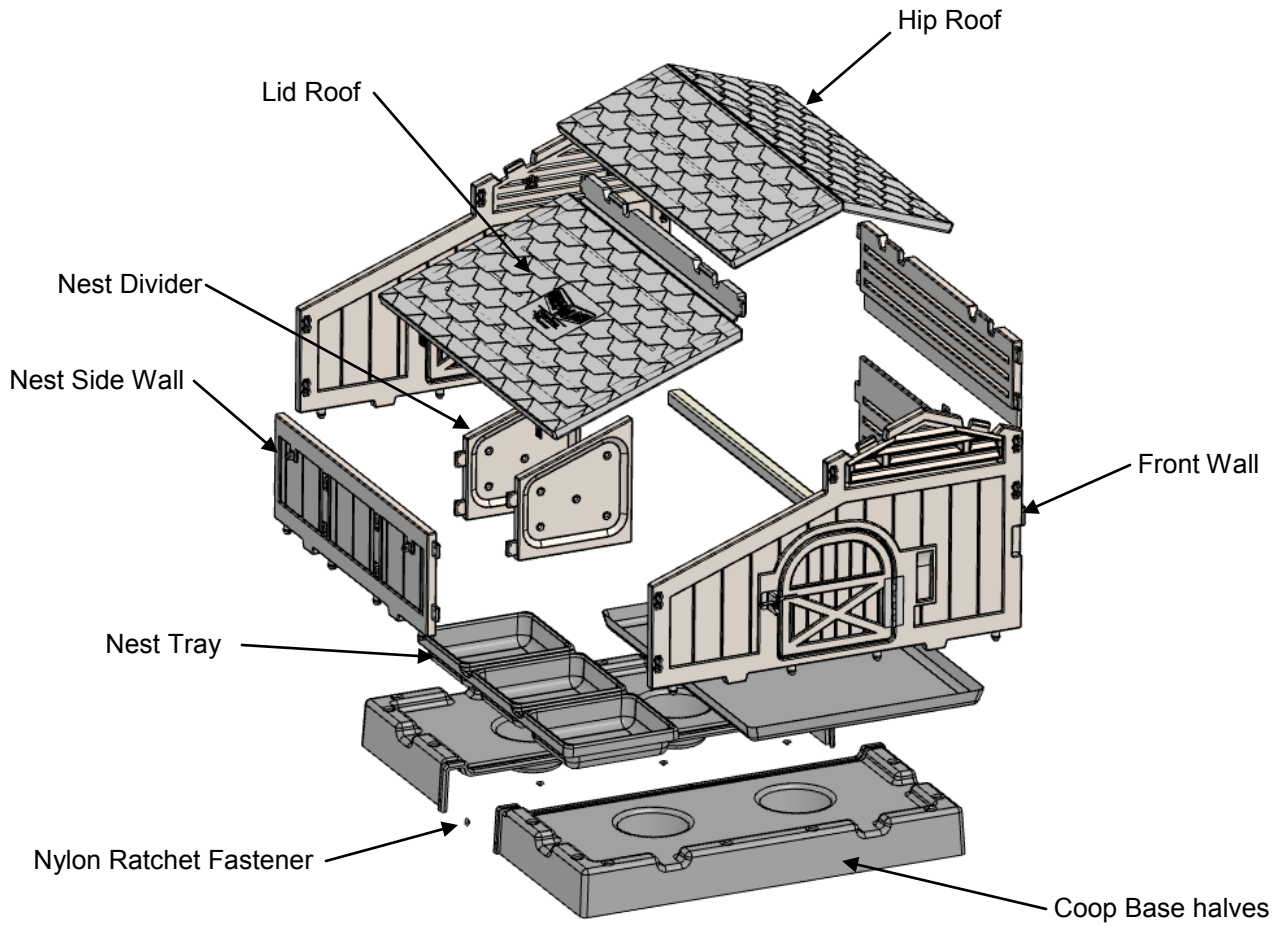


Nest Tray (1)



Roost (1)

Exploded Views with Part Descriptions



Coop Base Assembly

Step 1: Assemble the Coop Base. Start by flipping both halves upside down (Fig.a), so that you can see the underside of the coop base. On the underside, you will see that one Coop Base half is marked with an “A” and one is marked with a “B”.

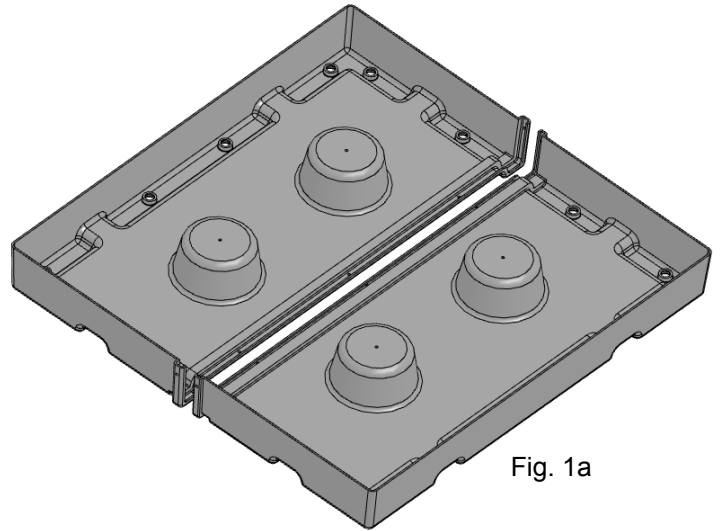


Fig. 1a

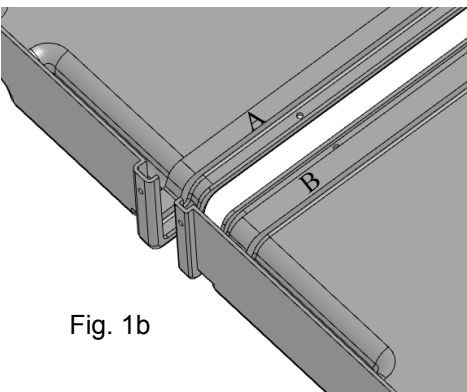


Fig. 1b

The “A” half has the larger channel and the “B” half has the smaller channel. (Fig. 1b)

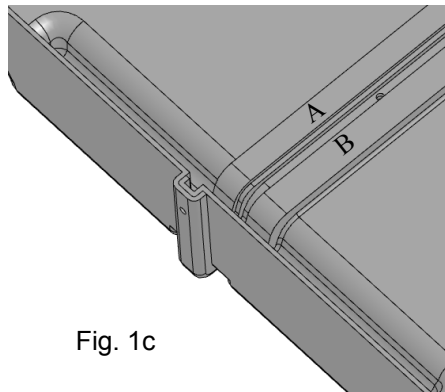


Fig. 1c

Place the “B” side’s channel into the “A” side’s channel, overlapping both halves together. There are five 1/4” holes in both the channels that will line up when finished. (Fig. 1c)

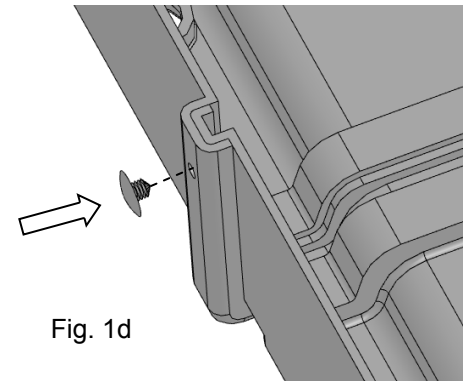


Fig. 1d

Take one of the five nylon ratchet fasteners and insert it through one of the side holes, being sure to penetrate both halves. Take the second fastener and do the same on the other side. (Fig. 1d)

Now you can flip the Coop Base over and insert the last three fasteners into the three 1/4” holes remaining (Fig. 1e). In order to make sure that you penetrate the “B” half, you may need to support the base from underneath, while you press down the fastener. Stacking two of the roosts and placing them underneath the Coop Base may help.

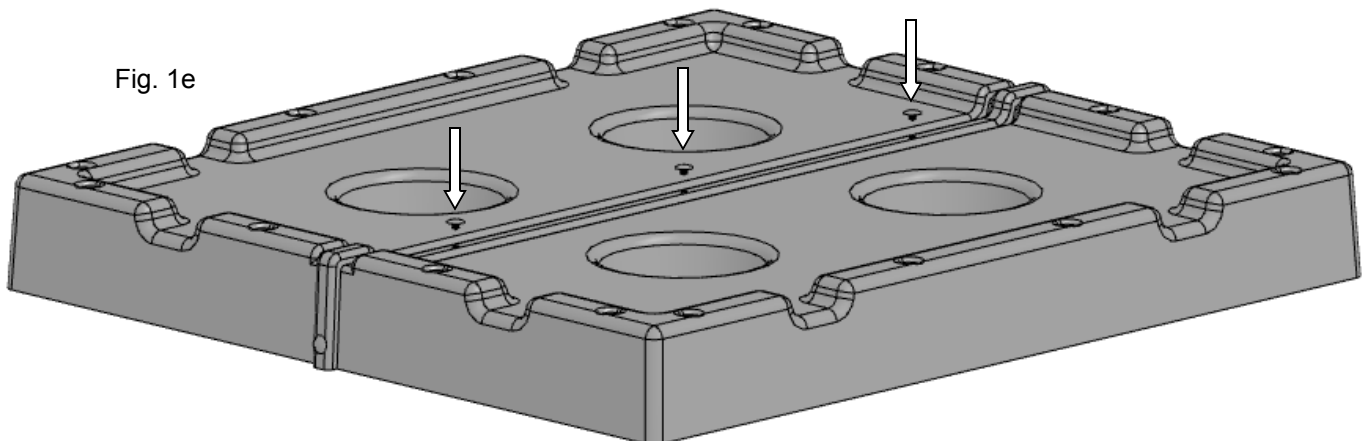
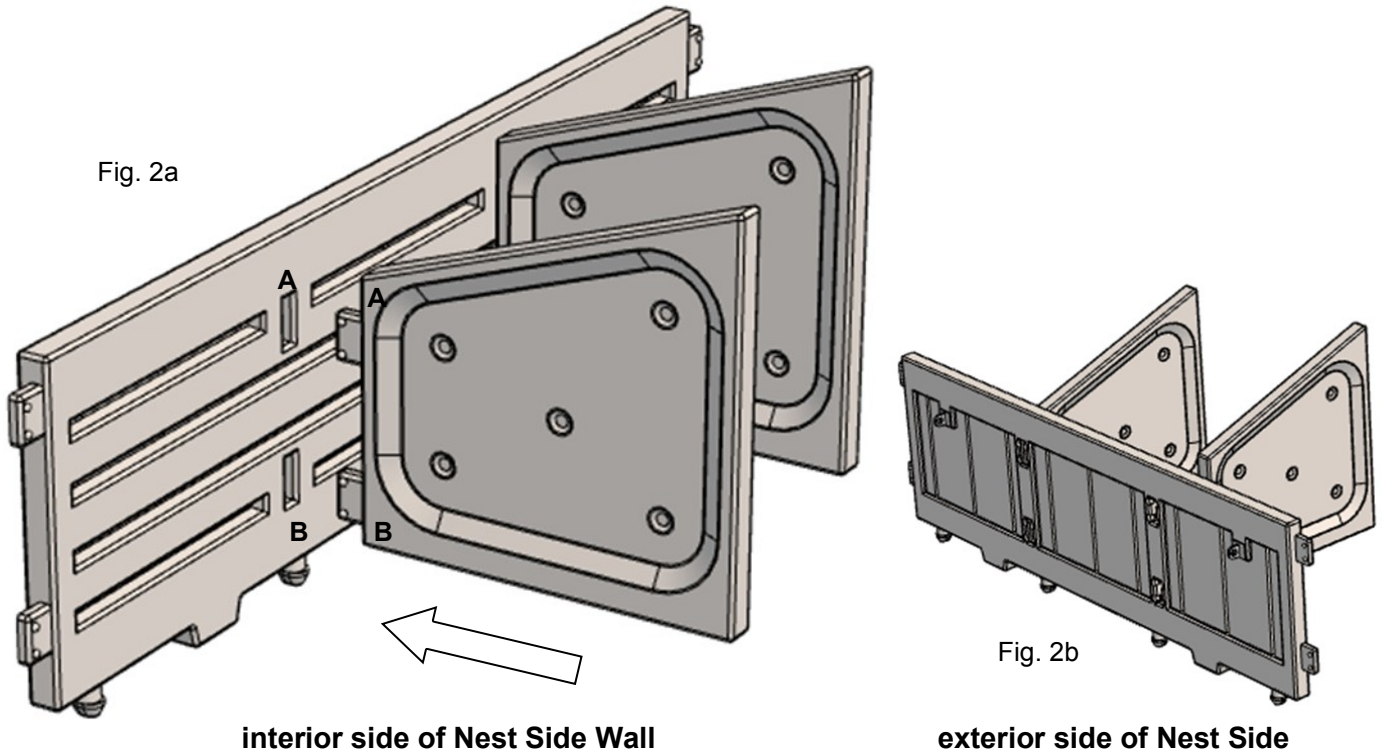


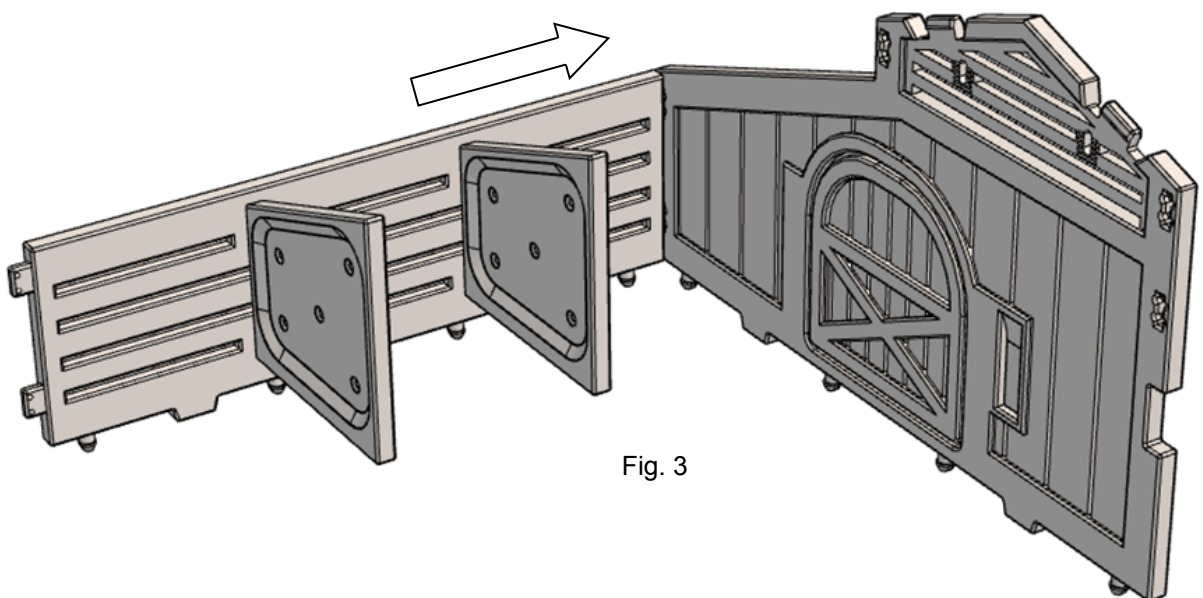
Fig. 1e

Coop Wall Assembly

Step 2: There is an "A" marked above the upper tab and a "B" below the lower tab on the Nest Dividers. Align this with the "A" above the upper slot and the "B" below the lower slot on the back side of Nest Side Wall (Fig. 2a) to insure that the Nest Dividers are not installed upside down. Assemble the two Nest Dividers to the Nest Side Wall by inserting the tabs on the Nest Dividers into the slots on the back side of the Nest Side Wall.



Step 3: Insert the two tabs on the Nest Side Wall into the two slots on the Back Wall. (Fig. 3)
Note: the Back Wall is the panel with the non-functioning door.



Coop Wall Assembly

Step 4: Insert the other two tabs on the Nest Side Wall into the two slots on the Front Wall. (Fig. 4)

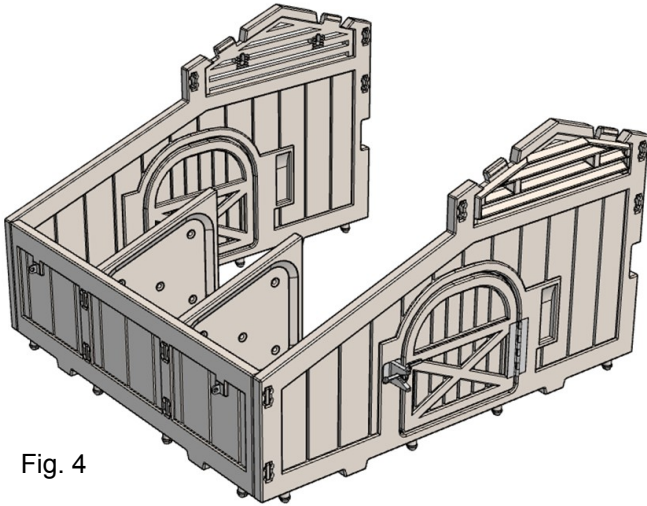


Fig. 4

Step 5: Assemble the Upper Side Wall to the Back Wall and the Front Wall (Fig. 5). Notice the hasp eye facing outwards and the tabs at the top of the Upper Side Wall.

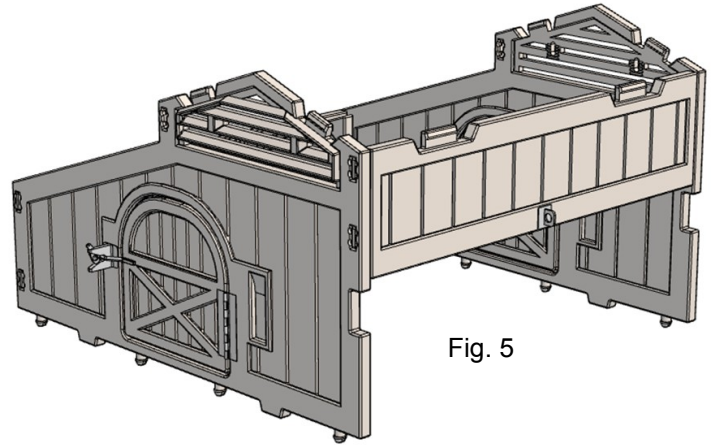


Fig. 5

Note: All hardware is mounted to the outside of the pan-

Step 6: Assemble the four walls to the Coop Base by aligning the pegs on the bottom of the walls with the corresponding holes in the Coop Base (Fig. 6). Please note that the Coop Base is not square and measures 40" by 37". Align the Front Wall with the 40" side of the Coop Base and all the pegs will line up.

Press down firmly on the walls, making sure that the head on every peg has fully penetrated the holes in the Coop Base and is snapped in.

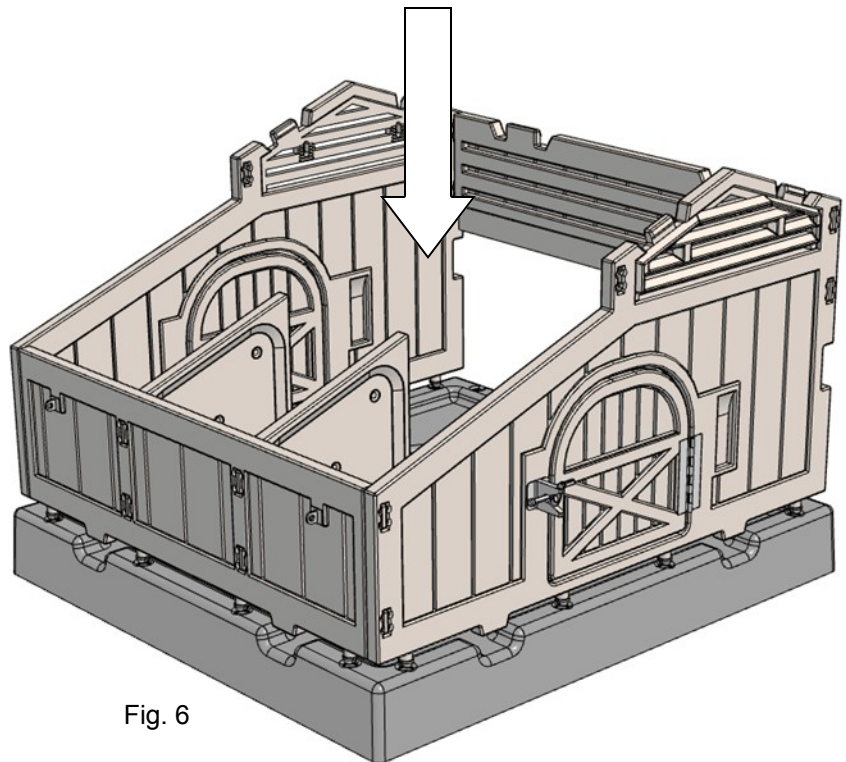


Fig. 6

Roof Assembly

Step 7: Assemble the Lid Roof by first folding it up at the hinge point (Fig. 7a), until it has enough clearance to insert the tab on each end into the slot in the Front Wall and the slot in the Back Wall.

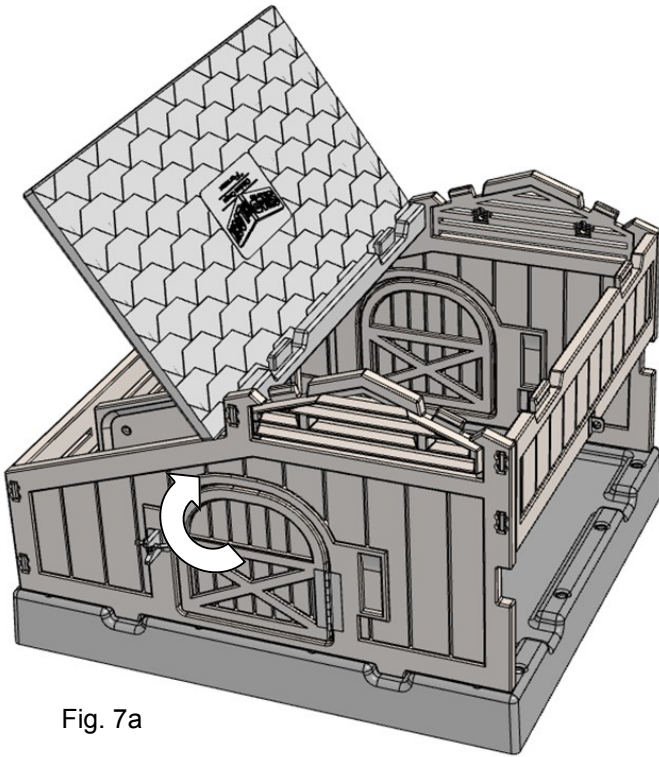


Fig. 7a

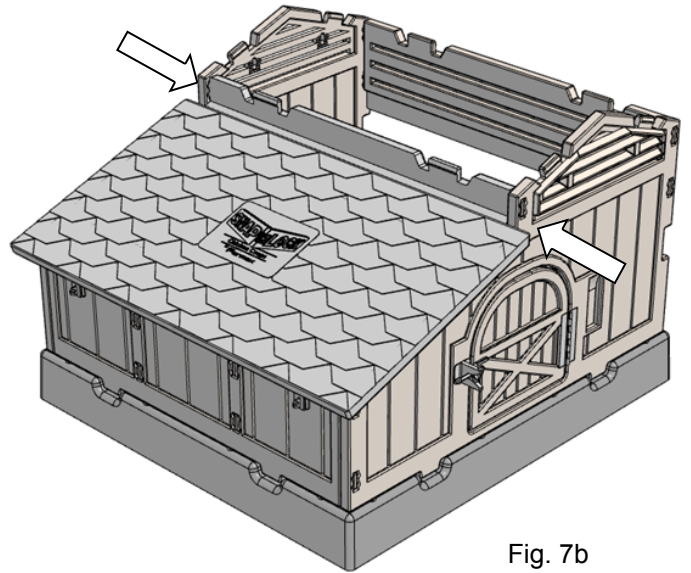


Fig. 7b

Step 8: The Hip Roof is installed by aligning four of locking tabs (one on the Front Wall, one on the Back Wall, two on the Lid Roof) to the four slots located on one side of the underneath of the Hip Roof and pressing down until all the tabs lock into place (Fig. 8a). Then press down on the other side of the Hip Roof (Fig. 8b), folding it down, until the other four tabs lock into the appropriate slots. (Fig. 8c)

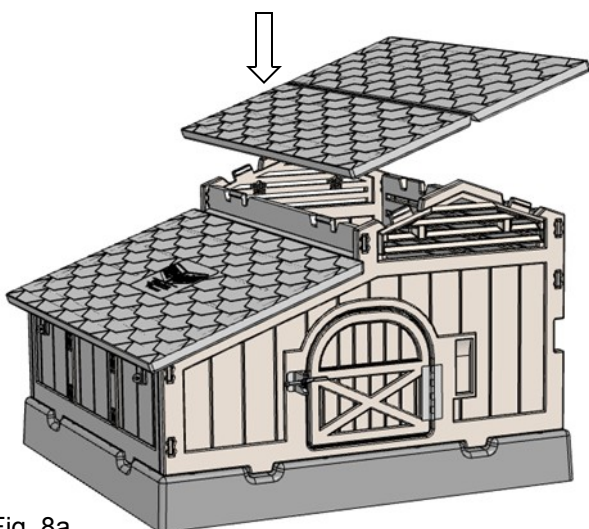


Fig. 8a

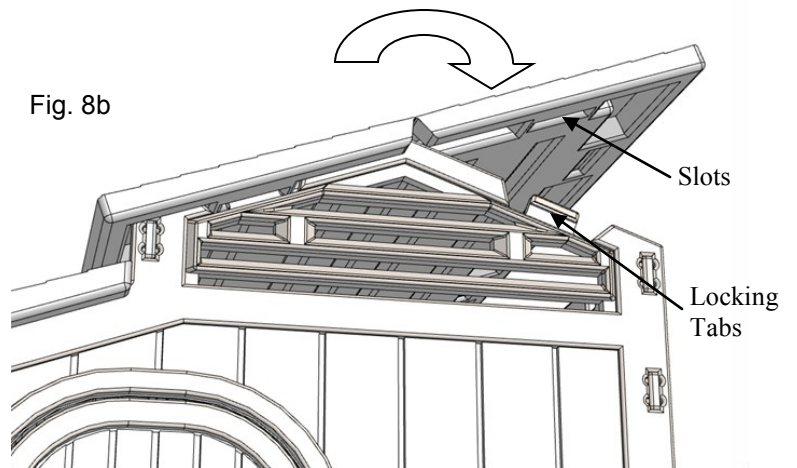


Fig. 8b

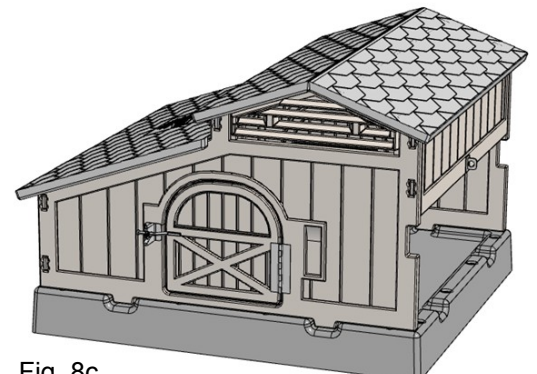


Fig. 8c

Litter Tray, Nest tray, & Roost

Step 9: Install the Nest Tray by sliding it underneath the Dividers. (Fig. 9)

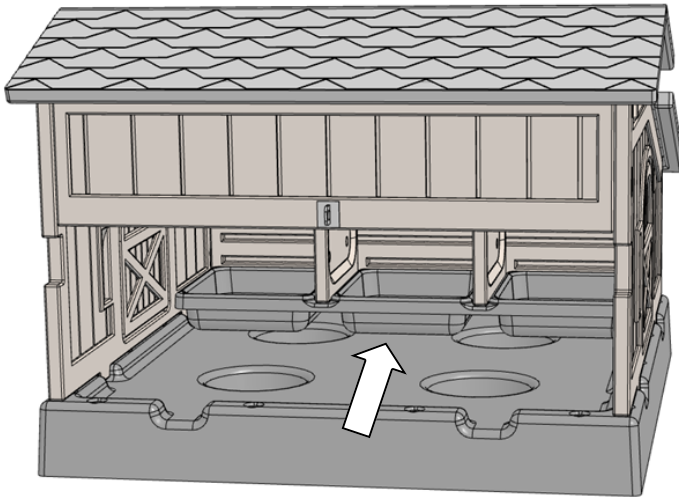


Fig. 9

Step 10: Install the Litter Tray by simply sliding it in. (Fig. 10)

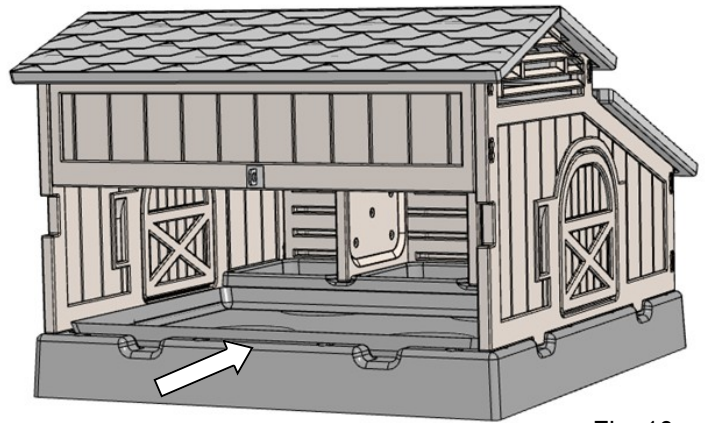


Fig. 10

Step 11: Install the Roost by first placing one end into the recess on a end panel, and then rotate the other end of the Roost until it is seated into the recess of the opposite panel. (Fig. 11a)

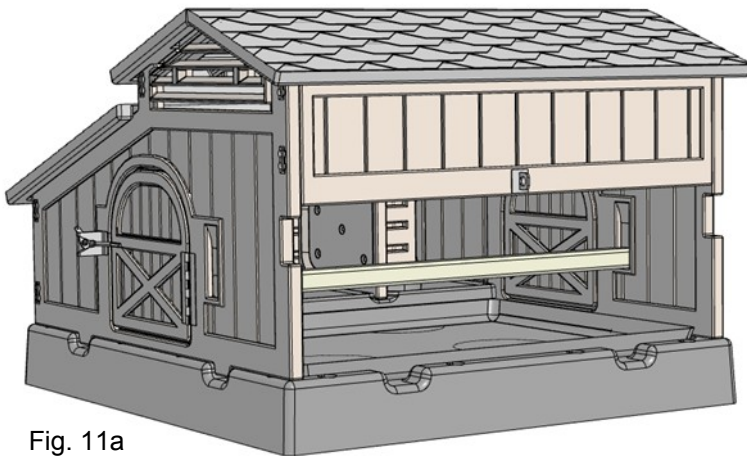


Fig. 11a

Note: Two extra screws have been included to provide you with the option of securing each end of the roost to the end panels. There should be no need in drilling any holes. Just drive the screw from the outside of the wall, through the wall and into the end of the roost (Fig 11b). Since the walls are made of High Density Polyethylene, it will seal itself around the screw preventing any leaks.

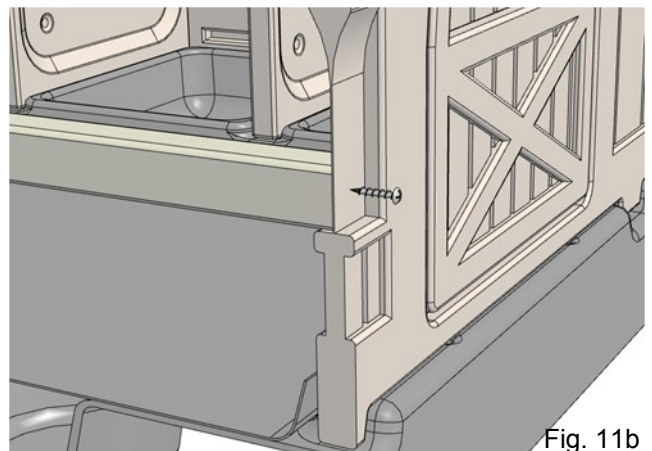


Fig. 11b

Removable Panel

Fig. 12a

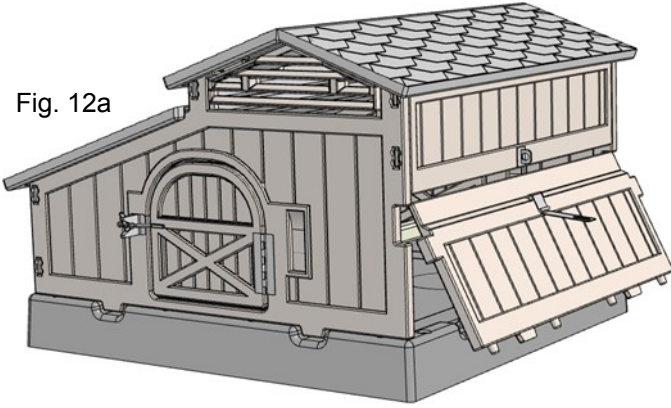


Fig. 12b

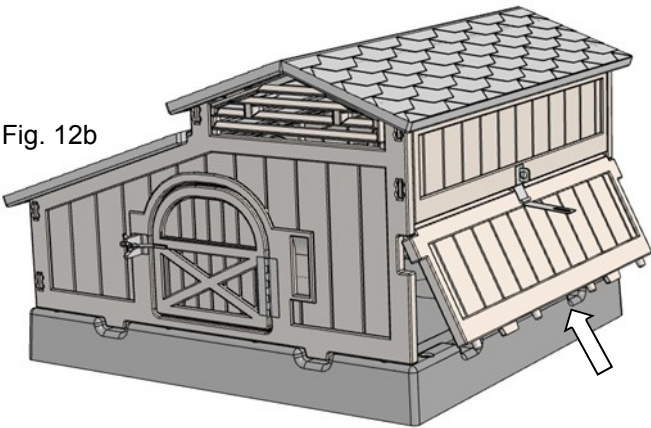


Fig. 12c

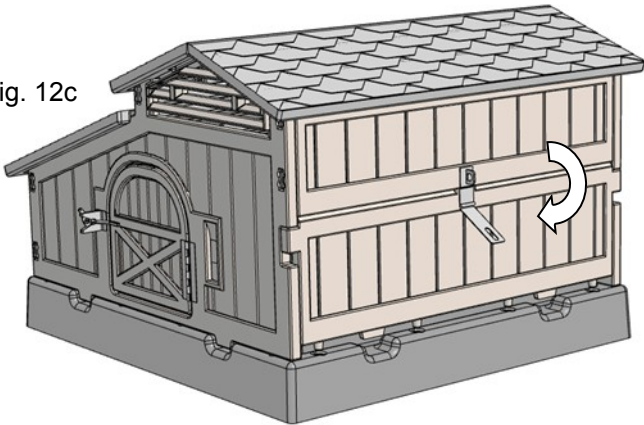
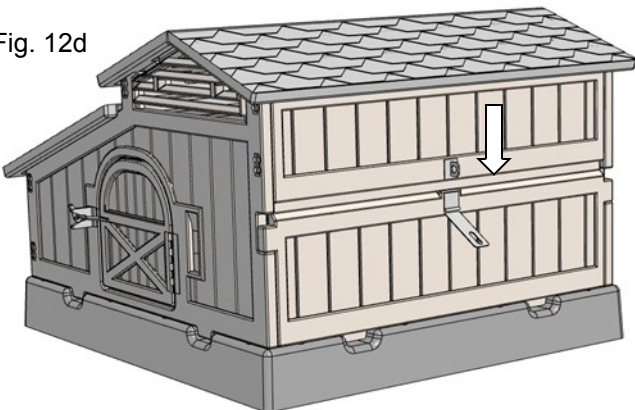


Fig. 12d

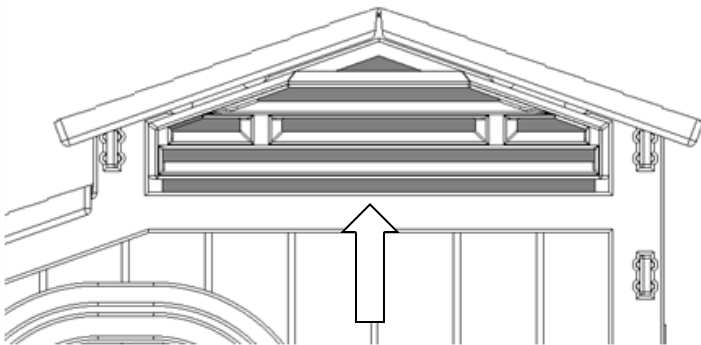


Step12: Install the Removable Panel by sliding it up, from underneath the Upper Side Wall (Fig. 12a), until the top of the Removable Panel is to the inside of the bottom of the Upper Side Wall (Fig. 12b). Rotate the Removable Panel until it is vertical and the pegs on the bottom of the Removable Panel are aligned with the holes in the Coop Base (Fig. 12c). Slide the Removable Panel down, inserting the pegs into the holes, and close the hasp over the hasp eye. (Fig. 12d)

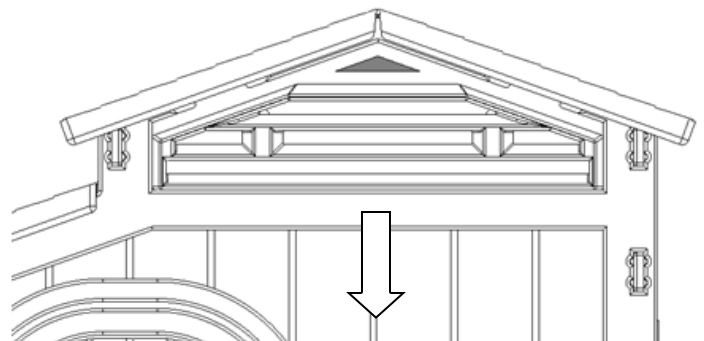
Adjustable Ventilation

Air circulation in the coop can be adjusted by simply lowering or raising the vent cover that has been installed on both the Front Gable and the Back Gable. Raised all the way up provides maximum ventilation and lowered all the way down will provide the maximum protection from draft. It also can be set at increments in-between. When the cover is lowered all the way down, it shuts off most of the openings except for the very top opening. This is to ensure that ammonia, water vapor, and other gases can still be vented even when the vent is closed. It is not recommended for ventilation ever to be completely shut off, even during very cold weather.

FULLY OPEN



FULLY CLOSED



The carabiners provided with this coop can be attached by the split ring to the hasp, hasp eye, or the gravity latch on the front door. This will keep the carabiner attached to the coop, even when it is not being used.

