

Wescott Mantel Kit MK-WS-INC36 - Instructions -

For Model(s): SF-INC36

NOTICE: Before starting, the walls and floor in the area of the installation should be clean, plumb and level. Any major deviation should be remedied before installing the appliance, marble or mantel.

NOTE: To be installed on finished floors only.



Leave this manual with party responsible for use and operation.



CAUTION

Sharp Edges

- Wear protective gloves and safety glasses during installation.



CAUTION

- These instructions apply only to the mantel and facing material that will surround the firebox.
- See the fireplace manufacturer's installation instructions to ensure that all clearance and installation requirements are being met.

⚠ WARNING



Risk of Fire

- Improper installation or adjustment can cause injury or property damage. For assistance or additional information, contact a qualified installer, service agency or the electrician.
- Comply with all minimum clearances to combustibles as specified in the appliance manual.

CAUTION

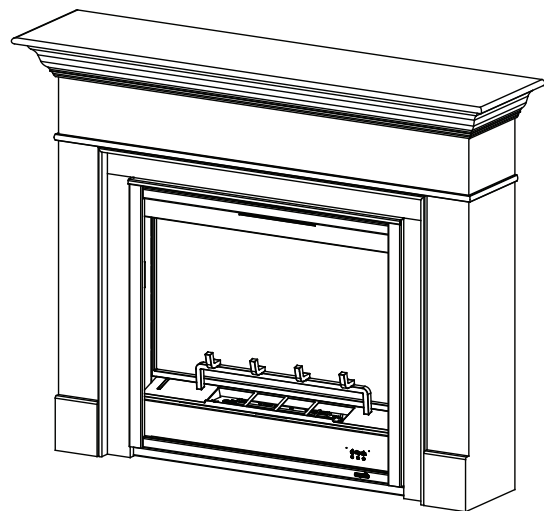
It is recommended that two people assemble this mantel due to its weight and upright positioning.

PREPARATION

Before beginning installation of this mantel, verify that the walls and floor in the area of the installation are clean, plumb and level. Any major deviation should be remedied before installing the appliance, marble or the mantel /cabinet.

These questions should also be considered and answered before beginning installation of the mantel.

- a. Is base molding already installed?
- b. Where are the electrical outlets or firebox switch?
- c. Is there enough distance between windows and edge of cabinet?
- d. Is the fireplace centered between walls?
- e. Will installation interfere with return air vent locations?
- f. Is the fireplace centered between windows?
- g. Where are the electrical & cable outlets positioned?

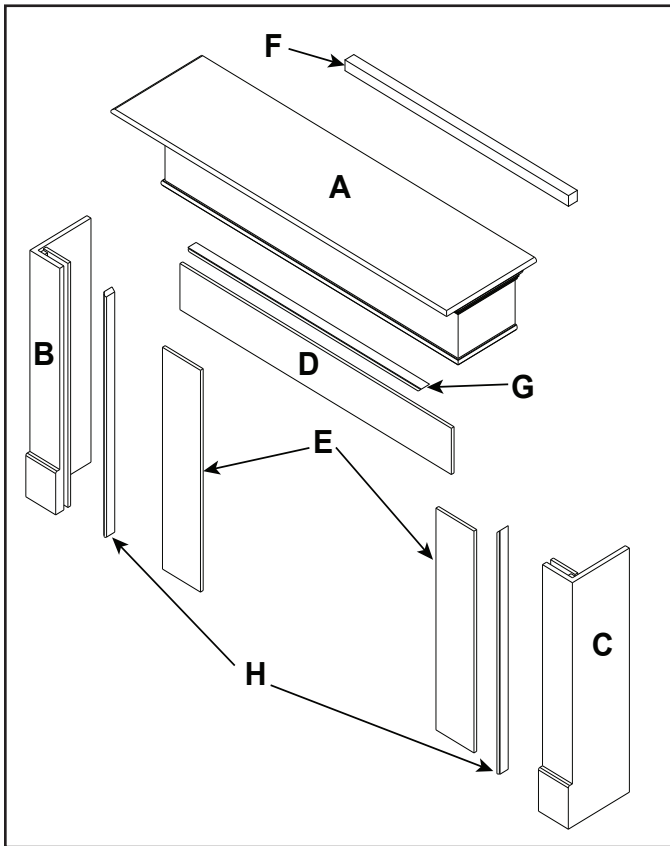


Tools and Supplies Needed

- Phillips Screwdriver (No. 3 preferred)
- Tape Measure, Pencil
- Portable Drill
- 1/16" and 3/32" Drill Bits
- T10 Driver/Bit
- Hammer
- Stud Finder
- Nail Set

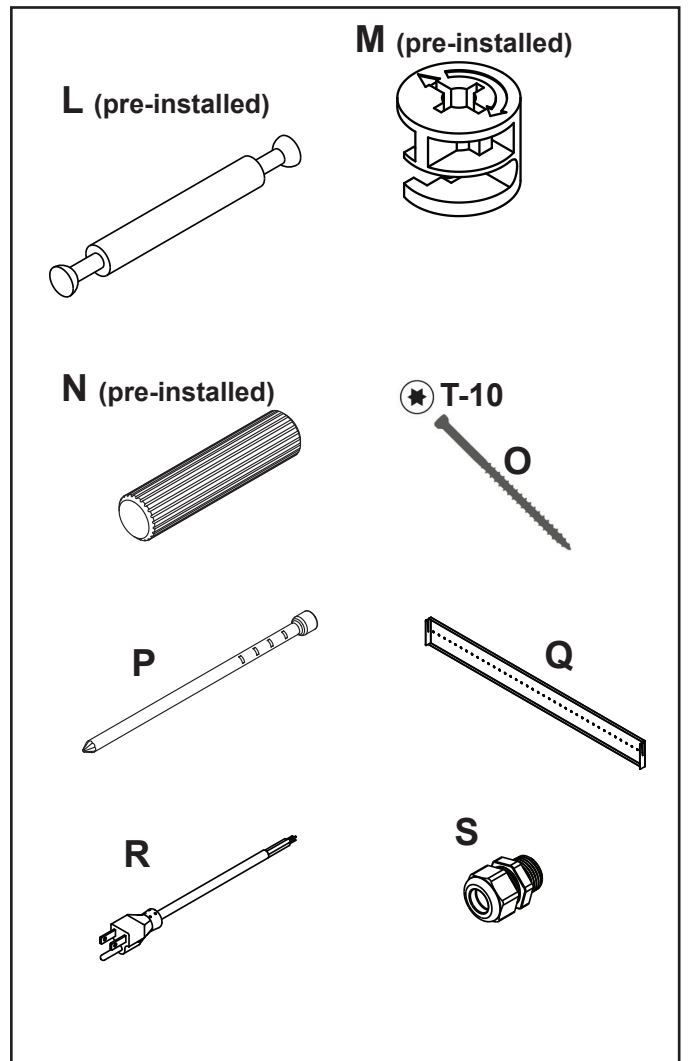
Kit Components

ITEM	DESCRIPTION	QUANTITY
A	Top Assembly	1
B	Left Leg Assembly	1
C	Right Leg Assembly	1
D	Top Trim Board	1
E	Left and Right Trim Board	2
F	Ledger Board	1
G	Top Scribe Molding	1
H	Left and Right Scribe Molding	2

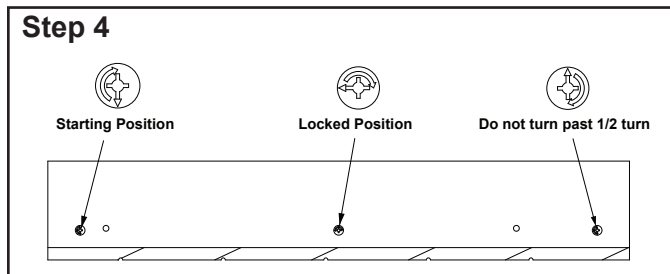
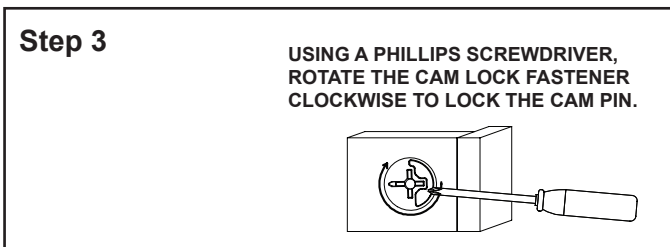
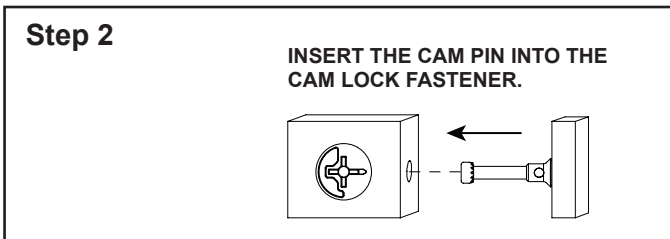
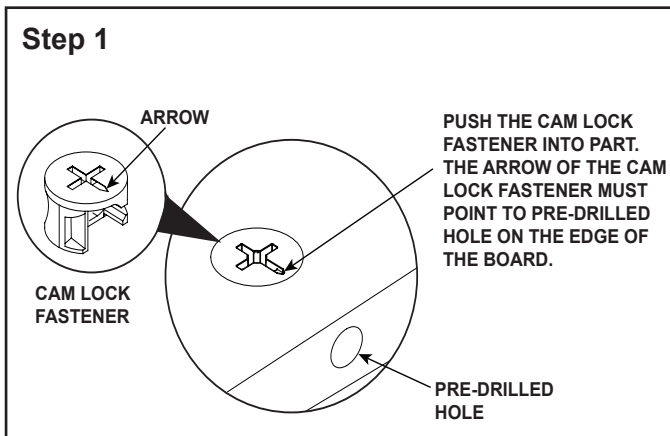


Fasteners

ITEM	DESCRIPTION	QUANTITY
L	M6 - CAM PIN (pre-installed)	6
M	CAM LOCK FASTENER (pre-installed)	12
N	WOODEN DOWELS (pre-installed)	6
O	3" SCREWS	12
P	FINISHING NAILS	12
Q	WALL BRACKET	1
R	POWER CORD	1
S	STRAIN RELIEF	1

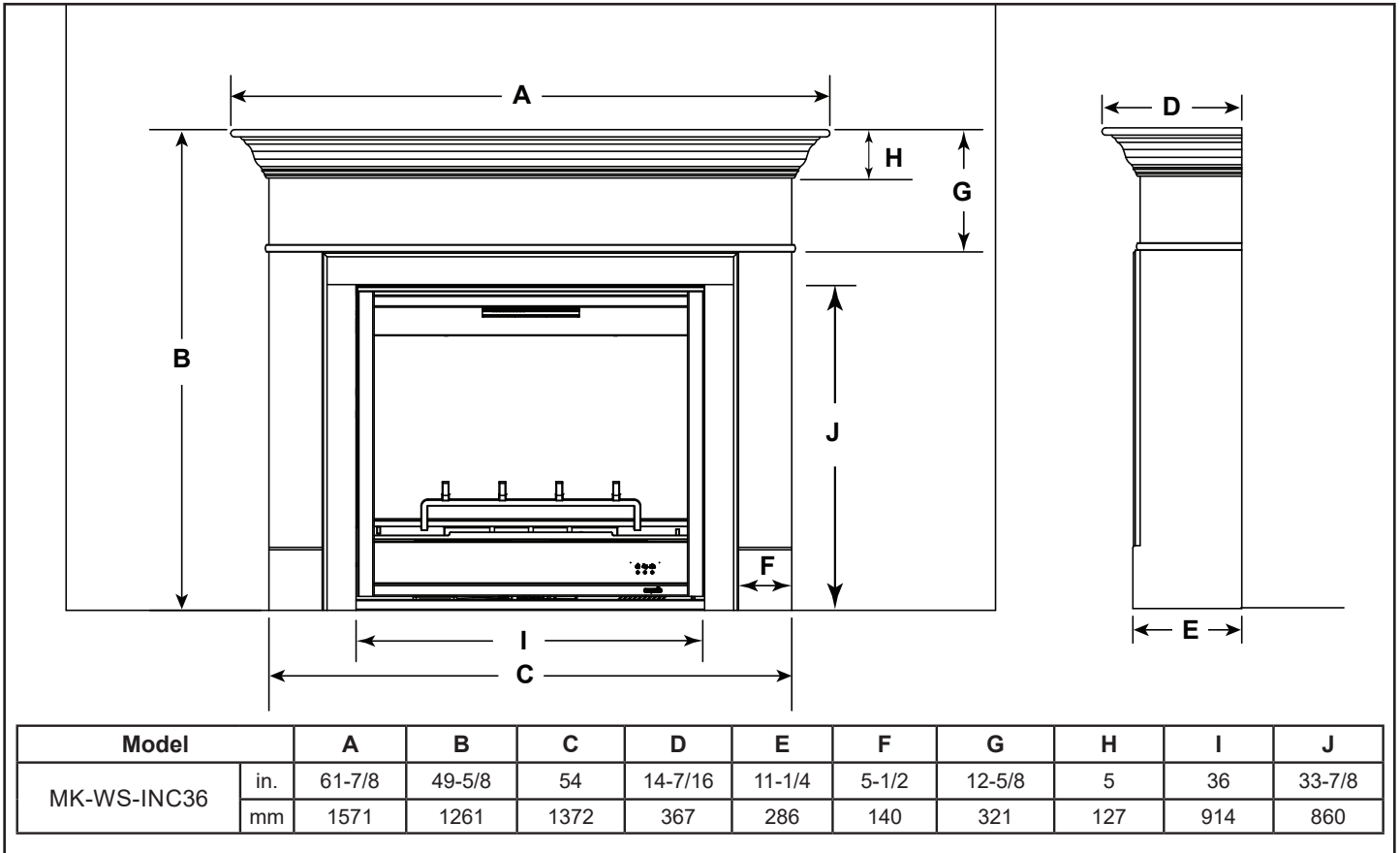


How to use Cam Pin and Cam Lock Fastener:

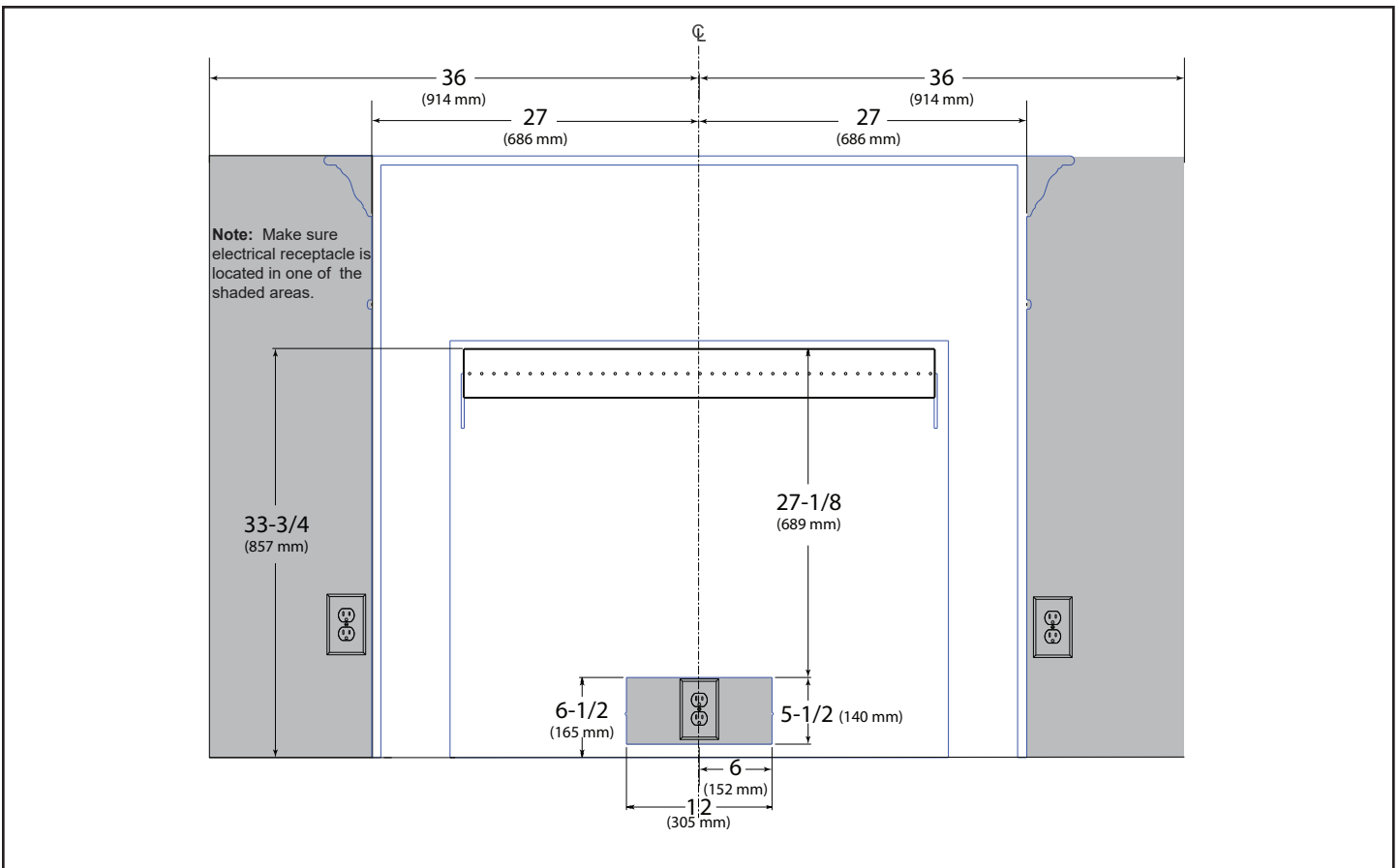


Note: Do not overtighten. Overtightening may result in broken fasteners or damage the finished edge of the mantel.

Product Dimensions



Electrical Outlet Locations



Mantel Preparation

Remove the Mantel Kit parts and hardware from the packaging.



WARNING:
**CUTTING PACKAGING MATERIAL
COULD DAMAGE THE PRODUCT.**

Refinishing

The mantel comes primed, ready to accept paint. The following steps are recommended for applying paint prior to assembling the mantel.

- Properly cover any areas of work space that paint is not desired.
- Lightly scuff the existing finish with 320 grit sandpaper.
- Remove dust using lint free cloth.
- Apply paint to evenly cover the mantel. Wait the recommended amount of time for drying per the paint instructions.
- Apply additional top coats until desired coverage is achieved.

NOTICE:

- Follow all recommended guidelines for the materials that are being used.
- Do not paint near the appliance.
- Do not paint while the appliance is operating.
- Always wear appropriate gloves, eye protection, clothing and a respirator or mask when painting.

Determine Power Location

Option 1: Hidden Power location

- Locate outlet in access hole of appliance. See page 4.

Option 2: Exposed Power Cord

- Make sure outlet is within six feet of center of appliance.
- Drill 1/2" hole within bottom two inches of the side mantel leg. See Figure 1.

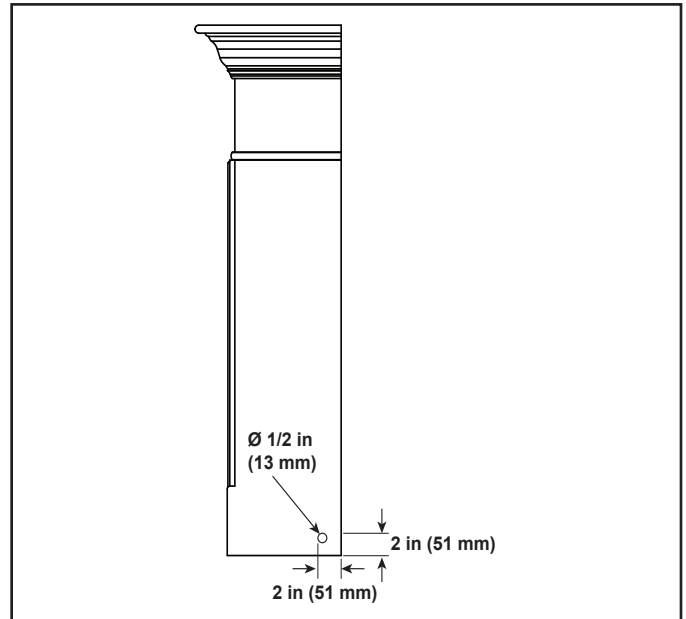


Figure 1

Baseboard Removal

- Remove baseboard from wall where the appliance and mantel will be installed.
- Baseboard must be removed where the mantel will be installed. See dimensions on page 4 for reference.

Assembly

1. Position the top assembly (A) of mantel upside down on a flat, clean, non-abrasive surface.
2. Dowels and cam pins are shipped pre-inserted in the end of the leg assembly (B). See Figure 2. Before installing mantel leg, use a Phillips screwdriver to ensure the cam pins are secured in the leg with the cam fasteners positioned at 1/2 turn as shown in Step 4, page 3.
3. Attach left leg assembly (B) to the top assembly (A) by inserting dowel and cam pin into matching holes on ends of the top assembly (A). Note: Make sure that the arrow on the cam lock fasteners in the top assembly point toward the edge of the board. Re-view page 3 for cam fastener instructions.

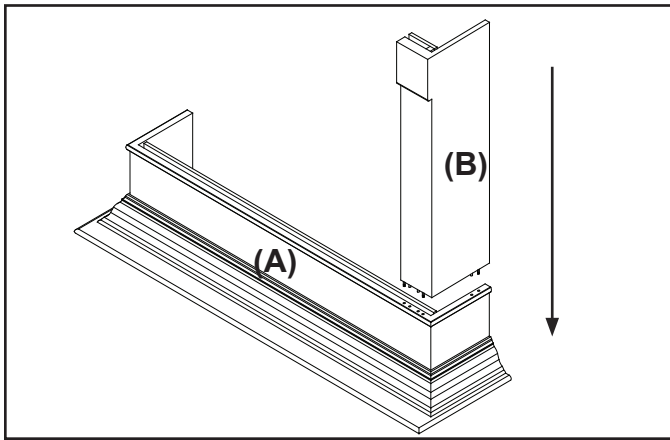


Figure 2

4. Push down on the leg assembly (B) until dowels are fully inserted into the top assembly and there is no gap between leg and top assembly. Using a Phillips screwdriver, turn the cam lock fasteners clockwise up to 1/2 turn or until resistance is felt. Do not over-tighten, as too much torque can break the cam lock fastener.
5. Repeat Steps 2 and 3 for the right leg assembly (C).

Appliance Mounting

1. Locate studs in the wall behind the appliance. Attach wall bracket to a minimum of two studs using 3" screws (O) at a height of 33-3/4 in. from the floor to the top of the wall bracket. See Figure 3.

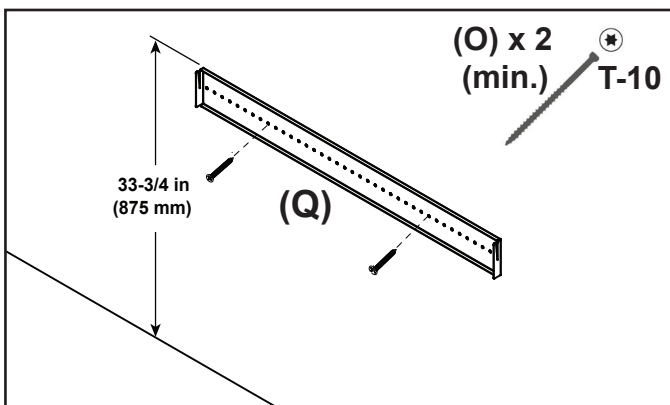


Figure 3

2. Hang appliance onto the wall bracket and secure the appliance to a minimum of two studs with 3" screws (O) using the pre-cut holes in the component cavity.

Preparing Mantel

1. Locate studs in the wall behind the appliance. Attach ledger board to a minimum of two studs using 3" screws (O) at a height of 48-7/8" from the floor to the top of the ledger board. See Figure 4.

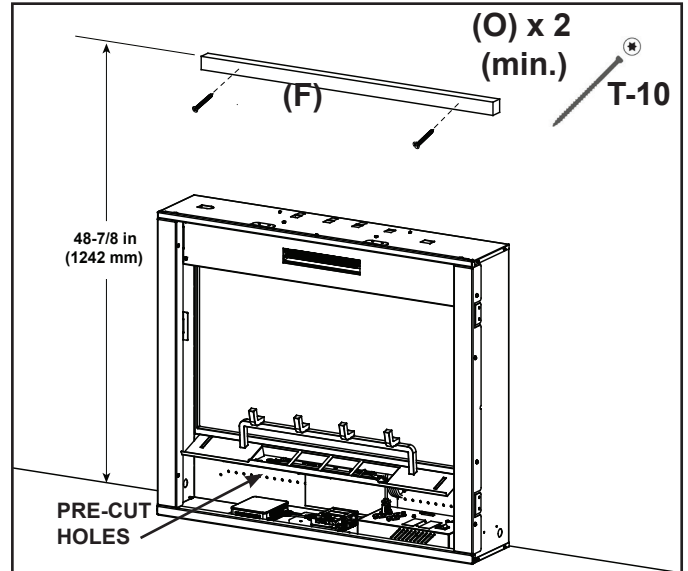


Figure 4

2. Rotate the mantel into the upright position, (requires two people): Rotate the mantel down onto its back by holding onto BOTH mantel legs. Then, grasp the top assembly and lift/rotate the mantel up until it is standing upright on both mantel legs.
3. Place mantel in front of appliance spaced approximately 6 in. from the wall. Insert top trim board (D) into the slot located on the backside of the mantel top assembly. See Figure 5. Insert side trim boards (E) into the slot located on the back side of the mantel leg. See Figure 6.

Note: If using a hearth that fits between the leg opening, cut the trim boards to allow for hearth thickness between legs.

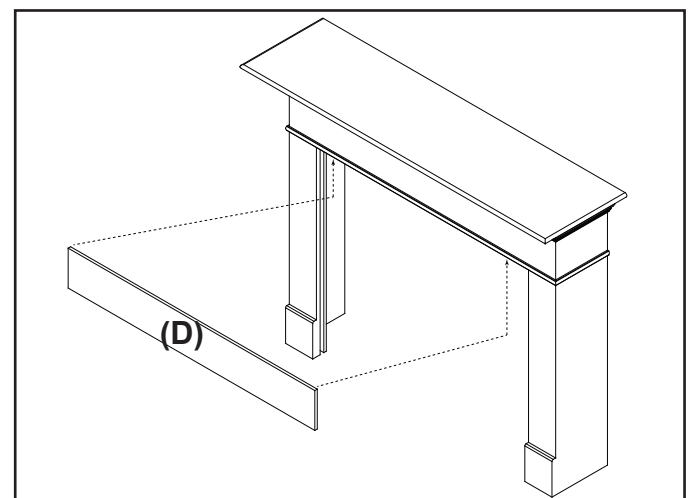


Figure 5

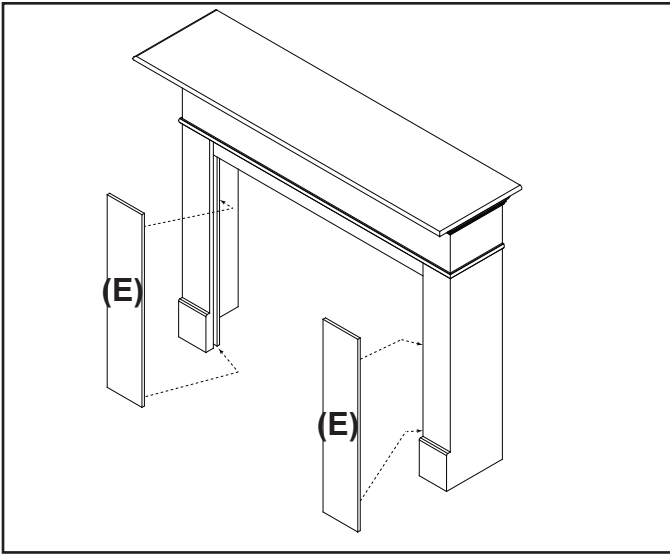


Figure 6

Connecting to Power

Make sure the appliance is installed according to local codes.

Option 1: Using an outlet located within designated cut out in fireplace cavity.

- See Electrical Outlet locations on page 4.
- Refer to appliance manual for wiring instructions.

Option 2: Using an outlet located outside of mantel:

- Pass stripped end of cord through drilled hole in mantel and pass end of cord through hole inside of appliance cavity.
- Secure cord with strain relief (S).
- Refer to appliance manual for wiring instructions.

Securing and Finishing Mantel

1. Move the mantel tightly against the wall while viewing it from all sides to make sure everything is fitting properly and that visible portions of the trim boards are equal. The inner edge of the mantel trim boards will overlap the outer edge of the appliance. Check the outer edge of the mantel where it fits against the wall to see that there is no excessively large gaps. Small gaps will be filled later with caulk.
2. Secure mantel to ledger board using three 3" screws (O) through the top edge of the mantel. Fill holes with appropriate fill if desired. See Figure 7.

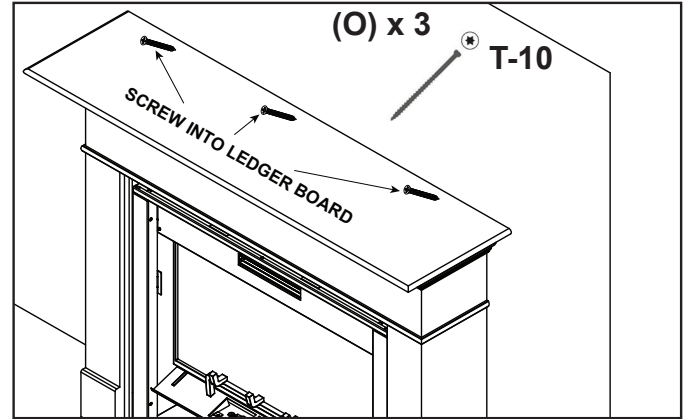


Figure 7

Steps 3 & 4 Optional (suggested when using other trim facing less than 3/4" thickness in place of supplied trim boards)

3. Attach the scribe (G,H), make sure its pushed back against trim facing. Nail with finishing nails (P), top assembly (G) first. Be careful not to hit the trim as you nail the scribe in place. Protect the trim with a piece of corrugated cardboard held or taped between stone and hammer as you nail. Use a nail set to set the nail head below surface of scribe, and fill the resulting hole with an appropriate filler. See Figure 8.
4. If using a hearth that fits between the leg opening, cut the scribe to allow for stone height between the legs. Place the scribe molding as shown, positioning it so that it just contacts the noncombustible surround. Be careful not to hit the facing material when nailing the scribe in place. No cutting is needed if hearth exceeds mantel legs.

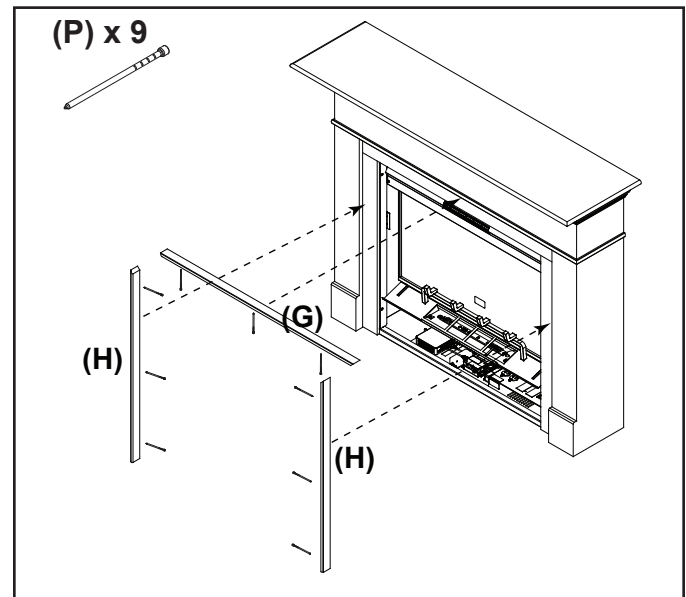


Figure 8