

Inception Decorative Front

Model: SF-CHAF-36, SF-HAL-36

- Installation Instructions -

For Models: SF-INC36



Leave this manual with party responsible for use and operation.

CAUTION! Risk of Cuts, Abrasions or Flying Debris. Wear protective gloves and safety glasses during installation. Sheet metal edges are sharp.

CAUTION! Do not install damaged components.

Note: To avoid potential damage to hearth pad or flooring, protect area in front of fireplace by laying cardboard or blanket down.

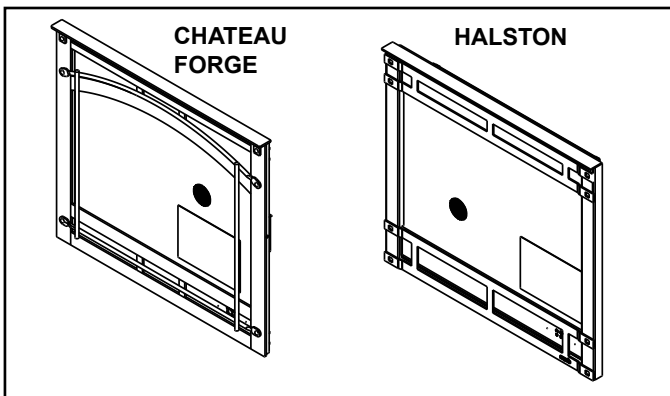


Figure 1 Decorative Front Styles

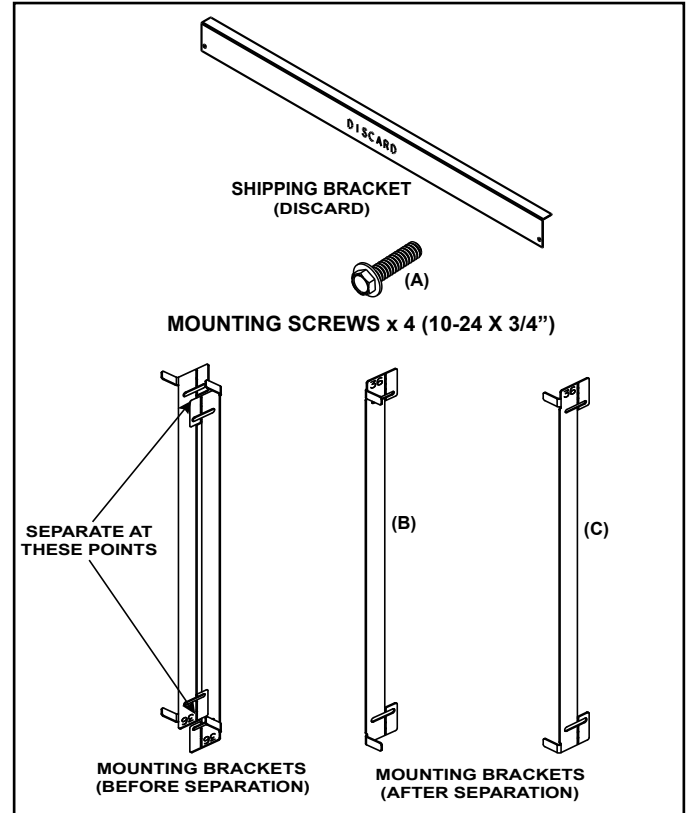


Figure 2 Components Overview

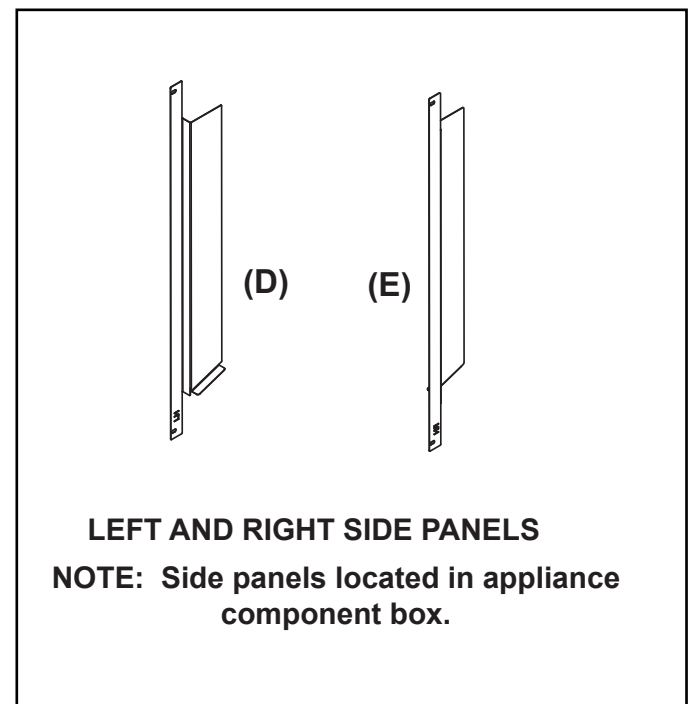


Figure 3 Side Panels Overview

INTRODUCTION

These are instructions for the Chateau Forge and Halston decorative fronts. These decorative fronts are compatible with the Inception appliance.

NOTE: The hammered pattern, decorative wire placement and other features of the Chateau Forge decorative front may vary from the showroom display model due to the hand-crafted nature of the Chateau Forge decorative front.

Tools Needed:

- 1/4" Nut Driver

A. Finishing Material

These decorative fronts are designed to be installed as "Overlap" or "Inside Fit". Refer to Table 1.

Overlap Method: Finishing material that is 1" or less (such as marble or tile) is installed up to the fireplace opening on the sides and top. The mounting brackets are adjusted "out" so that the edges of the mounting brackets are flush with the face of the finishing material. The back of the decorative front contacts the face of the finish material, thus the decorative front "overlaps" the finish material. Refer to the appliance installation instructions for more detailed information. Reference Figure 4 for combustible clearances required for 240VAC Supplied Appliances with Overlap Fit Front Installations.

Inside Fit Method: Typically, the inside fit method is only used when finish material greater than 1" is preferred (such as cultured stone). This finish material is installed adjacent to the decorative front sides and top.

The mounting brackets are to be installed "flush" with the black edges of the inside surround opening. Do not install finish material greater than one inch thick up to the viewing area on top, bottom or sides.

When installed, the back of the decorative front contacts the black surround on the fireplace, thus the decorative front is "inside" the adjacent finish material on the top and sides. Refer to the appliance installation manual for more detailed information.

DECORATIVE FRONT	HEIGHT	WIDTH
HAL-36	32-7/8 IN.	37-1/4 IN.
CHAF-36	32-7/8 IN.	37 IN.

Table 1. Decorative Front Dimensions

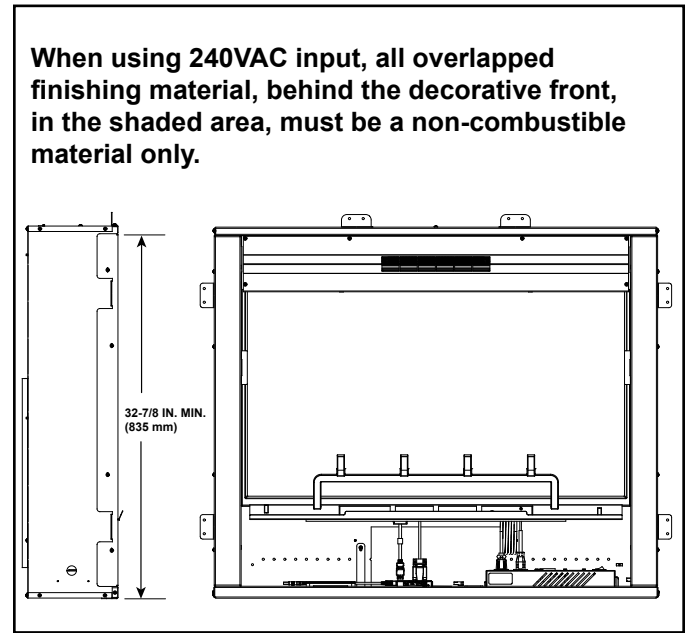


Figure 4

B. Installation

1. Remove components from package. Components included will depend on the decorative front being installed. The mounting brackets are secured to a shipping bracket located on the back side of the decorative front. Remove shipping bracket using 1/4 in. nut driver and remove mounting brackets from packaging.
2. Remove mounting bracket assembly and bend the mounting bracket assembly vertically to separate the left and right brackets (B and C). See Figure 3.
Do not bend mounting bracket tabs.
Discard screws and shipping brackets. See Figure 3.
3. Remove side panels (D and E) from appliance component box. See Figure 3.
4. Attach mounting brackets (B and C) and side panels (D and E) to appliance using the four mounting screws (A). See Figure 5. Locate the laser-cut number 36 on the bracket which represents the size of the decorative front. This marking also indicates the top of the bracket. Install the bracket so that the front edge of the bracket sits flush with the desired depth of the decorative front. Mounting tabs should extend at least 1/8 inch past desired depth. See Figure 6. Side panels install over the mounting brackets using the same mounting screws (A).

For example: If the decorative front is to fit tight against the appliance (Inside Fit), install the brackets flush with the face of the appliance. If the decorative front is to fit up tight against a finishing material with maximum thickness of one inch (Overlap Fit), the brackets should be flush with the face of the material. For both inside fit and overlap fit applications, the mounting tabs should extend at least 1/8 inch past desired depth. Refer to Section A, "Finishing Material" for more information.

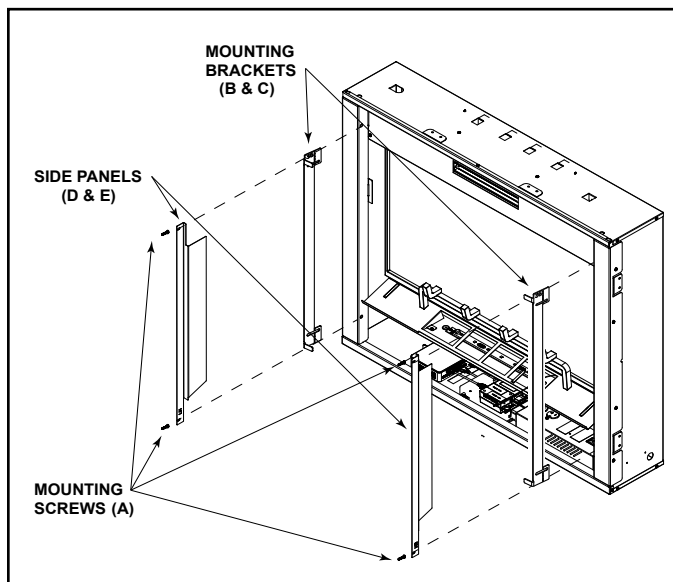


Figure 5 Attach Side Panels

5. Connect the wire harness at the lower right of the front to the corresponding connector from the appliance, See Figure 5.

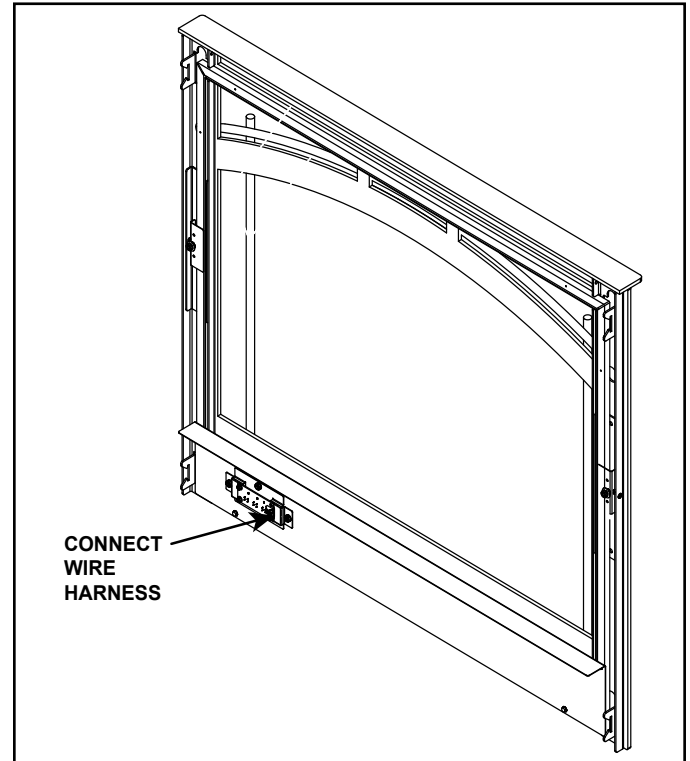


Figure 6 Install Decorative Front

NOTE: Before installing decorative front, make sure the appliance junction box master switch is flipped to the ON position.

6. Install the decorative front to the mounting brackets by engaging the brackets mounted on the decorative front assembly to the mounting brackets located on the appliance. See Figure 7. Ensure the decorative front is properly attached and securely positioned on the appliance.

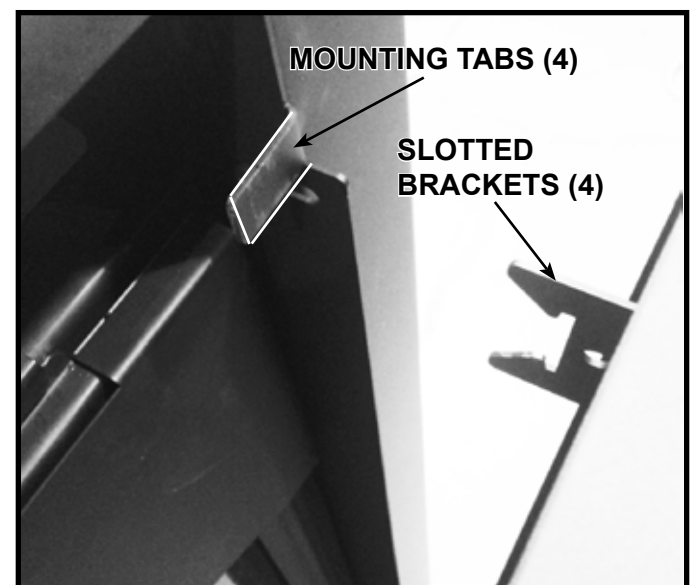


Figure 7 Install Decorative Front

C. Cleaning Instructions for Decorative Fronts

Use a microfiber cloth and Windex® Original Glass Cleaner or 03M003 Stove Bright® Glass Cleaner to clean the decorative front immediately after installation to remove acids deposited by the installer or technician. Spray the cleaner onto the microfiber cloth and carefully wipe the entire surface. The decorative front should be cleaned in this manner annually by the homeowner to remove fingerprints or other contaminants. Once oxidation of the paint pigment has occurred, cleaning will not restore the original color.

D. Replacement Parts

- Side Panels SRV4200-106
- Mounting Brackets SRV2353-216
- Vanity Panel Assembly SRV4200-034
- Door Buttons Jumper SRV4200-183

SimpliFire, a brand of Hearth & Home Technologies
7571 215th Street West, Lakeville, MN 55044
www.hearthnhome.com

Please contact your SimpliFire dealer
for the location of your nearest SimpliFire dealer,
please visit www.hearthnhome.com.