



# FORUM 43"

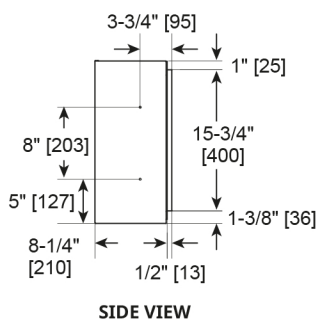
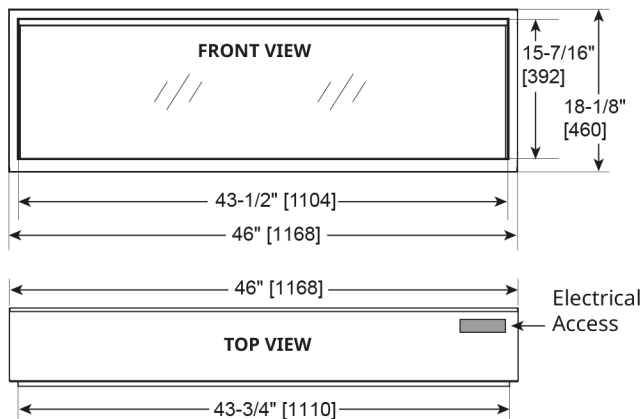
Outdoor Electric Fireplace

Scan QR code for installation manual for final dimensions and requirements.



ACTUAL DIMENSIONS	WIDTH	HEIGHT	DEPTH	GLASS SIZE
SF-OD43	46" [1168]	18-1/8" [460]	8-1/4" [210]	43-1/2" x 15-7/16" [1104 x 392]

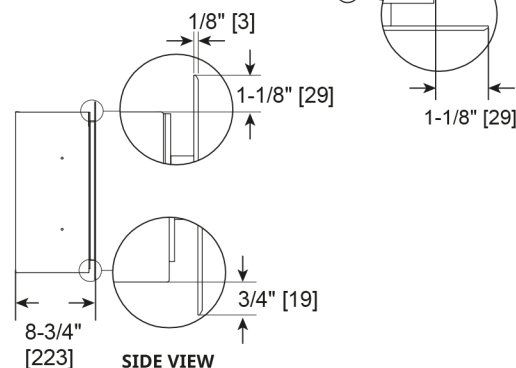
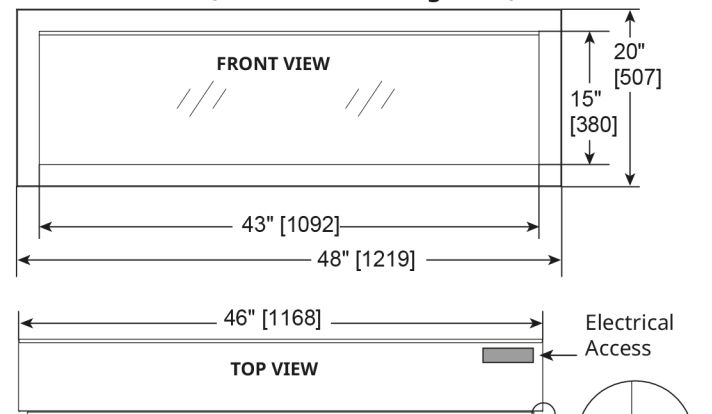
### BUILT-IN (frameless look without front)



**Electrical Connection Requirements:**  
This Appliance ships with a GFCI protected power cord installed. A minimum 15 AMP, 120V/60Hz circuit is required. If hardwiring for an outdoor appliance, the circuit must be Ground Fault Circuit Interrupter (GFCI) Protected.

Note: Reference instruction manual for complete installation guidelines.

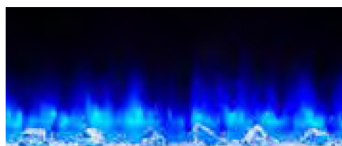
### RECESSED (with self-trimming front)



FRAMING DIMENSIONS	WIDTH	HEIGHT	DEPTH
	46-1/4" [1175]	18-1/2" [470]	9" [229]

- Durable to withstand the elements
- Clean look with finishing materials to the edge or framed with included overlap front
- Easy remote control
- Four flame and 13 ember-bed colors to fit your mood
- No heat allows you to safely place a TV or artwork directly above the fireplace

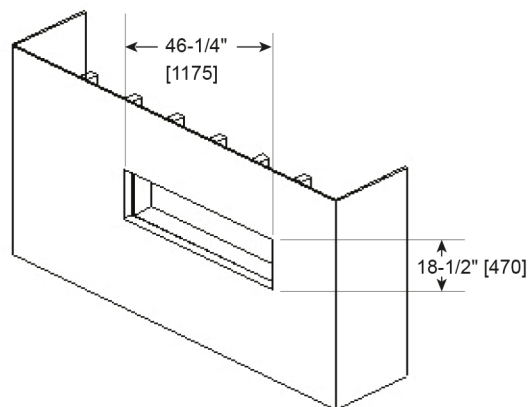
#### Included media



Clear crystals



Driftwood logs



PRODUCT LISTING CODES	
US	CSA 22.2 No 250; UL 962
INTERNATIONAL	CSA 22.2 No 250; UL 962

**SimpliFire — A Brand of Hearth & Home Technologies**  
7571 215th Street West | Lakeville, MN 55044  
888-427-3973 | 952-985-6000 | fireplaces.com



Product information provided is not complete and is subject to change without notice. Product installation must adhere strictly to instructions accompanying product to avoid risk of fire and potential injury.