

36" Built-In Electric Fireplace

SimpliFire[™]
Fire Made Simple

Easy | Flexible

- Heats up to 400 sq ft with 4,800 BTUs, or 800 sq ft with 10,000 BTUs based on climate and home efficiency
- 933 sq in of viewing area for the largest in its class
- No venting required
- Four flame intensity levels

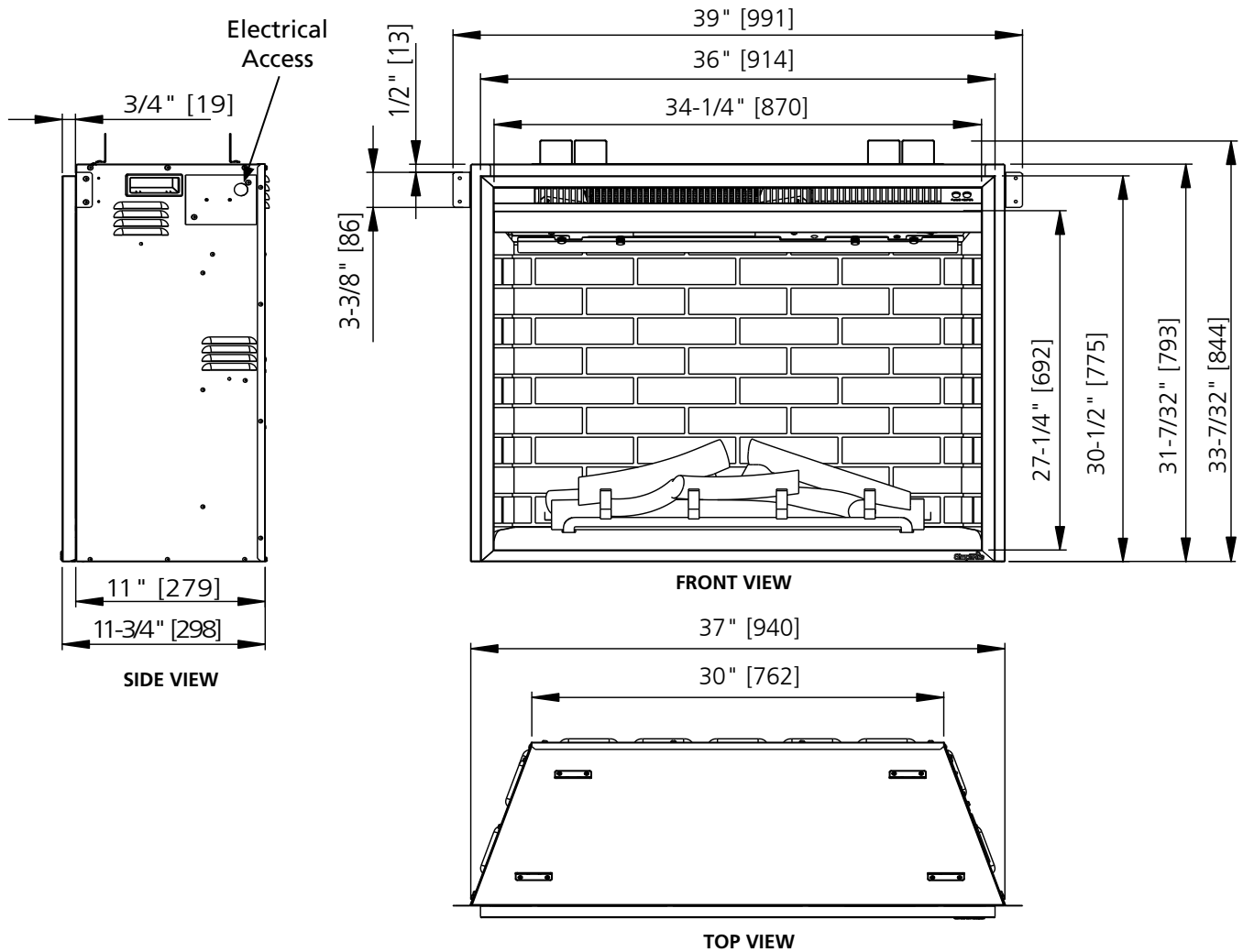




Please consult the manufacturer's installation manual for all details and requirements before making a final design layout decision.

36" Built-In Electric Fireplace

MODEL	FRONT WIDTH		BACK WIDTH		HEIGHT		DEPTH		VIEWING AREA
	Actual	Framing	Actual	Framing	Actual	Framing	Actual	Framing	
SF-BI36-EB	37" [940]	38" [965]	30" [762]	38" [965]	31-7/32" [793]	120V = 33-11/16" [856] 240V = 35-11/16" [906]	11" [279]	11-5/8" [295]	34-1/4" x 27-1/4" [870 x 692]



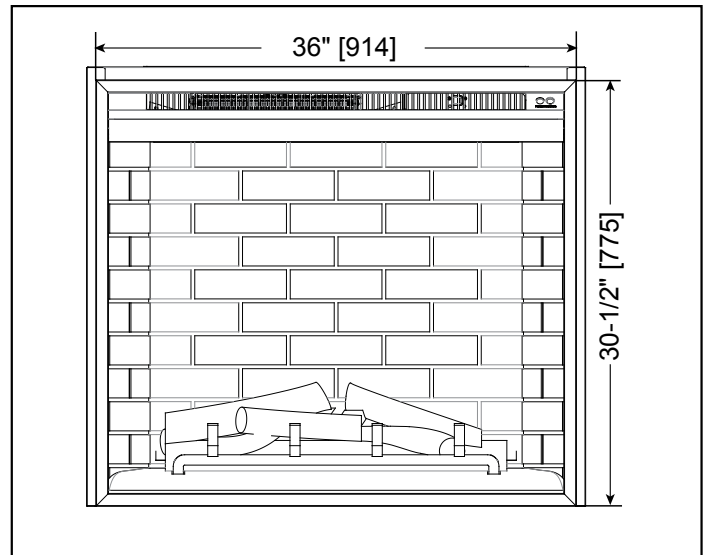
ELECTRICAL CONNECTION REQUIREMENTS

CIRCUIT	CONNECTION METHOD	BTUS
15 AMP, 120V/60 Hz	Hardwire or plug-in	5,000
15 AMP, 240V/60 Hz	Hardwire only	10,000

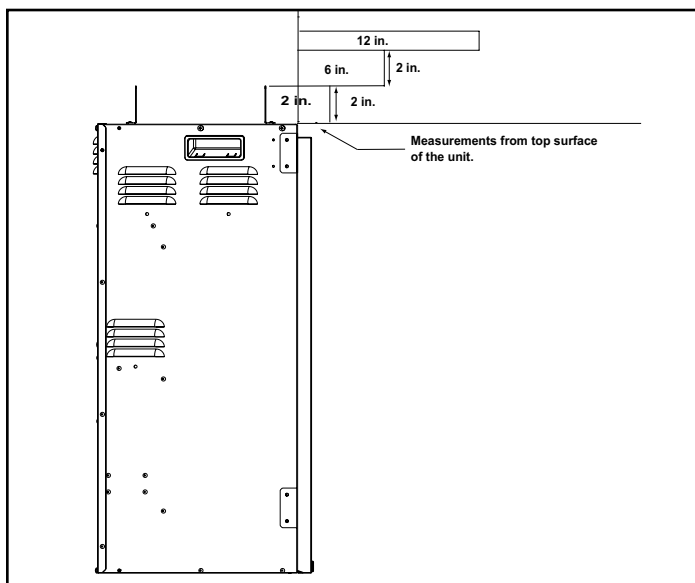
MINIMUM CLEARANCES TO COMBUSTIBLES

AREA	120V	240V
SIDES	0"	0"
FLOOR	0"	0"
TOP	0"	2" [51]
BACK	0"	0"
FRONT	36" [914]	36" [914]

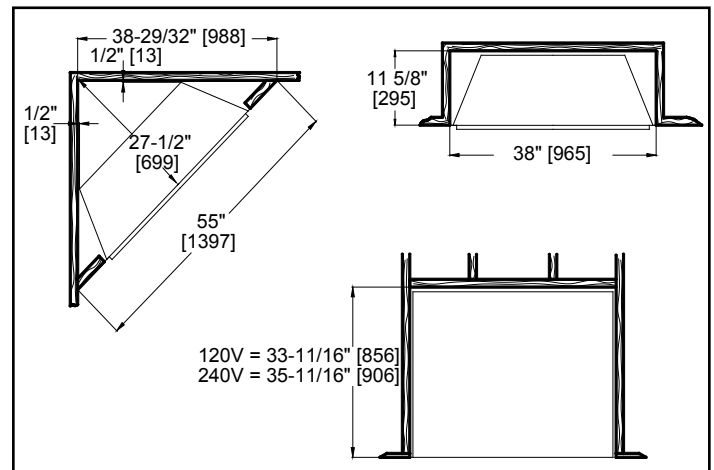
FINISHING DIMENSIONS



MANTEL PROJECTIONS



APPLIANCE LOCATION



PRODUCT LISTING CODES	
US	CSA 22.2 No 46-M1988
INTERNATIONAL	CSA 22.2 No 46-M1988

Product information provided is not complete and is subject to change without notice. Product installation must adhere strictly to instructions accompanying product to avoid risk of fire and potential injury.