

Scion Trinity 55"

Linear Electric Fireplace



MANTEL KIT

Easy Wall Mount Installation Primed MDF construction

- Adjustable heat, perfect for zone heating with up to 5,000 BTUs of output
- Four flame color themes and 14 ember bed color choices for complete customization

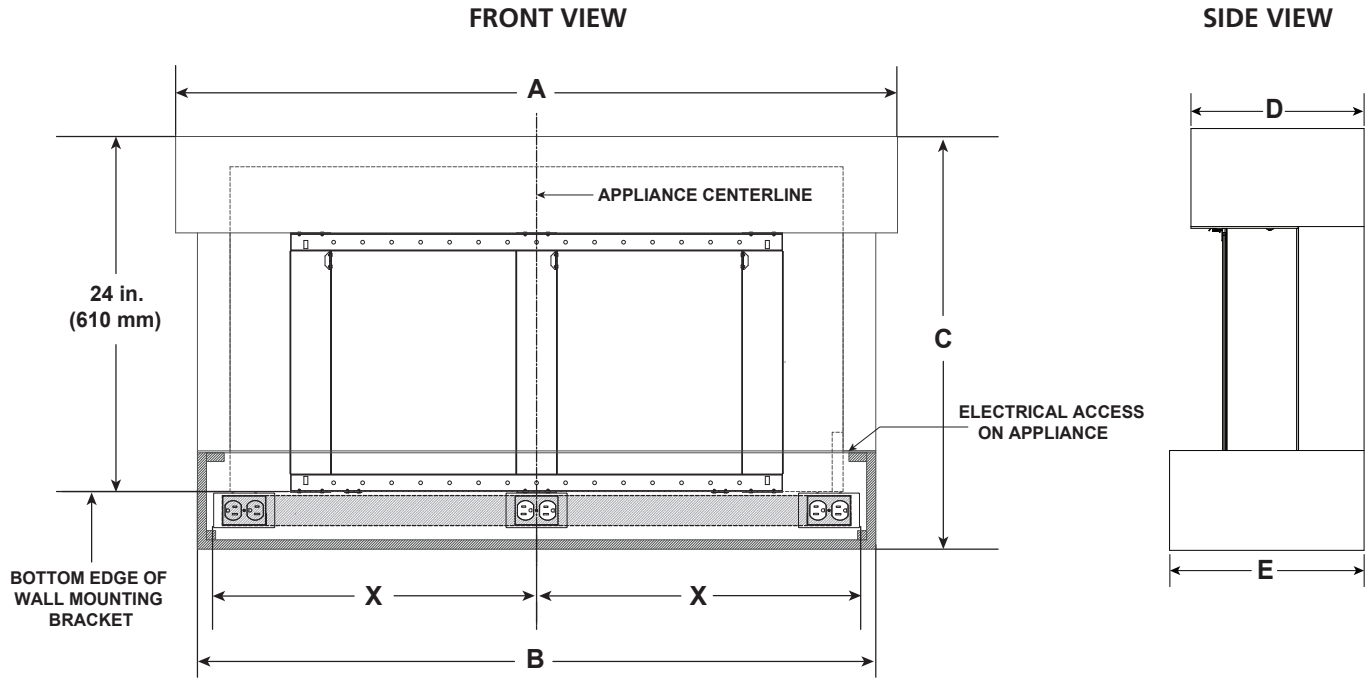




Please consult the manufacturer's installation manual for all details and requirements before making a final design layout decision.

Scion Trinity 43" & 55" Floating Mantel Kit

| Model | Width to Centerline (X) | Top Width (A) | Bottom Width (B) | Height (C) | Top Depth (D) | Bottom Depth (E) |
|-----------------|-------------------------|----------------------|----------------------|-----------------|---------------------|---------------------|
| SF-SCT43-MANTEL | 24" [610 mm] | 49-3/4" [1263 mm] | 46-3/4" [1187 mm] | 28" [710 mm] | 12-1/8" [308 mm] | 13-5/8" [346 mm] |
| SF-SCT55-MANTEL | 28" [710 mm] | 61-1/2" [1563 mm] | 58-1/2" [1487 mm] | 28" [710 mm] | 12-1/8" [308 mm] | 13-5/8" [346 mm] |



Additional information can be found online at www.fireplaces.com

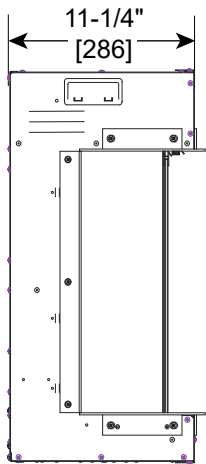


Please consult the manufacturer's installation manual for all details and requirements before making a final design layout decision.

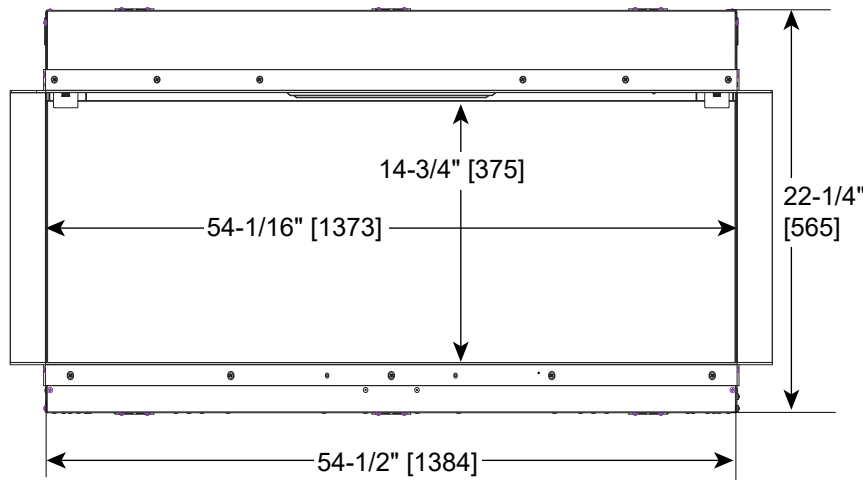
Scion Trinity 55" Linear Electric Fireplace

| MODEL | FRONT WIDTH | | FRONT HEIGHT | | DEPTH | | VIEWING AREA |
|-------------|----------------|----------------|---------------|---------------|---------------|---------------|---------------------------------|
| | Actual | Framing | Actual | Framing | Actual | Framing | |
| SF-SCT55-BK | 54-1/2" [1384] | 54-5/8" [1387] | 22-1/4" [565] | 22-5/8" [575] | 11-1/4" [286] | 11-1/2" [292] | 54-1/16" x 14-3/4" [1373 x 375] |

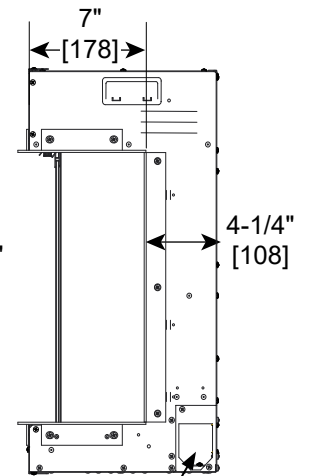
LEFT SIDE VIEW



FRONT VIEW



RIGHT SIDE VIEW

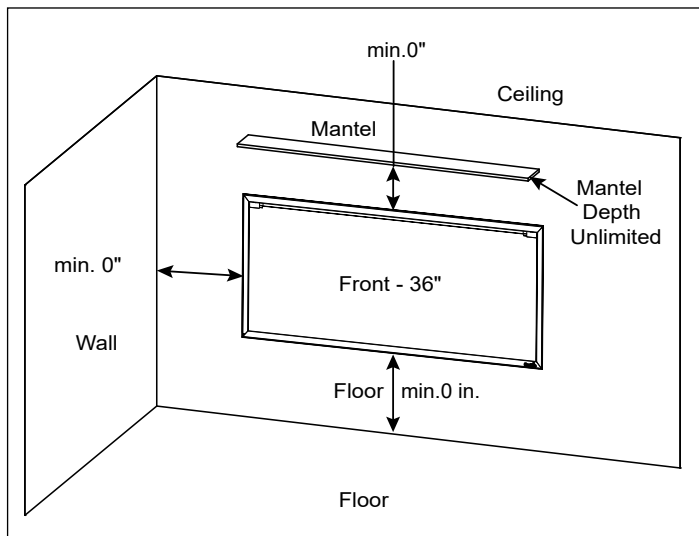


ELECTRICAL ACCESS

ELECTRICAL CONNECTION REQUIREMENTS

| CIRCUIT | CONNECTION METHOD | BTUS |
|--------------------|---------------------|-------|
| 15 AMP, 120V/60 Hz | Hardwire or Plug-in | 5,000 |

APPLIANCE LOCATION



MINIMUM CLEARANCES TO COMBUSTIBLES

| AREA | CLEARANCES |
|---------------|------------|
| SIDES | 0" |
| FLOOR | 0" |
| TOP TO MANTEL | 0" |
| BACK | 0" |
| FRONT | 36" [914] |

Product information provided is not complete and is subject to change without notice. Product installation must adhere strictly to instructions accompanying product to avoid risk of fire and potential injury.

| PRODUCT LISTING CODES | |
|-----------------------|----------------------|
| US | CSA 22.2 No 46-M1988 |
| INTERNATIONAL | CSA 22.2 No 46-M1988 |