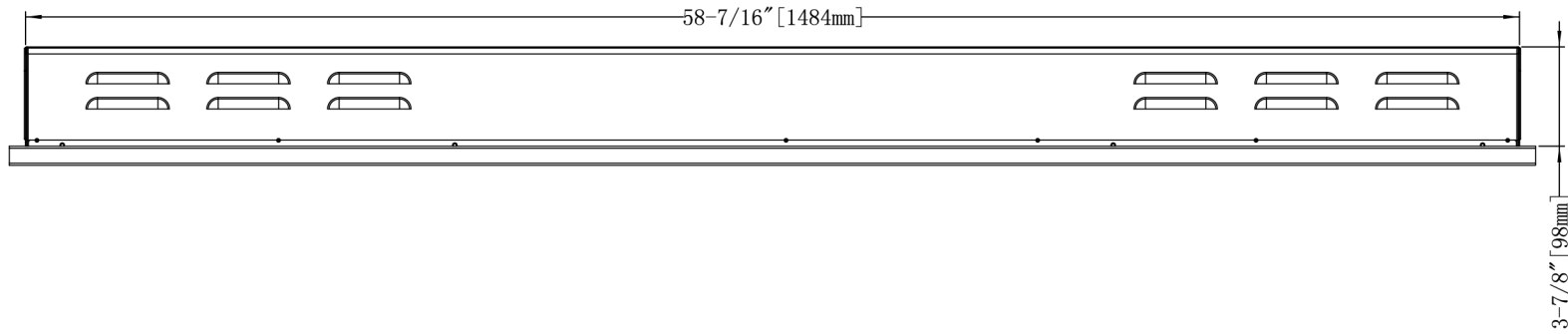
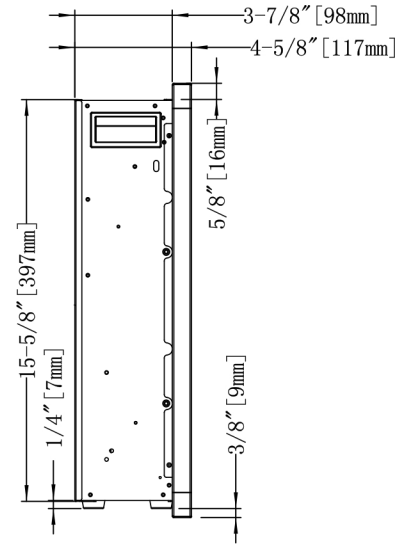
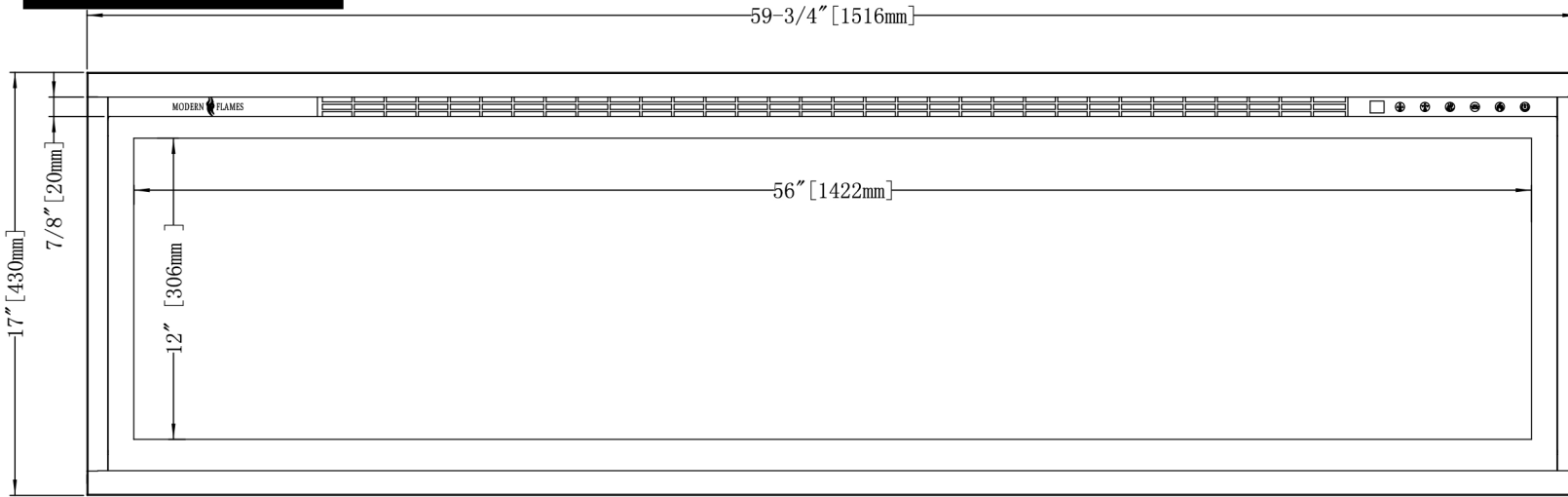


SPECTRUM SLIMLINE WALL MOUNT/RECESSED ELECTRIC FIREPLACE

Model# : **SPS-60B**



AC 120V 60Hz
1465W (5000BTUs)