

Simple On/Off Switch Assemblies

Single On/Off Switches are designed for use with all single element heaters.

- Low cost control option for all single element heaters.
- Range 120/277 VAC (20 amps max per switch).

IN-WALL FOR INDOOR OR PROTECTED OUTDOOR AREAS



14-4400 Single SS Wall Plate w/Gang Box



14-4405 Dual SS Wall Plate w/Gang Box

IN-WALL FOR EXPOSED OUTDOOR AREAS



14-4410 Single Flush Mount w/Weatherproof Cover



14-4415 Dual Flush Mount w/Weatherproof Cover

SURFACE MOUNT FOR EXPOSED OUTDOOR AREAS



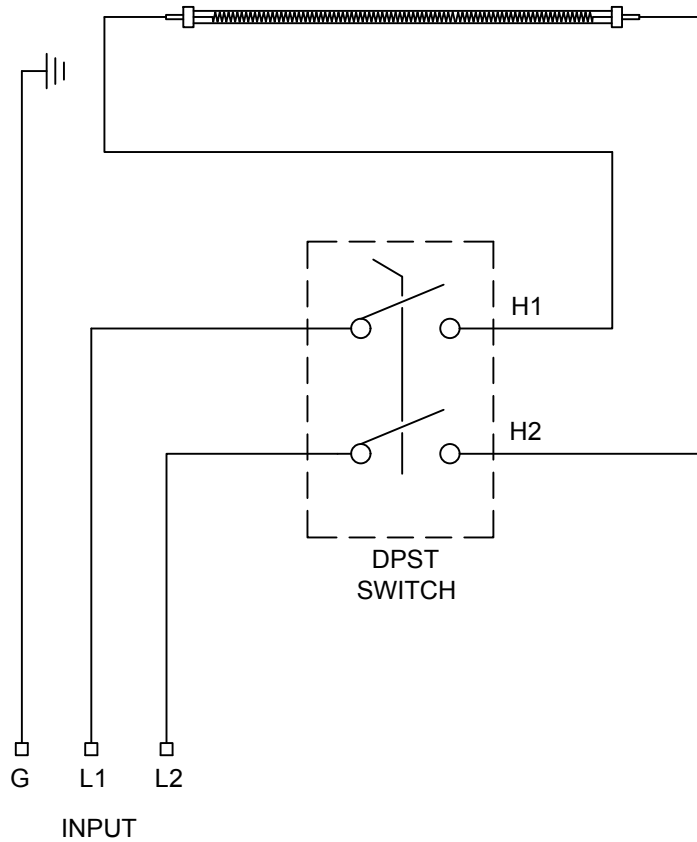
14-4420 Single Surface Mount w/Weatherproof Box



14-4425 Dual Surface Mount w/Weatherproof Box

WIRING DIAGRAM

CONNECTIONS
TO BE MADE
IN J-BOX



NOTE: Replace L2 with Neutral for 120 & 277 VAC Applications.

Decora Switch
 DPST Double Pole Single Throw
 Range: 120/277 VAC
 Recommended not to Exceed
 120 VAC = 1800 Watts Max
 208/220 VAC = 3000 Watts Max
 240/277 VAC = 4000 Watts Max
 20 Amps Max

INFRATECH <small>www.infratech-usa.com</small>		<small>15700 S. Figueroa St. Gardena, California 90248 Phone: (310) 354-1250 Fax: (310) 523-3674</small>
DESCRIPTION		
ON/OFF SWITCH ASSEMBLIES DOUBLE POLE SWITCH WIRING 120/277 VAC 20 AMP MAX		
DATE	ITEM#	N/A
Feb. 25, 2016	DRAWN BY:	MD