

Contactor Panel

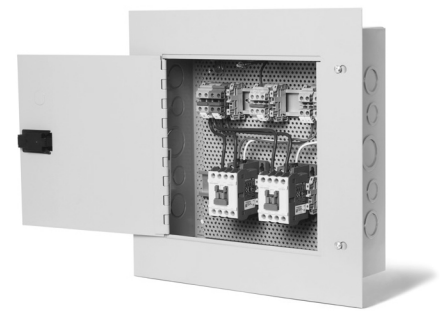
The Contactor Panel adds digital timer functionality to Infratech Simple On/Off Switches and Duplex/Stack Switches.

- Compatible with all Infratech single element or dual element heaters.
- Enables integration of timers and other 120 VAC controls, including smart switches.
- Maximum 6,000 watts, range 240 VAC per contactor.
- Ideal for indoor surface mount or flush mount applications (Type 1 enclosures, for indoor use only).
- Electrical wiring diagrams provided for installation.

CONTACTOR RELAY PANELS



14-4700 CP-6000-1X Single Contactor Panel w/Cover — Digital Timer included

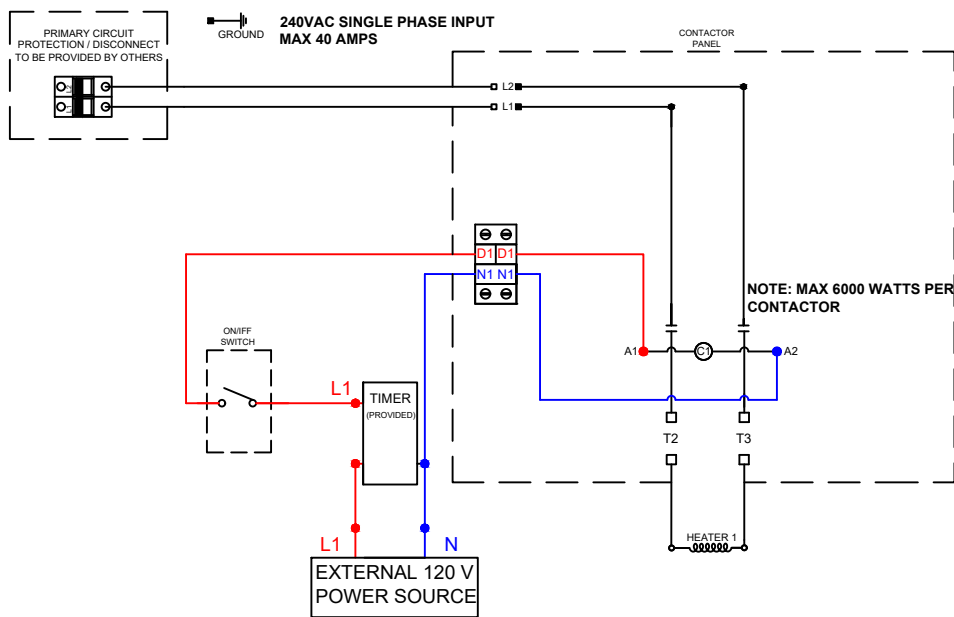


*Optional Flush Mount
Access Door sold separately
14-4790*



14-4710 CP-12000-2X Dual Contactor Panel w/Cover — Digital Timer included

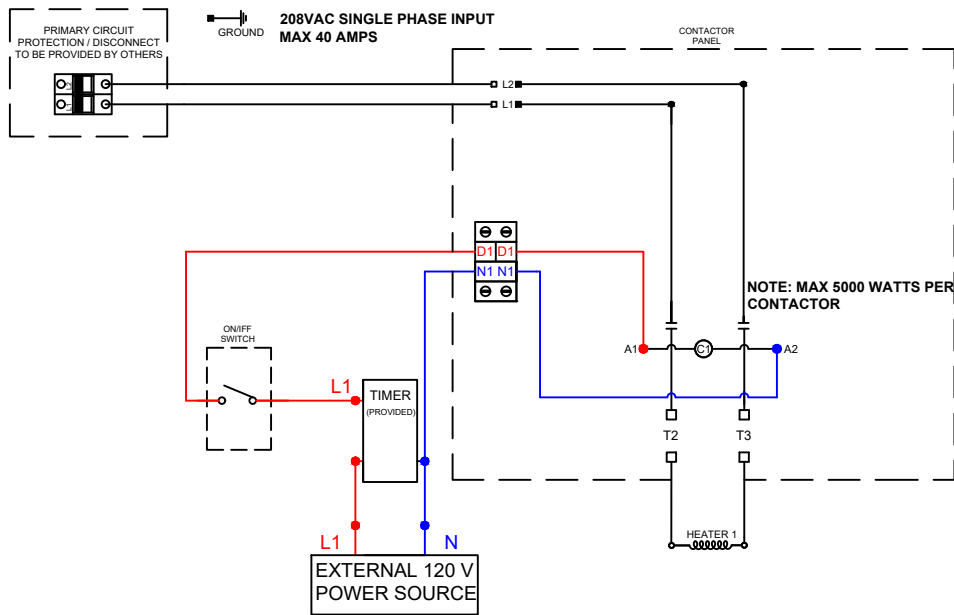
FOR USE WITH 240VAC HEATERS



TOTAL WATTAGE OF HEATER(S)	MAIN FEED AMPERAGE
1500	8
2000	11
2500	14
3000	16
3500	19
4000	21
4500	24
5000	27
5500	29
6000	32

- NOTES:
1. ALL INFRA TECH PRODUCTS MUST BE INSTALLED BY A LICENSED ELECTRICIAN
 2. RETIGHTEN CONNECTIONS YEARLY
 3. TYPE 1 ENCLOSURE- INDOOR USE ONLY
 4. NOT COMPATIBLE WITH INF CONTROLS
 5. DESIGNED FOR USE WITH ENCLOSED 4 HOUR MAX TIMER

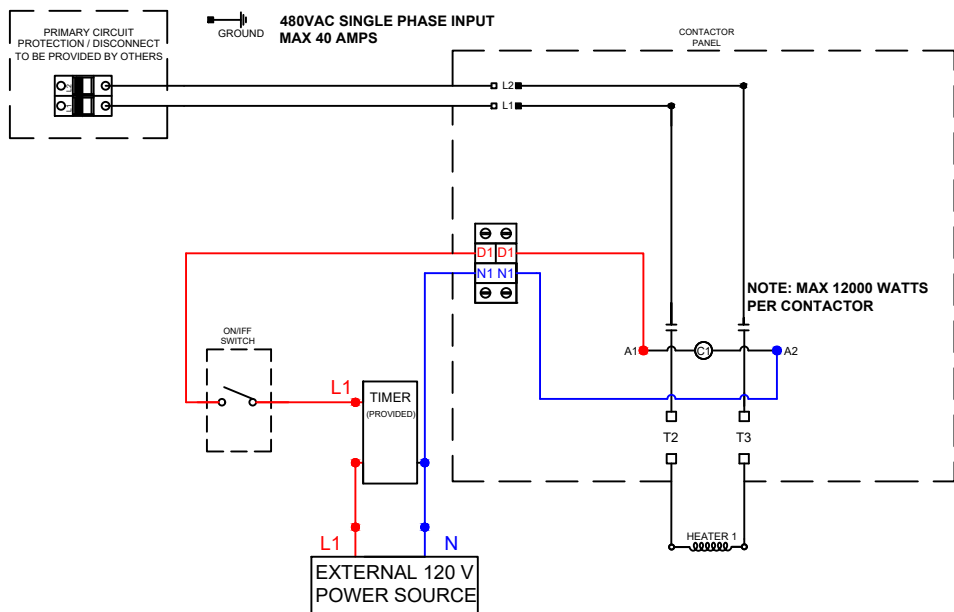
FOR USE WITH 208VAC HEATERS



TOTAL WATTAGE OF HEATER(S)	MAIN FEED AMPERAGE
1500	10
2000	13
2500	16
3000	19
3500	22
4000	25
4500	28
5000	31

- NOTES:
1. ALL INFRA TECH PRODUCTS MUST BE INSTALLED BY A LICENSED ELECTRICIAN
 2. RETIGHTEN CONNECTIONS YEARLY
 3. TYPE 1 ENCLOSURE- INDOOR USE ONLY
 4. NOT COMPATIBLE WITH INF CONTROLS
 5. DESIGNED FOR USE WITH ENCLOSED 4 HOUR MAX TIMER

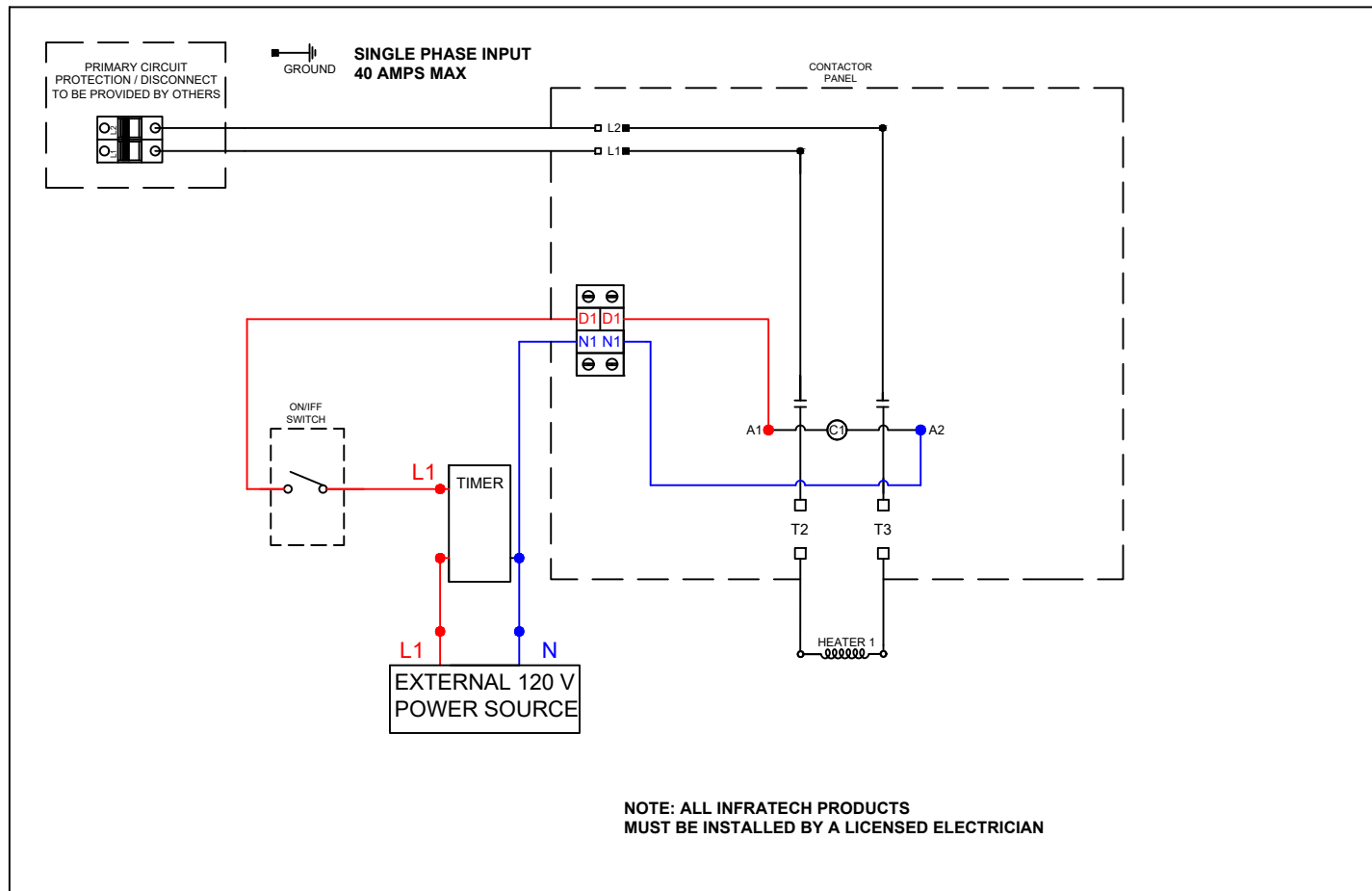
FOR USE WITH 480VAC HEATERS



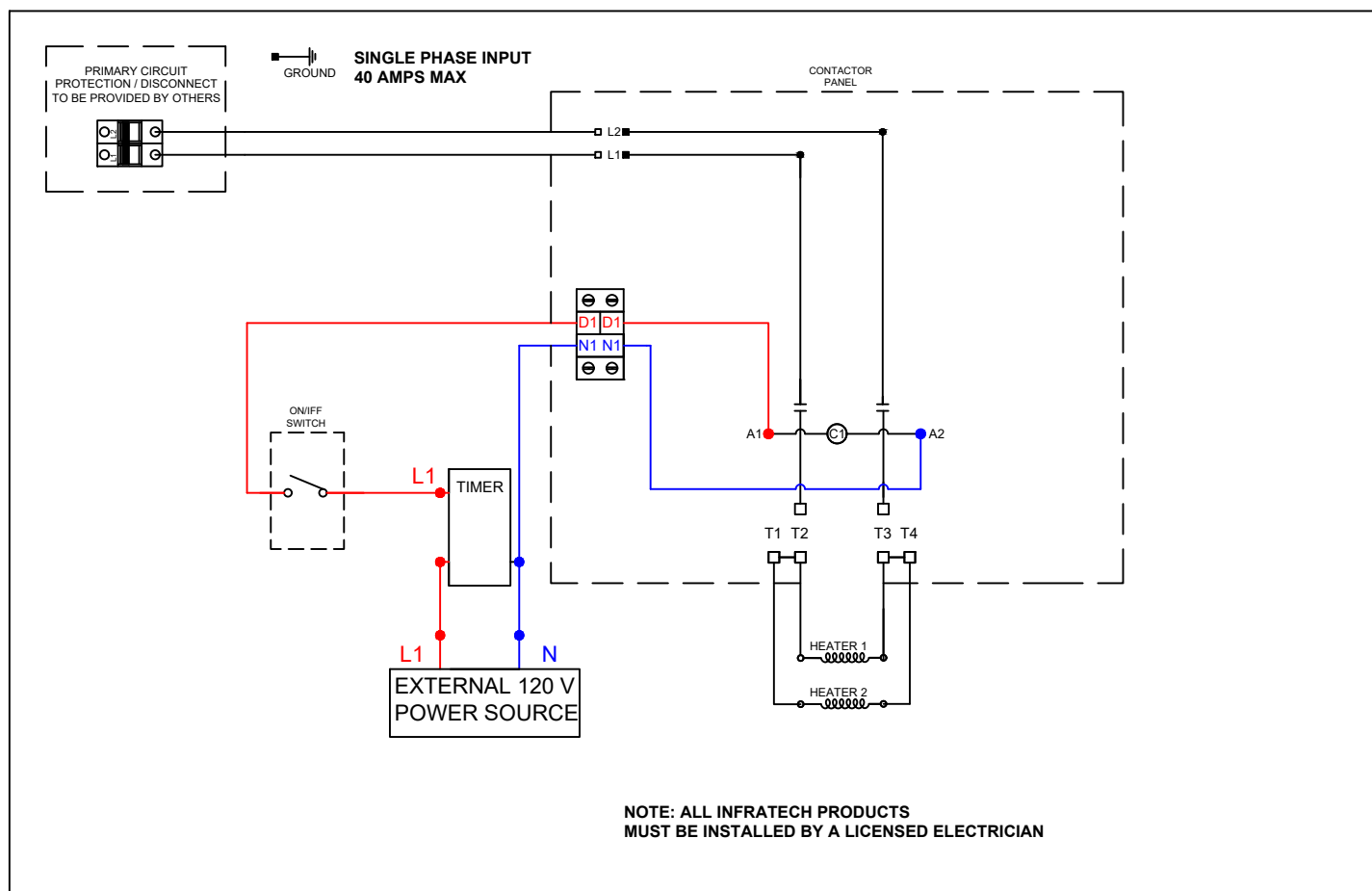
TOTAL WATTAGE OF HEATER(S)	MAIN FEED AMPERAGE
1500	4
2000	6
2500	7
3000	8
3500	10
4000	11
4500	12
5000	14
5500	15
6000	16
6500	17
7000	19
7500	20
8000	21
8500	23
9000	24
9500	25
10000	27
10500	28
11000	29
11500	30
12000	32

- NOTES:
1. ALL INFRA TECH PRODUCTS MUST BE INSTALLED BY A LICENSED ELECTRICIAN
 2. RETIGHTEN CONNECTIONS YEARLY
 3. TYPE 1 ENCLOSURE- INDOOR USE ONLY
 4. NOT COMPATIBLE WITH INF CONTROLS
 5. DESIGNED FOR USE WITH ENCLOSED 4 HOUR MAX TIMER

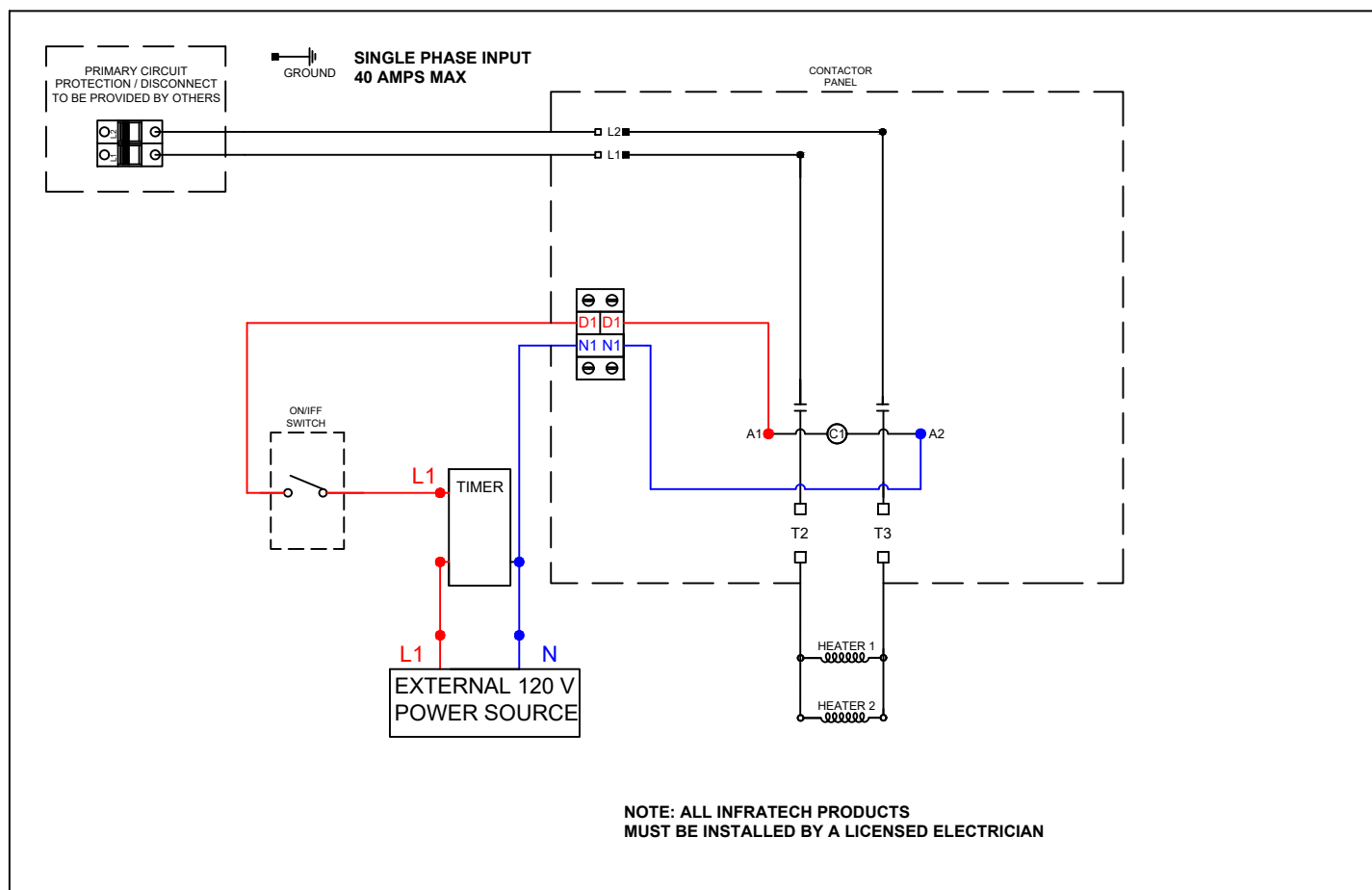
SINGLE CONTACTOR WITH ONE HEATER



JUMPERED CONTACTOR WITH MULTIPLE HEATERS

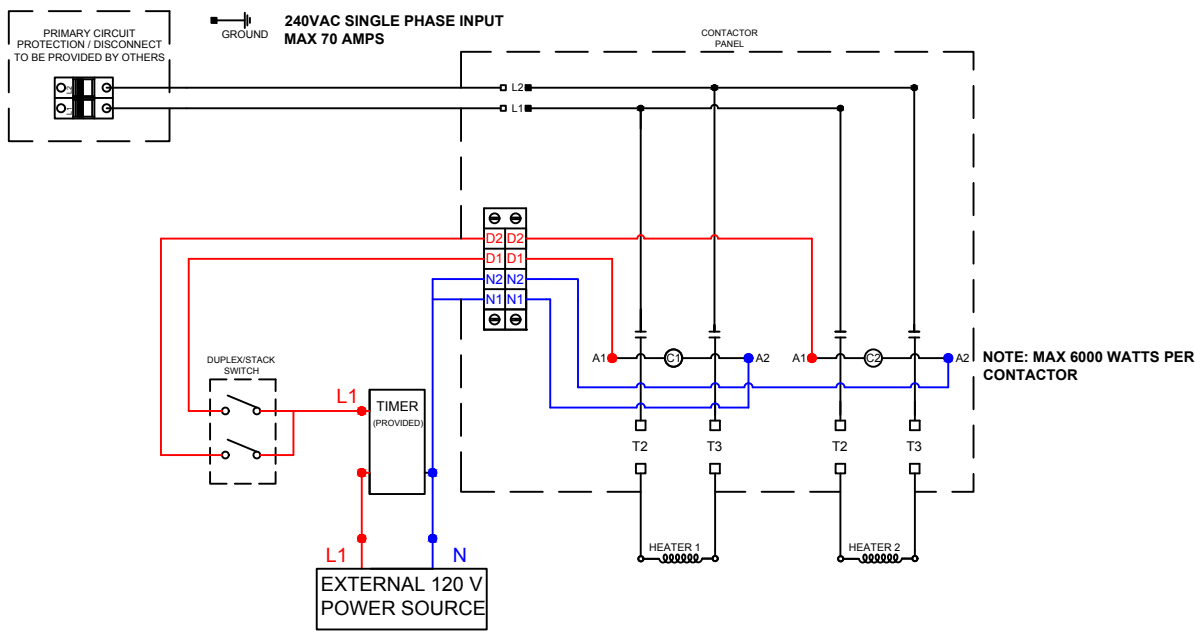


SINGLE CONTACTOR WITH MULTIPLE HEATERS



INFRATECH		15700 S. Figueroa St. Gardena, California 90248 Phone: (310) 354-1250 Fax: (310) 523-3674
DESCRIPTION SINGLE CONTACTOR PANEL SAMPLE CONFIGURATIONS		
DATE	ITEM#	PART#
JUL 22, 2021	CP-6000-1X	14-4700
	DWG#	CPDIAG1

FOR USE WITH 240VAC HEATERS

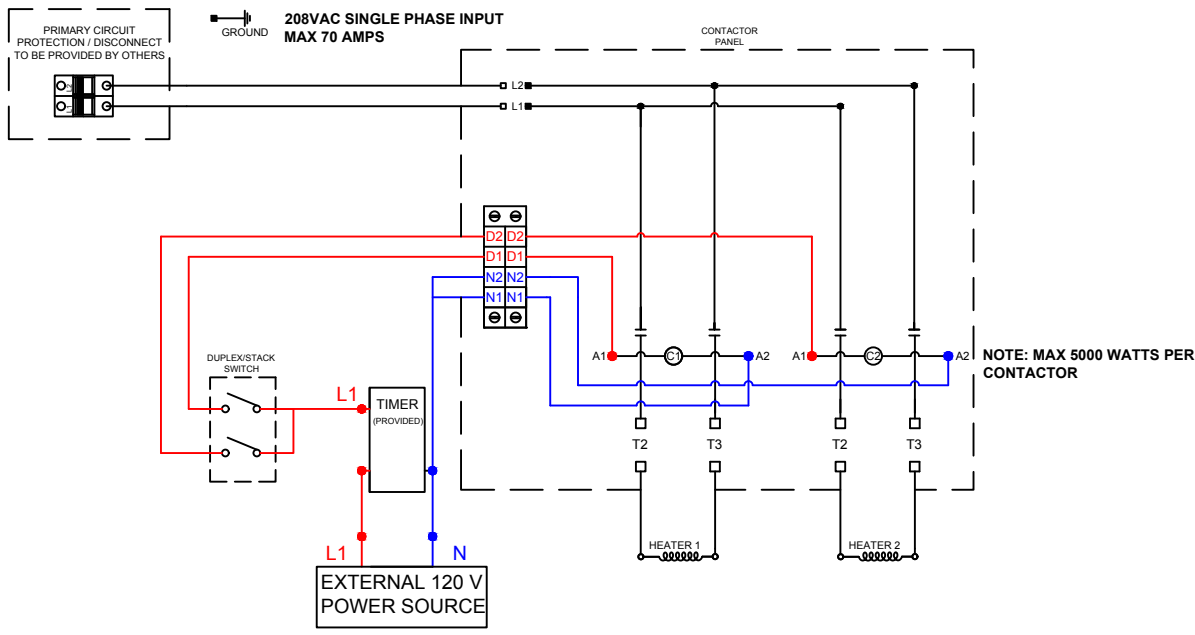


TOTAL WATTAGE OF HEATER(S)	MAIN FEED AMPERAGE
1500	8
2000	11
2500	14
3000	16
3500	19
4000	21
4500	24
5000	27
5500	29
6000	32
6500	34
7000	37
7500	40
8000	42
8500	45
9000	47
9500	50
10000	53
10500	55
11000	58
11500	60
12000	63

- NOTES:
1. ALL INFRATECH PRODUCTS MUST BE INSTALLED BY A LICENSED ELECTRICIAN
 2. RETIGHTEN CONNECTIONS YEARLY
 3. TYPE 1 ENCLOSURE- INDOOR USE ONLY
 4. NOT COMPATIBLE WITH INF CONTROLS
 5. DESIGNED FOR USE WITH ENCLOSED 4 HOUR MAX TIMER

NOTE: MAX 6000 WATTS PER CONTACTOR

FOR USE WITH 208VAC HEATERS

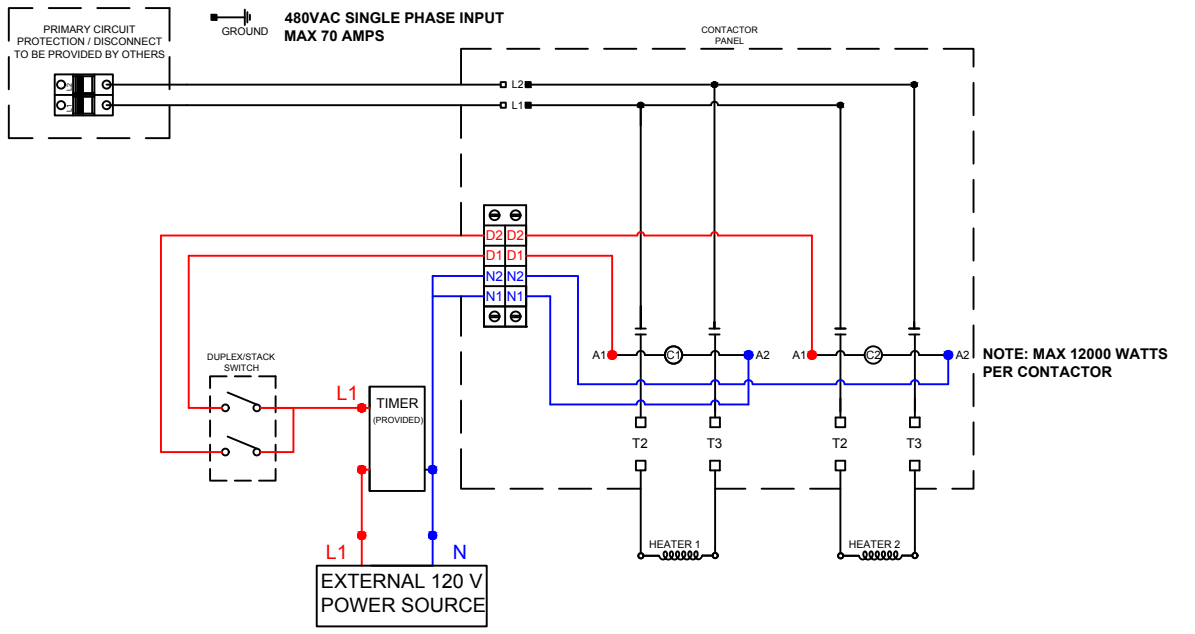


TOTAL WATTAGE OF HEATER(S)	MAIN FEED AMPERAGE
1500	10
2000	13
2500	16
3000	19
3500	22
4000	25
4500	28
5000	31
5500	34
6000	37
6500	40
7000	43
7500	46
8000	49
8500	52
9000	55
9500	58
10000	61

- NOTES:
1. ALL INFRATECH PRODUCTS MUST BE INSTALLED BY A LICENSED ELECTRICIAN
 2. RETIGHTEN CONNECTIONS YEARLY
 3. TYPE 1 ENCLOSURE- INDOOR USE ONLY
 4. NOT COMPATIBLE WITH INF CONTROLS
 5. DESIGNED FOR USE WITH ENCLOSED 4 HOUR MAX TIMER

NOTE: MAX 5000 WATTS PER CONTACTOR

FOR USE WITH 480VAC HEATERS



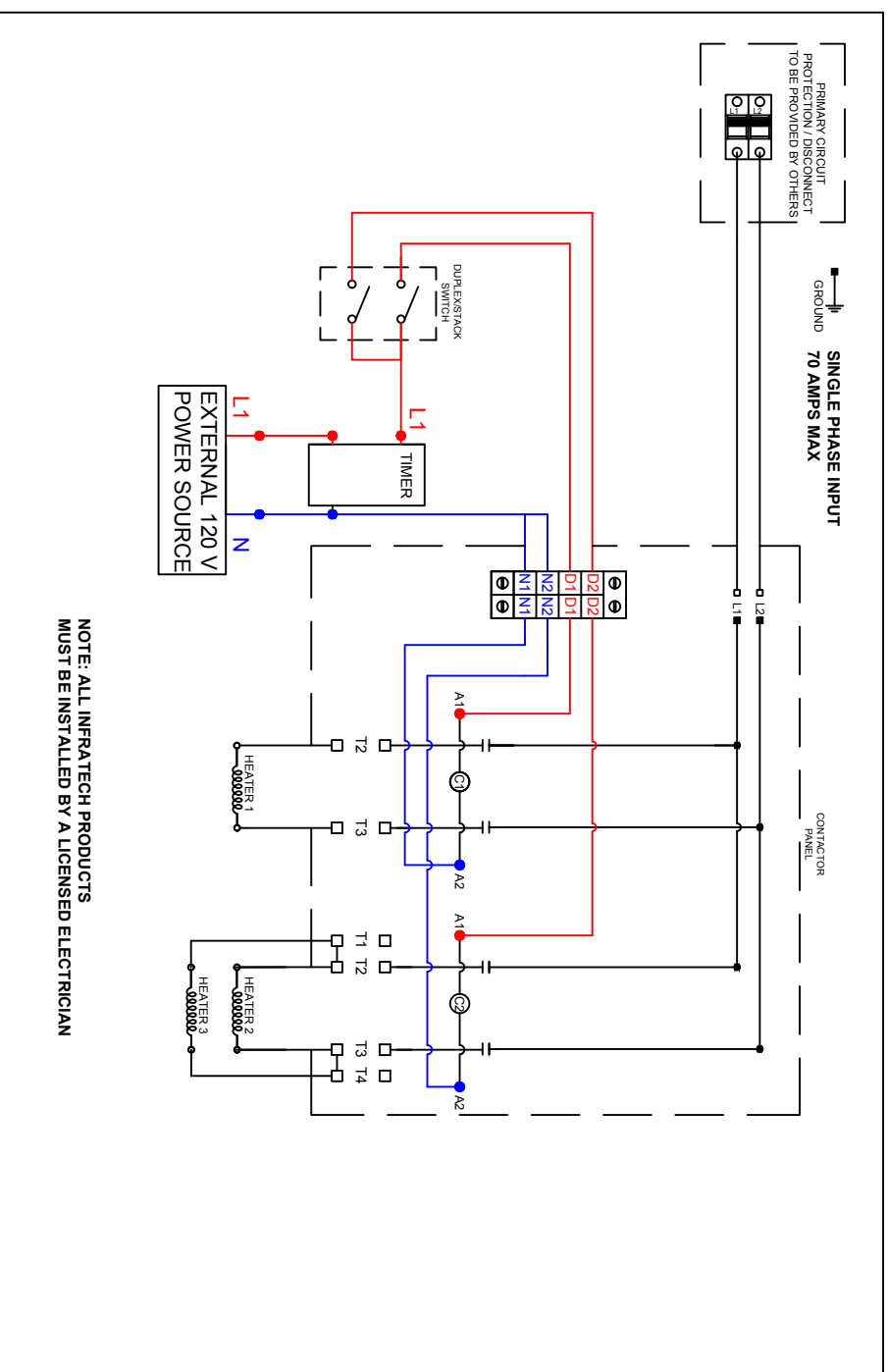
TOTAL WATTAGE OF HEATER(S)	MAIN FEED AMPERAGE
1500	4
2000	6
2500	7
3000	8
3500	10
4000	11
4500	12
5000	14
5500	15
6000	16
6500	17
7000	19
7500	20
8000	21
8500	23
9000	24
9500	25
10000	27
10500	28
11000	29
11500	30
12000	32
12500	33
13000	34
13500	36
14000	37
14500	38
15000	40
15500	41
16000	42
16500	43
17000	45
17500	46
18000	47
18500	49
19000	50
19500	51
20000	53
20500	54
21000	55
21500	56
22000	58
22500	59
23000	60
23500	62
24000	63

- NOTES:
1. ALL INFRATECH PRODUCTS MUST BE INSTALLED BY A LICENSED ELECTRICIAN
 2. RETIGHTEN CONNECTIONS YEARLY
 3. TYPE 1 ENCLOSURE- INDOOR USE ONLY
 4. NOT COMPATIBLE WITH INF CONTROLS
 5. DESIGNED FOR USE WITH ENCLOSED 4 HOUR MAX TIMER

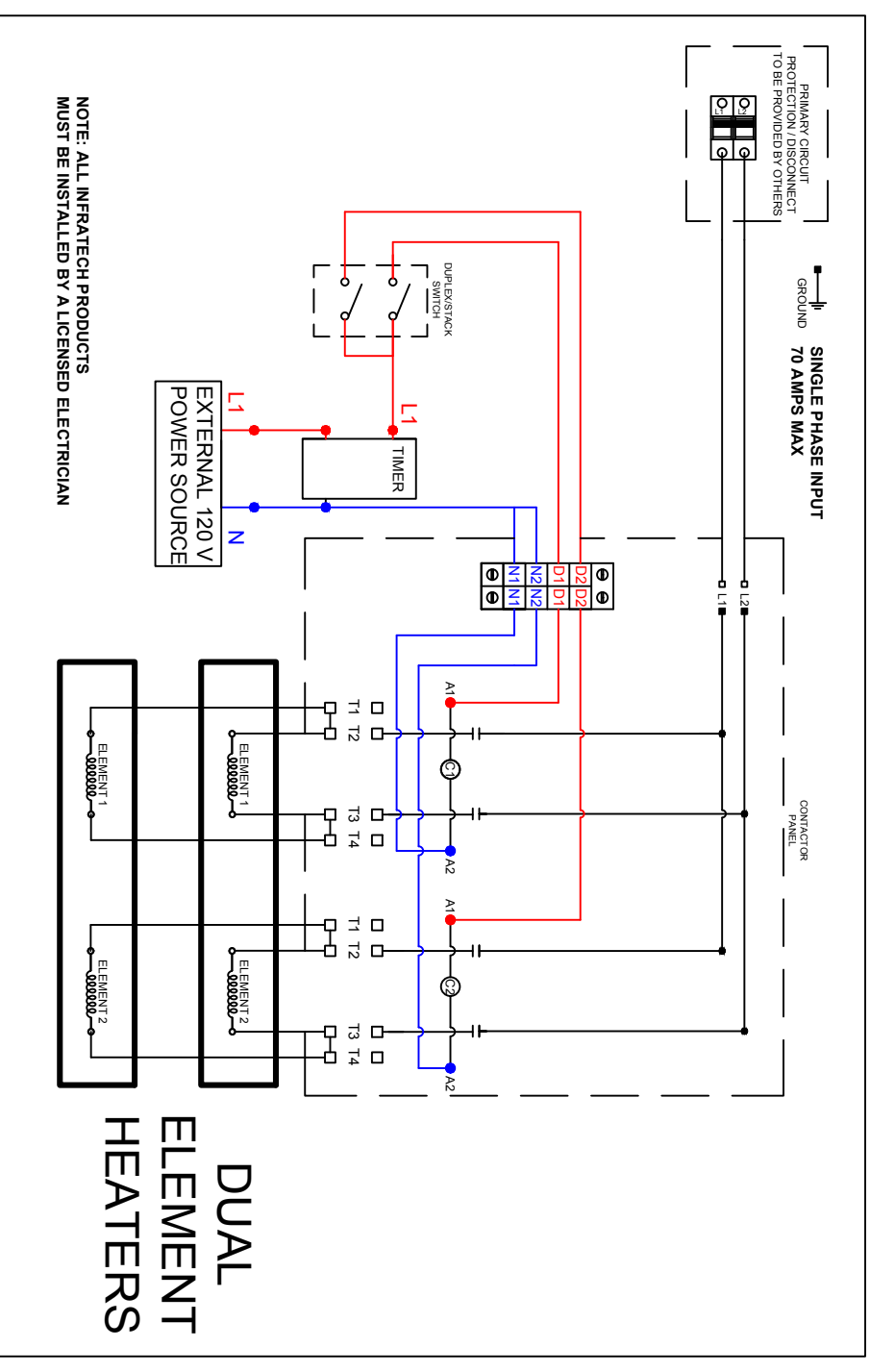
NOTE: MAX 12000 WATTS PER CONTACTOR

DESCRIPTION	DUAL CONTACTOR PANEL WITH PROVIDED TIMER SINGLE PHASE MAX 70 AMP MAIN FEED
PART#	14-4710
DATE	JUL 21, 2021
ITEM#	CP-12000-2X
DWG#	CPDIAG2

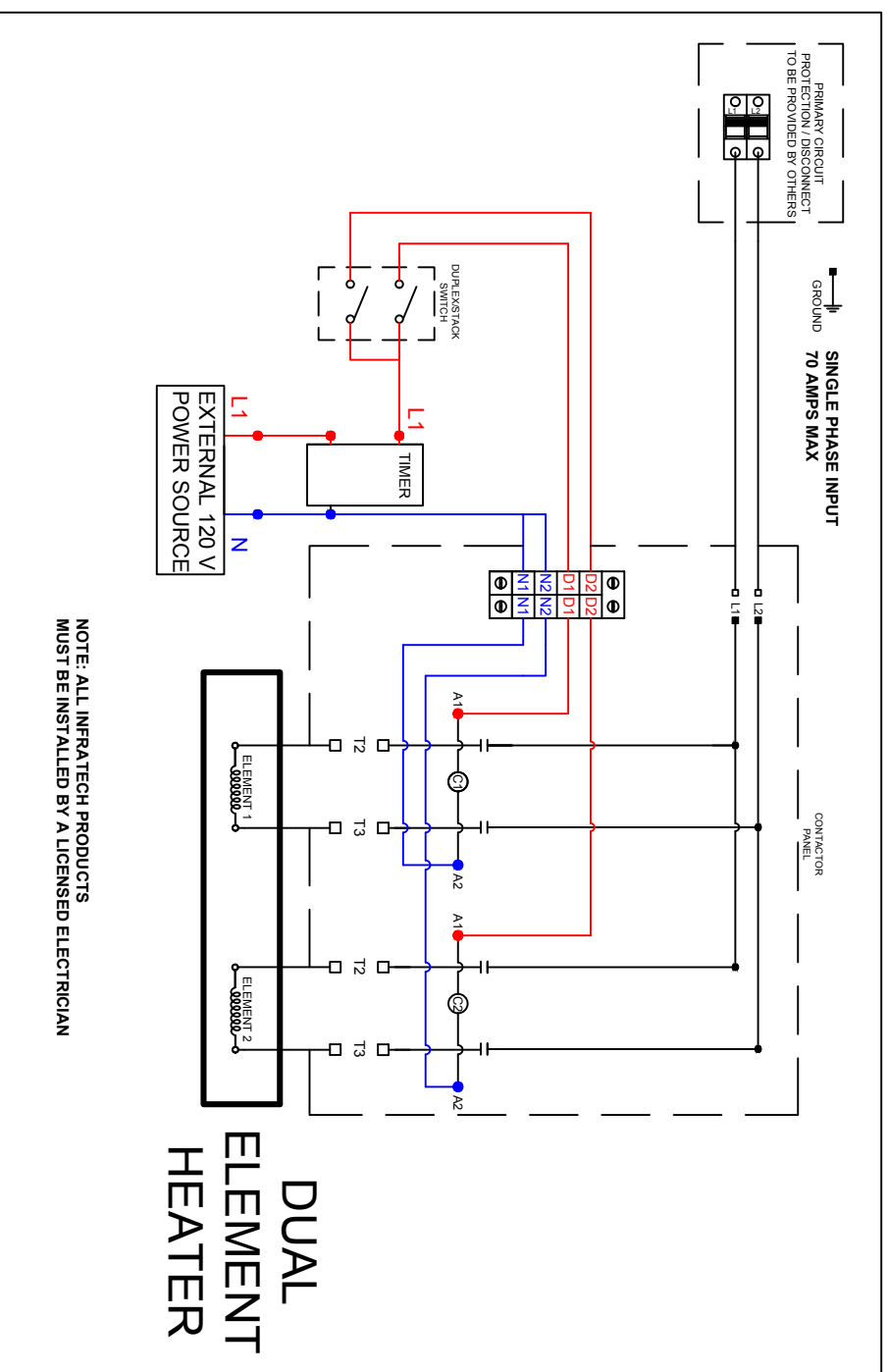
MULTIPLE HEATERS ON A CONTACTOR



HALF POWER FOR TWO HEATERS



HALF POWER FOR ONE HEATER



NOTE:
ORANGE TERMINAL BLOCK
JUMPER INCLUDED FOR
TYING D1 AND D2
TOGETHER IF THAT IS
DESIRED ZONING.

INFRA TECH
 www.infra-tech-usa.com
 344 W 157th Street
 Gardena, California 90248
 Phone: (310) 354-1250
 Fax: (310) 523-3674

DESCRIPTION
 DUAL CONTACTOR PANEL
 SAMPLE CONFIGURATIONS

PART#	14-4710
ITEM#	CP-12000-2X
DWG#	CPDIAG2
DATE	JUL 21, 2021