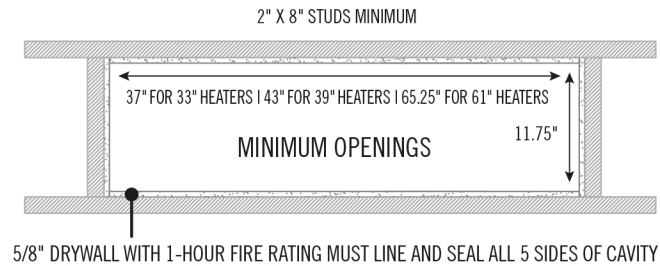




FLUSH MOUNT YOUR HEATER IN FOUR SIMPLE STEPS

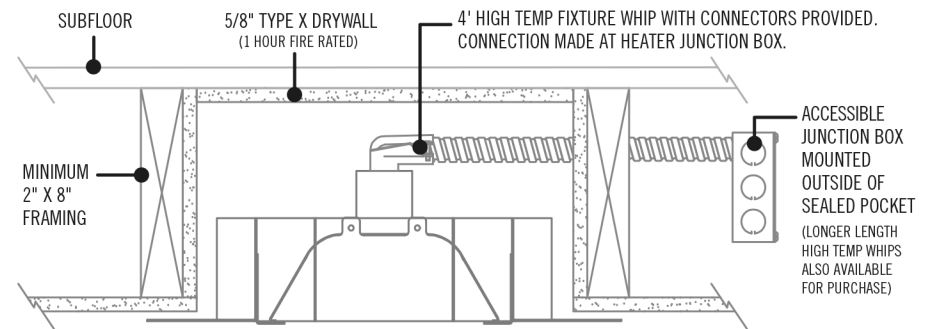
STEP 1

Frame the pocket that will house the heater with a one hour-rated fire containment box.
 Note: Frame and heaters cannot be mounted on a sloped/pitched ceiling.



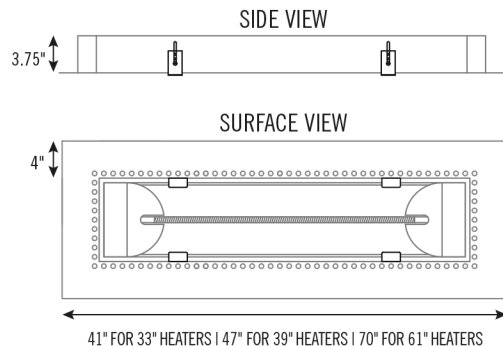
STEP 2

The junction box must be mounted outside of the lined pocket. You can choose to mount the junction box in a variety of locations, depending upon where you'll be accessing it.



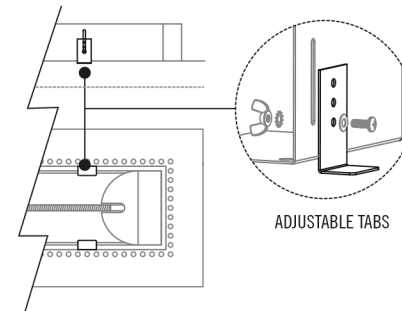
STEP 3

Install the frame into the finished pocket. You may choose to leave all four inches of the trim exposed, or partially cover it with a decorative ceiling (1/2" clearance is required from ventilation holes).



STEP 4

Install the heater (heater must face horizontal to the floor) and adjust the tabs to set the heater flush with finished ceiling.

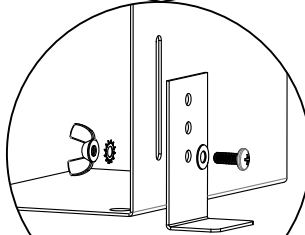
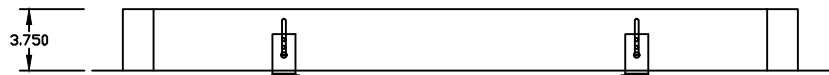
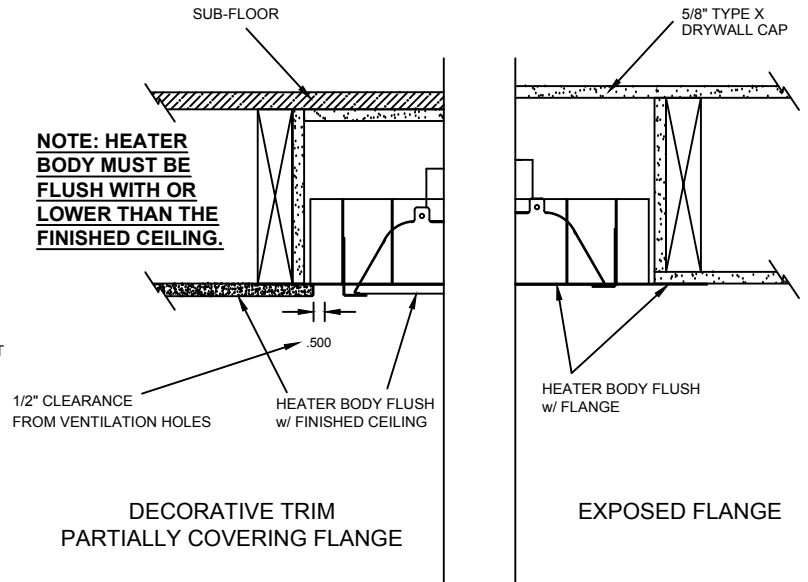
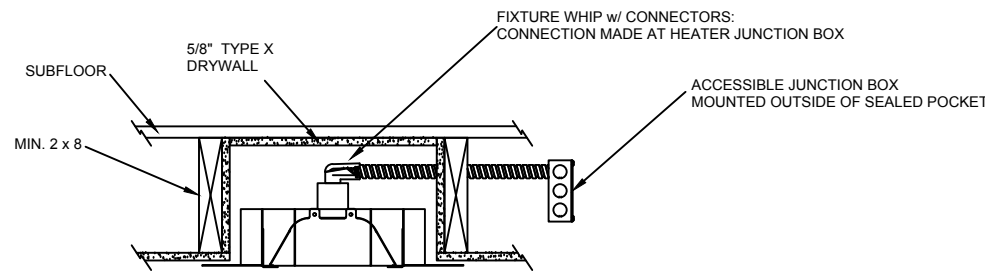
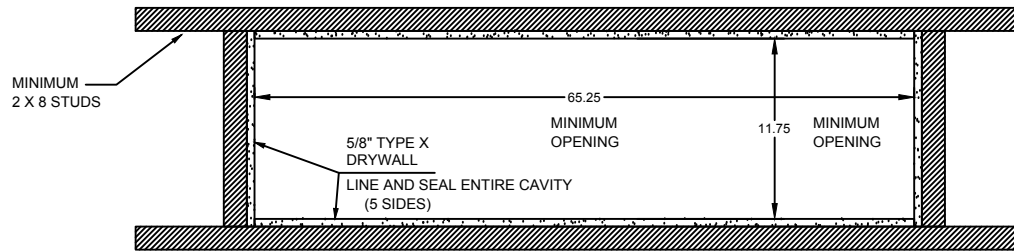


SCAN FOR VIDEO INSTRUCTIONS

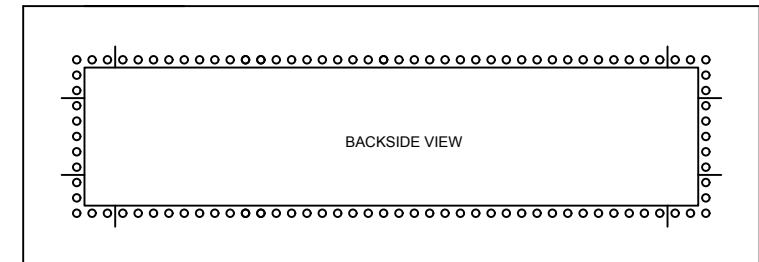
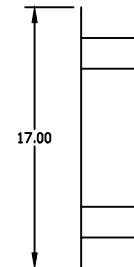
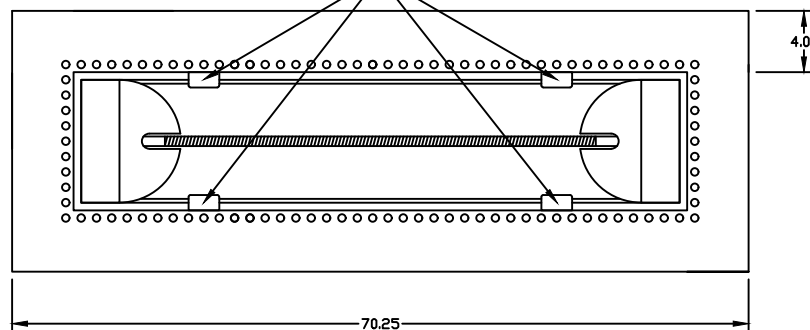


WARNING: Frame and heaters cannot be flush mounted on a sloped/pitched ceiling. Flush mount applications must always be installed with heaters horizontal to the floor on a flat, non-sloped ceiling.

INSTALLATION TYPES



SURFACE VIEW



WARNINGS:

Do not use Surface Mount Brackets. This Frame is ONLY to be used on a flat non-sloped ceiling. Heater Body must face straight down and be flush with the finished ceiling. Frame and Heater cannot be installed on a pitched angle. Accessible Junction Box must be installed outside of sealed drywall pocket. Must use 5/8" type "X" drywall. Must use supplied 4 foot Hi-Temp Fixture Whip and Hi-Temp Ceramic Wire Nuts. Please contact factory for longer length Hi-Temp Fixture Whips available for purchase. Discard Surface Mounting Brackets provided with Heater and use "L" Brackets. Use Licensed Electrician ONLY.

NOTES:

Heater suspends (Gravity) by resting on adjustable "L" Brackets in flush mount fixture. Mounting holes on Surface Flange to be determined and drilled by Contractor/Installer. Coil excess flex into heater cavity.

After 4 hours of continuous use, a 15 minute cool down period is recommended for maximum heater longevity. See controls brochure for timer options.

INFRA TECH www.infratech-usa.com		344 W 157th Street Gardena, California 90248 Phone: (310) 354-1250 Fax: (310) 523-3674	
		ITEM #: 18-2305	MATERIAL: 304 S.S. #4 FINISH
DESCRIPTION: W-61 FLUSH MOUNT FRAME (FOR USE WITH 61 1/4" HEATERS)			
NOTES: SUPPLIED w/ HI-TEMP FIXTURE WHIP			
DATE: Dec. 16, 2019	SCALE: N/A	DRAWN BY: CL	