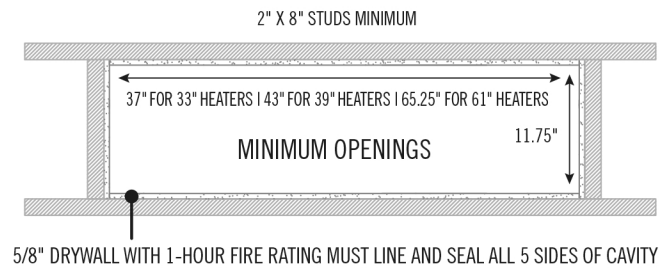




## FLUSH MOUNT YOUR HEATER IN FOUR SIMPLE STEPS

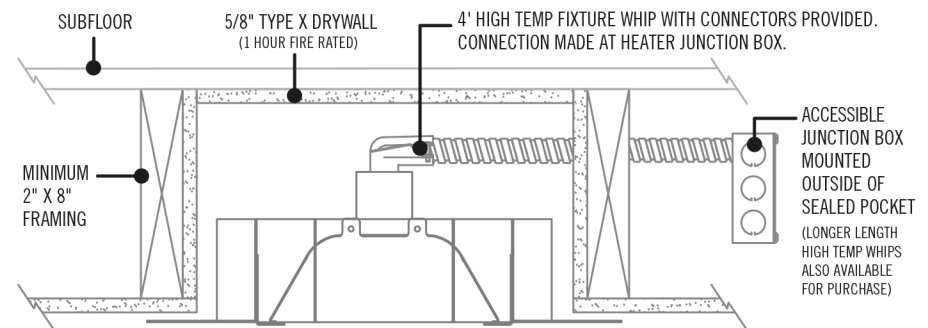
### STEP 1

Frame the pocket that will house the heater with a one hour-rated fire containment box.  
 Note: Frame and heaters cannot be mounted on a sloped/pitched ceiling.



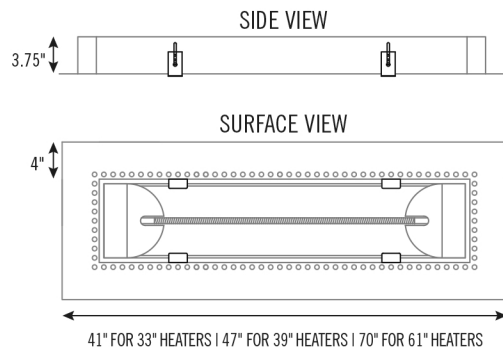
### STEP 2

The junction box must be mounted outside of the lined pocket. You can choose to mount the junction box in a variety of locations, depending upon where you'll be accessing it.



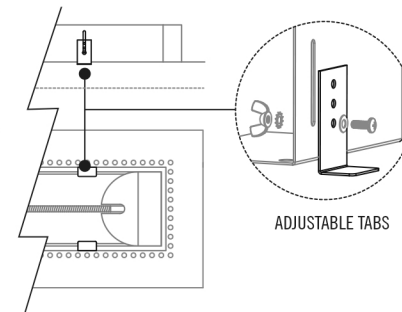
### STEP 3

Install the frame into the finished pocket. You may choose to leave all four inches of the trim exposed, or partially cover it with a decorative ceiling (1/2" clearance is required from ventilation holes).



### STEP 4

Install the heater (heater must face horizontal to the floor) and adjust the tabs to set the heater flush with finished ceiling.

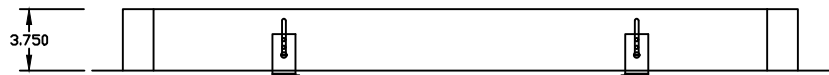
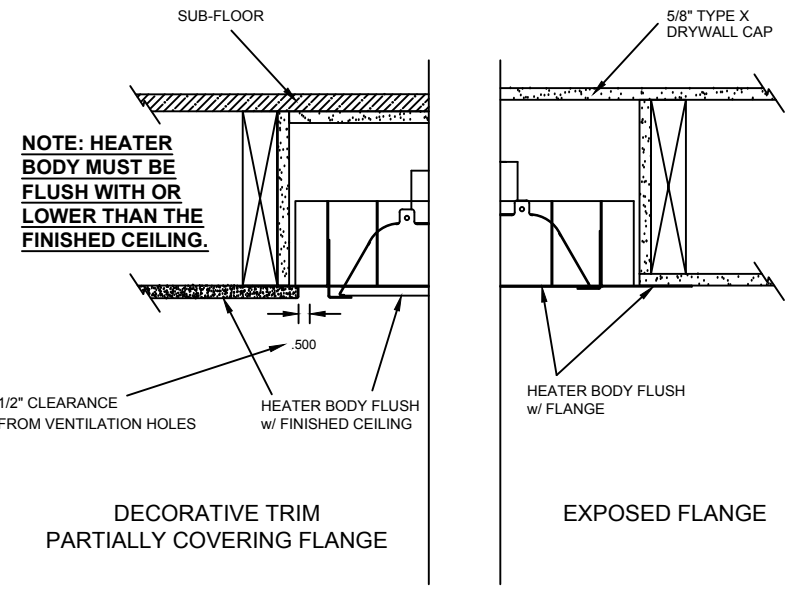
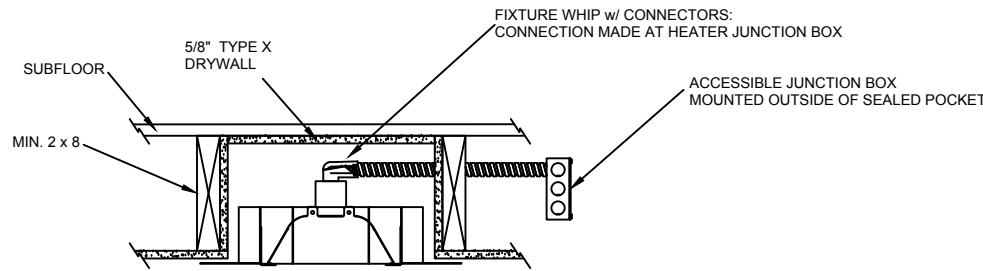
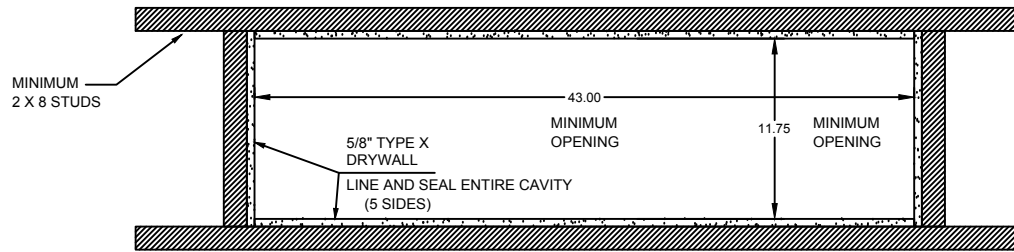


SCAN FOR VIDEO INSTRUCTIONS

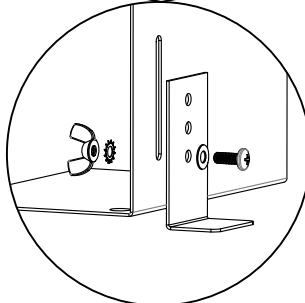


**WARNING:** Frame and heaters cannot be flush mounted on a sloped/pitched ceiling. Flush mount applications must always be installed with heaters horizontal to the floor on a flat, non-sloped ceiling.

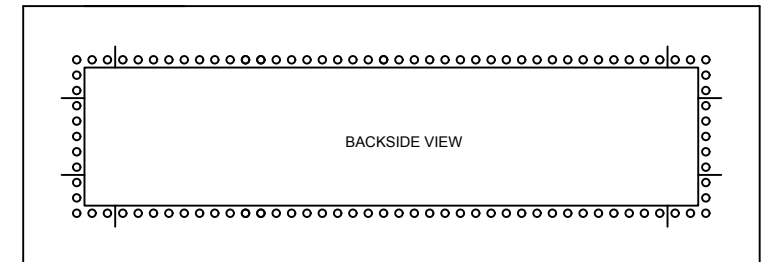
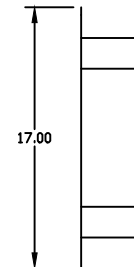
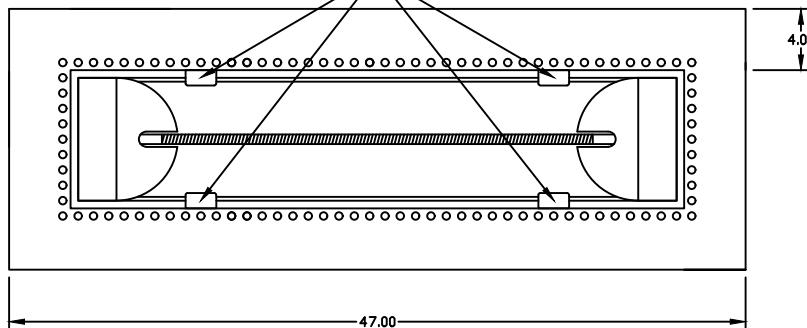
# INSTALLATION TYPES



ADJUSTABLE "L" BRACKETS



SURFACE VIEW



**WARNINGS:**  
 Do not use Surface Mount Brackets. This Frame is ONLY to be used on a flat non-sloped ceiling. Heater Body must face straight down and be flush with the finished ceiling. Frame and Heater cannot be installed on a pitched angle. Accessible Junction Box must be installed outside of sealed drywall pocket. Must use 5/8" type "X" drywall. Must use supplied 4 foot Hi-Temp Fixture Whip and Hi-Temp Ceramic Wire Nuts. Please contact factory for longer length Hi-Temp Fixture Whips available for purchase. Discard Surface Mounting Brackets provided with Heater and use "L" Brackets. Use Licensed Electrician ONLY.

**NOTES:**  
 Heater suspends (Gravity) by resting on adjustable "L" Brackets in flush mount fixture. Mounting holes on Surface Flange to be determined and drilled by Contractor/Installer. Coil excess flex into heater cavity.

*After 4 hours of continuous use, a 15 minute cool down period is recommended for maximum heater longevity. See controls brochure for timer options.*

<b>INFRA TECH</b> www.infratech-usa.com		344 W 157th Street Gardena, California 90248 Phone: (310) 354-1250 Fax: (310) 523-3674
ITEM #:	18-2300	MATERIAL: 304 S.S. #4 FINISH
DESCRIPTION:	W-39 FLUSH MOUNT FRAME (FOR USE WITH 39" HEATERS)	
NOTES:	SUPPLIED w/ HI-TEMP FIXTURE WHIP	
DATE:	SCALE:	DRAWN BY:
Dec. 16, 2019	N/A	CL