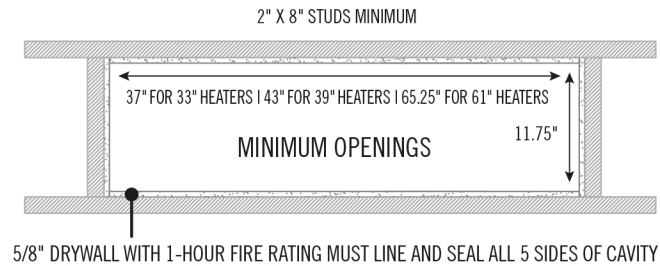




FLUSH MOUNT YOUR HEATER IN FOUR SIMPLE STEPS

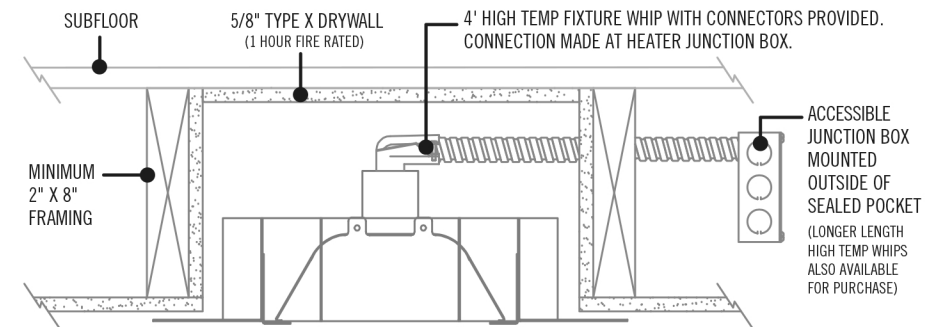
STEP 1

Frame the pocket that will house the heater with a one hour-rated fire containment box.
 Note: Frame and heaters cannot be mounted on a sloped/pitched ceiling.



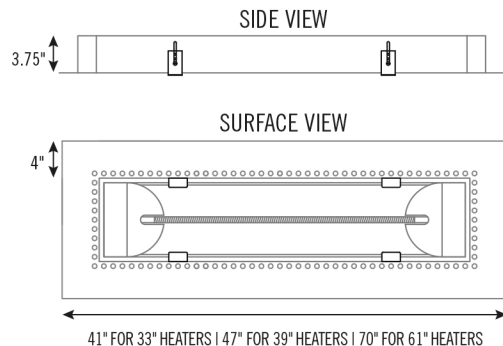
STEP 2

The junction box must be mounted outside of the lined pocket. You can choose to mount the junction box in a variety of locations, depending upon where you'll be accessing it.



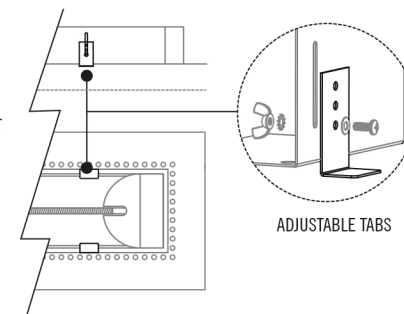
STEP 3

Install the frame into the finished pocket. You may choose to leave all four inches of the trim exposed, or partially cover it with a decorative ceiling (1/2" clearance is required from ventilation holes).



STEP 4

Install the heater (heater must face horizontal to the floor) and adjust the tabs to set the heater flush with finished ceiling.

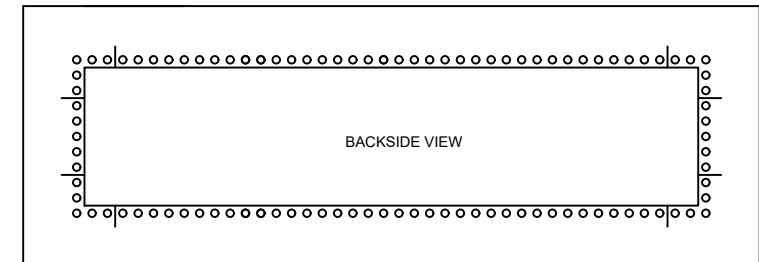
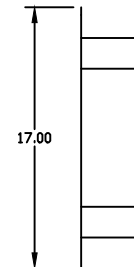
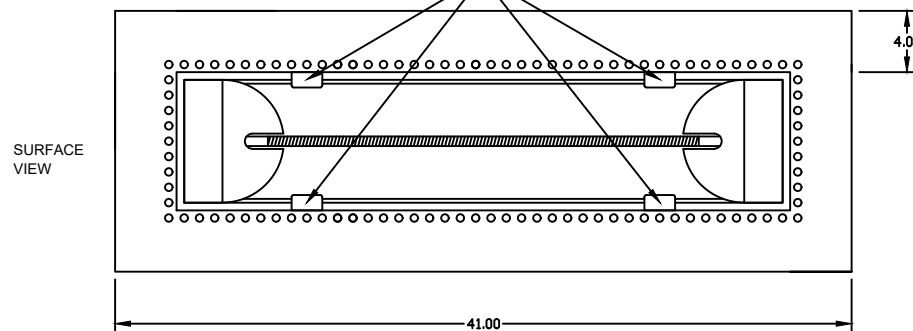
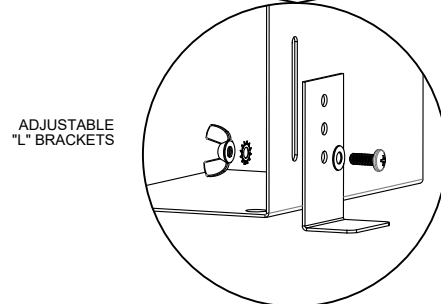
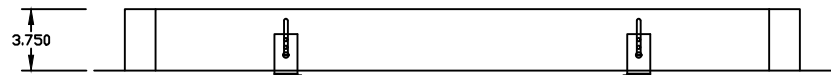
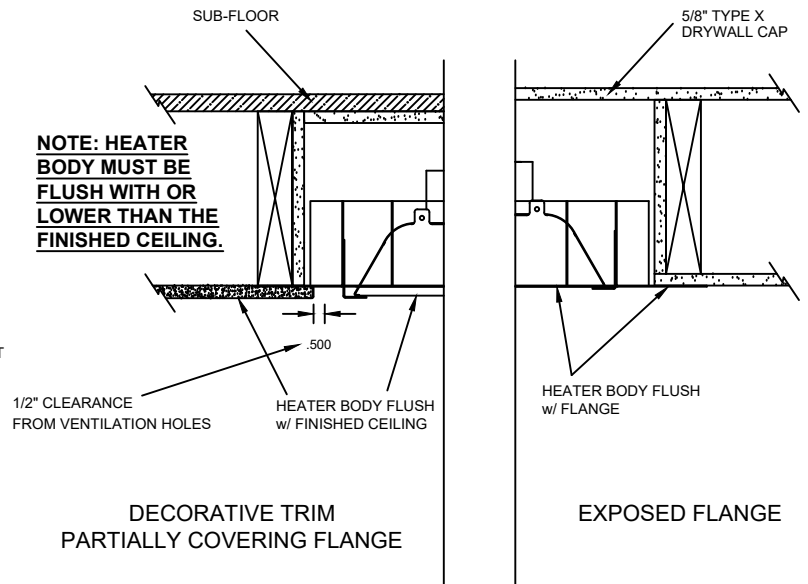
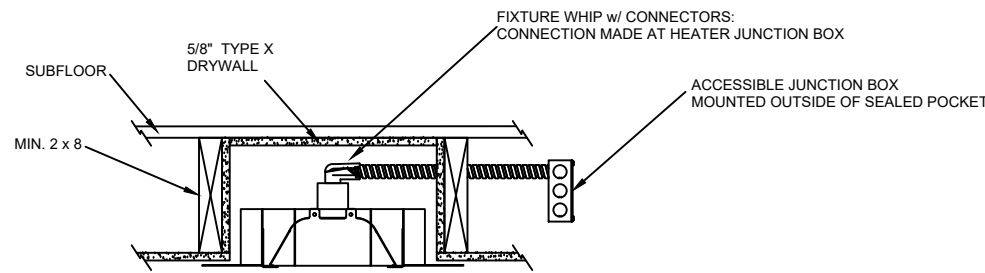
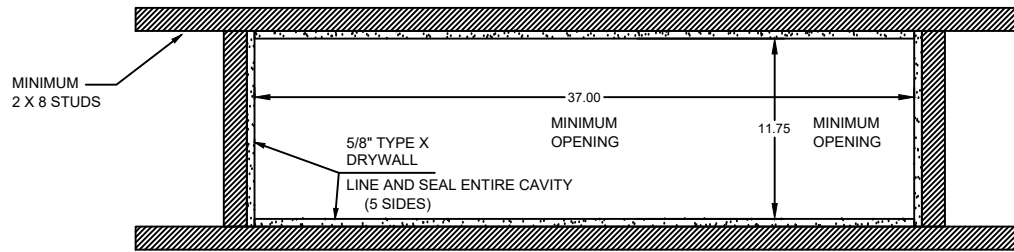


SCAN FOR VIDEO INSTRUCTIONS



WARNING: Frame and heaters cannot be flush mounted on a sloped/pitched ceiling. Flush mount applications must always be installed with heaters horizontal to the floor on a flat, non-sloped ceiling.

INSTALLATION TYPES



- WARNINGS:**
- Do not use Surface Mount Brackets.
 - This Frame is **ONLY** to be used on a flat non-sloped ceiling.
 - Heater Body must face straight down and **be flush with the finished ceiling.**
 - Frame and Heater cannot be installed on a pitched angle.
 - Accessible Junction Box must be installed outside of sealed drywall pocket.
 - Must use $\frac{5}{8}$ " type "X" drywall.
 - Must use supplied 4 foot Hi-Temp Fixture Whip and Hi-Temp Ceramic Wire Nuts.
 - **Please contact factory for longer length Hi-Temp Fixture Whips available for purchase.**
 - Discard Surface Mounting Brackets provided with Heater and use "L" Brackets.
 - Use Licensed Electrician **ONLY.**

- NOTES:**
- Heater suspends (Gravity) by resting on adjustable "L" Brackets in flush mount fixture.
 - Mounting holes on Surface Flange to be determined and drilled by Contractor/Installer.
 - Coil excess flex into heater cavity.

After 4 hours of continuous use, a 15 minute cool down period is recommended for maximum heater longevity. See controls brochure for timer options.

INFRATECH www.infratech-usa.com		15700 S. Figueroa St. Gardena, California 90248 Phone: (310) 354-1250 Fax: (310) 523-3674
ITEM #:	18-2295	MATERIAL: 304 S.S. #4 FINISH
DESCRIPTION: W-33 FLUSH MOUNT FRAME (FOR USE WITH 33" HEATERS)		
NOTES: SUPPLIED w/ HI-TEMP FIXTURE WHIP		
DATE:	SCALE:	DRAWN BY:
Dec. 16, 2019	N/A	CL