

Forum Drain Pan
SF-OD43-DP, SF-OD55-DP
Model: SF-OD43, SF-OD55
Installation Instructions -



Leave this manual with party responsible for use and operation.

CAUTION! Risk of Cuts, Abrasions or Flying Debris.
Wear protective gloves and safety glasses during installation. Sheet metal edges are sharp.

CAUTION! Do not install damaged components.

INTRODUCTION

The drain pan is designed to channel moisture to the front of the enclosure. Care must be taken to ensure there is a 1/4" slope per foot in the enclosure to make sure water is drained away from appliance. The Forum (SF-OD43/SF-OD55) appliance may be shimmed under the aluminum feet to remain plumb with the enclosure's framing.

TOOLS & SUPPLIES NEEDED

- Construction Screws and Driver
- Flashing / Waterproof Membrane as needed.
- Silicone suitable for outdoor use.

BEFORE YOU BEGIN

When installing, the drain pan must be attached to the framed opening of the appliance enclosure. Silicone should be applied to the back corners of the drain pan to completely seal pan. The bottom of the drain pan can be installed and adhered with silicone directly on top of enclosure or waterproof membrane. This pan can be modified to allow the most effective means of shedding moisture from the enclosure.

INSTALLATION INSTRUCTIONS

1. Prior to installing the drain pan, flash the rough opening platform in a manner consistent with regional practices and local codes to prevent water penetration into moisture sensitive construction materials.
2. Silicone rear corners of drain pan, apply silicone to the underside of the drain pan to adhere it to the bottom of the rough appliance opening. See Figure 1.

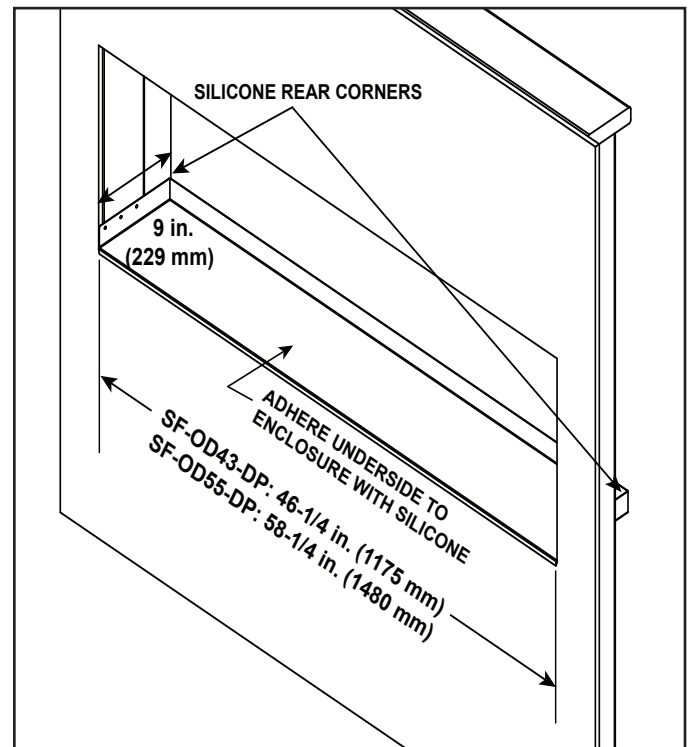


Figure 1 Attach Drain Pan to Appliance

3. Position drain pan lip on front of enclosure so water drains to front of enclosure. The membrane or flashing will be under drain pan. See Figure 2.
4. The enclosure is to be at an angle at least 1/4" per foot slope to ensure proper drainage.
5. Fasten drain pan sides to framing using construction screws through the appropriate mounting hole, determined by sheathing/finishing material depth. See Figure 2.
6. Make sure open area at weep holes or drainage slots are clear of all debris.

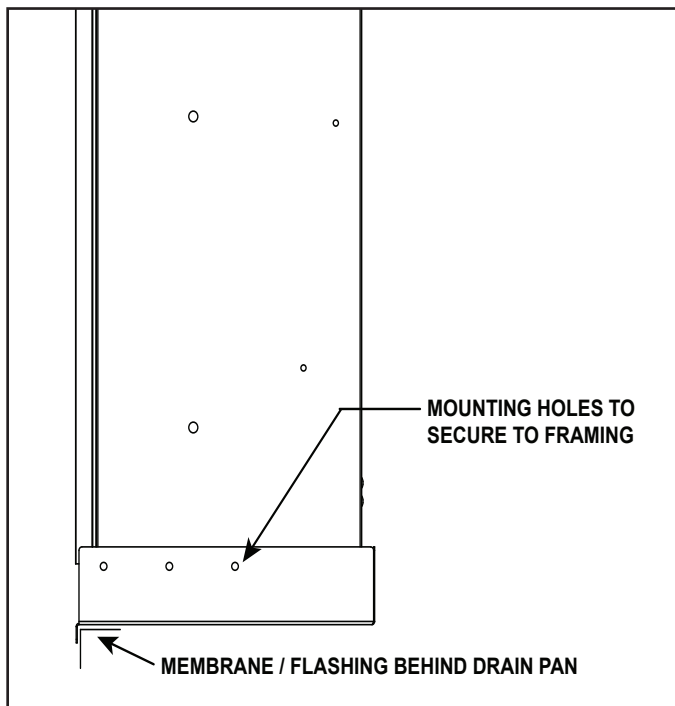


Figure 2 Drain Pan Installed Under Appliance

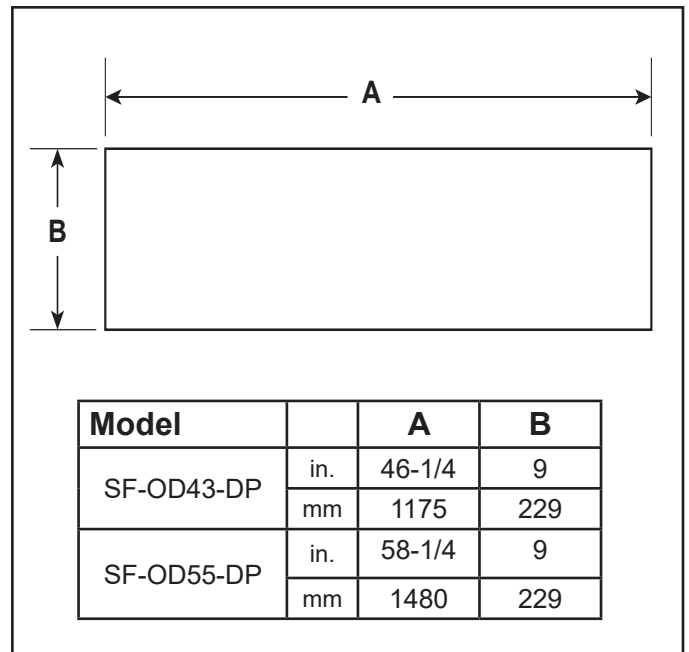


Figure 3 Drain Pan Dimension

SimpliFire, a brand of Hearth & Home Technologies
 7571 215th Street West, Lakeville, MN 55044
www.hearthnhome.com

Please contact your SimpliFire dealer
 For the location of your nearest SimpliFire dealer,
 please visit www.hearthnhome.com.