

COMPTON 1000 ELECTRIC FIREPLACE



European Home

Manufacturer and Importer of high-end Gas, Wood and Electric Fireplaces

evonicfires

Award-winning designs
imported from the UK



SPECIFICATIONS

FUEL TYPE	Powered by Electricity
POWER SUPPLY	15 Amp, 120 Volt Circuit
FLAME EFFECT	EvoFlame
VIEWABLE OPENING	39 7/8" W x 9 5/8" H
HEAT OUTPUT	3,400 - 6,800 BTU/hr
WEIGHT	81 lbs.
VENTING	N/A
FINISH	Black or White
INTERIOR	Mirrored Glass
REMOTE CONTROL	E-touch App Control
CERTIFICATION	UL E54813, UL E228455, UL E140692

PRODUCT OPTIONS & ACCESSORIES



- – An LED flame animation projected onto a mirrored background.
- – There are lights projected down from the top of the unit to further illuminate the logs.
- – The bed is made of chrome with vermiculite glued to it. This surface reflects the flickering lights to give the illusion that it is coming from under the logs.
- – Compton and E Series models can connect to your device through Bluetooth.
- – Each unit has a heater with an adjustable thermostat.

FIREPLACE MODEL

PRODUCT	ITEM CODE
COMPTON 1000 Black	EV-FP-COMPT-60-BLK
White	EV-FP-COMPT-60-WHTSTN

ACCESSORIES

PRODUCT	ITEM CODE
E TABLET	EV-ES-TAB

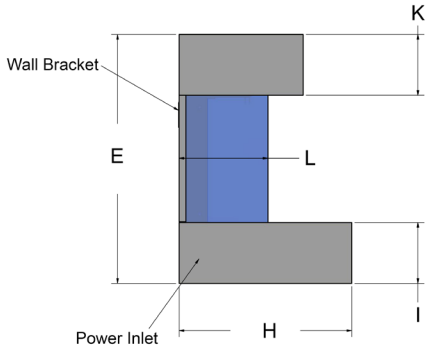
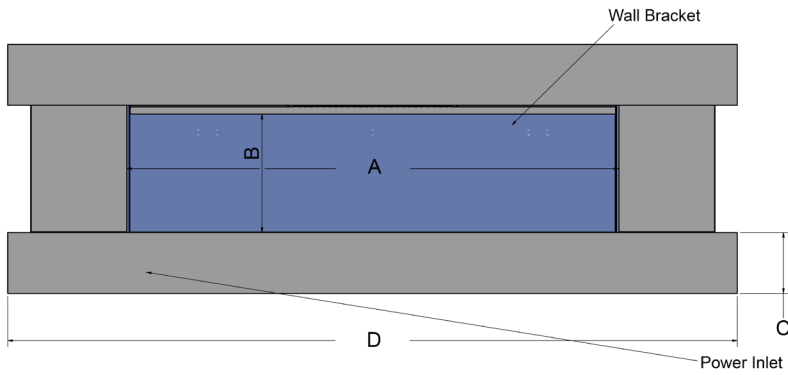
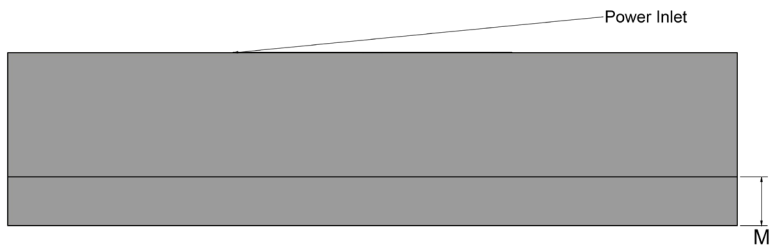
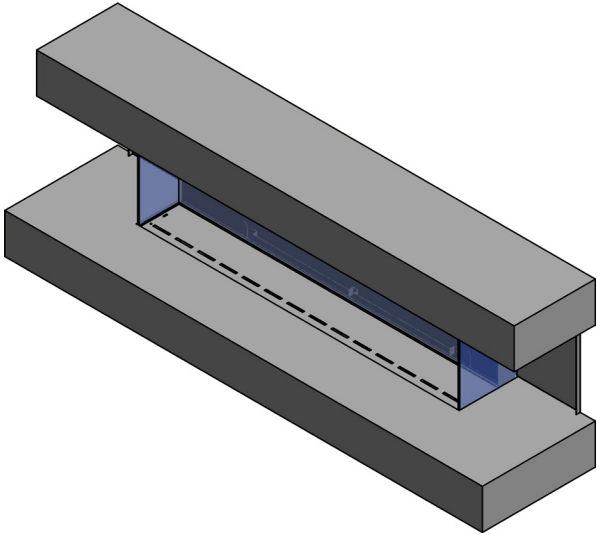
FIRE MEDIA



WOODLAND

PRODUCT	ITEM CODE
WOODLAND LOG SET	MDL-FM-WD-01

CUT SHEET



LETTER	A	B	C	D	E	H	I	K	L	M
INCHES	39 7/8	9 5/8	4 15/16	59 1/6	20 1/8	14	5	5	7 1/8	4
[MILLIMETERS]	[1012]	[243]	[125]	[1500]	[512]	[355]	[125]	[125]	[183]	[100]