

COMPTON 2 ELECTRIC FIREPLACE



European Home

Manufacturer and Importer of high-end Gas, Wood and Electric Fireplaces

evonicfires

Award-winning designs
imported from the UK



SPECIFICATIONS

FUEL TYPE	Powered by Electricity
POWER SUPPLY	15 Amp, 120 Volt Circuit
FLAME EFFECT	EvoFlame
VIEWABLE OPENING	25 $\frac{3}{16}$ " W x 10 $\frac{3}{4}$ " H
HEAT OUTPUT	3,400 - 6,800 BTU/hr
WEIGHT	56 lbs.
VENTING	N/A
FINISH	Black or White
INTERIOR	Mirrored Glass
REMOTE CONTROL	E-touch App Control
CERTIFICATION	UL E54813, UL E228455, UL E140692

PRODUCT OPTIONS & ACCESSORIES



- – An LED flame animation projected onto a mirrored background.
- – There are lights projected down from the top of the unit to further illuminate the logs.
- – The bed is made of chrome with vermiculite glued to it. This surface reflects the flickering lights to give the illusion that it is coming from under the logs.
- – Compton and E Series models can connect to your device through Bluetooth.
- – Each unit has a heater with an adjustable thermostat.

FIREPLACE MODEL

PRODUCT	ITEM CODE
COMPTON 2 Black	EV-FP-COMPT-44-BLK
White	EV-FP-COMPT-44-WHTSTN

ACCESSORIES

PRODUCT	ITEM CODE
E-TABLET	EV-ES-TAB

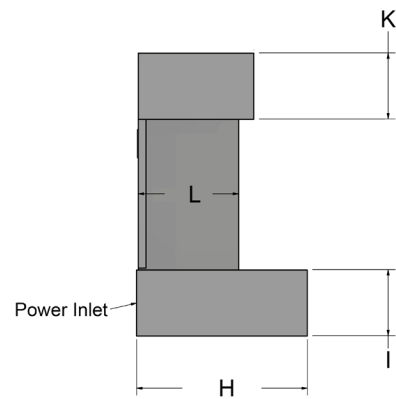
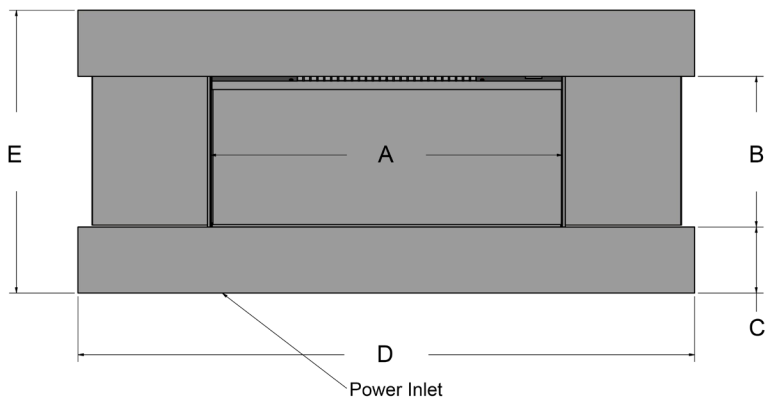
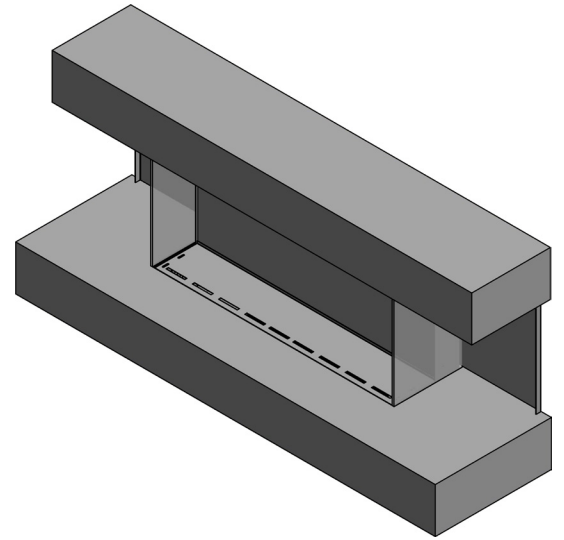
FIRE MEDIA



WOODLAND

PRODUCT	ITEM CODE
WOODLAND LOG SET	MDL-FM-WD-01

CUT SHEET



LETTER	A	B	C	D	E	H	I	K	L	M
INCHES	25 ³ / ₁₆	10 ³ / ₄	4 ³ / ₄	44 ² / ₁₆	20 ¹ / ₄	12 ¹ / ₄	4 ³ / ₄	4 ³ / ₄	7 ¹ / ₄	3 ⁷ / ₈
[MILLIMETERS]	[640]	[274]	[120]	[1120]	[514]	[310]	[120]	[120]	[183]	[98]