



PRODUCT FEATURES



- Efficient front facing heater
- High/low & timer heater setting



- No Harmful Fumes Emitted
- No venting required



- Hard-wire compatible
- Serviceable from front of unit



- Enjoy flames without the heat.
- 3 sided view



- Overheat protection & auto shut-off
- Certified to strict building codes



- Energy-Efficient LED Lighting
- Connects to smart assistants



Download the Dynasty App
Available on Android and iOS

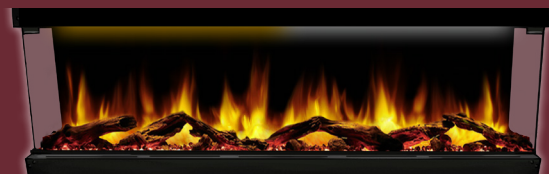


FLAME CONTROLS



Controllable
Red, White, and
Yellow
intensities, with
color mixing
capability

TOP ACCENT LIGHTING



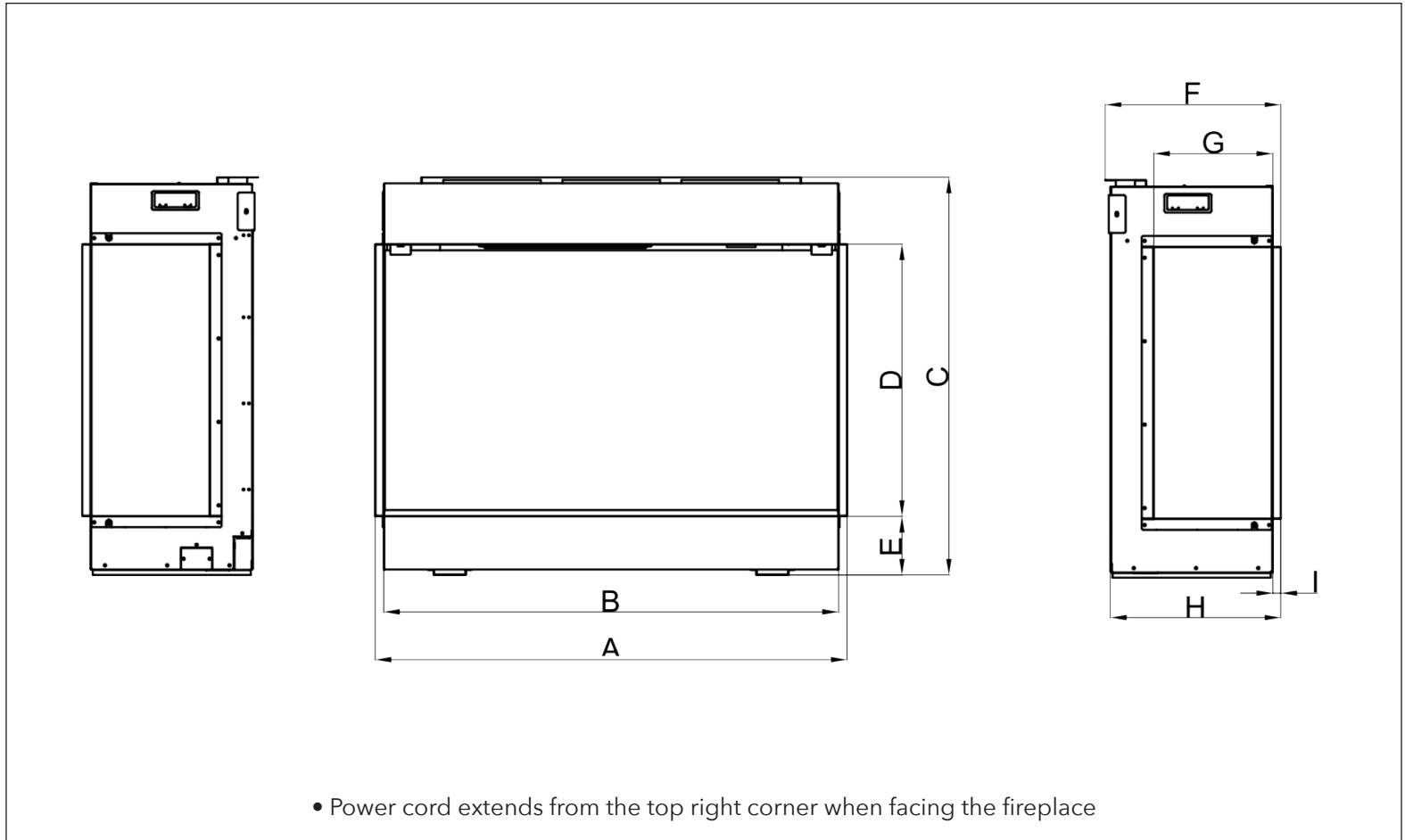
Warm and white top lighting, with
controllable intensities

Melody DY-BTS60 Electric Fireplace

Specifications Sheet



Model	Circuit	Max. Power	Lighting Only	Standby	Outlet	Viewing Area	BTU	Cord Length
DY-BTS60	15A, 120V / 60HZ	1500 W	46 W	1.5 W	<ul style="list-style-type: none"> • Standard (type B) • Hardwire ready 	1600 mm W x 400 mm H	5000	1829 mm
						63 in. W x 15 ¾ in. H		72 in.



Model	A	B	C	D	E	F	G	H	I
DY-BTS60	1632 mm	1600 mm	633 mm	400 mm	110 mm	325 mm	220 mm	315 mm	15 mm
	64 ¼ in.	63 in.	25 in.	15 ¾ in.	4 ⅜ in.	12 ¾ in.	8 ⅝ in.	12 ⅜ in.	½ in.

Certification

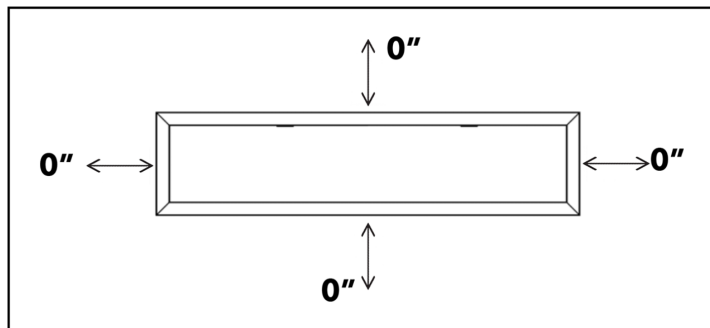


Melody DY-BTS60 Electric Fireplace

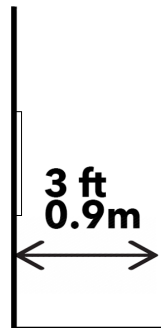
Specifications Sheet



Clearances



Front View

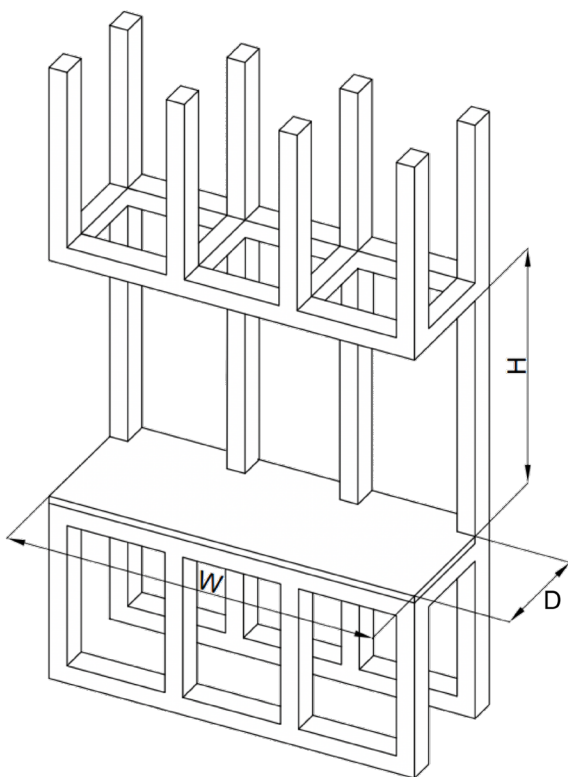


Side View

Minimum Clearances to Combustibles	
Top	0"
Sides	0"
Back	0"
Bottom	0"
Front	36" / 0.9m

- No clearance requirements on top, bottom, left, and right sides of the fireplace in 1-sided, 2-sided, or 3-sided configuration
- Keep furniture, drapery or items at least 3 ft / 0.9m away from the front of the fireplace

Framing



Framing Dimensions

W	H	Depth
1610 mm	643 mm	320 mm
63 3/8 in.	25 3/8 in.	12 1/2 in.

Product installation must adhere strictly to instructions accompanying product to avoid risk of fire and potential injury



Dynasty Fireplaces
 3231 No. 6 Road, Unit 127
 Richmond, BC V6V 1P6 Canada
 +1 877-521-1009 | 604-821-1009 | support@dynastyfireplaces.com
 Visit Us: dynastyfireplaces.com

