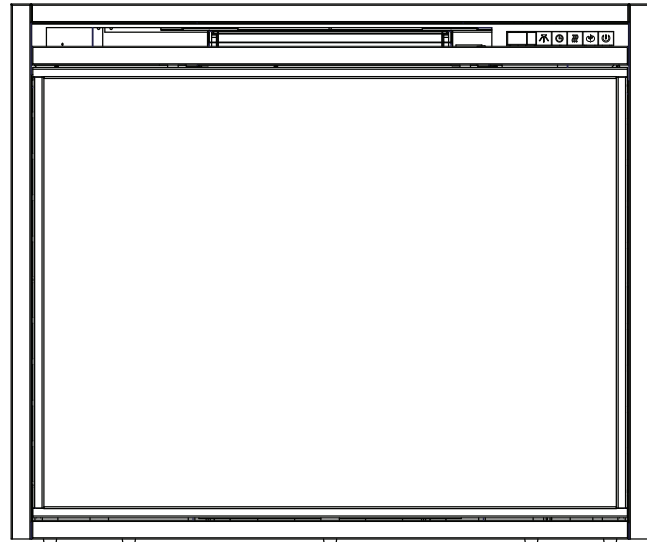




INSTALLATION AND OPERATION MANUAL

Ascent™ Electric Series (NEFB33H Illustrated)



SAFETY INFORMATION

⚠ WARNING

FIRE OR EXPLOSION HAZARD

If the information in these instructions are not followed exactly, a fire or explosion may result causing property damage, personal injury, or loss of life.

- Do not store or use gasoline or other flammable vapors and liquids in the vicinity of this or any other appliance.

INSTALLER:

Leave this manual with the appliance

CONSUMER:

Retain this manual for future reference



This appliance has a remote that requires button batteries that are hazardous to young children.

FOR INDOOR USE ONLY

**CERTIFIED TO THE CANADIAN AND AMERICAN NATIONAL STANDARDS:
CSA 22.2 NO. 46 / UL 2021**



Wolf Steel Ltd., 24 Napoleon Rd., Barrie, ON, L4M 0G8 Canada / 103 Miller Drive, Crittenden, Kentucky, USA, 41030
Phone 1 (866) 820-8686 • www.napoleon.com • hearth@napoleon.com

! WARNING

- **If equipped with a heater, this appliance can be hot when operated and can cause severe burns if contacted.**
- Do not operate appliance before reading and understanding operating instructions. Failure to operate appliance according to operating instructions could cause fire or injury.
- Do not install damaged, incomplete or substitute components.
- Do not burn wood or other materials in this appliance.
- All electric appliances have hot and arcing or sparking parts inside. Do not use it in areas where a gas line, paint or flammable liquids are present.
- Any safety screen or guard removed for servicing must be replaced prior to operating the appliance.
- It is imperative that the control compartments, circulating blower and its passageway in the appliance are kept clean. The appliance should be inspected before use and at least annually by a qualified service person. More frequent cleaning may be required due to excessive lint from carpeting, bedding material, etc. The appliance area must be kept clear and free from combustible materials, gasoline and other flammable vapors and liquids.
- Under no circumstances should this appliance be modified.
- Do not use this appliance if any part has been under water. Immediately call a qualified service technician to inspect the appliance and to replace any part of the control system which has been under water.
- If equipped with a glass door, do not operate the appliance with the glass door removed, cracked or broken. Replacement of the glass should be done by a licensed or qualified service person. Do not strike or slam shut the appliance glass door.
- Keep the packaging material out of reach of children and dispose of the material in a safe manner. As with all plastic bags, these are not toys and should be kept away from children and infants.
- Servicing should be done only while the appliance is disconnected from the power supply circuit.
- Always unplug appliance when not in use.
- Do not operate this appliance with a damaged cord or plug after the appliance malfunctions, has been dropped or damaged in any manner. Return appliance to authorized service facility for examination, electrical or mechanical adjustment, or repair.
- Do not use outdoors.
- When installing this appliance in a room where water is present, the installation must comply with codes recognizing the increased hazard of electrical shock and electrocution.

note:

This appliance is NOT suitable for installation in a bathroom.


- Do not run cord under carpeting. Do not cover cord with throw rugs, runners, or the like. Arrange cord away from traffic area and where it will not be tripped over.
- Connect to properly grounded outlets only.
- Do not insert or allow foreign objects to enter any ventilation or exhaust opening as this may cause an electric shock or fire, or damage the appliance.
- It is normal for your electric appliance to produce noise, especially when installed in a quiet space such as a bedroom.

 **WARNING**

- To prevent a possible fire, do not block air intakes or exhaust in any manner. Do not use on soft surfaces, like a carpet, where openings may become blocked.
- Always plug appliances directly into a wall outlet/receptacle. Never use an extension cord or relocatable power tap (outlet/power strip).
- These appliances are tested and listed for use only with the optional accessories listed in these instructions. Use of optional accessories not specifically tested for this appliance could void the warranty and/or result in a safety hazard.

For appliances equipped with a heater:

- Risk of burns. Power to the appliance should be turned off and the appliance allowed to cool before servicing. To disconnect power to the appliance, turn controls to off, then remove plug from outlet.
- Young children should be carefully supervised when they are in the same room as the appliance. Toddlers, young children and others may be susceptible to accidental contact burns. A physical barrier is recommended if there are at risk individuals in the house. To restrict access to an appliance or stove, install an adjustable safety gate to keep toddlers, young children and other at risk individuals out of the room and away from hot surfaces.
- Clothing or other flammable material should not be placed on or near the appliance.
- Due to high temperatures, the appliance should be located out of traffic and away from furniture and draperies.
- Ensure you have incorporated adequate safety measure to protect infants/toddlers from touching hot surfaces.
- Even after the appliance is off, the glass and/or screen will remain hot for an extended period of time.
- Check with your local hearth specialty dealer for safety screens and hearth guards to protect children from hot surfaces. These screens and guards must be fastened to the floor.
- Ensure clearances to combustibles are maintained when building a mantel or shelves above the appliance. Elevated temperatures on the wall or in the air above the appliance can cause melting, discolouration or damage to decorations, a TV or other electronic components.

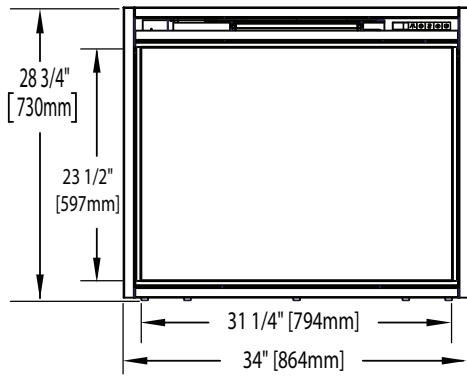
 **WARNING:** This product can expose you to chemicals including lead and lead compounds, which are known to the State of California to cause cancer, and chemicals including BBP and DEHP, which are known to the State of California to cause birth defects or other reproductive harm. For more information, go to www.P65Warnings.ca.gov.

1.0	general information	5
1.1	dimensions	5
1.2	listing approvals	6
1.3	general instructions	6
1.4	unpacking and testing appliance	6
1.5	rating plate information	7
1.6	label location	8
2.0	locating appliance	9
2.1	grounding appliance	9
3.0	installation	10
3.1	minimum clearance to combustibles	10
3.2	minimum mantel clearances	10
3.3	framing	11
3.3.1	appliance installation	12
3.3.2	voltage selection	12
3.3.3	voltage selector switch location	13
3.3.4	120 volt cord plug installation	13
3.3.5	120V hard wiring installation	14
3.3.6	240V hard wiring installation	16
4.0	operating instructions	18
4.1	operating control panel	18
4.2	operating by remote control	19
5.0	finishing	20
5.1	brick panel installation and removal	20
5.2	glass door removal and installation	21
6.0	maintenance	22
6.1	log, grate and ember bed assembly / removal	22
6.2	flame panel removal	23
6.3	flame board removal	23
6.4	motor replacement	24
6.5	control board replacement	24
6.6	remote battery installation	24
7.0	wiring diagram	25
8.0	replacement parts	26
8.1	NEFB33H overview	27
8.2	NEFB33H log assembly (W010-3317-SER)	28
8.3	NEFB40H overview	29
8.4	NEFB40H log assembly (W010-3318-SER)	30
9.0	troubleshooting	31
10.0	warranty	32
11.0	service history	33

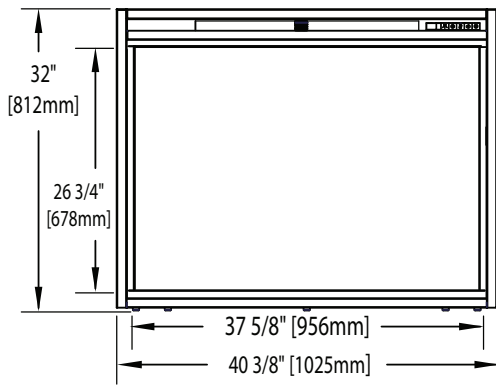
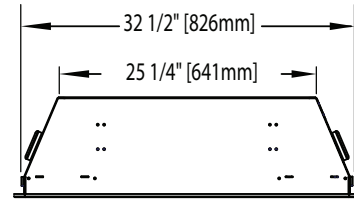
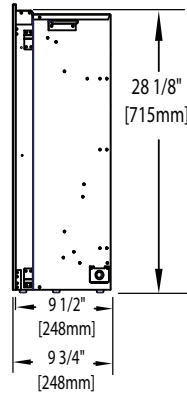
note:

The information throughout this manual is believed to be correct at the time of printing. Wolf Steel Ltd. reserves the right to change or modify any information within this manual at any time without notice. Changes, other than editorial, are denoted by a vertical line in the margin.

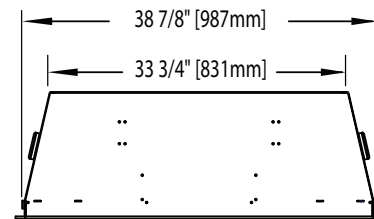
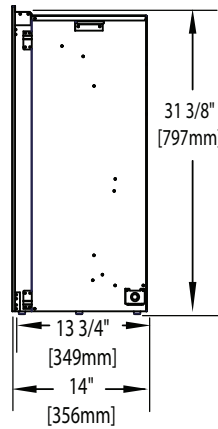
1.1 dimensions



NEFB33H Illustrated



NEFB40H Illustrated



general information

1.2 listing approvals

This appliance has been tested in accordance with the CSA Standards for fixed and location-dedicated electric room appliances in the United States and Canada. If you need assistance during installation, please contact your local dealer.

note:

This appliance must be electrically wired and grounded in accordance with local codes or, in the absence of local codes, with National Electric Code ANSI/NFPA 70-latest edition in the United States or the Canadian Electric Code, CSA C22.1 in Canada.

Model No.	NEFB33H	NEFB40H
Description	33" Electric Appliance	40" Electric Appliance
Voltage	120/240V	
Watts	1325/2650W	
Amps	Dedicated 15 AMP Grounded Circuit	
Appliance Width	34" (86.4cm)	40 3/8" (102.5cm)
Appliance Height	28 3/4" (73cm)	32" (81.2cm)
Appliance Depth	9 3/4" (24.8cm)	14" (35.6cm)
Net Weight	59lbs (27kg)	82 lbs (37kg)
Gross Weight	74 lbs (33kg)	101 lbs (46kg)

1.3 general instructions

- Prior to plugging your appliance into an electrical outlet, verify that the house circuit breakers for the outlet are on.
- The appliance may emit a slight, harmless odour when first used. This odour is normal and it is caused by the initial heating of internal appliance elements and will not occur again.
- If your appliance does not emit heat when called for, consult the "operation" section of this manual for further information.
- Use with a CSA or UL certified surge protector.
- Do not route the power cord directly underneath the appliance.

This electric appliance meets the construction and safety standards of H.U.D. for application in manufactured homes when installed according to these instructions.

As with most electronic devices, your new electric appliance has been designed to operate at temperatures between 5°C (41°F) and 35° C (95°F). During the colder winter months, allow the appliance to reach room temperature before turning it on.

1.4 unpacking and testing appliance

Carefully remove the appliance from the box. Prior to installing the appliance, remove all packaging material and test to make sure the appliance operates properly by plugging the power supply cord into a conveniently located 120V, 15 Amp minimum grounded outlet.

note:

The appliance is factory wired for 120 volt power supply. If 240 volt operation is required (see "240V hard wiring installation" section).

1.5 rating plate information

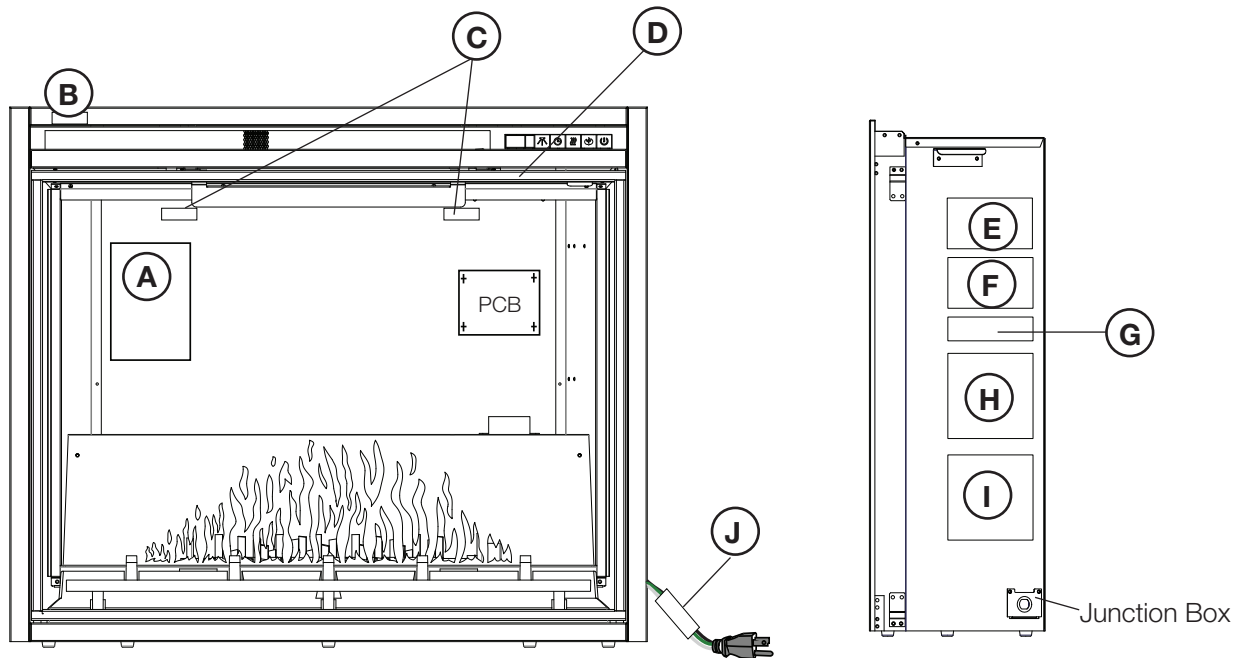
CERTIFIED UNDER CANADIAN AND AMERICAN NATIONAL STANDARD: CSA 22.2 NO. 46 AND UL 2021 / HOMOLOGUÉ SELON LES NORMES NATIONALES CANADIENNES ET AMÉRICAINES: CSA 22.2 NO. 46 UL 2021	
ELECTRIC FIREPLACE. SUITABLE FOR BEDROOM AND BED-SITTING ROOM INSTALLATION. SUITABLE FOR MOBILE HOME INSTALLATION.	C  US Foyer à électrique. Homologué pour installation dans une chambre à coucher, une salle de bain et un studio. Appropriate pour installation dans une maison mobile.
MASTER CONTRACT: 161746	CONTRAT-CADRE: 161746
<input type="checkbox"/> NEFB33H	MODEL
VOLTAGE: 120/240 V	TENSION: 120/240 V
FREQUENCY: 60Hz	FRÉQUENCE: 60Hz
POWER: 1325W/2650W	PUISSANCE: 1325W/2650W
DATE CODE:	CODE DE DATE:
DESIGNED IN NORTH AMERICA BY WOLF STEEL LTD. MADE IN CHINA	DÉSIGNÉ AMÉRIQUE DU NORD PAR WOLF STEEL LTD. FABRIQUÉ EN CHINE
WOLF STEEL LTD. 24 NAPOLEON ROAD, BARRIE, ON, L4M 0G8 CANADA	SERIAL NUMBER/NO. DE SÉRIE: NEFB33H
	W385-2088 / F

For rating plate location, see “label location” section.

This illustration is for reference only. Refer to the rating plate on the appliance for accurate information.

note:
The rating plate must remain with the appliance at all times. It must not be removed.

1.6 label location



Ref.	Part Number	Description
A	W385-2090	Wire Diagram Label
B	W385-1946	"Do Not Cover" Label
C*	W385-1954	Door Latch Label
D**	W385-2191	Serial Number (NEFB33H)
D**	W385-2192	Serial Number (NEFB40H)
E	W385-2088	Rating Plate (NEFB33H)
E	W385-2089	Rating Plate (NEFB40H)
F	W385-1945	Caution Label
G	W385-1944	Warning Label
H	W385-2083	120V Hard Wiring Label
I	W385-2084	240V Hard Wiring Label
J	W385-1943	Warning Label

* Located on door glass.

** Located on top of door frame.

! WARNING

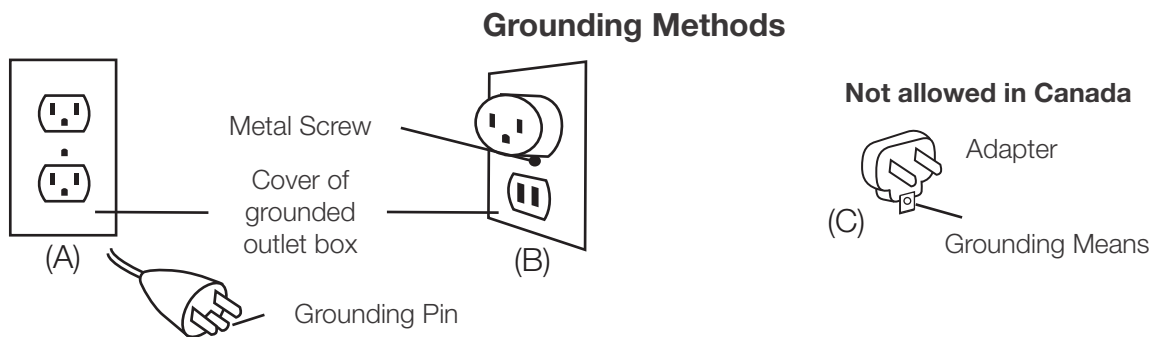
- Due to high temperatures, this electric appliance should be located out of traffic. Keep combustible materials such as furniture, pillows, bedding, papers, clothes and curtains at least 36" (91.4cm) from the front of the appliance.
- Never locate this electric appliance where it may fall into a bathtub or other water container.
- Wear safety gloves and safety glasses for protection during installation and maintenance.
- To prevent contact with sagging or loose insulation, the electric appliance must not be installed against vapor barrier or exposed insulation. Localized overheating could occur and a fire could result.
- Do not expose the electric appliance to the elements (such as rain, etc.).

2.1 grounding appliance

This appliance is for use on 120 volts. The cord has a plug as shown in (A). An adapter as shown in (C) is available for connecting three-blade grounding type plugs to two-slot receptacles, as shown in (B).

The green grounding plug extending from the adapter must be connected to a permanent ground such as a properly grounded outlet box. The adapter should not be used if a three-slot grounded receptacle is available.

To disconnect appliance, turn controls to off, then remove plug from outlet.

**note:**

The appliance must be connected to a dedicated 15 amp circuit. The use of an extension cord is NOT permitted.

3.0 installation

! WARNING

- Risk of fire! The power cord must not be pinched against a sharp edge. Secure cord to avoid tripping or snagging to reduce the risk of fire, electric shock, or personal injury. Do not run cord under carpeting. Do not cover cord with throw rugs, runners, or similar items. Arrange cord away from traffic areas and where it will not be tripped over.
- Risk of fire! To prevent a possible fire, do not block air intake or exhaust in any manner. Do not use on soft surfaces where openings may become blocked.
- Risk of fire! Do not blow or place insulation against the appliance.
- This electric appliance is tested and listed for use only with the approved optional accessories. Use of optional accessories not specifically tested for this electric appliance could void the warranty and/or result in a safety hazard.
- If the information in these instructions is not followed exactly, a fire or explosion may result causing property damage, personal injury, or death. Do not store or use gasoline or other flammable vapors in the vicinity of this or any other appliance.
- This appliance is heavy. It is highly recommended that two people install this appliance.
- If your appliance is equipped with a heater, ensure the heater vents cannot, in any way, be covered as it may create a fire hazard.
- Do not run the power cord horizontally, directly below the appliance.

Select a suitable location that is not susceptible to moisture and is away from drapes, furniture and high traffic areas.

note:

Follow all national and local electrical codes.

3.1 minimum clearance to combustibles

Measurements are taken from the glass front.

Bottom	0"	Top	1" (25mm) to 2" (51mm) mantel
Sides	0"	Top	5" (127mm) to ceiling
Back	0"		

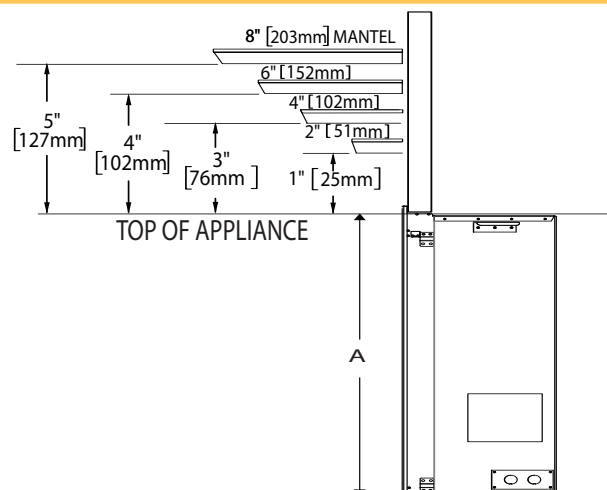
note:

The power switch is located on the upper right hand side of the appliance. Always ensure that access to this switch remains accessible.

3.2 minimum mantel clearances

! WARNING

- When using paint or lacquer to finish the mantel, the paint or lacquer must be heat resistant to prevent discolouration.



	NEFB33H	NEFB40H
A	28 1/8" (71.5cm)	31 3/8" (79.7cm)

3.3 framing

Prepare rough in framing following the recommended dimensions in Figure 1. For the corner rough in framing, follow the recommended dimension in Figure 3.

Select a location that is not prone to moisture and is located at least 36" (91.4cm) away from combustible materials such as curtain drapes, furniture, bedding, paper, etc.

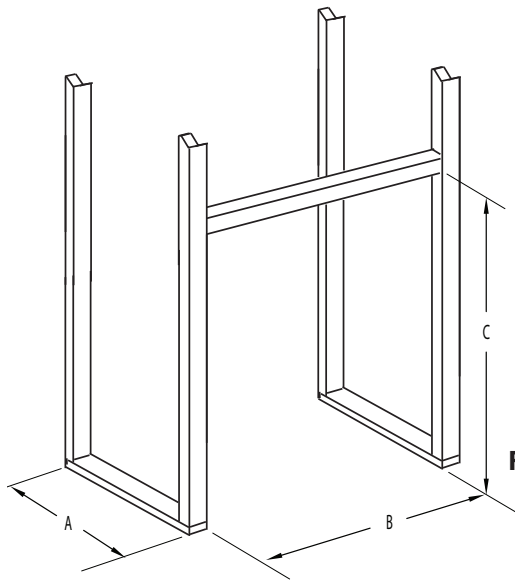


Fig. 1

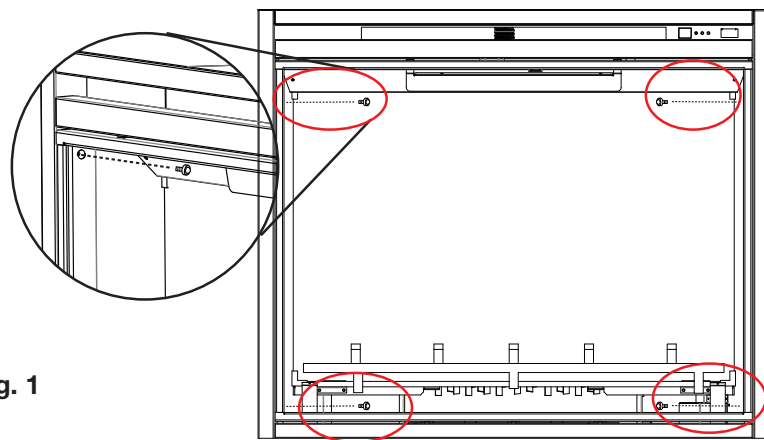


Fig. 2

	NEFB33H	NEFB40H
A	10" (254mm)	14 1/2" (36.8cm)
B	33 1/4" (84.4cm)	39 1/2" (100.3cm)
C	28 3/8" (72cm)	31 5/8" (80.1cm)
J	44 1/2" (113cm)	60 3/4" (154.3cm)
K	31 1/2" (80cm)	43" (109.2cm)
L	31 1/2" (80cm)	43" (109.2cm)

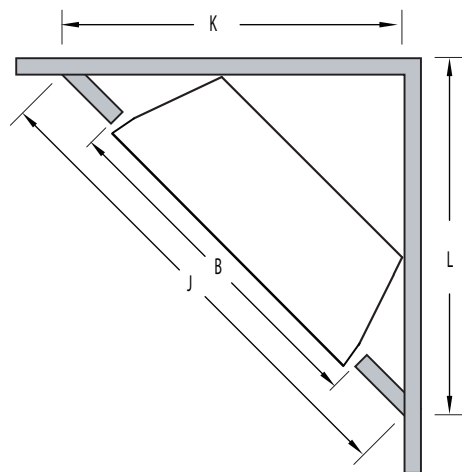


Fig. 3

- A.** Once the rough opening has been prepared and the power has been routed to the right side of the recess, the appliance may be installed.
- B.** The electrical connection must be made prior to placing the appliance into position (see "hard wiring installation" section). Have 2 people lift the appliance up and insert into the opening of the wall.
- C.** To secure the appliance to the wall, remove the glass door (see "glass door removal and installation" section) and log / grate / ember bed (see "log, grate and ember bed assembly / removal" section).
- D.** Level the appliance and use the 4 screws (supplied) to secure the appliance to the wall studs (**Fig. 2**).
- E.** Install the brick panels (see "brick panel installation and removal" section), log /grate and ember bed assembly, and the glass door to the appliance.

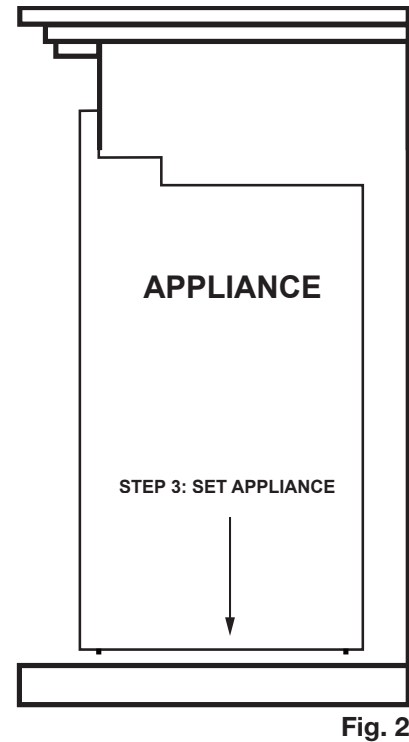
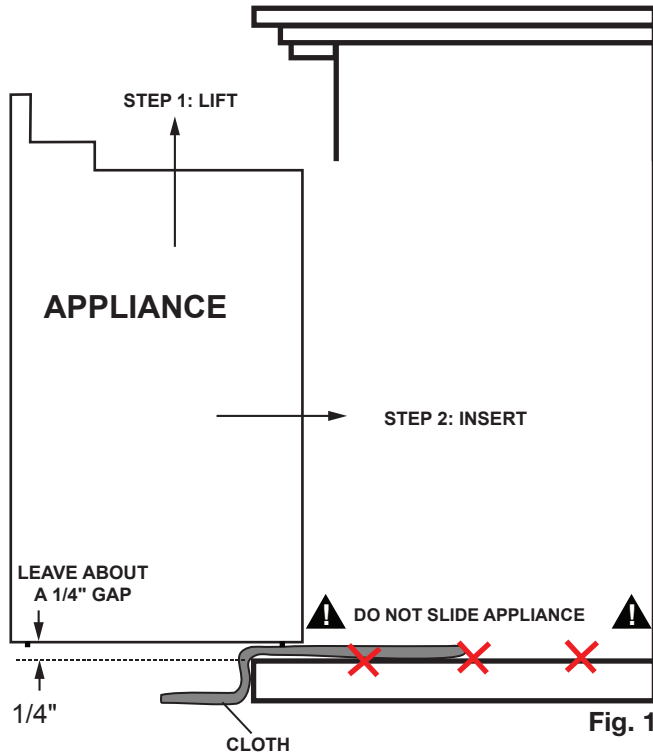
note:

In order to avoid the possibility of exposed insulation or vapour barrier coming in contact with the appliance body, it is recommended that the walls of the appliance enclosure be "finished" (ie. drywall/sheetrock), as you would finish any other outside wall of a home. This will ensure that clearance to combustibles is maintained within the cavity.

installation

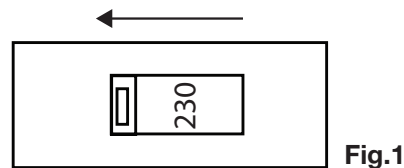
3.3.1 appliance installation

- A. Place a cloth (not supplied) onto the mantel (**Fig. 1**) to prevent the appliance from scratching the mantel surface.
- B. With 2 people, lift the appliance up and insert into the opening, leave space between the appliance and floor base in order to not scratch the floor surface. Do not push or slide the bottom of the appliance on the floor base (**Fig. 1**).
- C. Set the appliance down and into place and remove the cloth (**Fig. 2**).



3.3.2 voltage selection

This appliance is able to use 120 volt or 240 volt power supply by setting the voltage selector switch (**Fig. 1**) and hard wiring configurations.



note:

The factory set up configuration is 120 volt operation with cord plug.

important:

Only a qualified person can change the voltage setting.

3.3.3 voltage selector switch location

! WARNING

- The voltage selector switch must match the incoming power supply voltage. The heater will overheat if the switch does not match the incoming power supply voltage.
- When changing the voltage selector switch from 240 volts to 120 volts (or vice versa), the power supply must be turned off first.

The voltage selector switch is located inside the appliance (**Fig. 1**).

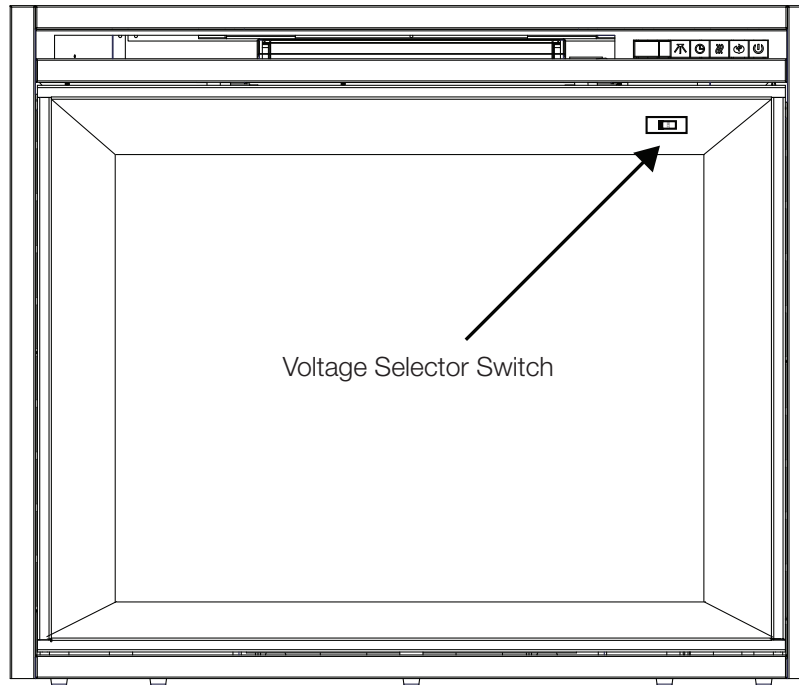


Fig.1

- Remove the glass door (see "glass door removal and installation" section).
- Remove metal cover from the voltage selector switch.
- Change the voltage selector switch position.

note:

Factory default setting is 120 volt (115 printed on the switch) if you use 120 volt power supply you do not need to make the changes.

When wiring the appliance for 240 volt, the voltage selector switch should be in 230 volt position on the switch.

3.3.4 120 volt cord plug installation

The factory default setting is 120 volt cord plug installation configuration. Simply plug the appliance to a grounded 120V 15 Amp outlet box.

note:

Must be connected to a dedicated 15 Amp circuit. The use of an extension cord is NOT permitted.

3.3.5 120V hard wiring installation

! WARNING

- Turn off the appliance completely and let cool before servicing. Only a qualified service person should service and repair this electric appliance.

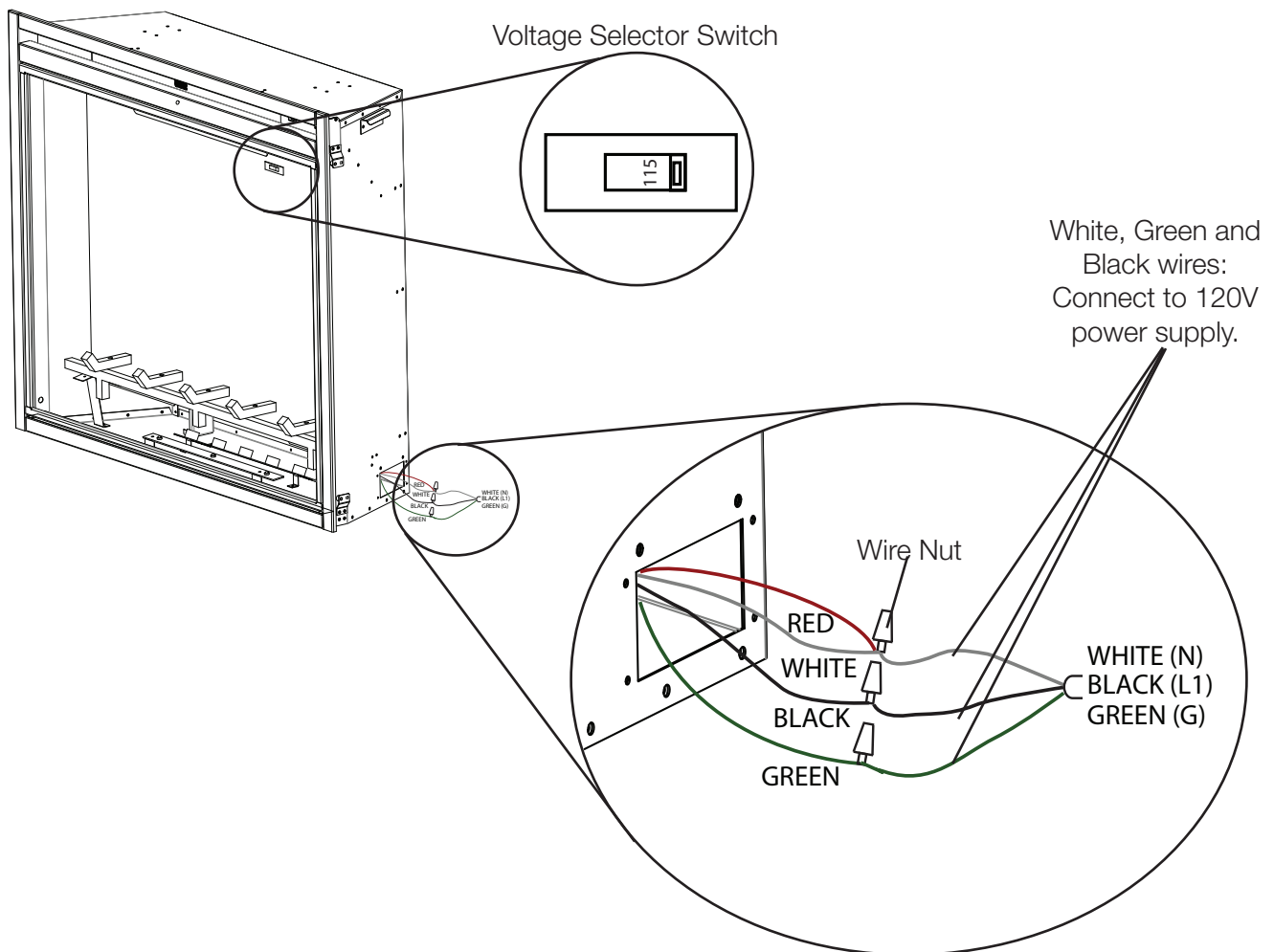
120V HARD WIRING CONNECTION

If it is necessary to hard wire this appliance, a qualified electrician must remove the cord connection, and wire the appliance directly to the household wiring. The wire and power supply breaker must be rated for 120V minimum 15 Amps.

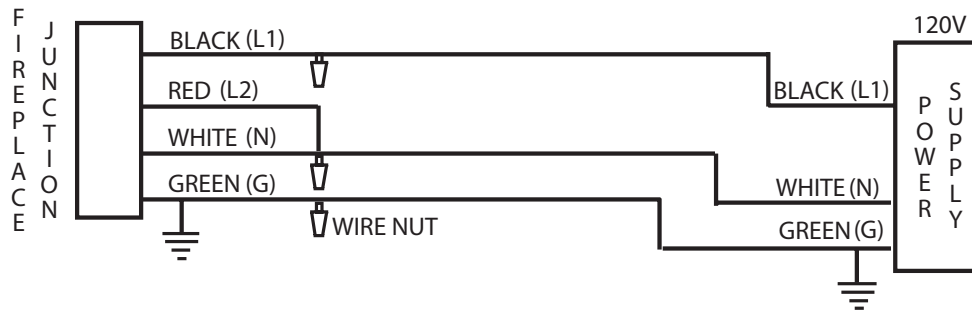
This appliance must be electrically connected and grounded in accordance with local codes, if hard wired. In the absence of local codes, use the current CSA C22.1 CANADIAN ELECTRICAL CODE in Canada or the current ANSI/NFPA 70 NATIONAL ELECTRICAL CODE in the United States.

note:

There are 4 wires from the appliance junction: white (neutral), black (power L1), Red (Power L2) and green (ground) that connect to 120V power supply (breaker panel).



- A.** Remove the securing screw from the electrical cover plate, located on the right hand side of the appliance.
- B.** Add an electrical box connector and feed the supply wires through the 7/8" (22mm) knock out.
- C.** Separate the black, white, red and green wires that have the wire nuts on them.
- D.** Remove the wire nuts and secure the black wire (L1) to the black (L1) lead of the power supply. Connect the white wire and red wire from the appliance to the white (N) wire from the power supply. Connect the green wire to the ground wire.
- E.** Resecure the cover plate.
- F.** Locate the voltage selector switch inside the appliance and remove the 2 screws on the metal cover.
- G.** Ensure that the switch is switched to 120 volt position (115 is printed on the switch). Reinstall the metal cover.



note:

Leave enough wire so that the appliance can be removed from the enclosure without disconnecting the power supply.

3.3.6 240V hard wiring installation

! WARNING

- Turn off the appliance completely and let cool before servicing. Only a qualified service person should service and repair this electric appliance.

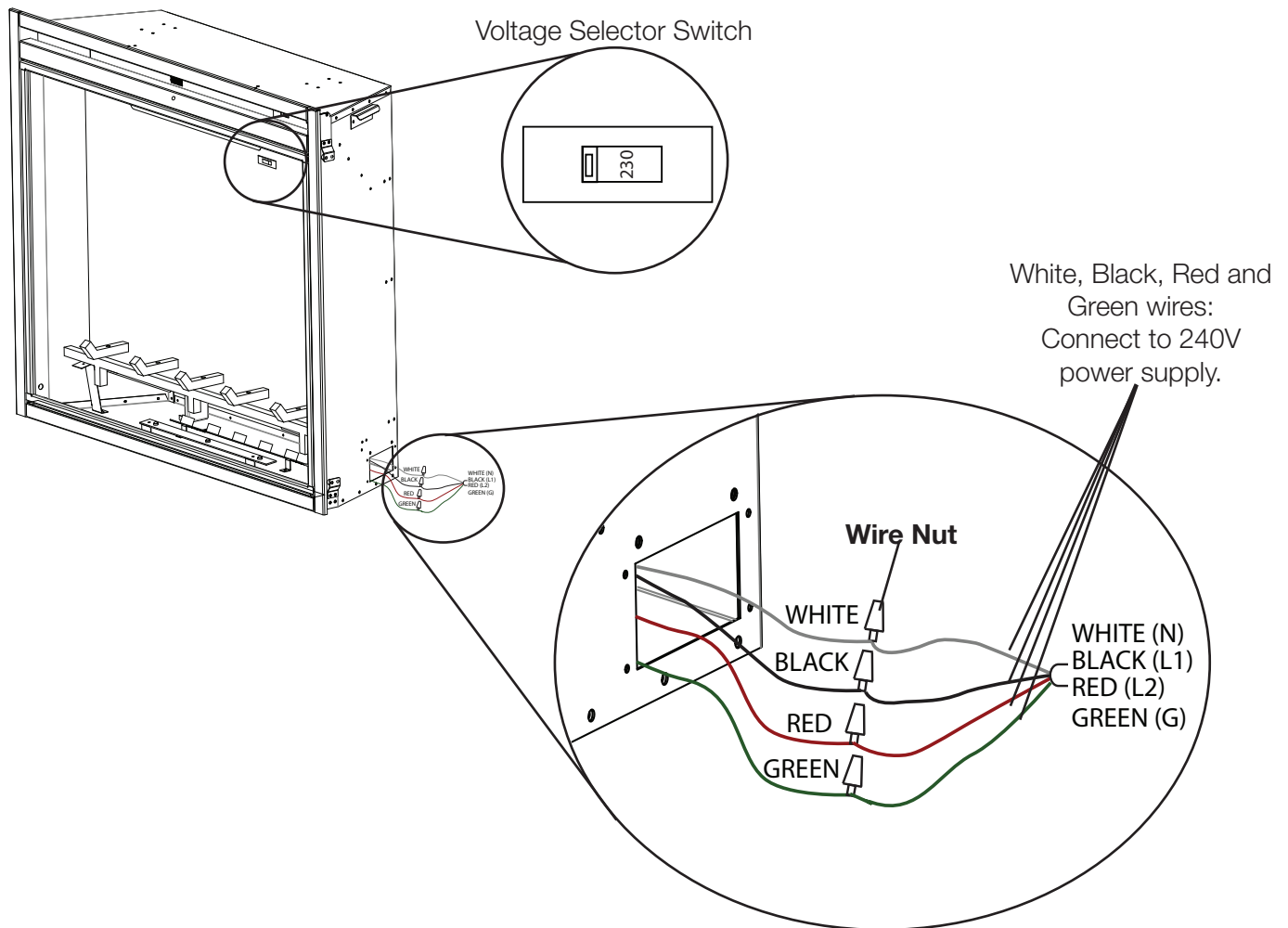
240V HARD WIRING CONNECTION

If it is necessary to hard wire this appliance, a qualified electrician must remove the cord connection, and wire the appliance directly to the household wiring. The wire and double-pole power supply breaker must be rated for 240V minimum 15 Amps, maximum 20 Amps.

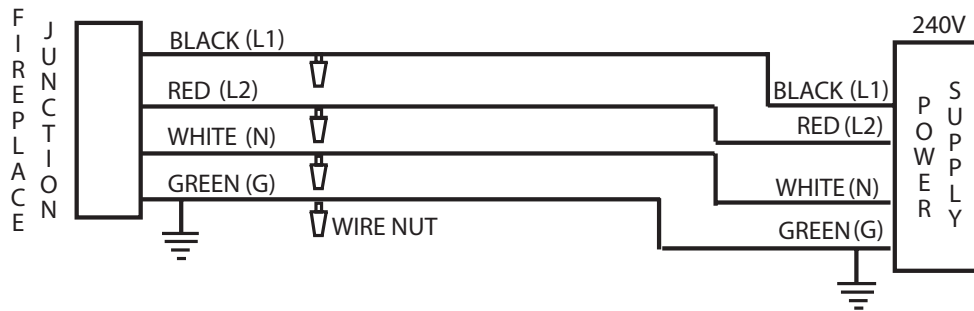
This appliance must be electrically connected and grounded in accordance with local codes, if hard wired. In the absence of local codes, use the current CSA C22.1 CANADIAN ELECTRICAL CODE in Canada or the current ANSI/NFPA 70 NATIONAL ELECTRICAL CODE in the United States.

note:

There are 4 wires from the appliance junction: white (neutral), black (power L1), Red (Power L2) and green (ground) that connect to 240V double-pole power supply (breaker panel).



- A.** Remove the securing screw from the electrical cover plate, located on the right hand side of the appliance.
- B.** Add an electrical box connector and feed the supply wires through the 7/8" (22mm) knock out.
- C.** Separate the black, white, red and green wires that have the wire nuts on them.
- D.** Remove the wire nuts and secure the black wire (L1) to the black (L1) lead of the power supply. Connect the red wire (L2) to the red wire (L2) of the power supply. Connect the white wire from the appliance to the white (N) wire from the power supply. Connect the green wire to the ground wire.
- E.** Resecure the cover plate.
- F.** Locate the voltage selector switch inside the appliance. Remove the 2 screws on the metal cover.
- G.** Ensure that the switch is switched to 240 volt position (230 is printed on the switch). Reinstall the metal cover.



note:

To aid with moving the appliance, leave enough wire so that the appliance can be removed from the enclosure without disconnecting the power supply. If servicing, shut off power supply.

4.0 operating instructions

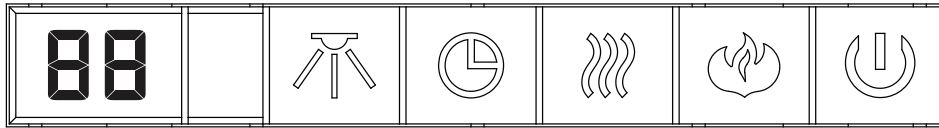
Once the appliance has been plugged into a grounded electrical outlet or hard wired to a dedicated 120V or 240V power supply, it is ready to operate.

note:

Ensure the house circuit breakers for the power supply are turned on.

4.1 operating control panel

The Control Panel is located on the top front of the appliance.



POWER		Turns the appliance ON/OFF.
FLAME & EMBER LIGHT CONTROL		Controls Flame brightness and the Ember Light. 5 Settings: Flame & Ember off (FO), Ember and log on but Flame off (LL), small Flame & Ember (F1), medium Flame & Ember (F2), brightest Flame and Ember (F3).
HEATER CONTROL		Turns the Heater and Blower ON/OFF. 3 Settings: Heater & Blower off (HO), Blower on (BL), heater and blower on (H1).
TIMER		Timer can be programed to run appliance for specific lengths of time (30mins. minimum to 6hrs maximum).
DECORATIVE LIGHT		Controls Decorative Light settings. 4 Settings: Decorative Light off (D0), white colour (D1), auto-cycle from White / Orange / Blue / Orange-Blue / White-Orange / White-Blue (D2), lock to desired colour (D3). It will take 8.5 seconds to switch between colours (on D2 setting).
F° / C° SWITCH	Hold 5 seconds	To change temperature format, Fahrenheit or Celsius. Press and hold the Flame button for 5 seconds.
HEATER LOCK	Hold 5 seconds	Heater button can be locked or unlocked by holding the Heater button for 5 seconds.
TEMPERATURE CONTROL	Hold 5 seconds	Press and hold the Timer button for 5 seconds. This will change the button to Temperature Control, or vice versa. There are 7 temperature settings (61°F, 64°F, 70°F, 75°F, 81°F, 85°F and OFF)







4.2 operating by remote control

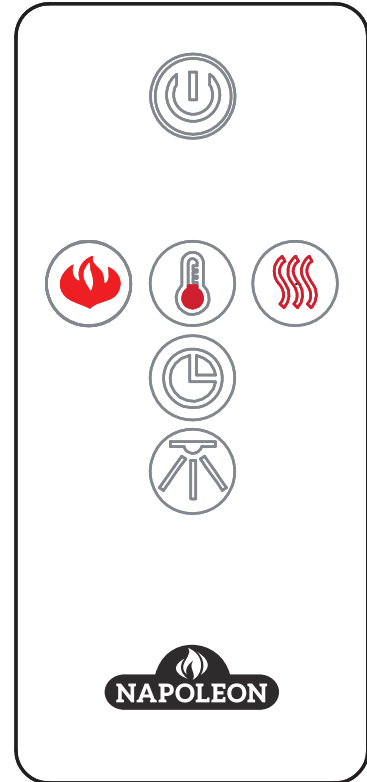
! WARNING

- To avoid danger of suffocation, keep the packaging bag away from babies and children.
- Do not use in cribs, beds, carriages, or play pens.
- This bag is not a toy.
- Knot before throwing away.

note:

When operating the remote control, it must be directed towards the front center of the appliance.

- The power button can be used to turn the appliance on/off. Pressing this button  activates the power to the appliance. Pressing the power button again will turn off the appliance. The ember and log will fade 4 seconds after turning off the appliance.
- To adjust the flame brightness and ember log light, press the flame button . There is 1 ember log light and 3 flame brightness levels to cycle through and then an off setting (LL, F1, F2, F3 and then F0).F3 is the brightest flame level, LL is the ember log light only.
- To control the thermostat function, press the thermostat button . There are 7 temperature settings (61°F, 64°F, 70°F, 75°F, 81°F 85°F and off). The default setting will display Fahrenheit. Press the thermostat button to cycle through the settings. Once you have selected the desired temperature, the heater will automatically operate until that temperature is reached. When the room temperature is 2 degrees lower than the temperature setting, the heater will turn on.
- To activate the heater and blower, press the heater button , the blower will turn on. Press the heater button again to turn on the heater and blower. Press the heater button again to turn off the heater and blower.
- The timer controls all operating modes of the appliance. To activate the timer, press the timer button . To choose the desired time, continue to press the timer button. There are 8 settings (30mins, 1h, 2h, 3h, 4h, 5h, 6h and off). The appliance will turn off at the setting time.
- To activate the decoration light, press the light button . There are 3 settings to cycle through and then an off setting (d1, d2, d3 and then d0). d1 white colour, d2 colour cycles from White / Orange / Blue / Orange-Blue / White-Orange / White-Blue. It will take 8.5 seconds to switch from 1 colour to the next when in d2 setting and d3 will lock to a desired colour.
- To turn off the appliance, press the power button once on the remote, or press the power button once on the control panel on the appliance.



note:

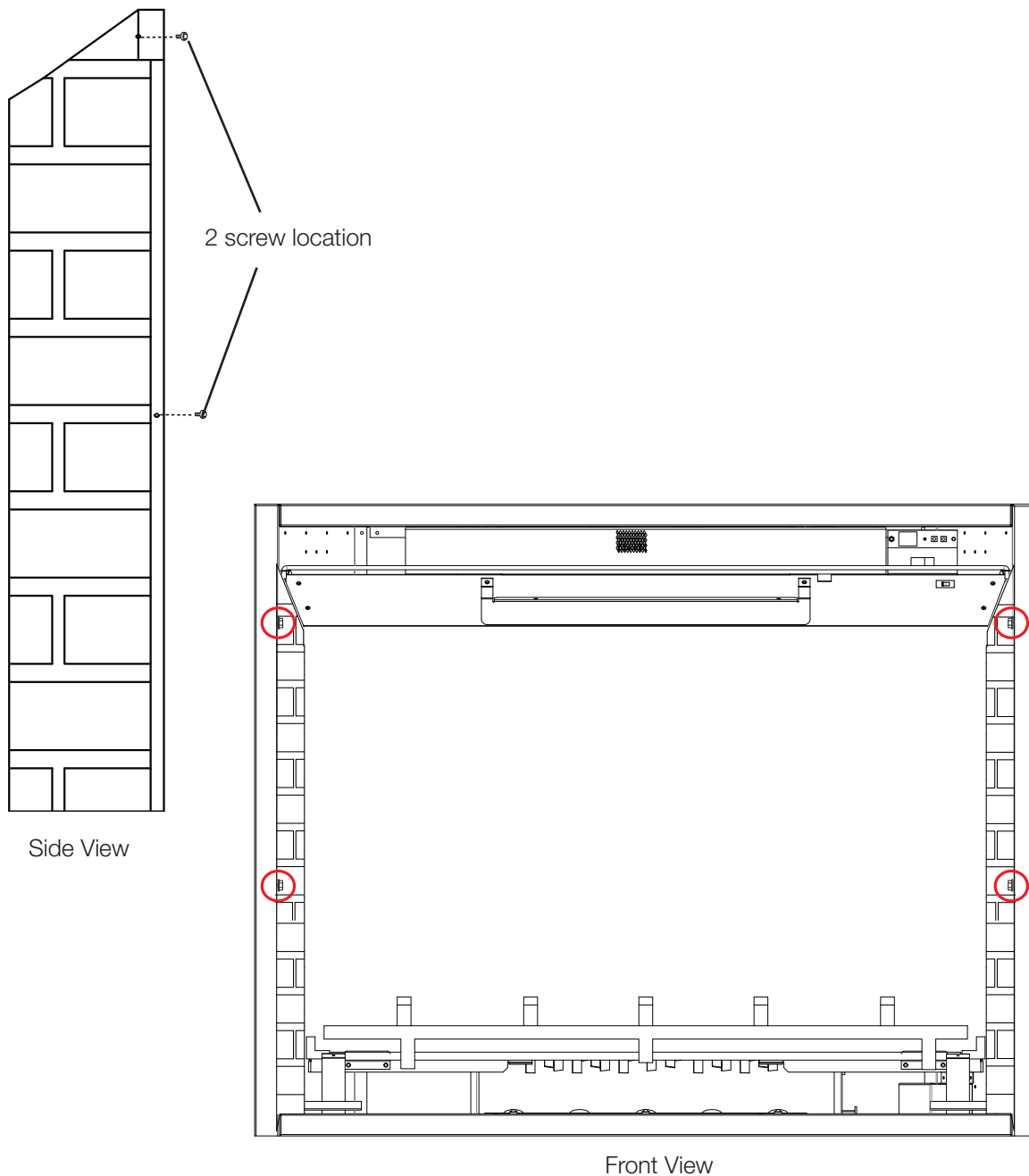
This hand held remote control must remain within 6 meters (19ft.) of the appliance to be effective.

! WARNING

- Power supply service must be completed prior to finishing to avoid reconstruction.
- Heat vents and air openings cannot be covered in any circumstances.

5.1 brick panel installation and removal

- Slide the panels into place and secure it using the 2 screws (supplied).
- Ensure the brick panels are positioned properly in the appliance and are not angled or sticking out from the appliance.
- To remove the panels, remove the 2 screws.



5.2 glass door removal and installation

! WARNING

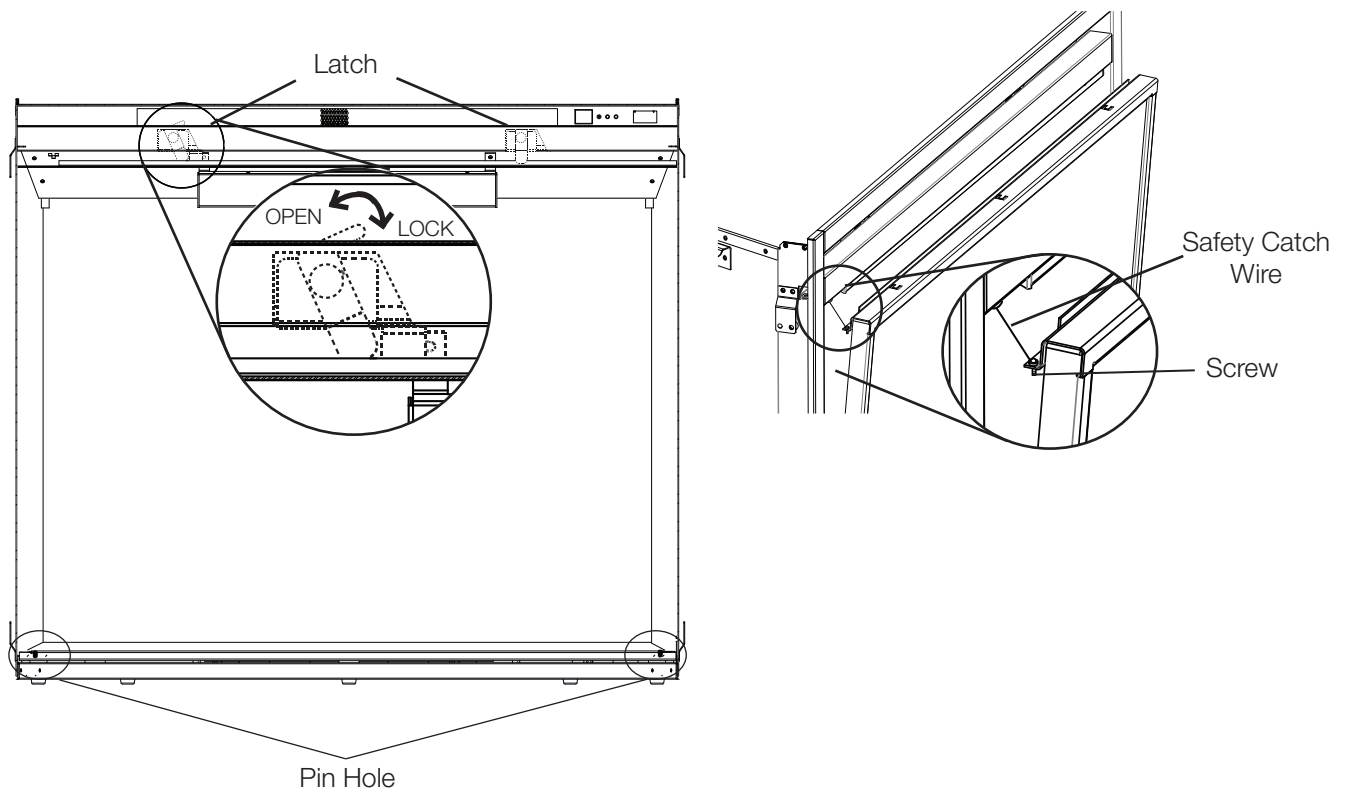
- Glass may be hot. Do not touch glass until cooled.
- If equipped with door latches that are part of a safety system, they must be properly engaged. Do not operate the appliance with latches disengaged.
- Facing and/or finishing materials must not interfere with air flow through air openings, louvre openings, operation of louvres, or doors/access for service. Observe all clearances when applying combustible materials.
- Before door is removed, turn the appliance off and wait until appliance is cool to the touch. Doors are heavy and fragile so handle with care.

- A.** To install the glass door, simply place the door on the holding pins on the bottom frame of the appliance. Install the screw into the safety catch wire, slightly push the glass door into the frame and latch it secure with the 2 top latches.
- B.** To remove the glass door, swing the top 2 latches to release the door. The door will hang slightly on the the safety catch wire.

note:

Pushing in on the door will make the latch swing easier.

- C.** Place 1 hand on the glass door while removing the screw from the catch wire. Allow the door to pivot slightly, hold the sides with both hands while lifting the door out of the appliance.



note:

The above is illustrated with latches visible.

6.0 maintenance

! WARNING

- In preparation for maintenance, always disconnect the power and allow the electric appliance to cool before performing any cleaning, maintenance, or relocation of this electric appliance.
- Turn controls to OFF and remove plug from outlet or turn off the house circuit breaker to electric appliance receptacle.
- Do not install replacement LED lights that exceed specified maximum watts.

! IMPORTANT SAFETY INFORMATION

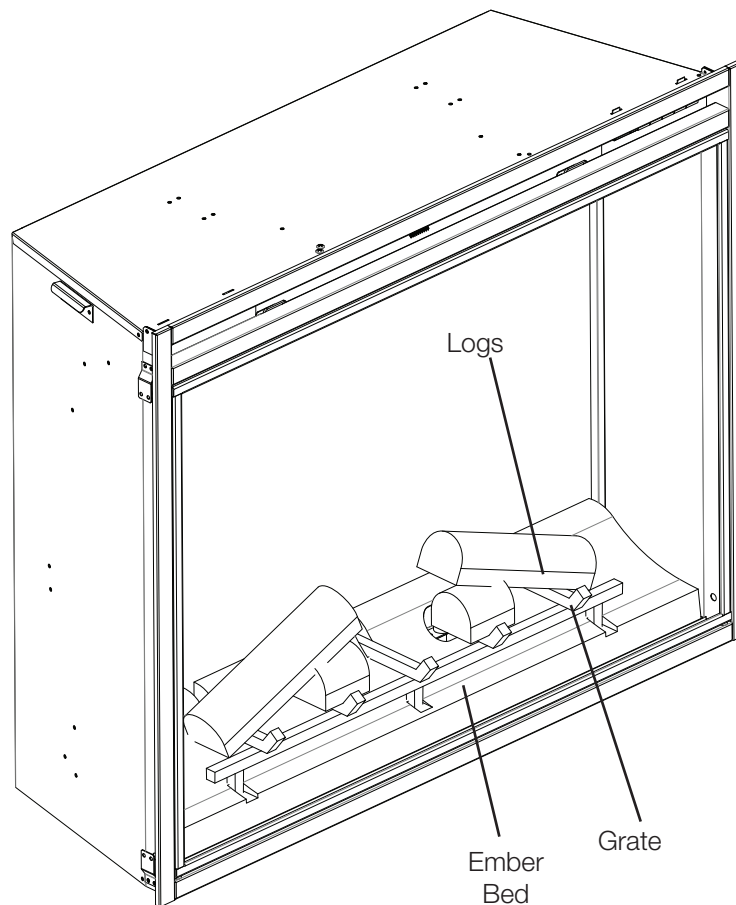
- CONSUMER: Read this first before attempting to service this appliance. For your safety, always comply with all warnings and safety instructions to prevent personal injury or property damage.

note:

Only a qualified service technician or service agency should service this electric appliance.

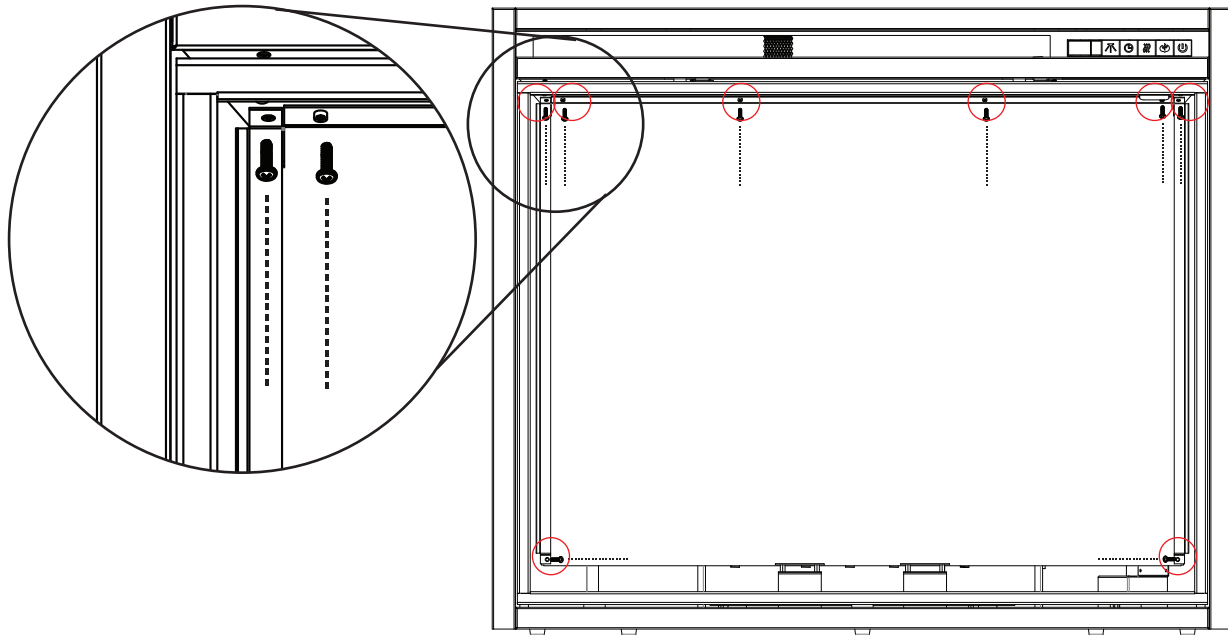
6.1 log, grate and ember bed assembly / removal

- A. Cut zip-ties securing log assembly to appliance and remove the cardboard holding the logs, grate and ember bed assembly to the appliance.
- B. Pinch the back of the assembly and lift it up from the appliance.



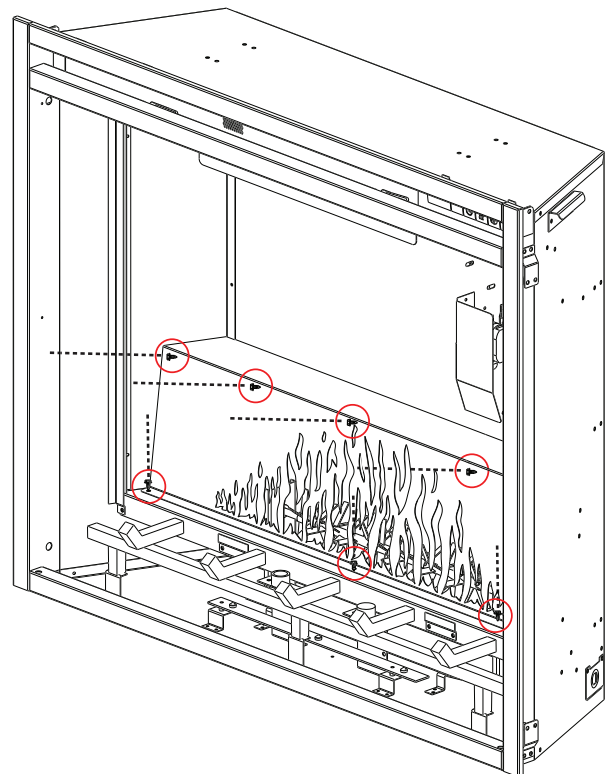
6.2 flame panel removal

- A. Remove the 4 screws securing the top bracket.
- B. Remove the 2 screws securing the left bracket. Repeat for the right side.
- C. Lift up and remove the panel.



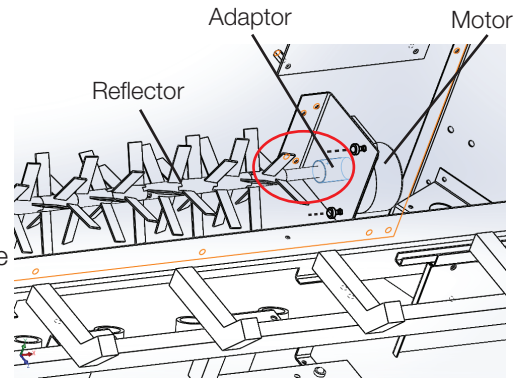
6.3 flame board removal

- A. Remove the 3 screws on the bottom and 4 screws on top of the flame board.
- B. Lift the flame board out of the appliance.



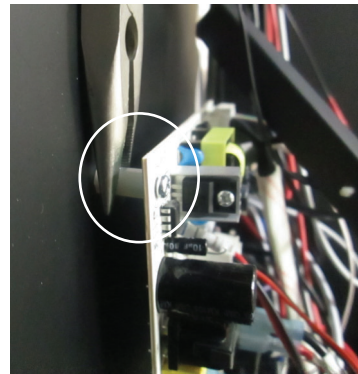
6.4 motor replacement

- To access the 2 screws holding the motor, remove the reflector. Pull the reflector out from the adaptor to release the reflector and pull the adaptor from the motor.
- Unplug the quick connect motor wire from the wire harness.
- Remove the 2 screws holding the motor and take the motor out of the appliance.



6.5 control board replacement

- To prevent stripping of the plastic plugs on the back of the control board, hold the plugs with pliers while removing each of the 4 screws.
- Unplug all the wires connected on the control board.



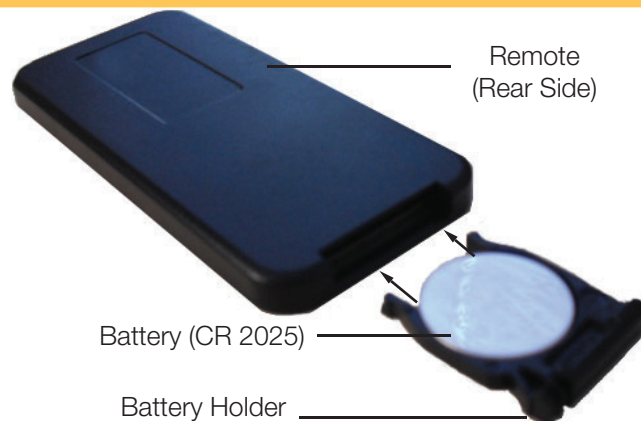
6.6 remote battery installation

! WARNING

- This remote control requires button batteries that are hazardous to young children.
- WARNING - KEEP BATTERIES OUT OF REACH OF CHILDREN!**
- Swallowing may lead to serious injury in as little as 2 hours or death, due to chemical burns and potential perforation of the oesophagus.
- If you suspect your child has swallowed or inserted a button battery, immediately seek urgent medical assistance.
- Examine devices and make sure the battery compartment is correctly secured (that the screw or other mechanical fastener is tightened). Do not use if compartment is not secure.
- Dispose of used button batteries immediately and safely. Flat batteries can still be dangerous.
- Tell others about the risk associated with button batteries and how to keep their children safe.



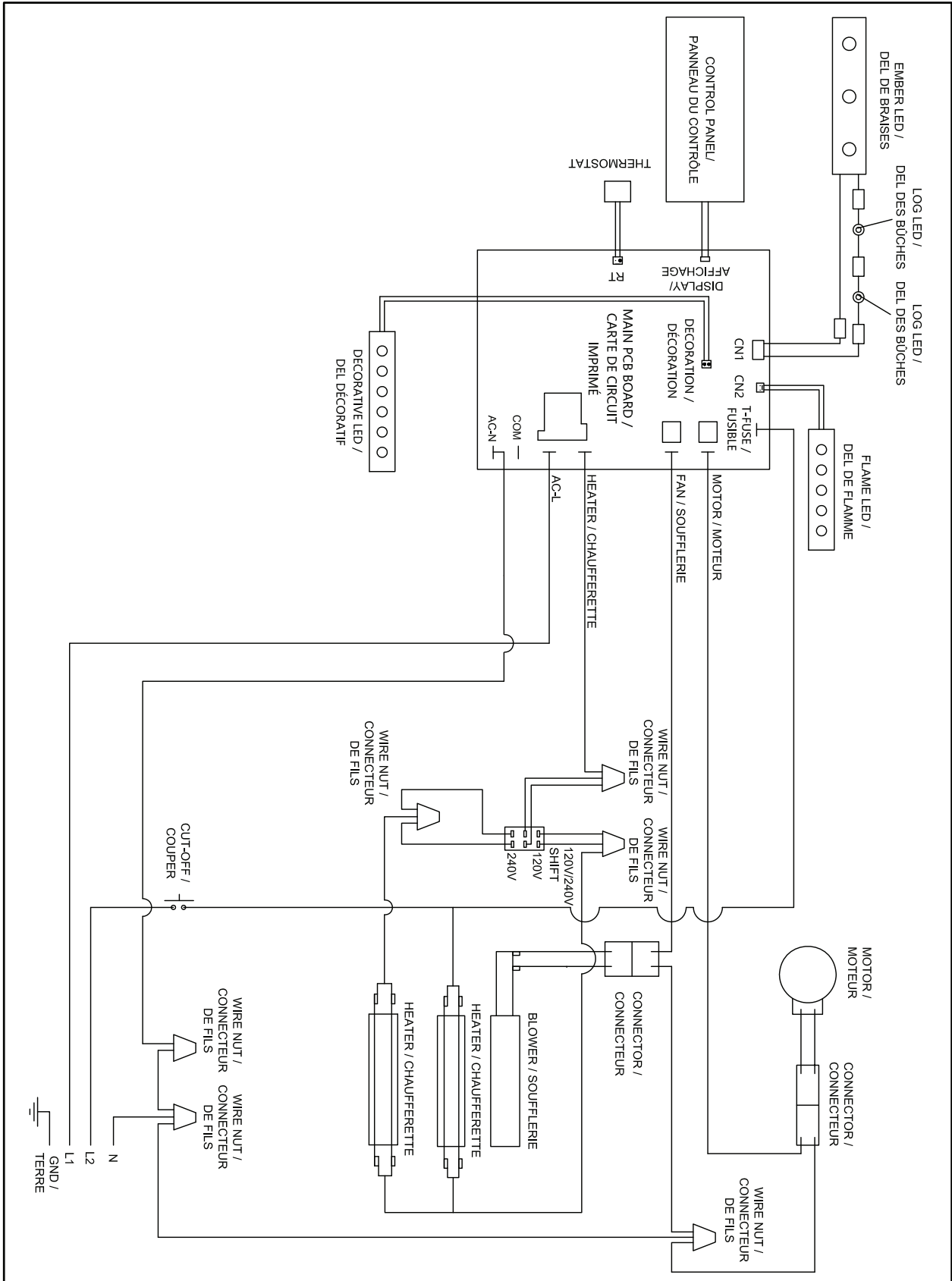
- To replace the existing battery, remove the battery holder.
- To remove the battery holder, turn remote onto front side and press the left side lever towards the center while pulling the battery holder out using the slot provided.
- Replace existing battery, type CR 2025, with a new battery and reinstall the battery holder into the remote by sliding it into position.
- Battery holder is secure into the remote when a clicking noise is heard.



Batteries must be disposed of according to the local laws and regulations. Some batteries may be recycled, and may be accepted for disposal at your local recycling center. Check with your municipality for recycling instructions.

! WARNING

- Turn off appliance completely and let cool before servicing.
- Only a qualified service person should service and repair this electric appliance.



8.0 replacement parts

WARNING

- Failure to position the parts in accordance with this manual or failure to use only parts specifically approved with this appliance may result in property damage or personal injury.

Contact your dealer for questions concerning prices and policies on replacement parts. Normally, all parts can be ordered through your Authorized dealer / distributor.

For warranty replacement parts, a photocopy of the original invoice will be required to honour the claim.

When ordering replacement parts always give the following information:

- Model & Serial Number of appliance
- Installation date of appliance
- Part number
- Description of part
- Finish

Parts, part numbers, and availability are subject to change without notice.

Parts identified as stocked will be delivered within 2 to 5 business days for most delivery destinations.

Parts not identified as stocked will be delivered within a 2 to 4 week period, for most cases.

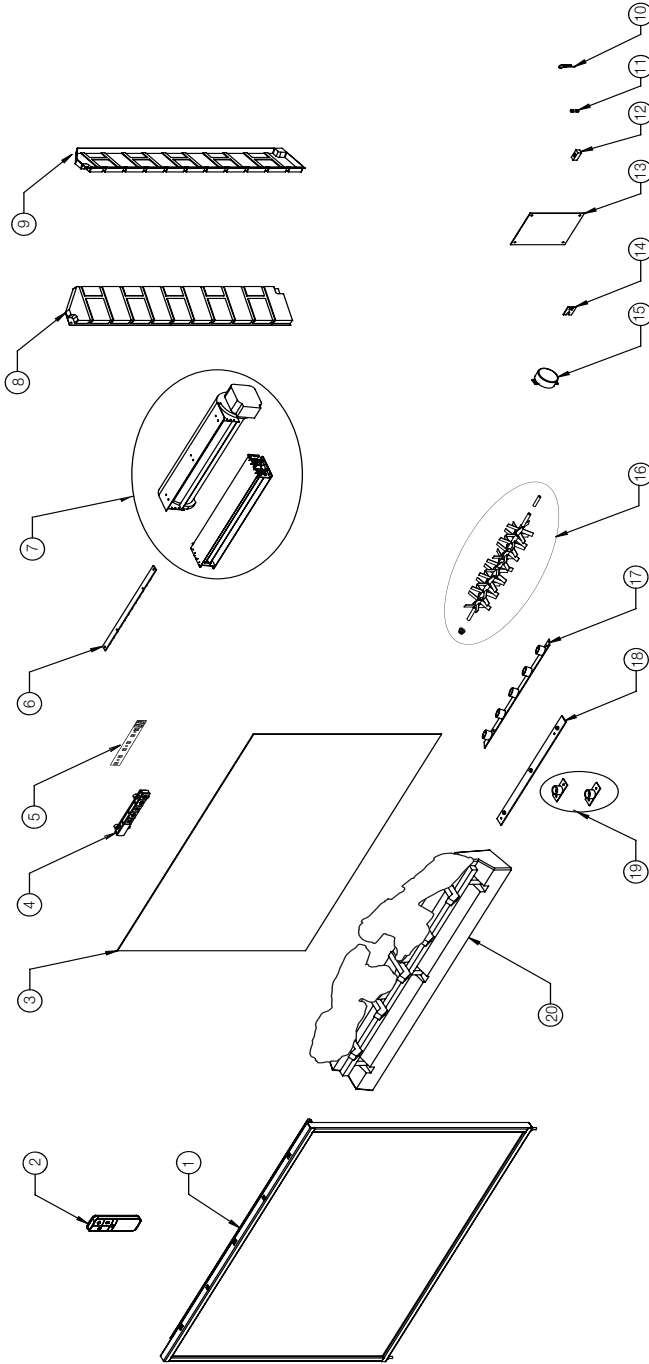
Parts identified as 'SO' are special order and can take up to 90 days for delivery.

For after-sales service, please call 1-866-820-8686.

note:

Care must be taken when removing and disposing of any broken glass or damaged components. Be sure to vacuum up any broken glass from inside the appliance before operation.

8.1 NEFB33H overview



Items may not appear exactly as illustrated.

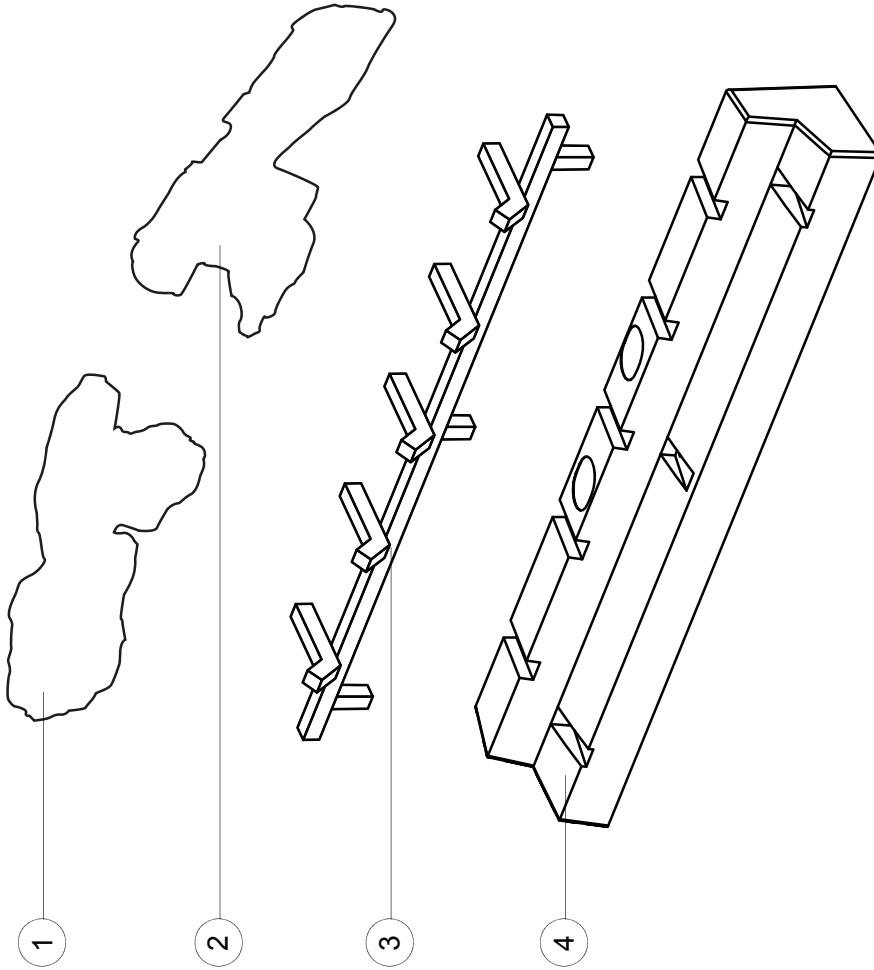
Ref. No.	Part No.	Description	Stocked
1	W010-3142-SER	Door assembly	Yes
2	G660-0005-SER	Remote control	Yes
3	W497-0011-SER	Flame panel	Yes
4	G010-0080-SER	Control panel	Yes
5	G190-0006-SER	Control panel board	Yes
6	G405-0007-SER	Decorative LED light	Yes
7	W010-3887-SER	Heater and blower assembly	Yes
8	W475-0952-SER	Left side brick panel	Yes
9	W475-0953-SER	Right side brick panel	Yes
10	G750-0034-SER	Wire assembly	

Ref. No.	Part No.	Description	Stocked
11	W285-0002-SER	Fuse 2 amp	Yes
12	W660-0177-SER	Switch 120/240V	
13	W190-0089-SER	PCB board	Yes
14	G190-0007-SER	Thermostat	Yes
15	W435-0059-SER	Synchronous motor	Yes
16	W010-3145-SER	Reflector (w/ bushing and adaptor)	Yes
17	G405-0013-SER	Flame LED strip	
18	W405-0014-SER	Ember LED strip	Yes
19	G405-0014-SER	Log LED	
20	W010-3317-SER	Log assembly	SO

note:

The complete assembly (W010-3317-SER) must be ordered to replace any of its parts.

8.2 NEFB33H log assembly (W010-3317-SER)



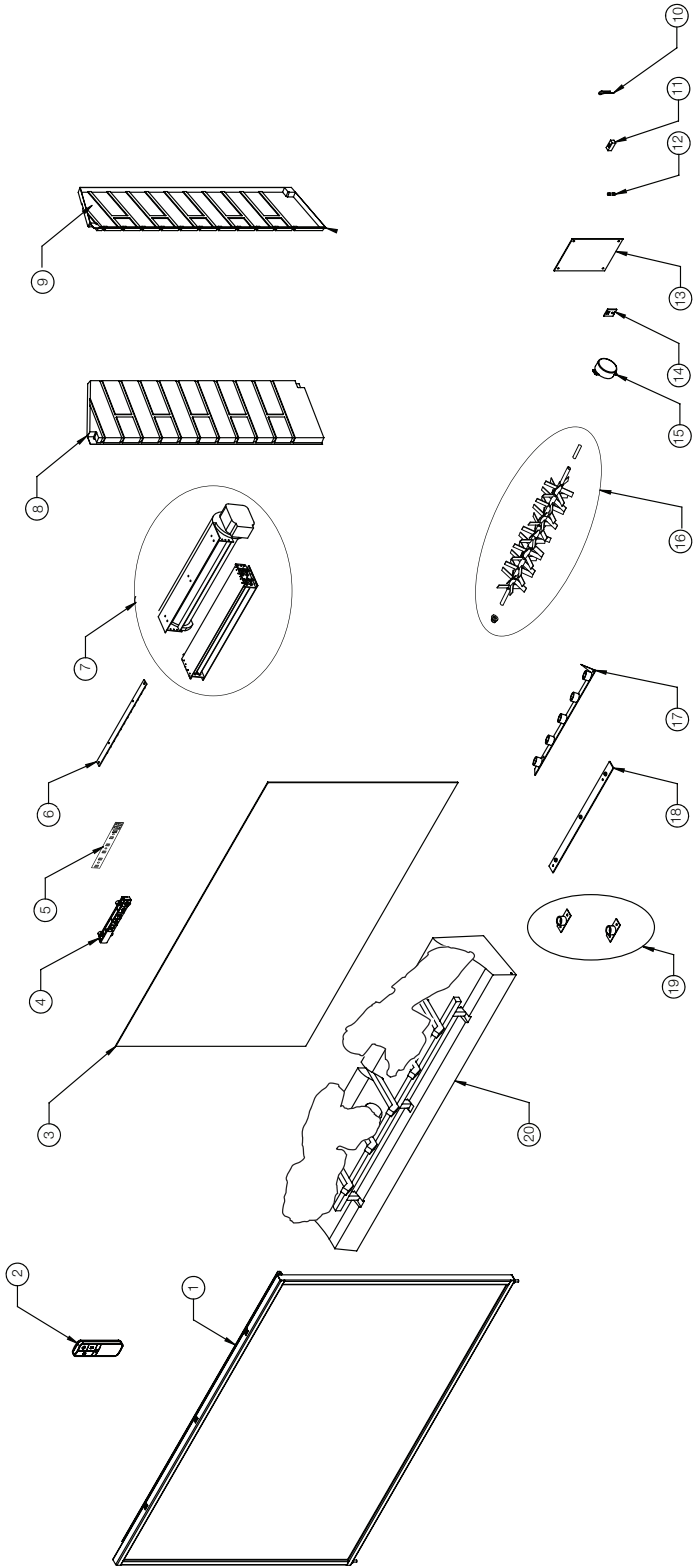
Items may not appear exactly as illustrated.

Ref. No.	Part No.	Description	Stocked	Ref. No.	Part No.	Description	Stocked
1	G135-0006-SER	Left side log	SO	3	W185-0032-SER	Grate assembly	SO
2	G135-0007-SER	Right side log	SO	4	G135-0005-SER	Ember bed	SO

note:

Care must be taken when removing and disposing of any broken glass or damaged components. Be sure to vacuum up any broken glass from inside the appliance before operation.

8.3 NEFB40H overview



Items may not appear exactly as illustrated.

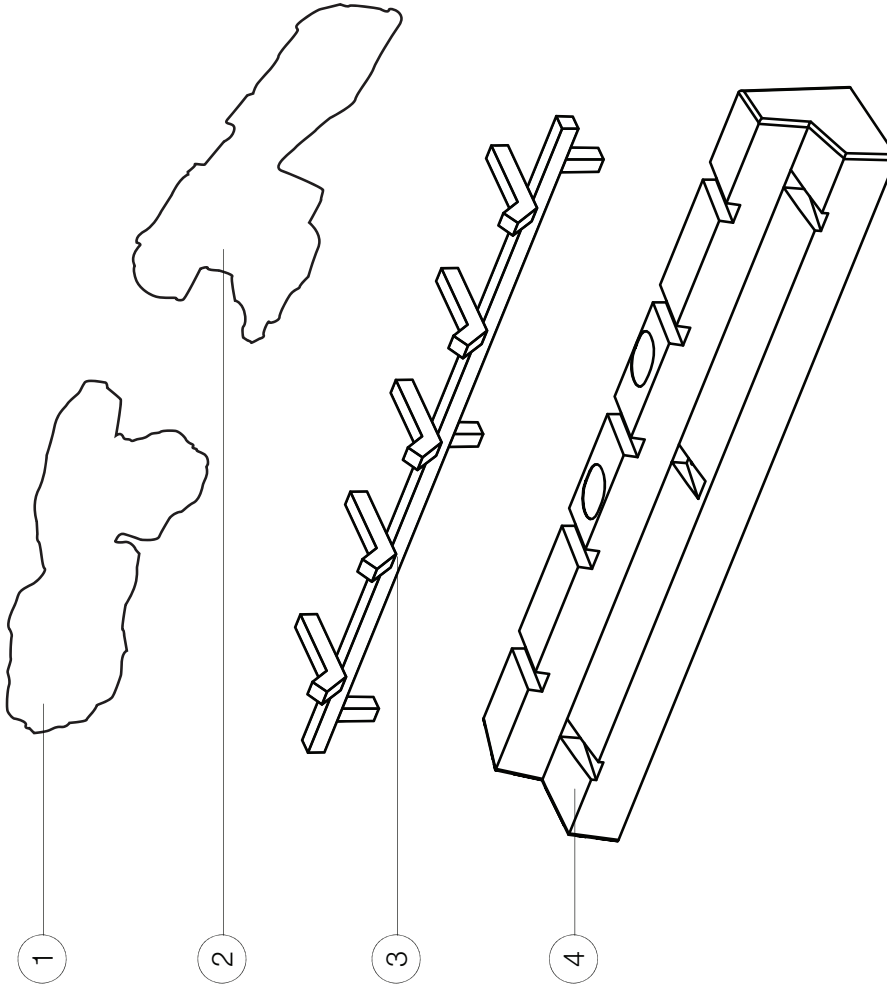
Ref. No	Part No.	Description	Stocked
1	G010-0059-SER	Door assembly	Yes
2	G660-0005-SER	Remote control	Yes
3	W497-0012-SER	Flame panel	Yes
4	G010-0080-SER	Control panel	Yes
5	G190-0006-SER	Control panel board	Yes
6	G405-0007-SER	Decorative LED light	Yes
7	W010-3887-SER	Heater and blower assembly	Yes
8	G475-0008-SER	Left side brick panel	Yes
9	G475-0009-SER	Right side brick panel	Yes
10	G750-0034-SER	Wire assembly	Yes

Ref. No	Part No.	Description	Stocked
11	W660-0177-SER	Switch 120/240V	Yes
12	W285-0002-SER	Fuse 2 amp	Yes
13	W190-0089-SER	PCB board	Yes
14	G190-0007-SER	Thermostat	Yes
15	W435-0059-SER	Synchronous motor	Yes
16	G010-0058-SER	Reflector (w/ bushing & adaptor)	Yes
17	G405-0013-SER	Flame LED strip	Yes
18	W405-0014-SER	Ember LED strip	Yes
19	G405-0014-SER	Log LED	Yes
20	W010-3318-SER	Log assembly	SO

note:

The complete assembly (W010-3318-SER) must be ordered to replace any of its parts.

8.4 NEFB40H log assembly (W010-3318-SER)



Items may not appear exactly as illustrated.

Ref. No.	Part No.	Description	Stocked	Ref. No.	Part No.	Description	Stocked
1	G135-0008-SER	Left side log	SO	3	G135-0001-SER	Grate assembly	SO
2	G135-0009-SER	Right side log	SO	4	G135-0010-SER	Ember bed	SO

WARNING

- Turn off the appliance completely and let cool before servicing. Only a qualified service person should service and repair this electric appliance.

symptom	problem	solution
Appliance will not come on when power button/switch is put into the “on” position.	Appliance is not plugged into an electrical outlet.	Check plug, and plug in the appliance if necessary.
	Hard-wire connections are not correct (if applicable).	See “hard-wiring installation” section.
	Appliance has overheated and safety thermal switch has tripped.	Unplug power or turn off the circuit breaker, allow appliance to cool for 15 minutes, then plug in the appliance or turn the breaker on.
	Main PCB board issue.	Inspect the circuit board and replace, if necessary.
Appliance turns off and will not turn on.	House circuit breaker has tripped.	Reset house circuit breaker.
	Appliance’s fuse has blown.	Replace the fuse.
	Appliance has overheated and safety thermal switch has tripped.	Unplug power or turn off the circuit breaker, allow appliance to cool for 15 minutes to reset the thermal switch, then plug in the appliance or turn the breaker on.
Appliance has returned to default settings.	Power failure.	Re-program appliance to original settings (not applicable with all appliances).
Remote control does not work.	Low/dead batteries.	Replace batteries in remote control.
	Remote receiver malfunction.	Ensure remote receiver is not blocked. Replace control panel.
No warm air coming out of the appliance.	Heater setting not selected.	See “operation” section.
	Heater has been locked out.	See “operation” section.
	Room temperature is higher than appliance setting (if set to room temperature).	Reset temperature setting.
	Appliance has overheated and safety thermal switch has tripped.	Unplug power or turn off the circuit breaker. Allow for appliance to cool for 15 minutes.
	Hard-wire connections are not correct (if applicable).	See “hard-wiring installation” section.
	Heater issue.	Inspect the blower and heater and replace, if necessary.
Heater shuts off automatically.	Room is too warm.	The heater has a built-in thermostat so it will shut off automatically once the pre-set temperature is reached. It will also turn on automatically if the room temperature drops below the pre-set temperature.
Dim or no flame.	Flame brightness not selected.	See “operation” section.
	Flame LEDs issue.	Inspect the LED and replace, if necessary.
	Main PCB board issue.	Inspect the main PCB board and replace, if necessary.
Flame does not move.	Motor is stalled/malfunctioning.	Cycle on/off. If problem persists, consult dealer.
Ember bed is not glowing or dimming.	Brightness not selected.	See “operation” section.
	Ember LED issue.	Inspect the ember bed LEDs and replace, if necessary.
	Main PCB board issue.	Inspect the main PCB board and replace, if necessary.
LED flashing “OH”.	Appliance has overheated and safety thermal switch has tripped.	Unplug power or turn off the circuit breaker. Allow appliance to cool for 15 minutes, then plug in the appliance or turn the breaker on. If problem persists, consults your dealer.

Napoleon electric appliances are manufactured under the strict Standard of the world recognized ISO 9001 : 2015 Quality Management System.

Napoleon products are designed with superior components and materials and assembled by trained craftsmen who take great pride in their work. Once assembled, the complete appliance is thoroughly inspected by a qualified and authorized installer, service agency, or supplier before packing to ensure that you, the customer, receive the quality product that you expect from **Napoleon**.

Napoleon Electric Appliance Premium Warranty

Electrical components and wearable parts are covered and **Napoleon** will provide replacement parts free of charge during the first 2 years of premium warranty. This covers: fan/heaters, motors, switches, nylon bearing components, remote controls, and LED lights.*

Light bulbs and fuses are NOT covered by the warranty.

In the first year only, any labour related to warranty repair is covered.

* Construction of models vary. Warranty applies only to components included with your specific appliance.

Conditions and Limitations

Napoleon warrants its products against manufacturing defects to the original purchaser only. Registering your warranty is not necessary. Simply provide your proof of purchase along with the model and serial number to make a warranty claim. Provided that the purchase was made through an authorized **Napoleon** dealer, your appliance is subject to the following conditions and limitations:

Warranty coverage begins on the date of original installation.

This factory warranty is non-transferable and may not be extended whatsoever by any of our representatives.

Installation must be done in accordance with the installation instructions included with the product and all local and national building and fire codes.

This premium warranty does not cover damages caused by misuse, lack of maintenance, accident, alterations, abuse, or neglect and parts installed from other manufacturers will nullify this warranty.

This premium warranty further does not cover any scratches, dents, corrosion, or discolouring caused by excessive heat, abrasive and chemical cleaners, nor chipping on porcelain enamel parts, mechanical breakage of PHAZER™ logs.

In the first 2 years only, this warranty extends to the repair or replacement of warranted parts which are defective in material or workmanship, provided that the product has been operated in accordance with the operation instructions and under normal conditions.

After the first year, **Napoleon** will not be responsible for installation, labour, or any other expenses related to the reinstallation of a warranted part, and such expenses are not covered by this warranty. Notwithstanding any provisions contained in the Premium Warranty, **Napoleon** responsibility under this warranty is defined as above, and it shall not in any event extend to any incidental, consequential, or indirect damages.

This warranty defines the obligations and liability of **Napoleon** with respect to the **Napoleon** electric appliance and any other warranties expressed or implied with respect to this product; its components or accessories are excluded.

Napoleon neither assumes, nor authorizes any third party to assume, on its behalf, any other liabilities with respect to the sale of this product.

Any damages to appliance, brass trim or other component due to water, weather damage, long periods of dampness, condensation, damaging chemicals, or cleaners will not be the responsibility of **Napoleon**.

Napoleon reserves the right to have its representative inspect any product or part thereof prior to honouring any warranty claim.

All parts replaced under the Premium Warranty Policy are subject to a single claim.

All parts replaced under the warranty will be covered for a period of 90 days from the date of their installation.

The manufacturer may require that defective parts or products be returned or that digital pictures be provided to support the claim. Returned products are to be shipped prepaid to the manufacturer for investigation. If a product is found to be defective, the manufacturer will repair or replace such defect.

Before shipping your appliance or defective components, your dealer must obtain an authorization number. Any merchandise shipped without authorization will be refused and returned to sender.

Shipping costs are not covered under this warranty.

Additional service fees may apply if you are seeking warranty service from a dealer.

All specifications and designed are subject to change without prior notice due to on-going product improvements. **Napoleon** is a registered trademark of Wolf Steel Ltd.

Appliance Service History This appliance must be serviced annually depending on usage.				
Date	Dealer Name	Service Technician Name	Service Performed	Special Concerns

NAPOLEON CELEBRATING OVER 40 YEARS OF HOME COMFORT PRODUCTS



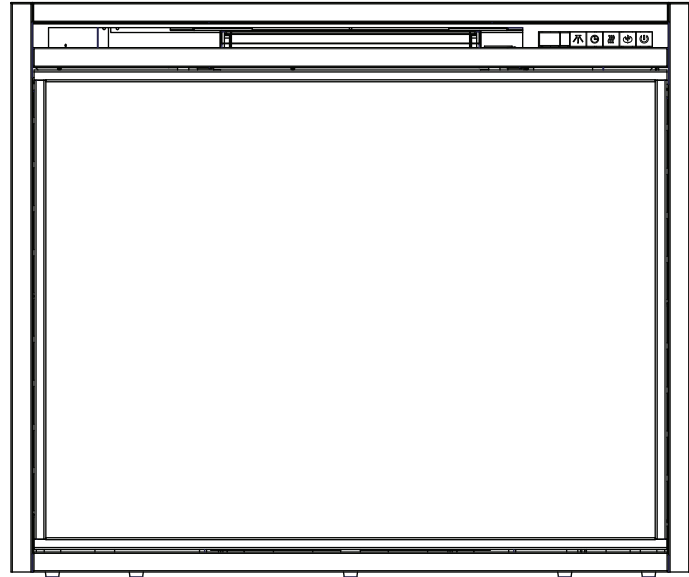
7200, Route Transcanadienne, Montréal, Québec H4T 1A3
24 Napoleon Road, Barrie, Ontario, Canada L4M 0G8
214 Bayview Drive, Barrie, Ontario, Canada L4N 4Y8
103 Miller Drive, Crittenden, Kentucky, USA 41030

Phone: 1-866-820-8686
napoleon.com



MANUEL D'INSTALLATION ET D'OPÉRATION

Série Ascent^{MD} Électrique
(NEFB33H Illustré)



CONSIGNES DE SÉCURITÉ

! AVERTISSEMENT

RISQUE D'INCENDIE OU D'EXPLOSION

Si ces instructions ne sont pas suivies à la lettre, un incendie pourrait s'ensuivre causant des dommages matériels, des blessures corporelles ou des pertes de vie.

- N'entreposez pas et n'utilisez pas d'essence ou autres liquides et vapeurs inflammables à proximité de cet appareil ou tout autre appareil.

INSTALLATEUR:

Laissez ce manuel avec l'appareil

PROPRIÉTAIRE:

Conservez ce manuel pour consultation ultérieure.



Cet appareil dispose d'une télécommande qui nécessite des piles à bouton qui sont dangereuses pour les jeunes enfants.

POUR L'UTILISATION INTÉRIEUR SEULEMENT

CERTIFIÉ SELON LES NORMES NATIONALES CANADIENNES ET AMÉRICAINES:
CSA 22.2 NO. 46 / UL 2021



Wolf Steel Ltd., 24 Napoleon Rd., Barrie, ON, L4M 0G8 Canada / 103 Miller Drive, Crittenden, Kentucky, USA, 41030
Téléphone 1 (866) 826 8686 • www.napoleon.com • hearth@napoleon.com

AVERTISSEMENT

- **Si équipé avec un chauffage, cet appareil peut être chaud lorsqu'il fonctionne et peut causer de graves brûlures en cas de contact.**
- Ne faites pas fonctionner l'appareil avant d'avoir lu et compris les instructions d'utilisation. L'incapacité de respecter les instructions pourrait causer un incendie ou des blessures corporelles.
- N'installez pas de composants endommagés ou incomplets, ni des composants de substitution.
- Ne brûlez pas de bois ou autres matériaux dans cet appareil.
- Tous les appareils électriques contiennent des composants internes qui deviennent chauds et qui produisent des étincelles. N'utilisez pas cet appareil dans des endroits où de l'essence, des peintures ou d'autres liquides inflammables sont présents.
- Les grillages de sécurités ou écrans enlevés pour faire l'entretien devront être remis en place avant d'utiliser l'appareil.
- Il est primordial de garder propres les compartiments de contrôle, les brûleurs, la soufflerie, les bouches d'air de l'appareil ainsi que le système d'évacuation. L'appareil et son système d'évacuation doivent être inspectés avant la première utilisation et au moins une fois l'an par un spécialiste en entretien. Un entretien plus fréquent pourrait être nécessaire en raison des peluches provenant des tapis, literie, etc. L'emplacement de l'appareil doit être gardé libre de tous matériaux combustibles, essence ou autres liquides et vapeurs inflammables.
- Cet appareil ne devra être modifié en aucun cas.
- N'utilisez pas cet appareil si une partie quelconque a été submergée. Contactez immédiatement un technicien de service qualifié pour inspecter l'appareil et pour remplacer toute pièce du système de contrôle qui aurait été submergée.
- Si équipé avec une porte vitrée, n'opérer pas l'appareil lorsque la porte vitrée est enlevée, fissurée ou brisée. Le remplacement de la vitre devra être effectué par un technicien de service certifié ou qualifié.
- Si équipé avec un porte vitrée, ne frappez pas et ne claquez pas la porte vitrée de l'appareil.
- Les matériaux d'emballage doivent être gardés hors de la portée des enfants et mis au rebut de façon sécuritaire. Comme tous les emballages de plastique, ceux-ci ne sont pas des jouets et doivent demeurer hors de la portée des enfants et des bébés.
- L'entretien ne doit être effectué que lorsque l'appareil est débranché du circuit électrique.
- Débranchez toujours l'appareil lorsqu'il n'est pas utilisé.
- N'utilisez pas l'appareil si le cordon d'alimentation ou la fiche sont endommagés, s'il ne fonctionne pas bien, ou s'il a été échappé ou endommagé d'une quelconque façon. Retournez l'appareil à un centre de service autorisé pour une inspection, des ajustements électriques ou mécaniques ou une réparation.
- N'utilisez pas cet appareil à l'extérieur.
- Lorsque vous installez cet appareil dans une pièce où l'eau est présente, l'installation doit se conformer aux codes reconnaissant le risque accru de décharge électrique et d'électrocution.

note:

Cet appareil NE PEUT PAS être installé dans une salle de bain.

- Ne passez pas le cordon d'alimentation sous un tapis. Ne recouvrez pas le cordon avec des carpettes, des tapis de couloir ou autres revêtements similaires. Évitez de placer le cordon dans un endroit passant ou à un endroit où il risque de causer des chutes.
- Branchez seulement dans une prise de courant adéquatement mise à la terre.
- N'insérez pas d'objets dans les ouvertures d'entrée d'air ou de sortie d'air puisque cela risque d'endommager l'appareil ou causer des chocs électriques ou un incendie.
- Il est normal que votre appareil électrique produise du bruit, surtout s'il est installé dans un endroit calme comme un chambre à coucher.

AVERTISSEMENT

- Pour prévenir les risques d'incendie, ne bloquez pas les entrées d'air et les sorties d'air de quelque manière que ce soit. Ne placez pas cet appareil sur une surface molle telle qu'un tapis où les ouvertures pourraient se bloquer.
- Toujours brancher l'appareil directement dans une prise murale. N'utilisez pas de cordons d'alimentation ou une robinet d'alimentation relogeables (alimentation/multiprise).
- Cet appareil a été testé et homologué pour usage avec les accessoires optionnels listés dans ce manuel uniquement. L'utilisation d'accessoires optionnels qui n'ont pas été spécifiquement testés pour cet appareil électrique annulera la garantie de l'appareil et/ou présentera des risques pour la sécurité.

Pour les appareil équipé avec chauffage:

- Risque de brûlures. L'appareil doit être éteint et refroidi avant d'effectuer l'entretien. Pour débrancher l'appareil, mettez d'abord les boutons de contrôle à « OFF » puis retirez la fiche de la prise de courant.
- Les jeunes enfants doivent être supervisés attentivement lorsqu'ils sont dans la même pièce que l'appareil recommandés s'il y a dans la maison des individus à risque. Les jeunes enfants et autres personnes sont sujets aux brûlures accidentelles. Une barrière de protection est recommandée s'il y a dans la maison des individus à risque. Afin de restreindre l'accès à l'appareil, installez une barrière de protection ajustable pour garder les jeunes enfants ou autres personnes à risque hors de la pièce et loin des surfaces chaudes.
- Les vêtements et autres matériaux combustibles ne doivent pas être posés sur l'appareil ou à proximité.
- En raison des températures élevées, l'appareil devrait être placé loin des endroits passants et loin des meubles et des rideaux.
- Assurez-vous de disposer de mesures de sécurité adéquates pour empêcher les jeunes enfants de toucher aux surfaces chaudes.
- Même lorsque l'appareil est éteint, la porte et l'écran demeureront chauds pendant un bon moment.
- Consultez votre détaillant local de foyer pour connaître les grillages de sécurité et les écrans offerts pour protéger les enfants des surfaces chaudes. Ces grillages de sécurité et ces écrans doivent être fixés au plancher.
- Assurez-vous de respecter les dégagements aux matériaux combustibles lorsque vous installez un manteau ou des tablettes au-dessus de l'appareil. Les téléviseurs et autres composants électroniques soumis à des températures élevées peuvent fondre, se déformer, se décolorer et entraîner des défaillances prématurées de ces appareils.

 AVERTISSEMENT: Ce produit peut vous exposer à des substances chimiques incluant le plomb et les composés de plomb qui, selon l'État de Californie, causeraient le cancer, et des substances chimiques incluant le BBP et DEHP qui, selon d'État de Californie, causeraient des malformations congénitales ou autres dangers pour la reproduction. Pour de plus amples renseignements, visitez le www.P65Warnings.ca.gov.

table des matières

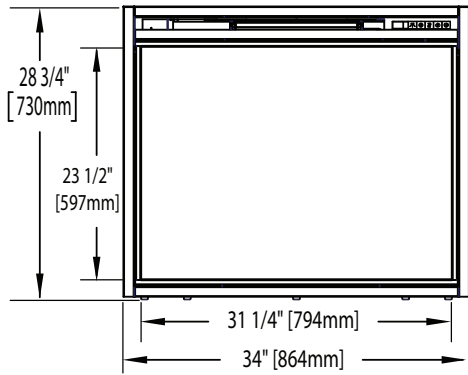
FR

1.0	information générales	39
1.1	dimensions	39
1.2	homologations	40
1.3	instructions générales	40
1.4	déballage et vérification de l'appareil	40
1.5	information à propos de la plaque d'homologation	41
1.6	emplacement de l'étiquette	42
2.0	emplacement de l'appareil	43
2.1	mise à la terre de l'appareil	43
3.0	installation	44
3.1	dégagements minimaux aux matériaux combustibles	44
3.2	dégagement minimaux de la tablette	44
3.3	ossature	45
3.3.1	installation de l'appareil	46
3.3.2	sélection de la tension	46
3.3.3	emplacement du sélecteur de la tension	47
3.3.4	montage de fiche de cordon de 120V	47
3.3.5	branchement par câble 120V	48
3.3.6	branchement par câble 240V	50
4.0	instructions de fonctionnement	52
4.1	fonctionnement du panneau de contrôle	52
4.2	utilisation de la télécommande	53
5.0	finitions	54
5.1	enlèvement et installation des panneaux de brique	54
5.2	installation de la porte vitrée	55
6.0	entretien	56
6.1	retrait des bûches, de la grille et du lit de braises	56
6.2	retrait du panneau du flammes	57
6.3	retrait du bord de flammes	57
6.4	remplacement du moteur	58
6.5	remplacement de panneau de contrôle	58
6.6	installation de la pile de la télécommande	58
7.0	schéma de câblage	59
8.0	pièces de rechanges	60
8.1	vue d'ensemble NEFB33H	61
8.2	l'ensemble des bûches NEFB33H (W010-3317-SER)	62
8.3	vue d'ensemble NEFB40H	63
8.4	l'ensemble des bûches NEFB40H (W010-3318-SER)	64
9.0	guide de dépannage	65
10.0	garantie	67

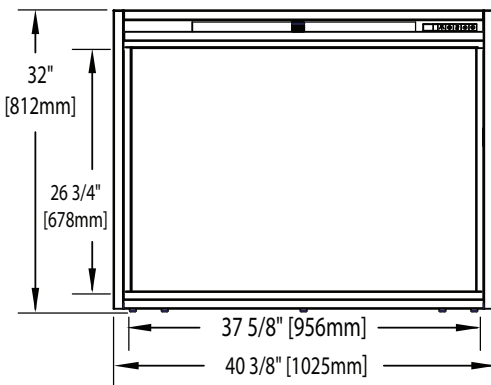
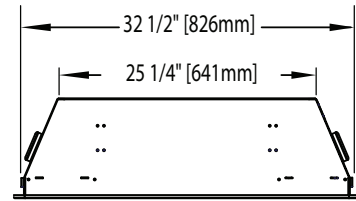
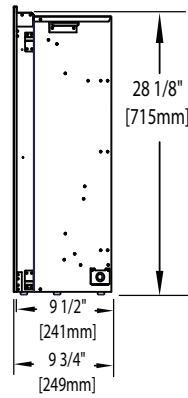
note:

L'information contenue dans ce manuel est jugée correcte au moment de l'impression. Wolf Steel Ltée. se réserve le droit de modifier ou de modifier toute information contenue dans ce manuel à tout moment sans préavis. Les modifications, autre que les éditoriaux, sont désignées par une ligne verticale dans la marge.

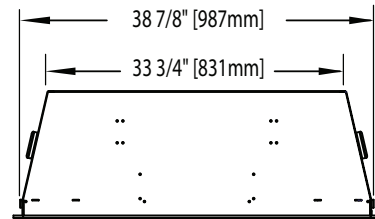
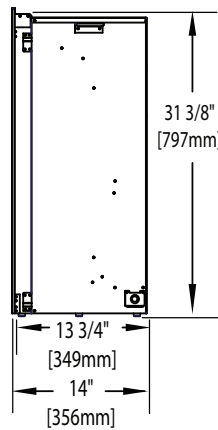
1.1 dimensions



NEFB33H Illustrée



NEFB40H Illustrée



information générales

FR

1.2 homologations

Cet appareil a été testé selon les normes CSA pour appareils électriques installés de façon permanente aux États-Unis et au Canada. Si vous avez besoin d'assistance durant l'installation, veuillez contacter votre détaillant local.

note:

Cet appareil doit être raccordé électriquement et mis à la terre selon les codes locaux ou, en l'absence de tels codes, avec le National Electrical Code ANSI/NFPA 70-la dernière édition aux États-Unis ou le Code canadien de l'électricité CSA C22.1 au Canada.

Numéro de modèle	NEFB33H	NEFB40H
Description	33" Appareils Électriques	40" Appareils Électriques
Tension	120/240V	
Puissance	1325/2650W	
Ampères	Dédié 15A circuit mis à la terre	
Largeur	34" (86,4cm)	40 3/8" (102,5cm)
Hauteur	28 3/4" (73cm)	32" (81,2cm)
Profondeur	9 3/4" (24,8cm)	14" (35,6cm)
Poids Net	59 lb (27kg)	82 lb (37kg)
Poids brut	74 lb (33kg)	101 lb (46kg)

1.3 instructions générales

- Avant de brancher votre appareil dans une prise de courant, vérifiez si le disjoncteur de la maison pour ce circuit est allumé.
- Il est possible que l'appareil dégage une légère odeur inoffensive lors de la première utilisation. Cela est une condition normale causée par le chauffage initial des éléments de l'appareil. Elle ne se reproduira plus.
- Si votre appareil n'émet pas de chaleur lorsqu'il est sollicité, consultez la section « fonctionnement » de ce manuel pour de plus amples renseignements.
- Utilisez avec un limiteur de surtension certifié CSA ou UL.
- Ne faites pas passer le cordon d'alimentation directement sous l'appareil.

Cet appareil électrique répond aux normes de construction et de sécurité du H.U.D. pour des applications dans des maisons préfabriquées lorsque installé selon ces instructions.

Comme avec la plupart des appareils électroniques, votre nouveau appareil électrique a été conçu pour fonctionner à des températures comprises entre 5 ° C (41 ° F) et 35 ° C (95 ° F). Pendant les mois froids de l'hiver, la cheminée permet d'atteindre la température ambiante avant de l'allumer.

1.4 déballage et vérification de l'appareil

Retirez délicatement l'appareil de la boîte. Avant d'installer l'appareil, enlever tous les matériaux d'emballage et essayez l'appareil pour vous assurer qu'il fonctionne correctement en branchant le cordon d'alimentation dans une prise de 120V idéalement situé, prise de terre de 15 ampères minimum.

note:

L'appareil est câblé en usine pour l'alimentation de 120 volts. Si l'opération à 240 volts est nécessaire, voir la section « branchement par câble 240V ».

1.5 information à propos de la plaque d'homologation

CERTIFIED UNDER CANADIAN AND AMERICAN NATIONAL STANDARD: CSA 22.2 NO. 46 AND UL 2021 / HOMOLOGUÉ SELON LES NORMES NATIONALES CANADIENNES ET AMÉRICAINES: CSA 22.2 NO. 46 UL 2021	
ELECTRIC FIREPLACE. SUITABLE FOR BEDROOM AND BED-SITTING ROOM INSTALLATION. SUITABLE FOR MOBILE HOME INSTALLATION.	C  US
Foyer à Électrique. Homologué pour installation dans une chambre à coucher, une salle de bain et un studio. Approprié pour installation dans une maison mobile.	
MASTER CONTRACT: 161746	CONTRAT-CADRE: 161746
<input type="checkbox"/> NEFB33H MODEL	
VOLTAGE: 120/240 V	TENSION: 120/240 V
FREQUENCY: 60Hz	FRÉQUENCE: 60Hz
POWER: 1325W/2650W	PUISSANCE: 1325W/2650W
DATE CODE:	CODE DE DATE:
DESIGNED IN NORTH AMERICA BY WOLF STEEL LTD. MADE IN CHINA	DÉSIGNÉ AMÉRIQUE DU NORD PAR WOLF STEEL LTD. FABRIQUÉ EN CHINE
WOLF STEEL LTD. 24 NAPOLEON ROAD, BARRIE, ON, L4M 0G8 CANADA	SERIAL NUMBER/NO. DE SÉRIE: NEFB33H
	W385-2088 / F

Pour l'emplacement de l'étiquette, voir la section « emplacement de l'étiquette ».

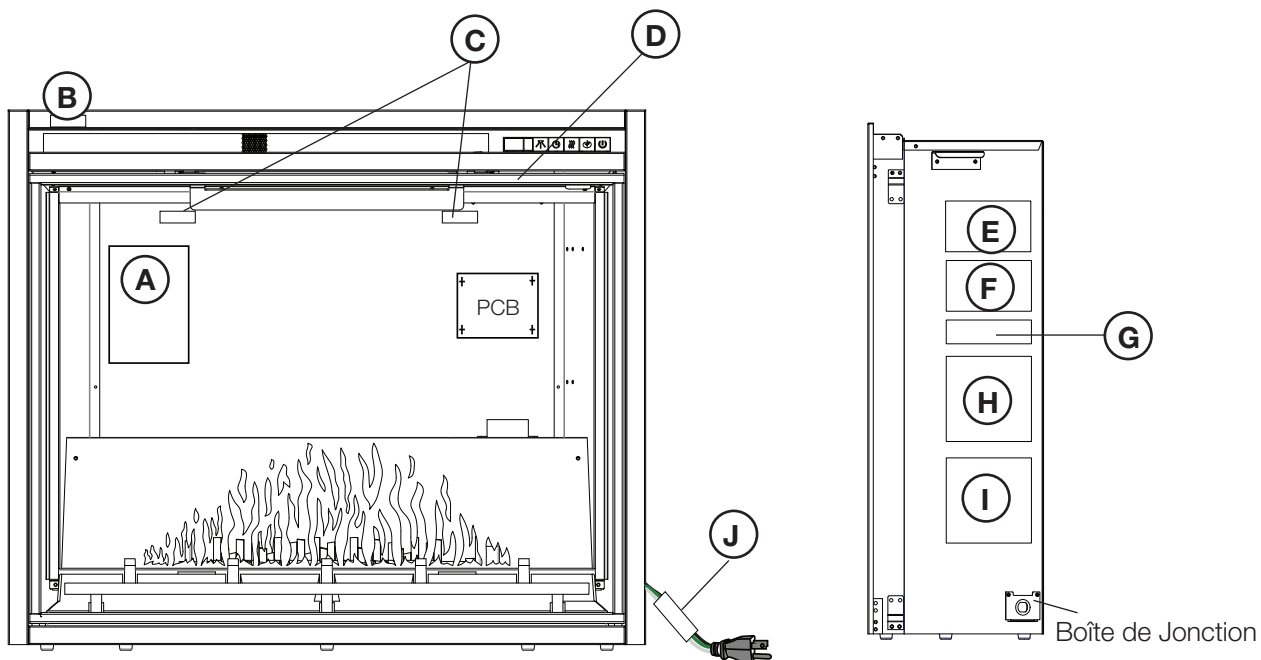
Cette illustration est à titre de référence seulement. Consultez la plaque d'homologation pour obtenir l'information précise.

note:

La plaque d'homologation doit rester avec l'appareil à tout le temps. Il ne doit pas être enlevé.

information générales

FR 1.6 emplacement de l'étiquette



Réf.	No. de Pièce	Description
A	W385-2090	L'Étiquette de Branchement par Câble
B	W385-1946	L'Étiquette « Ne Pas Couvrir »
C*	W385-1954	L'Étiquette de Loquet de Porte
D**	W385-2191	Numéro de Série (NEFB33H)
D**	W385-2192	Numéro de Série (NEFB40H)
E	W385-2088	Plaque d'Homologation (NEFB33H)
E	W385-2089	Plaque d'Homologation (NEFB40H)
F	W385-1945	L'Étiquette d'Avertissement
G	W385-1944	L'Étiquette d'Avertissement
H	W385-2083	L'Étiquette de Branchement par Câble 120V
I	W385-2084	L'Étiquette de Branchement par Câble 240V
J	W385-1943	L'Étiquette d'Avertissement

* Située sur la verre de la porte.

** Située sur le haut du cadre de la porte.

! AVERTISSEMENT

- En raison des températures élevées, l'appareil devrait être placé loin des endroits passants. Gardez tous les articles combustibles tels que les meubles, les oreillers, la literie, le papier, les vêtements, et les rideaux à une distance d'au moins 3 pieds (0,9m) de la façade de l'appareil.
- Ne placez jamais l'appareil électrique à un endroit où il risque de tomber dans une baignoire ou tout autre réservoir contenant de l'eau.
- Portez des gants de protection et des lunettes de sécurité lors de l'installation et de l'entretien.
- Afin d'éviter tout contact avec de l'isolant qui s'affaisse, l'appareil électrique ne doit pas être installé contre un coupe-vapeur ou de l'isolant à découvert. Une surchauffe localisée peut survenir et un incendie pourrait s'ensuivre.
- L'appareil électrique ne doit pas être exposé aux conditions extérieures (par ex. la pluie).

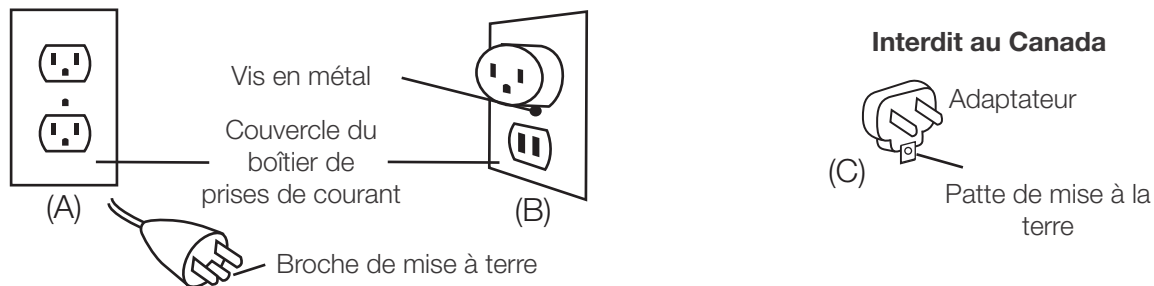
2.1 mise à la terre de l'appareil

Cet appareil doit être branché sur un circuit de 120 volts. Son cordon d'alimentation est équipé d'une fiche comme illustré en (A) ci-contre. Un adaptateur, tel qu'illustré en (C), est disponible pour brancher des fiches à trois branches avec mise à la terre dans des prises à deux fentes, tel qu'illustré en (B).

La patte verte de mise à la terre de l'adaptateur doit être branchée dans une prise de courant mise à la terre de façon permanente telle qu'un boîtier de prises de courant mis à la terre. L'adaptateur ne doit pas être utilisé si une prise de courant mise à la terre à trois fentes est disponible.

Pour débrancher l'appareil, mettez les boutons de contrôle à « OFF » puis retirez la fiche de la prise du courant.

Méthodes de mise à la terre



note:

Cet appareil doit être connecté à un circuit de 15 ampères dédié. L'utilisation d'un cordon d'extension N'EST PAS autorisée.

3.0 installation

FR

! AVERTISSEMENT

- Risque d'incendie! Le cordon d'alimentation ne doit pas être coincé contre une arrête vive. Fixez le cordon pour éviter les chutes ou les accrochages afin de réduire le risque d'incendie, de choc électrique ou de blessures corporelles. Ne passez pas le cordon d'alimentation sous un tapis. Ne recouvrez pas le cordon avec des carpettes, des tapis de couloir ou autres revêtements similaires. Évitez de placer le cordon dans un endroit passant ou à un endroit où il risque de causer des chutes.
- Risque d'incendie! Pour prévenir les risques d'incendie, ne bloquez pas les entrées d'air et les sorties d'air de quelque manière que ce soit. Ne placez pas cet appareil sur une surface molle où les ouvertures pourraient se bloquer.
- Risque d'incendie! Ne soufflez pas ou ne placez pas d'isolant contre l'appareil.
- Cet appareil électrique a été testé et homologué pour usage avec les accessoires optionnels listés dans ce manuel uniquement. L'utilisation d'accessoires optionnels qui n'ont pas été spécifiquement testés pour cet appareil électrique annulera la garantie de l'appareil et/ou présentera des risques pour la sécurité.
- Si ces instructions ne sont pas suivies à la lettre, un incendie ou une explosion pourraient s'ensuivre, causant des dommages matériels, des blessures corporelles ou des pertes de vie. N'entreposez pas et n'utilisez pas d'essence ou autres vapeurs inflammables à proximité de cet appareil ou tout autre appareil.
- Étant donné la lourdeur de cet appareil, il est recommandé que deux personnes en fassent l'installation.
- Si votre appareil est équipé avec chauffage, assurez-vous que les ouvertures de la chauffage ne peut pas, dans aucune façon, être recouverts car il peut provoquer un incendie.
- N'exécutez pas le cordon d'alimentation horizontalement, directement en dessous de l'appareil.

Choisir un emplacement convenable qui n'est pas susceptible à l'humidité et est loin des tentures, les meubles et les hauts secteurs de circulation.

note:

Suivre tous les codes électrique national et locaux.

3.1 dégagements minimaux aux matériaux combustibles

Les mesures sont prises à partir de la façade vitrée.

Dessous	0"	Haut	1" (25mm) du 2" (51mm) à la tablette
Côtés	0"	Haut	5" (127mm) au plafond
Arrière	0"		

note:

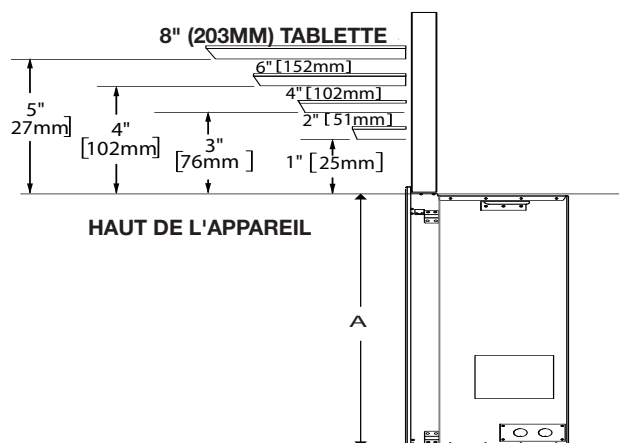
L'interrupteur est situé à l'abaisser du côté droite de l'appareil. Garantie toujours que l'accès à cette interrupteur est disponible

3.2 dégagement minimaux de la tablette

! AVERTISSEMENT

- Lorsque vous utilisez de la peinture ou du vernis comme finition pour votre tablette, assurez-vous qu'ils soient résistants à la chaleur afin de prévenir la décoloration.

	NEFB33H	NEFB40H
A	28 1/8" (71,5cm)	31 3/8" (79,7cm)



3.3 ossature

Préparez l'ossature selon les dimensions recommandées à la Figure 1. Pour une ossature en coin, respectez les dimensions recommandées dans la Figure 3.

Choisissez un endroit non sujet à l'humidité et situé à au moins 36 pouces (91,4cm) des articles combustibles tels que les rideaux, meubles, literie, papier, etc.

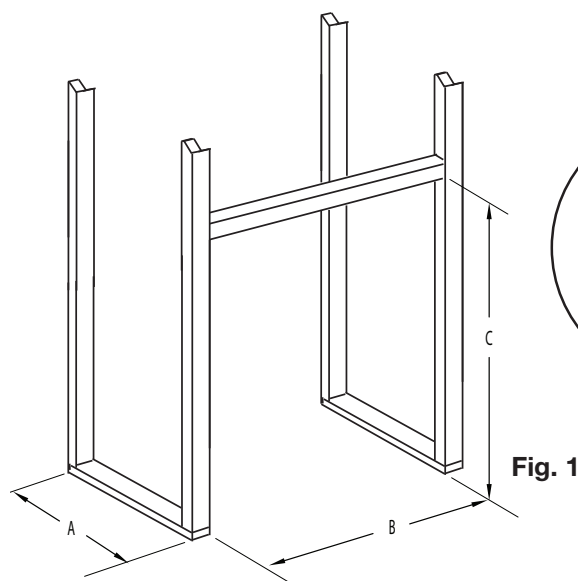


Fig. 1

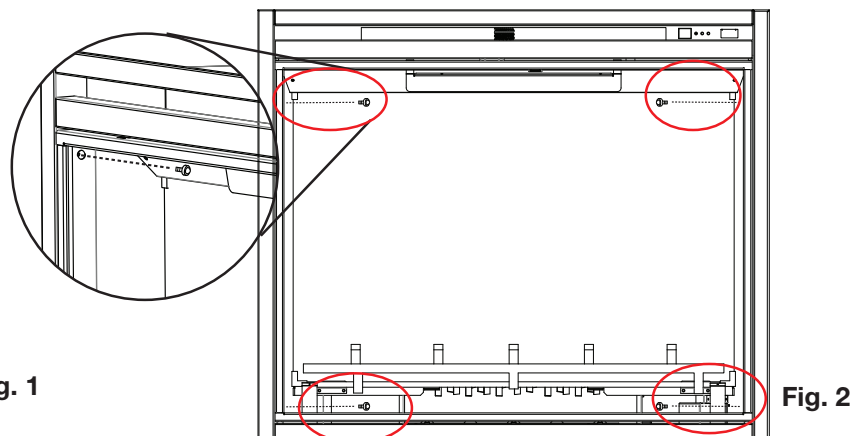


Fig. 2

	NEFB33H	NEFB40H
A	10" (254mm)	14 1/2" (36,8cm)
B	33 1/4" (84,4cm)	39 1/2" (100,3cm)
C	28 3/8" (72cm)	31 5/8" (80.1cm)
J	44 1/2" (113cm)	60 3/4" (154.3cm)
K	31 1/2" (80cm)	43" (109.2cm)
L	31 1/2" (80cm)	43" (109.2cm)

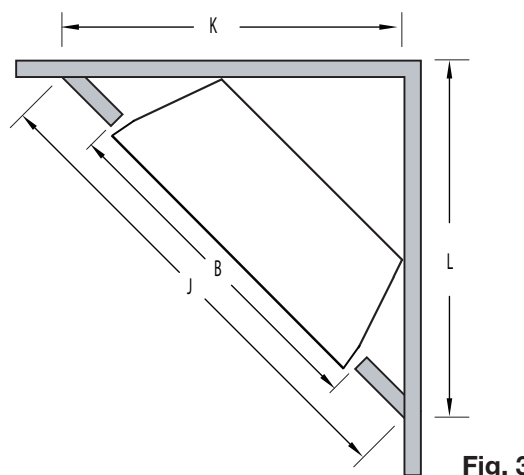


Fig. 3

- A.** L'appareil peut être installé dès que l'ouverture initiale est préparée et que le câblage a été acheminé du côté droit de l'enceinte.
- B.** La connexion électrique doit être faite avant de insérer l'appareil à sa place (voir la section « brachement par câble »). Demandez à deux personnes de soulever l'appareil et insérez dans l'ouverture de la mural.
- C.** À fixer l'appareil au mur, enlevez la porte vitrée de l'appareil (voir la section « enlèvement et installation de la porte vitrée ») et bûches, de la grille et du lit de braises (voir la section « retrait des bûches, de la grille et du lit de braises »).
- D.** Mettez l'appareil de niveau et à l'aide de 4 vis (fournies) et fixez l'appareil au goujons de mur (**Fig. 3**).
- E.** Installez les panneaux de brique (voir la section « enlèvement et installation des panneaux de brique »), bûches, de la grille et du lit de braises, et la porte vitrée à l'appareil.

note:

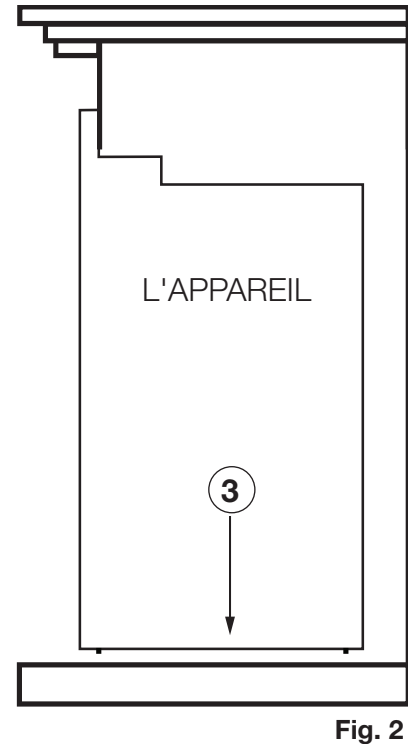
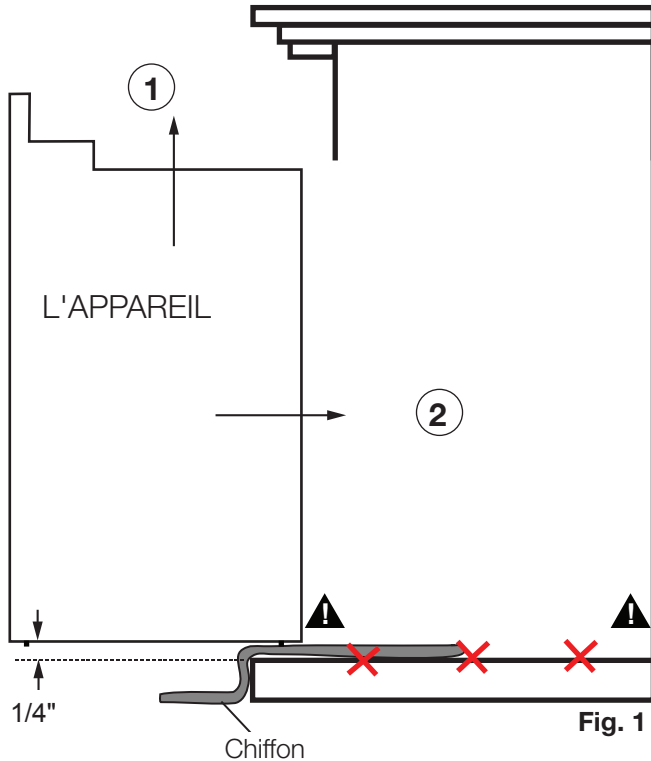
Afin d'éviter que de l'isolant ou un coupe-vapeur n'entre en contact avec l'extérieur du caisson, il est conseillé d'installer l'appareil contre des murs finis (c.-à-d. panneau de gypse), comme tout autre mur de la maison. Cela assurera que les dégagements aux matériaux combustibles sont maintenus dans l'enceinte.

installation

FR

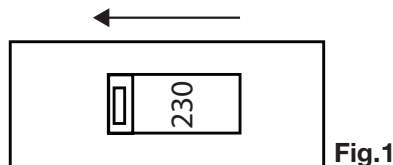
3.3.1 installation de l'appareil

- A. Placez un chiffon (non fourni) sur la tablette (**Fig. 1**) pour empêcher l'appareil de se gratter contre la surface de la tablette
- B. Demandez à deux personnes de soulever l'appareil et insérez dans l'ouverture, en laissant un espace de 1/4" (6,4 mm) entre l'appareil et la base du plancher. Ne poussez pas ou ne faites pas flisser le bas de l'appareil sur la base du sol (**Fig. 1**).
- C. Placez l'appareil vers le bas sur la plancher en place et retirez le chiffon (**Fig. 2**).



3.3.2 sélection de la tension

Cet appareil est capable d'utiliser une alimentation de 120 volts ou 240 volts en réglant le sélecteur de tension (**Fig. 1**) et les configurations de câblage dur.



note:

La mise en place de l'usine de la configuration est une opération de 120 volts avec prise de cordon.

important:

Seulement une personne qualifiée peut changer le réglage de la tension.

3.3.3 emplacement du sélecteur de la tension

! AVERTISSEMENT

- Le sélecteur de tension doit correspondre à la tension d'alimentation entrant. Le chauffage sera surchauffé si le commutateur ne correspond pas à la tension d'alimentation entrant.
- Lorsque vous changez le sélecteur de tension de 240 volts à 120 volts (ou vice versa), l'alimentation doit être coupée en premier.

Le sélecteur de tension se trouve à l'intérieur de l'appareil (**Fig. 1**).

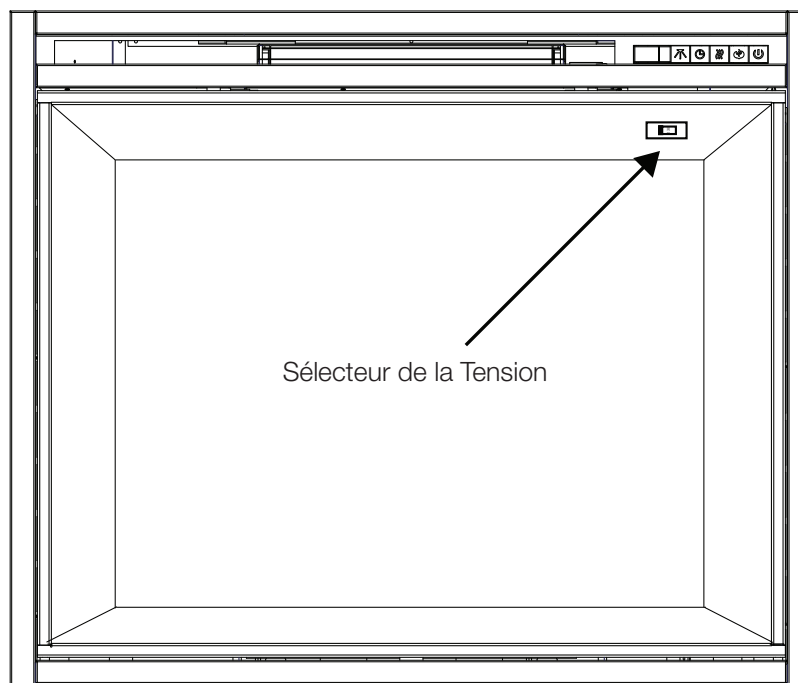


Fig.1

- Retirez la porte (voir la section « enlèvement de la porte »).
- Retirez la couverture métallique du sélecteur de tension.
- Changez la position du sélecteur de tension.

note:

Le réglage d'usine par défaut est de 120 volts (115 imprimés sur l'interrupteur). Si vous utilisez l'alimentation de 120 volts, vous ne devez pas faire les changements.

Lors du câblage de l'appareil pour 240 volts le sélecteur de tension doit être en position de 230 volts sur l'interrupteur.

3.3.4 montage de fiche de cordon de 120V

Le réglage par défaut d'usine est la configuration de l'installation de la fiche du cordon de 120 volts. Il suffit de brancher l'appareil à une boîte de sortie mise à terre de 120V et 15 Amp.

note:

Doit être connecté à un circuit dédié de 15 ampères. L'utilisation d'une rallonge n'est pas autorisée.

installation

FR 3.3.5 branchement par câble 120V

! AVERTISSEMENT

- Coupez l'alimentation électrique à l'appareil et laissez-le refroidir avant d'effectuer un entretien. Seul un technicien de service qualifié peut effectuer l'entretien ou la réparation de cet appareil électrique.

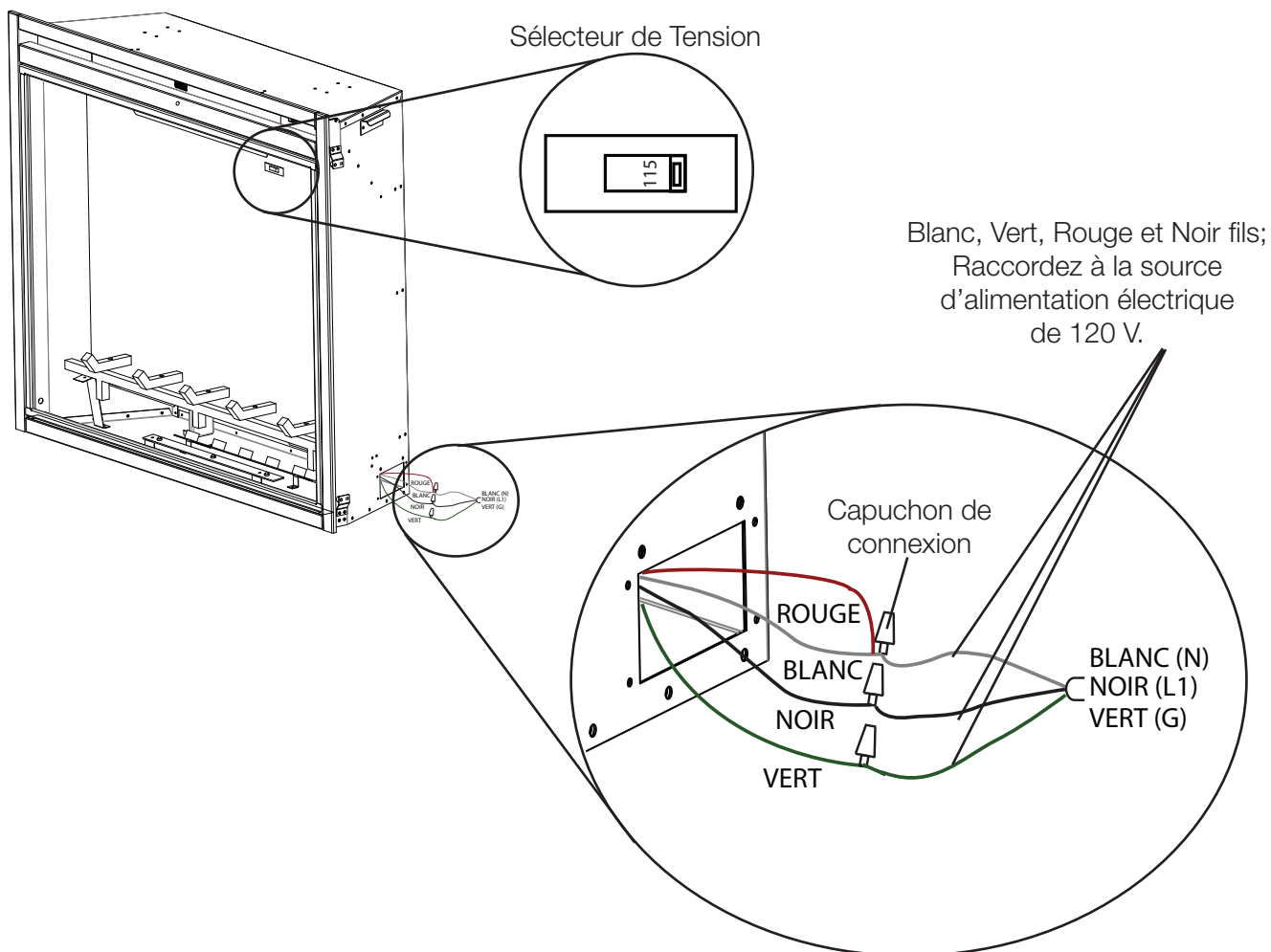
BRANCHEMENT PAR CÂBLE 120V

Si c'est nécessaire de faire un branchement par câble, un électricien qualifié peut retirer le cordon d'alimentation de l'appareil et brancher ce dernier directement au câblage de la maison. L'alimentation de disjoncteurs et fils doit être classé pour 120V min. 15 amps.

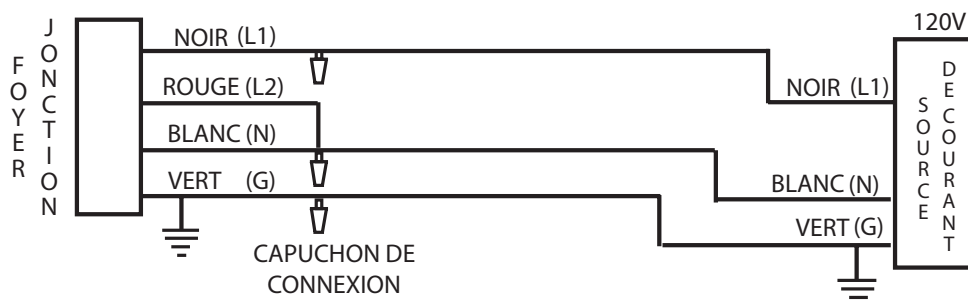
Si vous effectuez un branchement par câble, cet appareil doit être raccordé électriquement et mis à la terre conformément aux codes locaux. En l'absence de tels codes, utilisez la version courante du Code canadien de l'électricité CSA C22.1 au Canada ou du National Electrical Code ANSI/NFPA 70 aux États-Unis.

note:

Il y a 4 fils pour la connexion du appareil: le blanc (neutre), le noir (alimentation L1), le rouge (L2) et le vert (mise à la terre) qui se connectent à l'alimentation 120 V (panneau de disjoncteurs).



- A.** Retirez la vis de fixation de la plaque de recouvrement, située sur le côté droit de l'appareil.
- B.** Ajoutez un connecteur de boîtier électrique et faites passer les fils d'alimentation à travers le trou perforé de 7/8" (22 mm).
- C.** Séparez l'un de l'autre les fils noir, blanc et vert munis de capuchons de connexion.
- D.** Retirez les capuchons de connexion et raccordez le fil noir (alimentation L1) au fil noir (alimentation L1) du circuit d'alimentation. Raccordez le fil blanc et fil rouge (L2) à partir de l'appareil du fil blanc (N) circuit d'alimentation. Raccordez le fil vert au fil de mise à la terre.
- E.** Remplacez la plaque de recouvrement et fixez-la.
- F.** Localisez le sélecteur de tension à l'intérieur de l'appareil et enlever les 2 vis sur le couvercle métallique.
- G.** Assurez-vous que le sélecteur de tension soit positionné à 120 volts (115 est imprimé sur l'interrupteur). Réinstallez la plaque de recouvrement.


note:

Pour vous aider avec le déplacement de l'appareil, laissez une longueur de fils suffisante pour que l'appareil puisse être retiré de l'enceinte sans le débrancher du circuit d'alimentation. Si la maintenance, fermer son alimentation électrique.

installation

FR 3.3.6 branchement par câble 240V

! AVERTISSEMENT

- Coupez l'alimentation électrique à l'appareil et laissez-le refroidir avant d'effectuer un entretien. Seul un technicien de service qualifié peut effectuer l'entretien ou la réparation de cet appareil électrique.

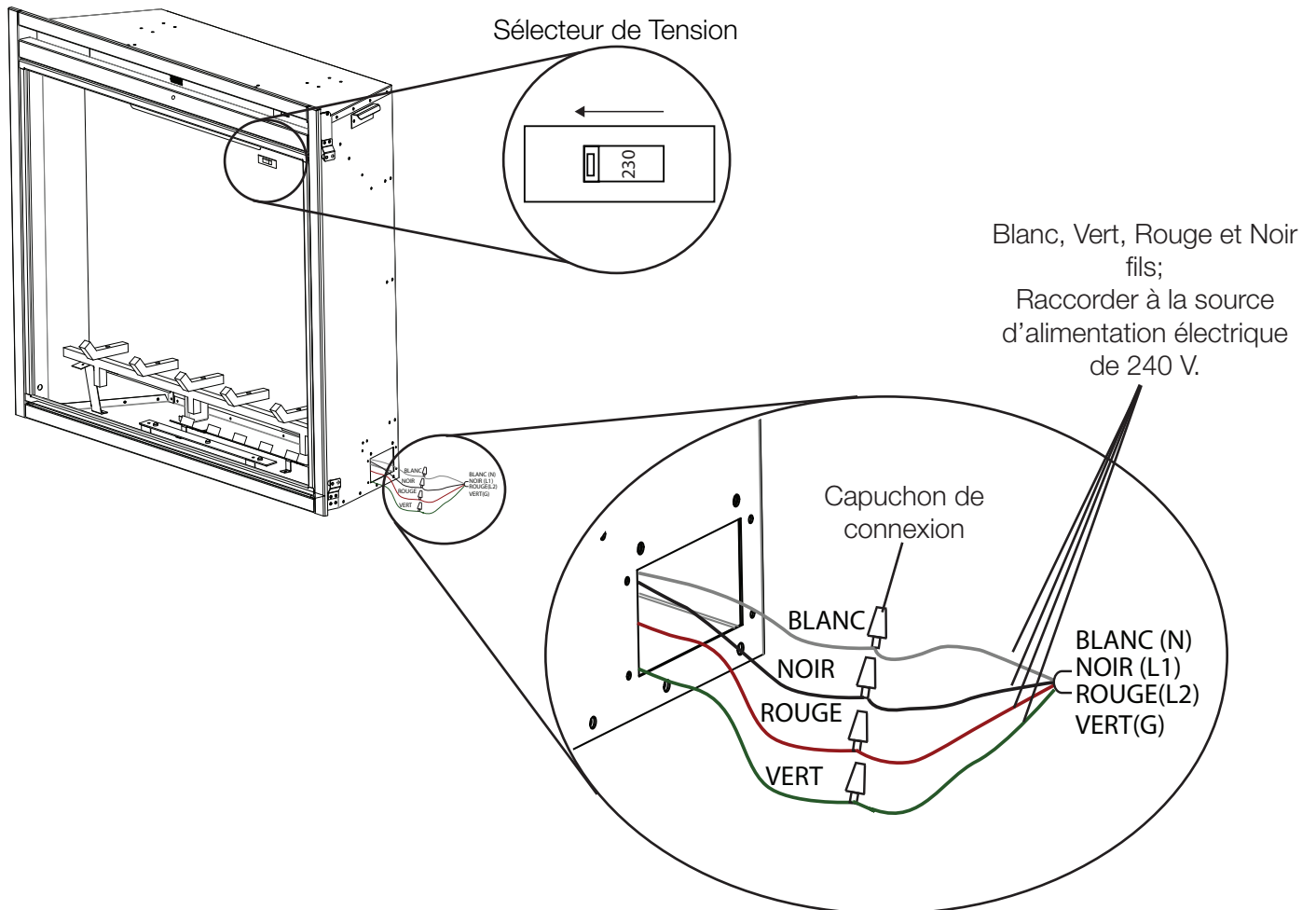
BRANCHEMENT PAR CÂBLE 240V

Si c'est nécessaire de faire un branchement par câble, un électricien qualifié peut retirer le cordon d'alimentation de l'appareil et brancher ce dernier directement au câblage de la maison. L'alimentation de disjoncteurs bipolaire et fils doit être classé pour 240V min. 15 amps, maximum 20 amps.

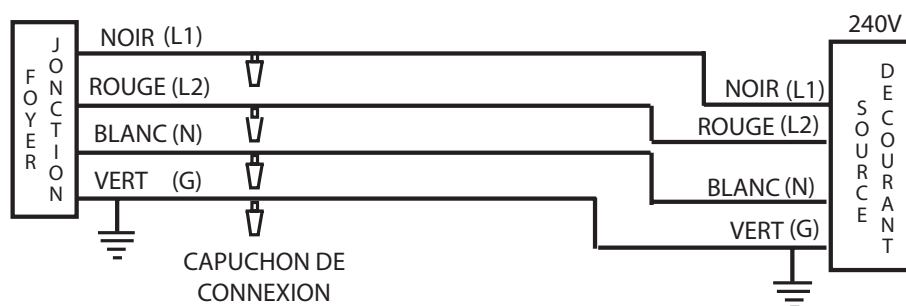
Si vous effectuez un branchement par câble, cet appareil doit être raccordé électriquement et mis à la terre conformément aux codes locaux. En l'absence de tels codes, utilisez la version courante du Code canadien de l'électricité CSA C22.1 au Canada ou du National Electrical Code ANSI/NFPA 70 aux États-Unis.

note:

Il y a 4 fils pour la connexion du appareil: le blanc (neutre), le noir (alimentation L1) et le rouge (L2) qui se connectent à l'alimentation 240 V (panneau de disjoncteurs bipolaire).



- A. Retirez la vis de fixation de la plaque de recouvrement, située sur le côté droit de l'appareil.
- B. Ajoutez un connecteur de boîtier électrique et faites passer les fils d'alimentation à travers le trou perforé de 7/8" (22 mm).
- C. Séparez l'un de l'autre les fils noir, blanc et vert munis de capuchons de connexion.
- D. Retirez les capuchons de connexion et raccordez le fil noir (alimentation L1) au fil noir (alimentation L1) du circuit d'alimentation. Raccordez le fil rouge (L2) de l'appareil au fil rouge (L2) du circuit d'alimentation. Raccordez le fil blanc de l'appareil au fil blanc (neutre) du circuit d'alimentation. Raccordez le fil vert au fil de mise à la terre.
- E. Remplacez la plaque de recouvrement et fixez-la.
- F. Localisez le sélecteur de tension à l'intérieur de l'appareil et enlever les 2 vis sur le couvercle métallique.
- G. Assurez-vous que le sélecteur de tension soit positionné à 240 volts (230 est imprimé sur l'interrupteur). Réinstallez la plaque de recouvrement.


note:

Pour vous aider avec le déplacement de l'appareil, laissez une longueur de fils suffisante pour que l'appareil puisse être retiré de l'enceinte sans le débrancher du circuit d'alimentation. Si la maintenance, fermer son alimentation électrique.

4.0 instructions de fonctionnement

FR

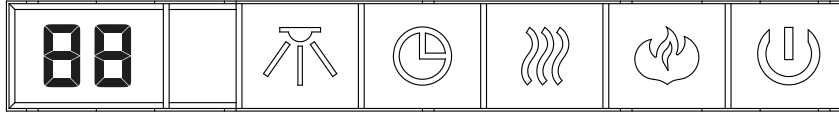
L'appareil est prêt à fonctionner dès qu'il est correctement branché dans une prise de courant mise à la terre 120V ou 240V.

note:

Assurez-vous que les disjoncteurs de la maison pour ce circuit soient allumés.

4.1 fonctionnement du panneau de contrôle

Le panneau de commande est situé sur la partie avant supérieure de l'appareil.



ALIMENTATION		Met l'appareil ON/OFF
CONTRÔLE DE LA FLAMME ET DE LA LUMIÈRE DE BRAISES		Contrôle la luminosité de la flamme et la lumière de braises. 5 Réglages: Flamme et braise éteints (FO), braide et bûche allumé mais la flamme éteinte (LL), petit flamme et braise (F1), moyenne flamme et braise (F2), la plus brillante flamme et braise (F3).
CONTRÔLE DE LA CHAUFFERETTE		Met la chaufferette et la soufflerie ON/OFF. 3 Réglages: Chaufferette et soufflerie éteints (HO), soufflerie allumés (BL), chaufferette et soufflerie allumés (H1).
MINUTERIE		La minuterie peut être programmé pour faire fonctionner l'appareil pour des périodes spécifiques de temps (30 minutes minimum à 6 heures maximum).
LUMIÈRE DÉCORATIVE		Contrôle les paramètres de la lumière décorative. 4 Réglages: Lumière décorative éteinte (DO), couleur blanche (D1), cycle automatique de Blanc/Orange/Bleu /Orange et Bleu/ Blanc et Orange/ Blanc et Bleu (D2), et verrouiller la couleur désirée (D3).
INTERRUPTEUR F° / C°	Appuyez pendant 5 secondes	Pour changer le format de la température en degrés, Fahrenheit or Celsius, appuyez et maintenez enfoncé le bouton de la flamme pendant 5 secondes.
VERROUILLAGE DE LA CHAUFFERETTE	Appuyez pendant 5 secondes	Le bouton de chauffage peut être verrouillé ou déverrouillé en maintenant le bouton de chauffage pendant 5 secondes.
CONTRÔLE DE LA TEMPÉRATURE	Appuyez pendant 5 secondes	Appuyez et maintenez enfoncée le bouton de Minuterie pendant 5 secondes. Cela va changer le bouton en Contrôle de Température, ou vice versa. 7 Réglages: (61°F, 64°F, 70°F, 75°F, 81°F, 85°F et OFF)




4.2 utilisation de la télécommande

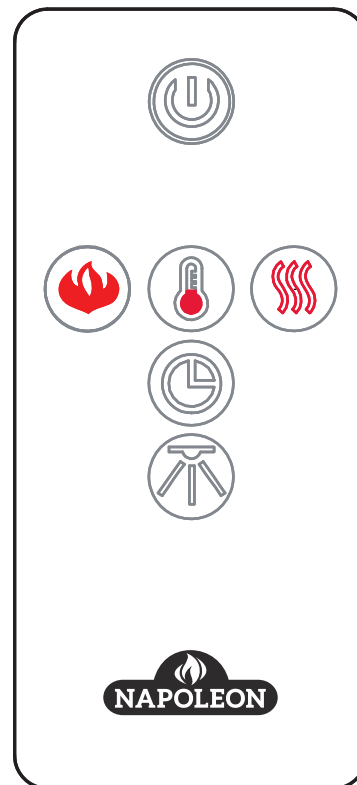
! AVERTISSEMENT

- Coupez l'alimentation électrique à l'appareil et laissez-le refroidir avant d'effectuer un entretien. Seul un technicien de service qualifié peut effectuer l'entretien ou la réparation de cet appareil électrique.

note:

Lors de l'utilisation de la télécommande, vous devez la pointer vers le centre sur le devant de l'appareil.

- A.** Le bouton d'alimentation peut être utilisé pour allumer ou éteindre l'appareil. Appuyez sur ce bouton  pour mettre l'appareil sous tension. Si vous appuyez sur le bouton d'alimentation de nouveau, cela va éteindre l'appareil. La braise et la bûche fanent au bout de 4 secondes après avoir éteint l'appareil.
- B.** Pour régler la hauteur de la flamme et la lumière de la bûche de braise, appuyez sur le bouton de flammes . Il y a une lumière de la bûche de braise, 3 niveaux de luminosité de la flamme entre lesquelles vous pouvez faire défiler ainsi qu'un réglage d'arrêt (LL, F1, F2, F3 et F0). F3 donne la plus brillante flamme et LL et uniquement pour la lumière de la bûche de braise.
- C.** Pour utiliser la fonction thermostat, appuyez sur le bouton de thermostat , Il y a 7 réglages (61°F, 64°F, 70°F, 75°F, 81°F, 85°F et off). Pour accéder au format de température désiré, maintenez enfoncé le bouton de thermostat. L'affichage basculera de Celsius à Fahrenheit, ou inversement. Par défaut, la température s'affiche en Fahrenheit.
- D.** Pour actionner la chaufferette et la soufflerie, appuyez sur le bouton chaufferette  et la soufflerie va s'allumer. Appuyez encore une fois le bouton chaufferette pour s'allumer la chaufferette et la soufflerie. Appuyez encore une fois pour éteindre la chaufferette et la soufflerie.
- E.** Pour activer la minuterie, appuyez sur le bouton de minuterie  pour choisir la période de temps désiré, continuez à appuyer sur ce bouton pour changer entre les réglages, il y en a 8 réglages (30mins, 1h, 2h, 3h, 4h, 5h, 6h et off). La cheminée se éteint au moment de réglage.
- F.** Pour activer la lumière de décorative, appuyez sur le bouton de lumière . Il y a 3 niveaux offerts pour faire défiler les différents couleurs ainsi qu'un réglage d'arrêt (d1, d2, d3 et d0). D1 vous donne de la couleur blanche, d2 vous donne un cycle automatique de couleur du Blanc /Orange /Bleu /Orange et Bleu, Blanc et Orange /Blanc et Bleu, et d3 pour verrouiller la couleur désirée. Il faudra 8,5 secondes pour passer d'une couleur à l'autre lorsque le réglage d2 est sélectionné et le réglage d3 verrouillera à une couleur désirée.
- G.** Pour éteindre l'appareil, appuyez une fois sur le bouton d'alimentation sur le télécommande, ou placez l'interrupteur principal en position d'arrêt sur le panneau de contrôle de l'appareil.



note:

Pour que la télécommande fonctionne bien, elle doit toujours être à moins de 6 mètres ou 19 pieds de l'appareil.

5.0 finitions

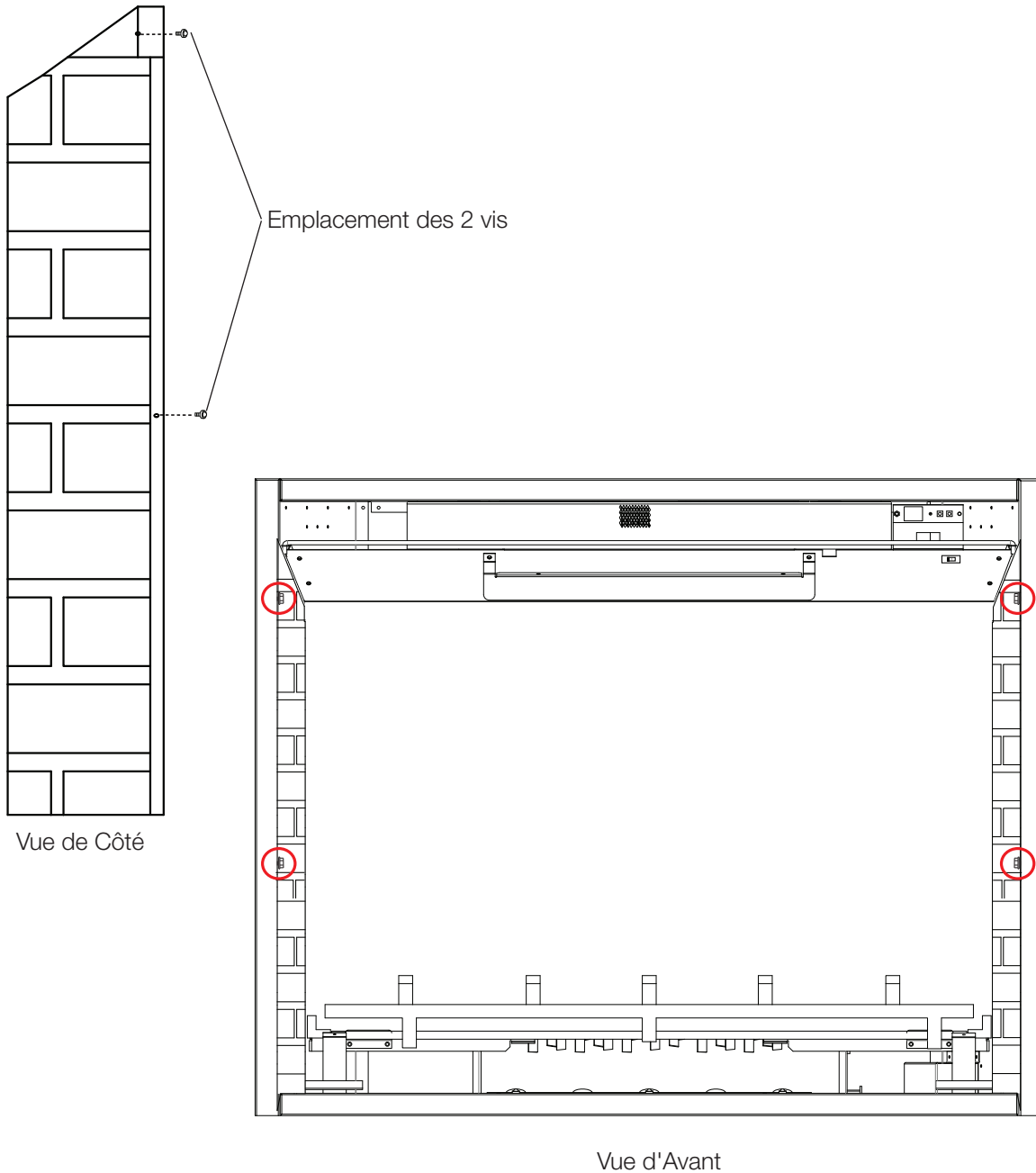
FR

! AVERTISSEMENT

- Le raccordement par câble doit être complété avant la finition afin d'éviter toute reconstructions.
- Les entrées d'air et les sorties d'air de l'appareil ne doivent jamais être couvertes.

5.1 enlèvement et installation des panneaux de brique

- A. Glissez les panneaux en place et fixez avec 2 vis (fournies).
- B. Assurez-vous que les panneaux de briques sont correctement positionnés, ne sont pas inclinés ou en train de dépasser l'appareil.
- C. Pour enlever les panneaux, enlevez les 2 vis.



5.2 installation de la porte vitrée

! AVERTISSEMENT

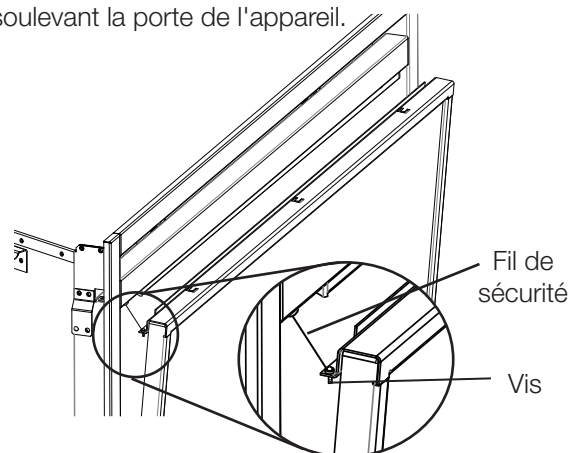
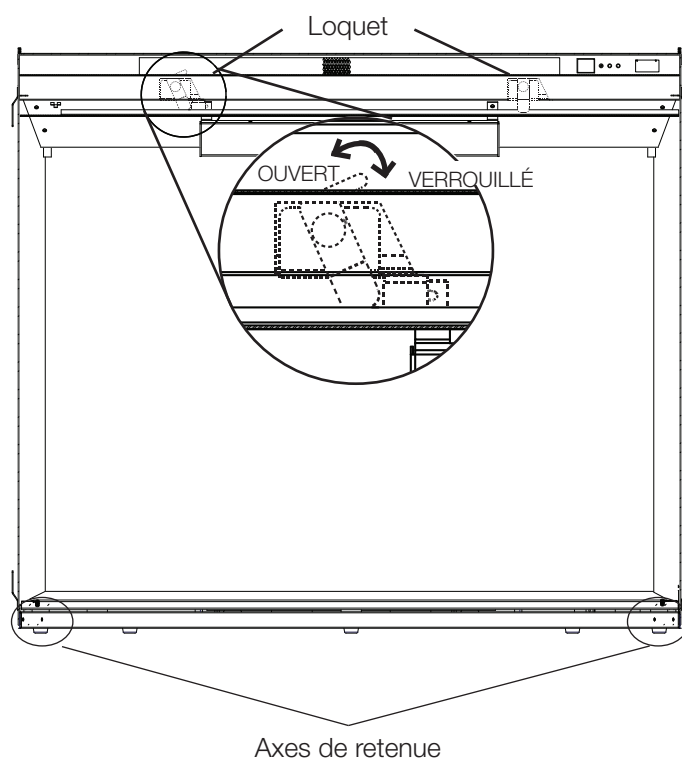
- La vitre peut être chaude. Ne touchez pas la vitre jusqu'à ce qu'elle ait refroidi.
- Si équipé avec les loquets de porte qui font partie d'un dispositif de sécurité, ils doivent être adéquatement verrouillés. Ne faites pas fonctionner l'appareil lorsque les loquets sont déverrouillés.
- Les matériaux de façade et de finition ne doivent pas nuire à la circulation de l'air dans les ouvertures d'air et les persiennes, ni au fonctionnement des persiennes ou des portes ni l'accès pour l'entretien. Respectez tous les dégagements aux matériaux combustibles
- Avant d'enlever la porte, éteignez l'appareil et attendez que ce dernier soit froid au toucher. Les portes sont lourdes et fragiles; manipulez avec soin.

- A.** Pour installer la porte vitrée, il suffit de placer la porte sur les axes de retenue du cadre inférieur de l'appareil. Installez la vis du fil de sécurité, appuyez légèrement sur la porte vitrée pour l'insérer dans le cadre et refermez les 2 loquets supérieurs.
- B.** Pour retirer la porte vitrée, placez une main sur la porte vitrée tout en enlevant la vis du fil de sécurité. Laissez la porte pivoter légèrement, tenez les côtés avec les 2 mains tout en soulevant la porte de l'appareil.

note:

Poussant sur la porte, va faire basculer verrouillage facile.

- C.** Placez une main sur la porte vitrée tout en retirant la vis du fil de sécurité. Laissez la porte pivoter légèrement, tenez les côtés des deux mains tout en soulevant la porte de l'appareil.

**note:**

Ce qui précède est illustré de façon à voir les loquets.

6.0 entretien

FR

! AVERTISSEMENT

- En préparation pour l'entretien, débranchez toujours l'alimentation électrique et laissez l'appareil refroidir avant de nettoyer, de procéder à son entretien ou de le relocaliser. Tournez les contrôles à « off » et retirez la fiche de la prise de courant ou fermez le disjoncteur du circuit de votre appareil.
- Ne pas installer d'ampoules de rechange qui excèdent la puissance (watts) maximale spécifiée.

! INFORMATION DE SÉCURITÉ IMPORTANTES

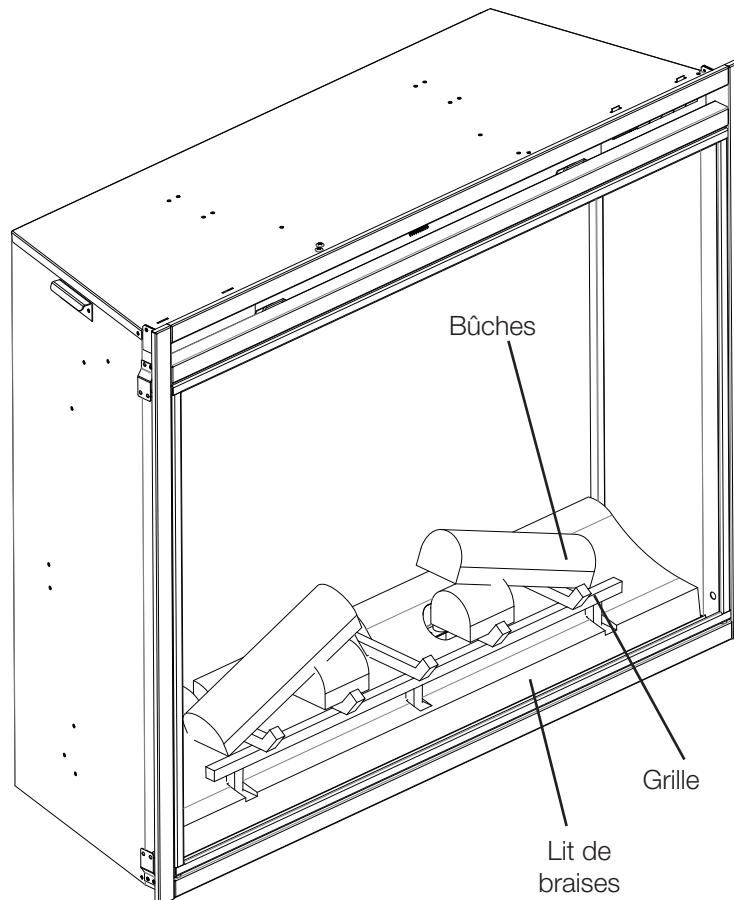
- Propriétaire: lire le présent avant d'essayer service ce appareil. Pour votre sécurité, toujours respecter tous les avertissements et suivre les consignes de sécurité compris dans le présent manuel afin de prévenir les blessures ou les dommages matériels.

note:

Seul un technicien de service qualifié peut effectuer l'entretien ou la réparation de cet appareil électrique.

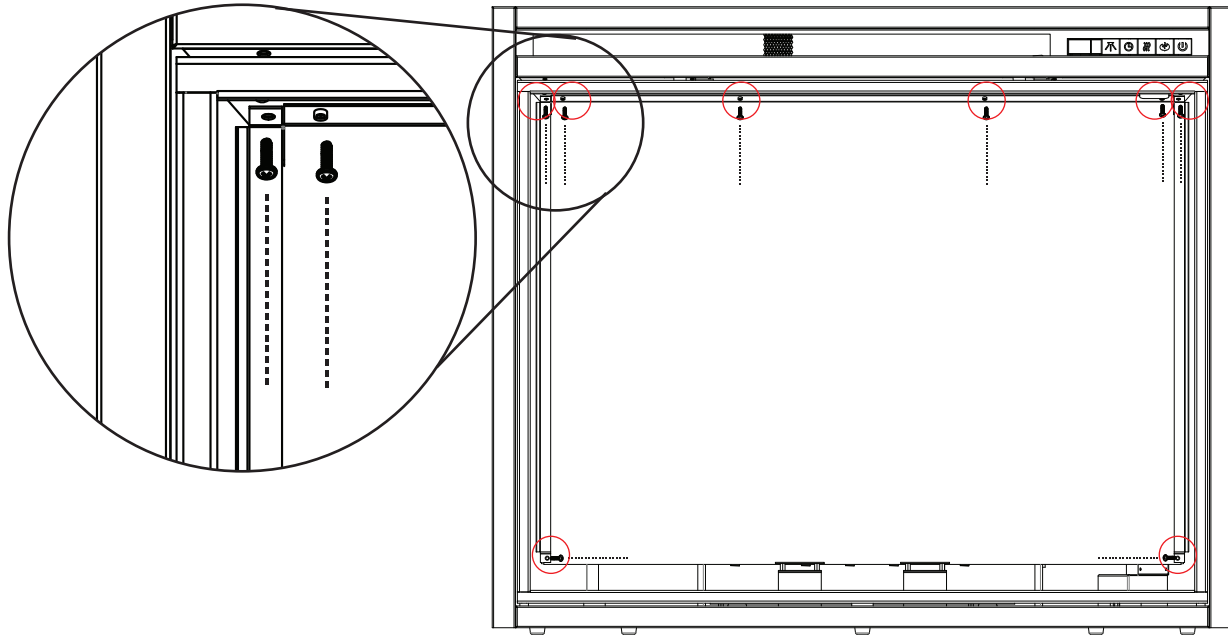
6.1 retrait des bûches, de la grille et du lit de braises

- A. Coupez les attaches rapides sécurisant l'ensemble de bûches à l'appareil et retirez le carton qui retient les bûches, la grille et le lit de braises à l'appareil.
- B. Pincez l'arrière de l'ensemble pour le dégager des verrous arrière.



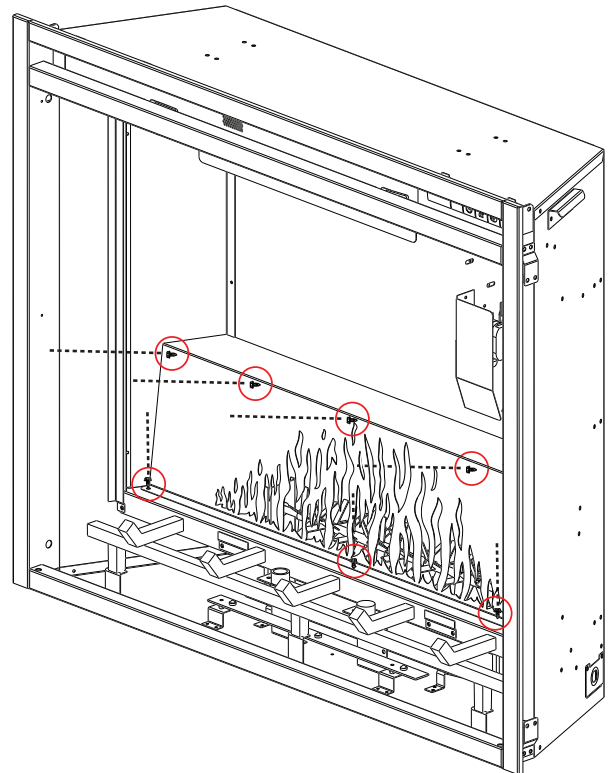
6.2 retrait du panneau du flammes

- A. Retirez les 4 vis de fixation du support supérieur.
- B. Retirez les 2 vis de fixation du support de gauche. Répétez l'opération pour le côté droit.
- C. Soulevez et retirez le panneau.



6.3 retrait du bord de flammes

- A. Retirez les 3 vis sur le fond et 4 vis sur le dessus du bord de flamme.
- B. Soulevez le bord de flammes hors de l'appareil.

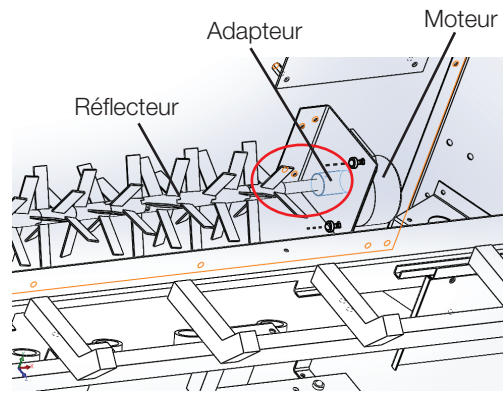


entretien

FR

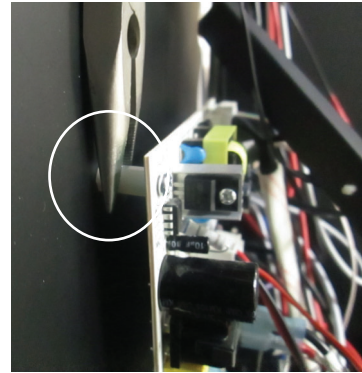
6.4 remplacement du moteur

- Pour accéder aux 2 vis de fixation du moteur, retirez le réflecteur. Tirez sur la réflecteur à partir l'adaptateur pour libérer le réflecteur, puis tirez l'adaptateur à partir moteur.
- Débranchez le fil de moteur à connexion rapide du harnais de fils.
- Retirez les 2 vis de fixation du moteur et retirez le moteur de l'appareil.



6.5 remplacement de panneau de contrôle

- Pour éviter de briser les filets des bouchons en plastique à l'arrière du panneau de contrôle, tenez les bouchons avec une pince tout en enlevant chacune des 4 vis.
- Débranchez tous les fils connectés au panneau de contrôle.



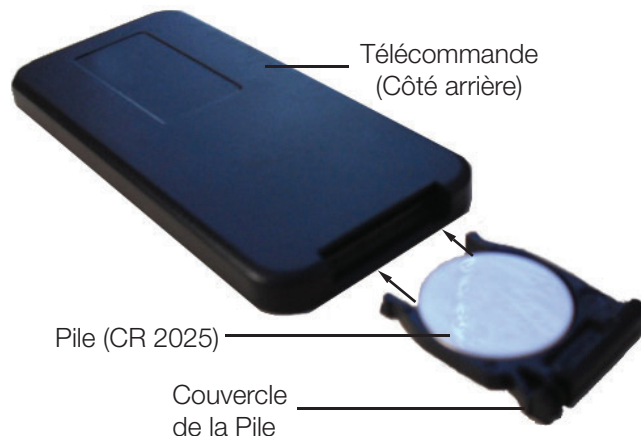
6.6 installation de la pile de la télécommande

! AVERTISSEMENT

- Cette télécommande nécessite des piles bouton qui sont dangereuses pour les jeunes enfants.
- AVERTISSEMENT - GARDEZ DES PILES DE LA PORTÉE DES ENFANTS!**
- L'ingestion peut entraîner des blessures graves ou la mort dans moins de 2 heures, en raison des brûlures chimiques et de la perforation potentielle de l'oesophage.
- Si vous pensez que votre enfant a avalé ou inséré une pile bouton, recherchez immédiatement une assistance médicale urgente.
- Examinez les appareils et assurez-vous que le compartiment de la pile est bien fixé (que la vis ou autre attache mécanique est serrée). N'utilisez pas si le compartiment n'est pas sécurisé.
- Éliminez les piles bouton usagées immédiatement et en toute sécurité. Les piles plate peuvent encore être dangereuses.
- Enseignez aux autres les risques associés aux piles bouton et la façon de garder leurs enfants en sécurité.



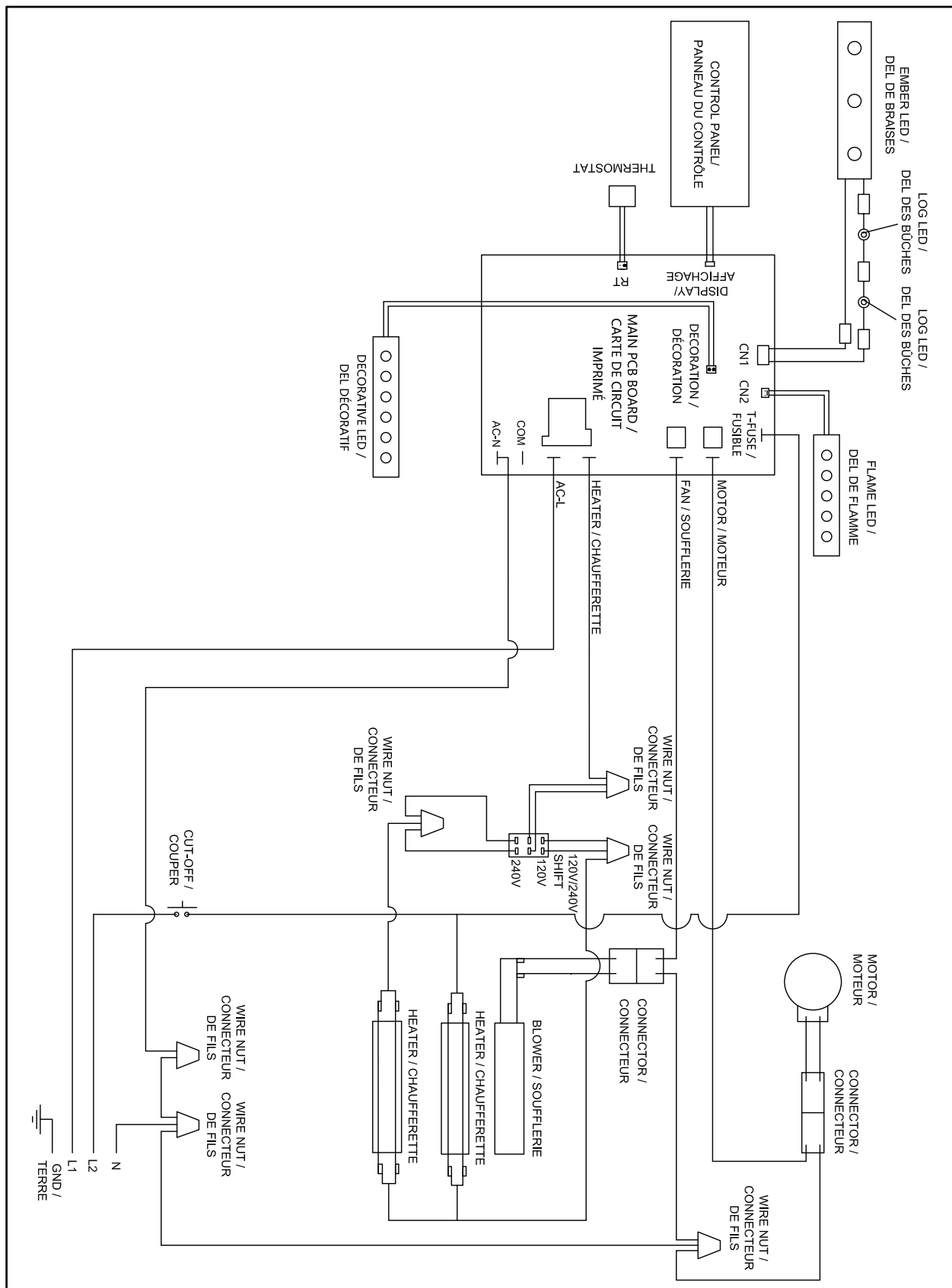
- Pour remplacer la pile existante, retirez le couvercle de la batterie.
- Pour retirer le couvercle de la pile, tournez à télécommande avec le côté arrière vers le haut. Glissez le couvercle des piles de la télécommande.
- Insérez une pile de type CR2025 dans le support puis réinsérez ce dernier dans la télécommande, comme illustré.
- Le couvercle de la pile est bien fixé lorsque vous entendez un « clic ».



Les piles doivent être mises au rebut conformément aux lois et à la réglementation locales. Certaines piles peuvent être recyclées dans votre centre de recyclage local. Renseignez-vous auprès de votre municipalité au sujet des directives de recyclage.

⚠ AVERTISSEMENT

- Coupez l'alimentation électrique à l'appareil et laissez-le refroidir avant d'effectuer un entretien. Seul un technicien de service qualifié peut effectuer l'entretien ou la réparation de cet appareil électrique.



8.0 pièces de rechanges

FR

AVERTISSEMENT

- Omettre de positionner les pièces conformément à ce manuel ou d'utiliser uniquement des pièces spécifiquement approuvées pour cet appareil peut causer des dommages matériels ou des blessures corporelles.

Contactez votre détaillant pour les questions concernant les prix et la disponibilité des pièces de remplacement. Normalement, toutes les pièces peuvent être commandées chez votre détaillant autorisé.

Pour un remplacement de pièce sous garantie, une photocopie de la facture originale sera requise afin de pouvoir honorer la demande.

Lorsque vous commandez des pièces, donnez toujours l'information suivante:

- Modèle et numéro de série de l'appareil
- Date d'installation de l'appareil
- Numéro de la pièce
- Description de la pièce
- Fini

Pièces, numéro des pièces et s'il soit disponible peut changer sans préavis.

Parties identifiées comme garnie seront livrés dans 2 à 5 jours pour la plupart des destinations de livraison.

Pièces non identifiées que stockés seront livrés dans un délai de 2 à 4 semaines pour la plupart des cas.

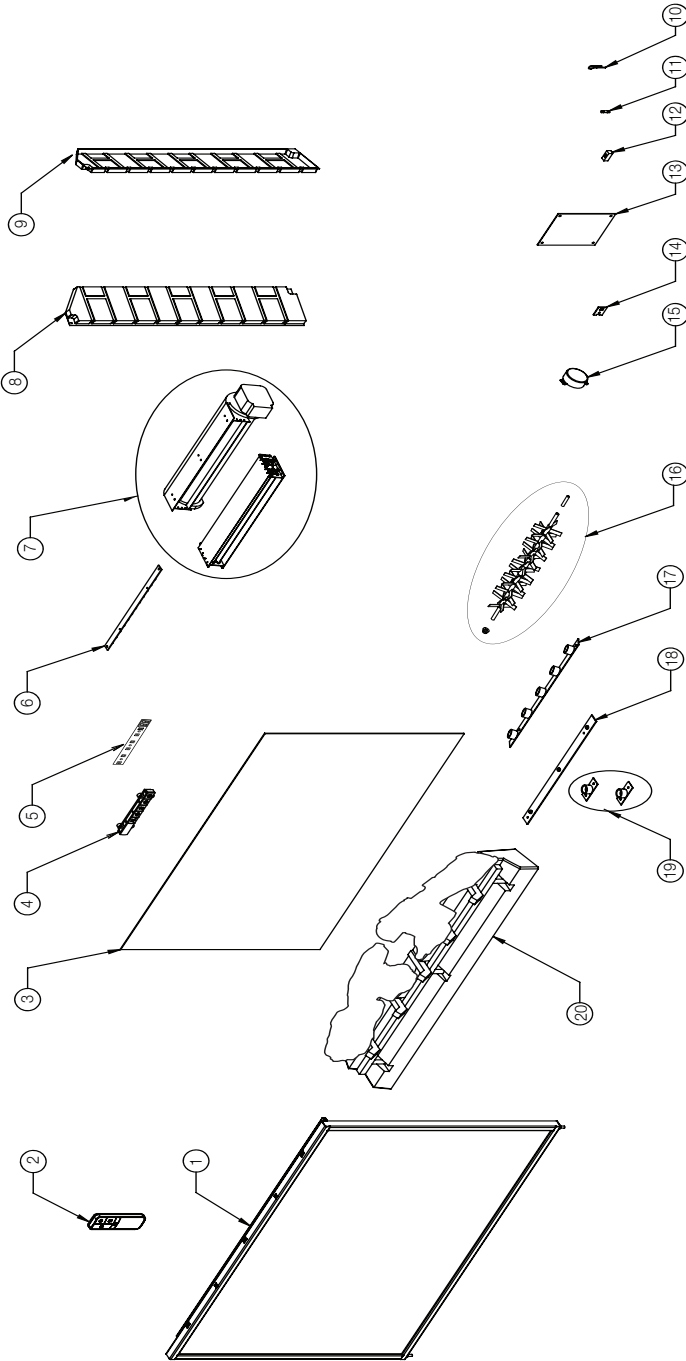
Pièces identifiées comme « SO » sont commande spéciale et peuvent prendre jusqu'à 90 jours pour la livraison.

Pour le service après-vente, veuillez composer le 1-866-820-8686.

note:

Utilisez de prudence lorsque vous enlevez et jetez des débris de verre ou des composants endommagés. Assurez-vous d'aspirer tous les débris de verre à l'intérieur de l'appareil avant de le faire fonctionner.

8.1 vue d'ensemble NEFB33H



Ces articles peuvent différer de ceux illustrés.

Réf.	No. de Pièce	Description	En Stock
1	W010-3142-SER	Assemblage de porte	Oui
2	G660-0005-SER	Télécommande	Oui
3	W497-0011-SER	Panneau de flamme	Oui
4	G010-0080-SER	Panneau de contrôle	Oui
5	G190-0006-SER	Planche de panneau de contrôle	Oui
6	G405-0007-SER	Lumière décorative DEL	Oui
7	W010-3887-SER	Assemblage de chauffage et ventilateur	Oui
8	W475-0952-SER	Panneau brique de côté gauche	Oui
9	W475-0953-SER	Panneau brique de côté droite	Oui
10	G750-0034-SER	Assemblage de fil	

Réf.	No. de Pièce	Description	En Stock
11	W285-0002-SER	Fusible de 2 ampères	Oui
12	W660-0177-SER	Interrupteur 120/240V	
13	W190-0089-SER	Planche PCB	Oui
14	G190-0007-SER	Thermostat	Oui
15	W435-0059-SER	Moteur pas à pas	Oui
16	W010-3145-SER	Réflecteur (avec bague et adaptateur)	Oui
17	G405-0013-SER	Bande de flamme DEL	
18	W405-0014-SER	Bande de braise DEL	Oui
19	G405-0014-SER	Bûche DEL	
20	W010-3317-SER	Assemblage de bûche	SO

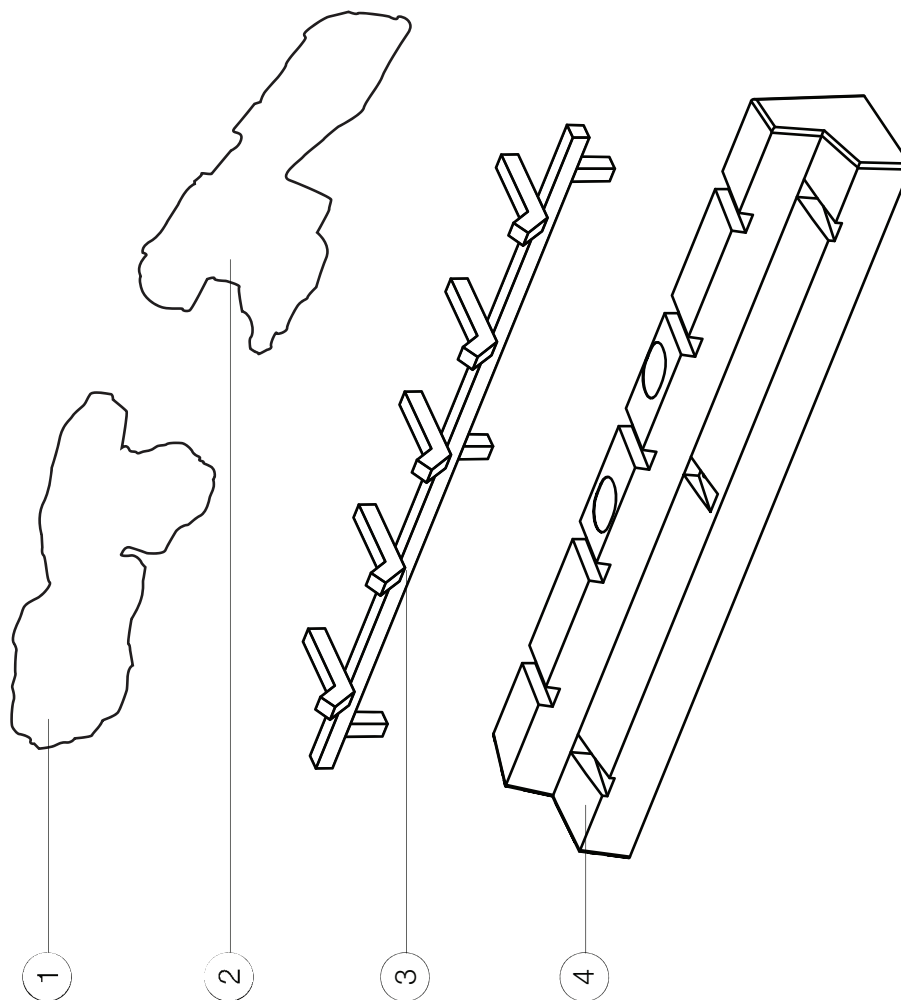
pièces de rechanges

FR

note:

L'ensemble de bûches (W010-3317-SER) doit être commandée pour remplacer une pièce.

8.2 l'ensemble des bûches NEFB33H (W010-3317-SER)



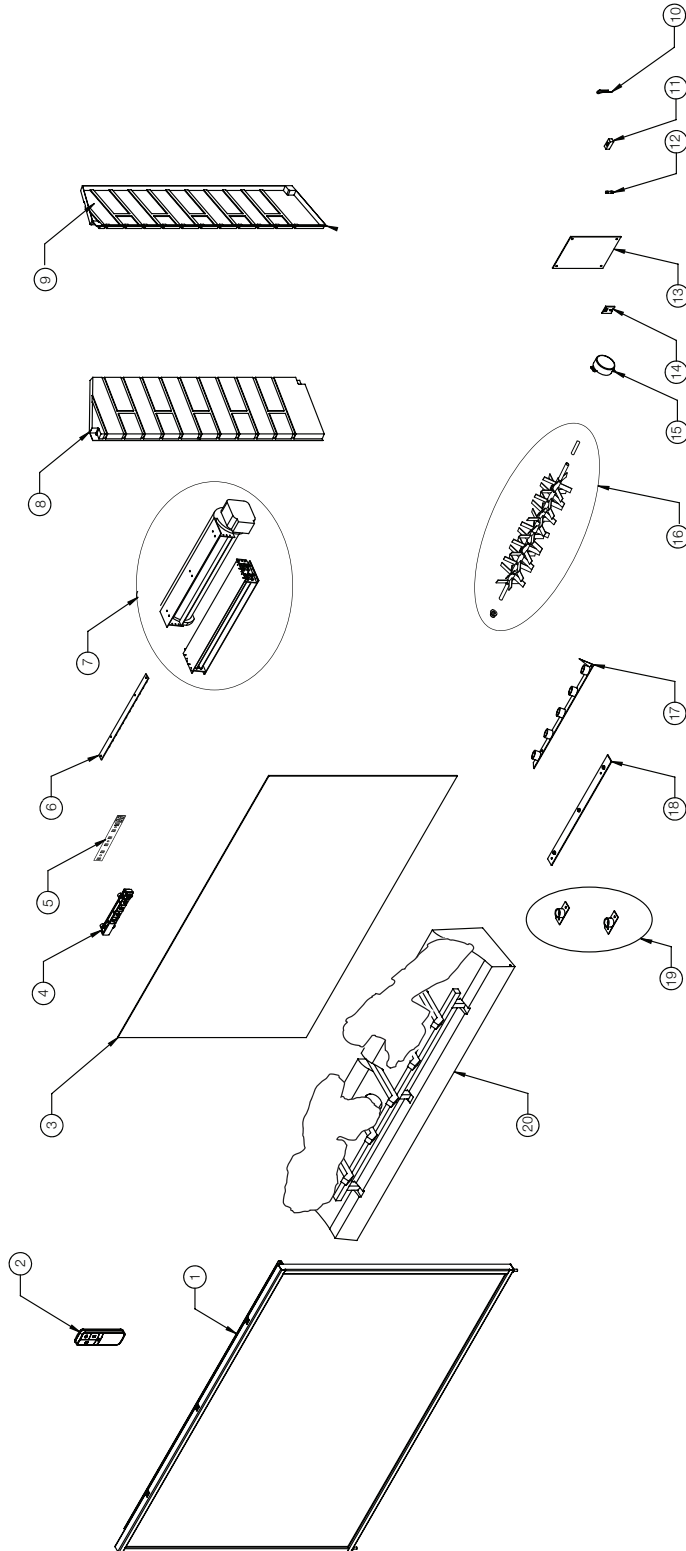
Ces articles peut différer de celle illustré.

No. de Réf.	No. de Pièce	Description	En Stock	No. de Réf.	No. de Pièce	Description	En Stock
1	G135-0006-SER	Bûche du côté gauche	SO	3	W185-0032-SER	Grille	SO
2	G135-0007-SER	Bûche du côté droit	SO	4	G135-0005-SER	Lit de braises	SO

note:

Utilisez de prudence lorsque vous enlevez et jetez des débris de verre ou des composants endommagés. Assurez-vous d'aspirer tous les débris de verre à l'intérieur de l'appareil avant de le faire fonctionner.

8.3 vue d'ensemble NEFB40H



Ces articles peuvent différer de ceux illustrés.

Réf.	No. de Pièce	Description	En Stock
1	G010-0059-SER	Assemblage de porte	Oui
2	G660-0005-SER	Télécommande	Oui
3	W497-0012-SER	Panneau de flamme	Oui
4	G010-0080-SER	Panneau de contrôle	Oui
5	G190-0006-SER	Planche de panneau de contrôle	Oui
6	G405-0007-SER	Lumière décorative DEL	Oui
7	W010-3887-SER	Assemblage de chauffage et ventilateur	Oui
8	G475-0008-SER	Panneau brique de côté gauche	Oui
9	G475-0009-SER	Panneau brique de côté droit	Oui
10	G750-0034-SER	Assemblage de fil	Oui

Réf.	No. de Pièce	Description	En Stock
11	W660-0177-SER	Interrupteur 120/240V	Oui
12	W285-0002-SER	Fusible de 2 ampères	Oui
13	W190-0089-SER	Planche PCB	Oui
14	G190-0007-SER	Thermostat	Oui
15	W435-0059-SER	Moteur pas à pas	Oui
16	G010-0058-SER	Réfecteur (avec bague & adaptateur)	Oui
17	G405-0013-SER	Bande de flamme DEL	Oui
18	W405-0014-SER	Bande de braise DEL	Oui
19	G405-0014-SER	Bûche DEL	Oui
20	W010-3318-SER	Assemblage de bûche	SO

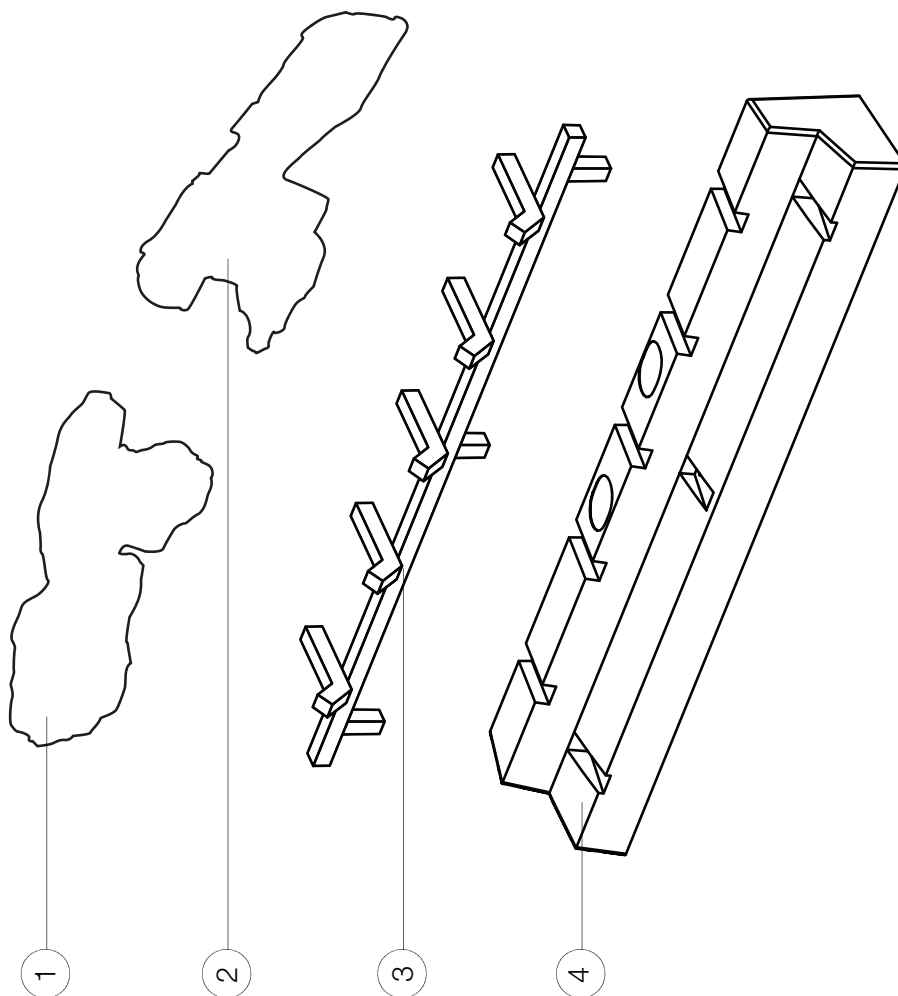
pièces de rechanges

FR

note:

L'ensemble de bûches (W010-3318-SER) doit être commandée pour remplacer une pièce.

8.4 l'ensemble des bûches NEFB40H (W010-3318-SER)



Ces articles peut différer de celle illustré.

No. de Réf.	No. de Pièce	Description	En Stock	No. de Réf.	No. de Pièce	Description	En Stock
1	G135-0008-SER	Bûche du côté gauche	SO	3	W185-0001-SER	Grille	SO
2	G135-0009-SER	Bûche du côté droite	SO	4	G135-0010-SER	Lit de braises	SO

AVERTISSEMENT

- Coupez l'alimentation électrique à l'appareil et laissez-le refroidir avant d'effectuer un entretien. Seulement un technicien de service qualifié peut effectuer l'entretien ou la réparation de cet appareil électrique.

symptôme	problème	solution
L'appareil ne s'allume pas lorsque l'interrupteur est mis à « on ».	L'appareil n'est pas branché dans une prise de courant.	Vérifiez la prise, et branchez dans l'appareil si nécessaire.
	Branchement par câble sont incorrectes.	Voir la section « branchement par câble ».
	L'appareil a surchauffé et le dispositif de sécurité a entraîné le déclenchement de l'interrupteur thermique.	Débranchez l'appareil et le disjoncteur, laissez-le refroidir pendant 15 minutes, puis branchez l'appareil ou allumez le disjoncteur.
	Issue avec le panneau PCB principal.	Inspectez la carte de circuit imprimé et remplacez-le si nécessaire.
L'appareil s'éteint et ne se rallume pas.	Le disjoncteur de la maison s'est déclenché.	Réinitialisez le disjoncteur.
	Le fusible de l'appareil a éteint.	Remplacez le fusible.
	L'appareil a surchauffé et le dispositif de sécurité a entraîné le déclenchement de l'interrupteur thermique.	Débranchez l'appareil et le disjoncteur, laissez-le refroidir pendant 15 minutes, puis branchez l'appareil ou allumez le disjoncteur.
L'appareil est revenue à les paramètres par défaut.	Panne de courant.	Reprogramme l'appareil au paramètres d'origine (pas applicable avec tous les appareils).
La télécommande ne fonctionne pas.	Les piles sont faibles.	Remplacez les piles de la télécommande.
	Dysfonctionnement du récepteur à distance.	Assurez-vous que le récepteur à distance n'est pas bloqué. Remplacez le panneau.
L'appareil n'émet aucune chaleur.	Réglage du chauffage n'est pas sélectionné.	Voir la section « fonctionnement ».
	Le chauffage a été verrouillé.	Voir la section « fonctionnement ».
	La température ambiante est plus élevée que le réglage de l'appareil (si réglée au température de la chambre).	Réinitialisez le réglage pour la température.
	L'appareil a surchauffé et le dispositif de sécurité a entraîné le déclenchement de l'interrupteur thermique.	Débranchez l'alimentation ou éteignez le disjoncteur. Laissez l'appareil refroidir pendant 15 minutes.
	Branchement par câble sont incorrectes.	Voir la section « branchement par câble ».
	Problème avec le chauffage.	Inspectez la soufflerie and le chauffage, et les remplacez si nécessaire.
La chauffage s'éteint automatiquement.	La salle est trop chaude.	L'appareil est équipé d'un thermostat intégré et s'éteindra automatiquement lorsque la température programmée sera atteinte. Il s'allumera automatiquement lorsque la température de la pièce descendra en dessous de la température programmée.

guide de dépannage

FR

La luminosité du jeu de flammes est faible ou inexistante.	Éclat de flamme n'est pas sélectionné.	Voir la section « fonctionnement ».
	Problème avec les flamme DELs.	Vérifiez les DELs et remplacez-les si nécessaire.
	Problème avec le panneau PCB principal.	Vérifiez le panneau PCB principal et remplacez-le si nécessaire.
La flamme ne bouge pas.	Le moteur est calé / ne fonctionne pas	Cycle de marche / arrêt. Si le problème persiste, consultez votre détaillant.
Le lit de braises s'aillumine pas ou ne diminue pas en luminosité.	Luminosité n'est pas sélectionné.	Voir la section « fonctionnement ».
	Problème avec les DEL de braises.	Vérifiez les DEL de braises et remplacez-les si nécessaire.
	Problème avec le panneau PCB principal.	Vérifiez la panneau PCB principal et remplacez-le si nécessaire.
DEL clignote « OH ».	L'appareil a surchauffé et le dispositif de sécurité a entraîné le déclenchement de l'interrupteur thermique.	Débranchez l'appareil et le disjoncteur, laissez-le refroidir pendant 15 minutes, puis branchez l'appareil ou allumez le disjoncteur. Si le problème persiste, consultez votre détaillant.

Les appareils électriques **Napoléon** sont fabriqués conformément aux normes strictes du Système de Gestion de la Qualité mondialement reconnu ISO 9001 : 2015.

Les produits **Napoléon** sont conçus avec des composants et des matériaux de qualité supérieure, assemblés par des artisans qualifiés qui sont fiers de leur travail. Une fois assemblé, chaque appareil est soigneusement inspecté par un technicien, une agence de service, ou un distributeur qualifié(e) ou autorisé(e) avant d'être emballé pour garantir que vous, le client, recevez le produit de qualité dont vous vous attendez de **Napoléon**.

Garantie Prime Des Appareils Électriques Napoléon

Les composants électriques et les pièces soumises à l'usure sont couverts et **Napoléon** fournira gratuitement les pièces de rechange durant les première 2 années de la garantie prime. Ceci couvre: le ventilateur/l'appareil de chauffage, les moteurs, les interrupteurs, les roulements à billes en nylon, les télécommandes et les lumières de DEL.

Les ampoules et fusibles NE SONT PAS couvert par la garantie.

Dans la première année seulement, les coûts de main-d'oeuvre relatifs aux réparations garanties sont couverts.

* La fabrication de chaque modèle varie. La garantie s'applique uniquement aux composants disponibles avec votre appareil spécifique.

Conditions et Limitations

Napoléon garantit ses produits contre les défauts de fabrication à l'acheteur d'origine seulement. L'enregistrement de la garantie n'est pas nécessaire. Fournissez simplement une preuve d'achat ainsi que le modèle et le numéro de série afin d'effectuer une réclamation de garantie. L'achat doit avoir été fait par l'entremise d'un détaillant **Napoléon** autorisé et sous réserve des conditions et limitations suivantes:

La couverture de la garantie débute à partir de la date d'installation originale.

Cette garantie du fabricant n'est pas transférable et ne peut être prolongée par aucun de nos représentants.

L'installation doit être faite conformément aux instructions d'installation incluses avec le produit et à tous les codes d'incendie et de construction locaux et nationaux.

Cette garantie prime ne couvre pas les dommages causés par un mauvais usage, un manque d'entretien, un accident, des altérations, des abus, ou de la négligence, et l'installation de pièces d'autres fabricants annulera cette garantie.

Cette garantie prime ne couvre pas non plus les égratignures, les bossellements, la corrosion, ou la décoloration causée par une chaleur excessive, des produits d'entretien chimiques et abrasifs ou l'écaillage de pièces en porcelaine émaillée, le bris par manipulation des bûches PHAZER^{MD}.

Au cours de les première 2 années seulement, cette garantie s'étend à la réparation ou au remplacement des pièces garanties dont les matériaux ou la fabrication sont défectueux à la condition que le produit ait été utilisé conformément aux instructions de fonctionnement et dans des conditions normales.

Après la première année, **Napoléon** ne sera pas responsable de l'installation, de la main d'œuvre, ou autres coûts ou dépenses relatives à la réinstallation d'une pièce garantie, et de telles dépenses ne sont pas couvertes par cette garantie.

Nonobstant toutes les dispositions contenues dans cette garantie limitée, la responsabilité de **Napoléon** sous cette garantie est définie comme ci-dessus, et elle ne s'étendra à aucun dommage accidentel, consécutif, ou indirect.

Cette garantie définit l'obligation et la responsabilité de **Napoléon** en ce qui concerne l'appareil électrique **Napoléon**.

Toute autre garantie énoncée ou implicite en ce qui concerne ce produit, ses composants ou accessoires est exclue.

Napoléon n'endosse, ni n'autorise aucun tiers à assumer en son nom, toutes autres responsabilités concernant la vente de ce produit.

Tous dommages causés à l'appareil, aux garnitures en laiton ou autres composants par l'eau, les dommages causés par les intempéries, de longues périodes d'humidité, la condensation, des produits chimiques, ou produits d'entretien nuisibles ne seront pas la responsabilité de **Napoléon**.

Napoléon se réserve le droit de demander à son représentant d'inspecter tout produit ou pièce avant d'honorer toute réclamation.

Toutes les pièces remplacées en vertu de la politique de la Garantie Prime ne peuvent faire l'objet que d'une seule réclamation.

Toutes les pièces remplacées au titre de la garantie seront couvertes pour une période de 90 jours à partir de leur date d'installation.

Le fabricant peut exiger que les pièces défectueuses ou les produits soient retournés ou que des photos numériques soient fournies pour valider la réclamation. Les produits retournés doivent être expédiés port payé au fabricant pour une inspection en usine. Si un produit est déclaré défectueux, le fabricant le réparera ou le remplacera.

Avant d'expédier votre appareil ou les pièces défectueuses, votre détaillant doit obtenir un numéro d'autorisation. Toute marchandise expédiée à notre usine sans autorisation sera refusée et retournée à l'expéditeur.

Les coûts d'expédition ne sont pas couverts par cette garantie.

Des frais de service supplémentaires peuvent être appliqués si vous cherchez à obtenir des services au titre de la garantie auprès d'un détaillant.

Toutes les spécifications et les conceptions sont sujettes à modifications sans préavis en raison des améliorations constantes apportées aux produits. **Napoléon** est une marque de commerce déposée de Wolf Steel Ltée.

NAPOLÉON CÉLÈBRE PLUS DE 40 ANS D'EXISTENCE CONSACRÉS À LA CONCEPTION DE PRODUITS DE CONFORT



7200, Route Transcanadienne, Montréal, Québec H4T 1A3
24 Napoleon Road, Barrie, Ontario, Canada L4M 0G8
214 Bayview Drive, Barrie, Ontario, Canada L4N 4Y8
103 Miller Drive, Crittenden, Kentucky, USA 41030

Téléphone: 1-866-820-8686
napoleon.com