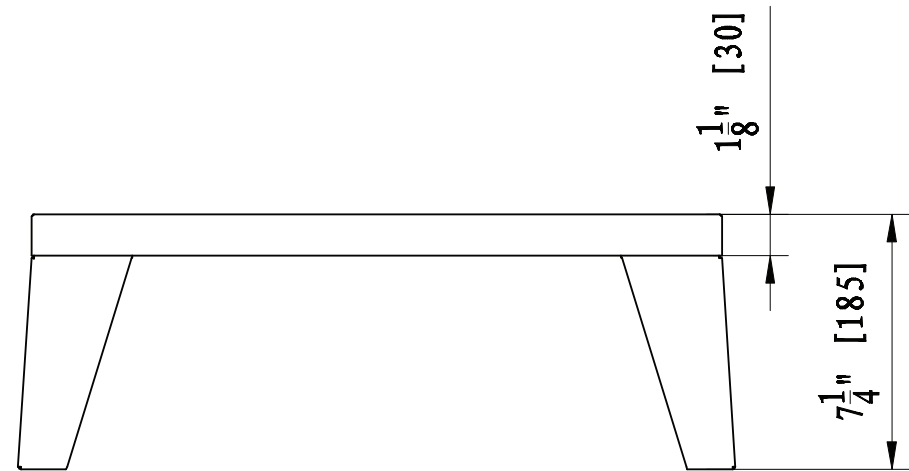
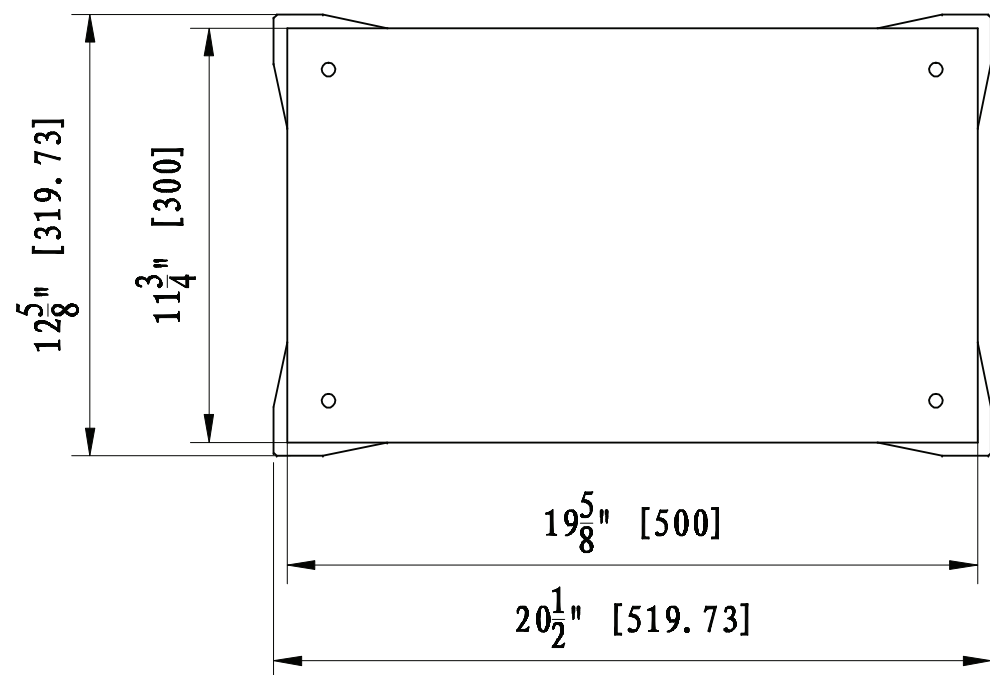


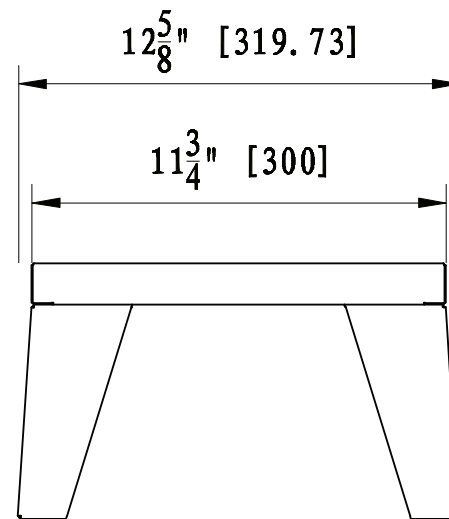
FRONT VIEW



TOP VIEW




SIDE VIEW

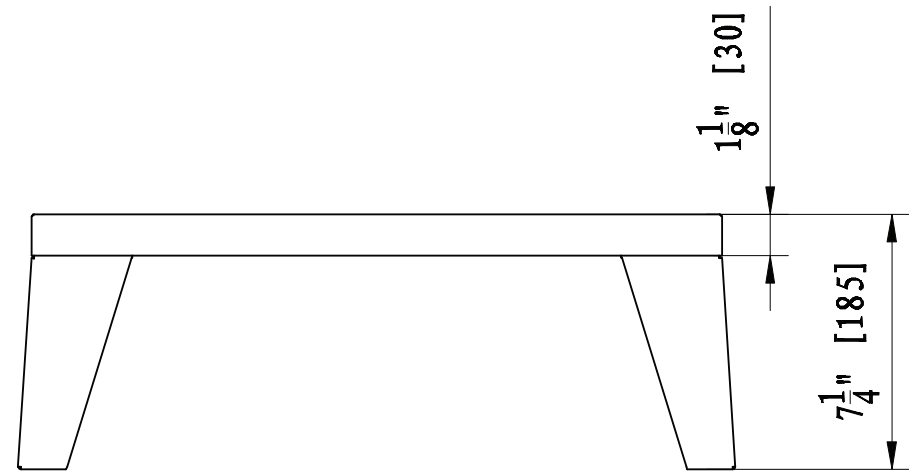


TECHNICAL SPECIFICATIONS

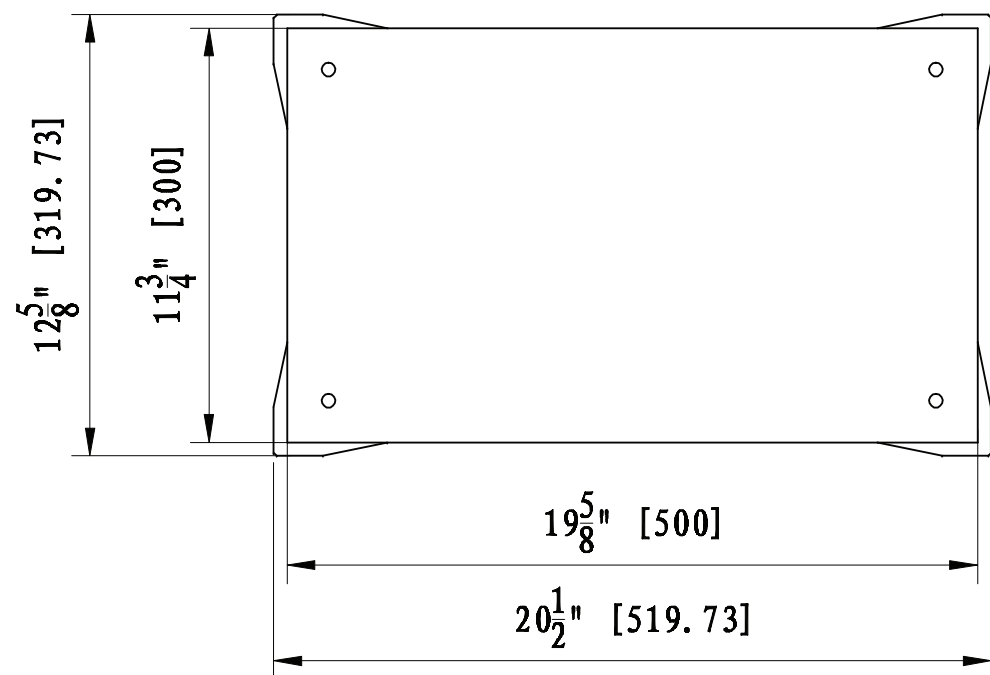
VOLTAGE	N/A	
	N/A	
WATTS	N/A	
HEATER	HIGH	N/A
	LOW	N/A
NO HEATER	N/A	
LAMPS	QUANTITY	N/A
	WATTS	
	TOTAL WATTS	N/A
ROTOR MOTOR	N/A	
HEIGHT, WIDTH, DEPTH	7 1/4 x 19 5/8 x 12 5/8	
GLASS VIEWING OPENING	N/A	
SURROUND SIZE	N/A	
SHIPPING SIZE	5 1/2 x 23 x 15	
SHIPPING WEIGHT	6.6 lbs	
	UNIT	N/A
	GLASS FRONT	N/A
PLUG LOCATION	N/A	
CORD LENGTH	N/A	
APPROX. HEATING AREA	N/A	
All measurements in Inches		

SERIES	MODEL		REV
CUBE	CUBE-LEG-BASE		1
SCALE 1'+0"	DATE:09/10/2018	SHEET 1 OF 1	

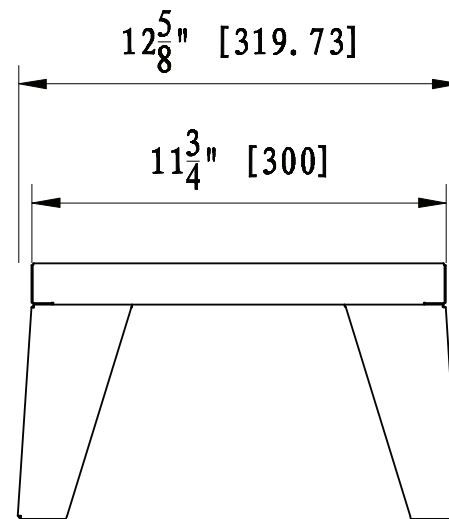
FRONT VIEW



TOP VIEW




SIDE VIEW

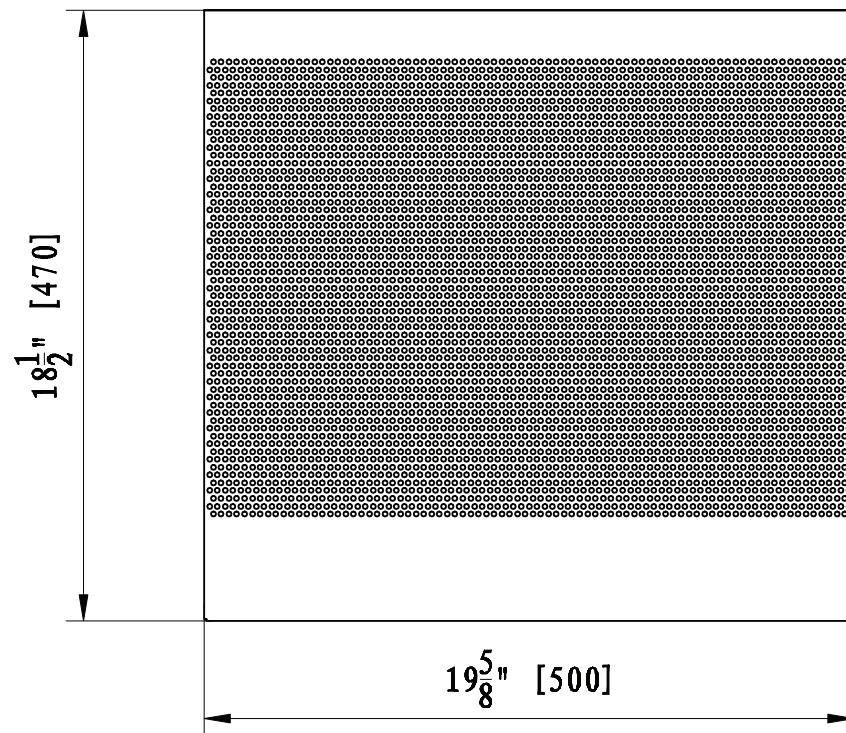


TECHNICAL SPECIFICATIONS

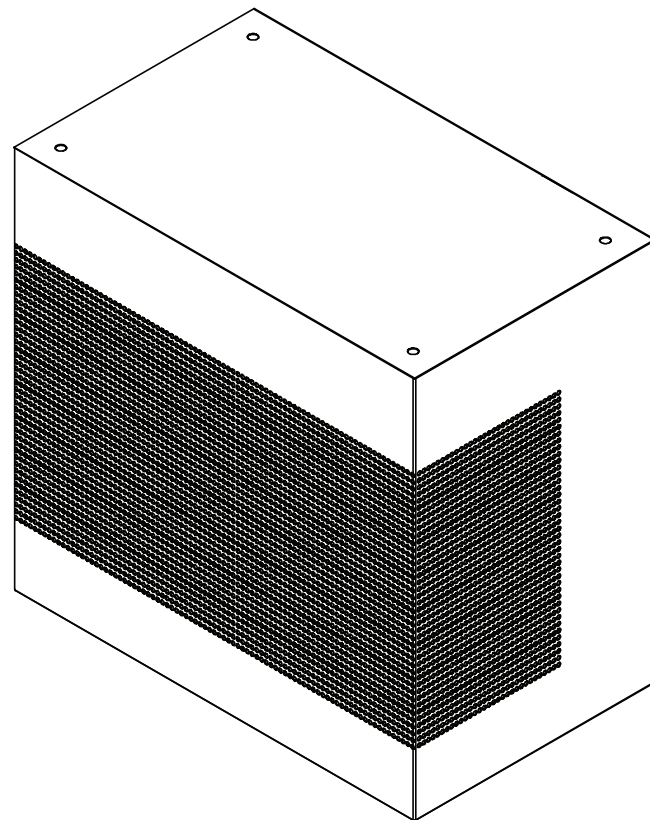
VOLTAGE	N/A	
	N/A	
WATTS	N/A	
HEATER	HIGH	N/A
	LOW	N/A
NO HEATER	N/A	
LAMPS	QUANTITY	N/A
	WATTS	
	TOTAL WATTS	N/A
ROTOR MOTOR	N/A	
HEIGHT, WIDTH, DEPTH	18.5 x 50 x 32	
GLASS VIEWING OPENING	N/A	
SURROUND SIZE	N/A	
SHIPPING SIZE	14 x 59 x 38	
SHIPPING WEIGHT	3 kg	
	UNIT	N/A
	GLASS FRONT	N/A
PLUG LOCATION	N/A	
CORD LENGTH	N/A	
APPROX. HEATING AREA	N/A	
All measurements in Centimeters		

SERIES	MODEL		REV
CUBE	CUBE-LEG-BASE		1
SCALE 1'+0"	DATE:09/10/2018	SHEET 1 OF 1	

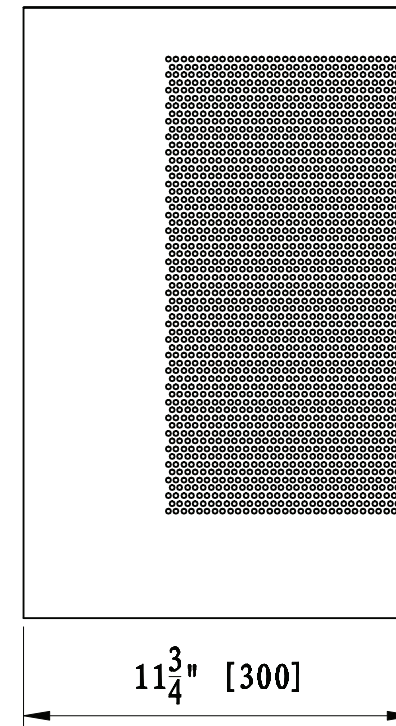
FRONT VIEW



TOP VIEW



SIDE VIEW



TECHNICAL SPECIFICATIONS

VOLTAGE		
WATTS		1900
HEATER	HIGH	1900 watts
	LOW	N/A
NO HEATER		N/A
LAMPS	QUANTITY	N/A
	WATTS	
	TOTAL WATTS	N/A
ROTOR MOTOR		N/A
HEIGHT, WIDTH, DEPTH		47 x 50 x 30
GLASS VIEWING OPENING		N/A
SURROUND SIZE		N/A
SHIPPING SIZE		56 x 59 x 13
SHIPPING WEIGHT		18.3 kg
	UNIT	N/A
	GLASS FRONT	N/A
PLUG LOCATION		N/A
CORD LENGTH		N/A
APPROX. HEATING AREA		N/A
All measurements in Centimeters		

SERIES	MODEL		REV
CUBE	CUBE-SPEAKER-BASE		1
SCALE 1'+0"	DATE:09/10/2018	SHEET 1 OF 1	