

# Amantii

---

## ELECTRIC FIREPLACES

### INSTALLATION /OWNER'S MANUAL

**BI-30-XTRASLIM (BI-X190030-1)**

**BI-40-XTRASLIM (BI-X190040-1)**

**BI-50-XTRASLIM (BI-X190050-1)**

**BI-60-XTRASLIM (BI-X190060-1)**



#### SAFETY INFORMATION



#### **WARNING**

**For your safety, always comply with all warnings and safety instructions contained in this manual to prevent personal injury or property damage.**

Do not store or use gasoline or other flammable vapors and liquids in the vicinity of this appliance.

**INSTALLER: LEAVE OWNER'S MANUAL WITH THE APPLIANCE.**

**CONSUMER: RETAIN OWNER'S MANUAL FOR FUTURE REFERENCE.**



**WARNING:** This product can expose you to chemicals including Lead in the wiring, which is [are] known to the State of California to cause birth defects or other reproductive harm. For more information visit: [www.p65warnings.ca.gov](http://www.p65warnings.ca.gov)



# TABLE OF CONTENTS

Please read and carefully follow all of the instruction found in this manual. The instructions included here will assure that you have many years of dependable and enjoyable service from your Amantii product.

IMPORTANT INSTRUCTIONS.....	3
FCC CAUTIONS .....	4
UNPACKING AND TESTING THE APPLIANCE .....	5
GROUNDING THE APPLIANCE.....	5
LOCATING THE FIREPLACE.....	5
BI-30-XTRASLIM (BI-X190030-1) .....	6
BI-40-XTRASLIM (BI-X190040-1) .....	7
BI-50-XTRASLIM (BI-X190050-1) .....	8
BI-60-XTRASLIM (BI-X190030-1) .....	9
SAFETY DRILL SCREW AREA .....	10
OUTDOOR INSTALLATION.....	10
MANTEL CLEARANCE.....	11
FOR BATHROOM USE .....	11
HARDWARE INSTALLATION.....	12
INSTALLATION .....	13
MEDIA OPTIONS.....	22
DECORATIVE MEDIA INSTALLATION.....	22
OPERATION.....	23
MANUAL OPERATION .....	23
REMOTE CONTROL OPERATION.....	24
WIFI OPERATION.....	26
REPLACEMENT PARTS.....	29
EXPLODED VIEW .....	31
TROUBLE SHOOTING.....	32
SERVICE HISTORY.....	33
WARRANTY .....	34

## **IMPORTANT INSTRUCTIONS**

PLEASE RETAIN THIS USER GUIDE FOR FUTURE REFERENCE

When using electrical appliances, basic precautions should always be followed to reduce the risk of fire, electric shock, and injury to persons, including the following:

- 1) Read all instructions before using this fireplace
- 2) The fireplace is hot when in use. To avoid burns, do not let bare skin touch hot surfaces. Keep combustible material such as furniture, cushions, bedding, paper, clothes, curtains at least 3 feet from the front of the unit
- 3) Extreme caution is necessary when any heater is used near children and whenever the unit is left operating and unattended.
- 4) Do not operate a fireplace with a damaged cord or plug, or if the heater has malfunctioned, the fireplace has drooped or damaged in any manner
- 5) Not all fireplaces are suitable for use in bathrooms or laundry facilities. Please consult with individual product literature to confirm suitability
- 6) Do not run the cord under carpeting. Do not cover cord with throw rugs, runners or the like. Arrange the cord away from traffic area and where it will not be tripped over
- 7) Do not modify this fireplace. Use it as described in the manual. Any other use not recommended by the manufacture may cause fire, shock or injury to persons
- 8) Do not use this heater with programmer, timer, separate remote-control system or any other device that switches the heater on automatically, since a fire risk exists if the heater is covered or positioned incorrectly
- 9) Disconnect all power supply before cleaning, maintenance or relocation of the fireplace
- 10) Keep the heater clean. Do not allow any objects to enter any ventilation or exhaust opening as this may cause electric shock, fire or damage to the heater
- 11) Do not immerse the cord, plug or any part of the appliance in water or any other liquid
- 12) In order to avoid a hazard due to inadvertent resetting of the thermal cut-out, this appliance must not be supplied through an external switching device

### **SAVE THESE INSTRUCTIONS**

**CAUTION:** Procedures and techniques, which, if not carefully followed, will result in damage to the equipment.

**WARNING:** Procedures and techniques, which, if not carefully followed, will expose the user to the risk of fire, serious injury, illness or death.

**Consult with professional electrician and adhere to all code requirements for installations in bathrooms**

## **FCC CAUTIONS**

This device complies with part 15 of the FCC Rules. Operation is subject to the following two conditions: (1) This device may not cause harmful interference, and (2) this device must accept any interference received, including interference that may cause undesired operation.

Any Changes or modifications not expressly approved by the party responsible for compliance could void the user's authority to operate the equipment.

Note: This equipment has been tested and found to comply with the limits for a Class B digital device, pursuant to part 15 of the FCC Rules. These limits are designed to provide reasonable protection against harmful interference in a residential installation. This equipment generates uses and can radiate radio frequency energy and, if not installed and used in accordance with the instructions, may cause harmful interference to radio communications. However, there is no guarantee that interference will not occur in a particular installation. If this equipment does cause harmful interference to radio or television reception, which can be determined by turning the equipment off and on, the user is encouraged to try to correct the interference by one or more of the following measures:

Reorient or relocate the receiving antenna.

Increase the separation between the equipment and receiver.

Connect the equipment into an outlet on a circuit different from that to which the receiver is connected.

Consult the dealer or an experienced radio/TV technician for help.

This equipment complies with FCC radiation exposure limits set forth for an uncontrolled environment. This equipment should be installed and operated with minimum distance 20cm between the radiator & your body.

## UNPACKING AND TESTING APPLIANCE

Carefully remove the appliance from the box.

Prior to installing the appliance, test to make sure the appliance operates properly by plugging the power supply cord into a 120 Volt grounded outlet.

Test all aspects of its operation (manual switches, remote and heater) to make sure all components are operating correctly.

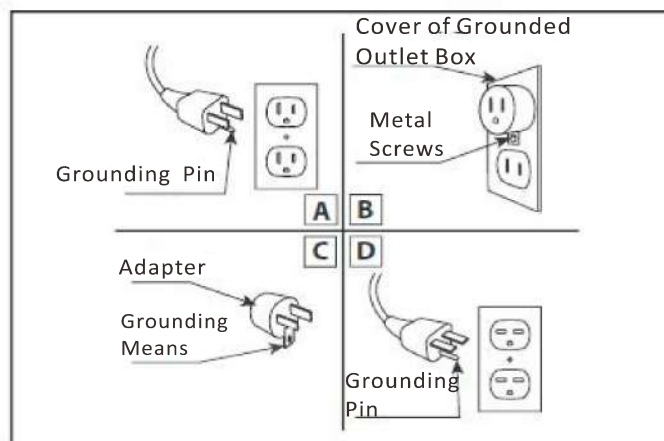
As with most electronic devices, your new electric fireplace has been designed to operate at temperatures between 5 °C (41°F) and 35 °C (95°F). During the cold winter months, allow the fireplace to reach room temperature before turning it on.

**NOTE: There may be trace of odor during the first few minutes of initial use. This is harmless, normal and will never occur again.**

## GROUNDING APPLIANCE

This appliance is for use on 120 Volts. The cord has a plug as shown in (A). An adapter as shown in (C) is available for connecting three-blade grounding type plugs to two-slot receptacles. The green grounding lug extending from the adapter must be connected to a permanent ground such as a properly grounded outlet box. The adapter should not be used if a three-slot grounded receptacle is available.

To disconnect appliance, turn controls to off, then remove plug from outlet.



Note : Adaptor are NOT for use in Canada

## LOCATING THE FIREPLACE

Plan where to locate and frame the fireplace. This will save time and money later when you install the fireplace. Before installation consider the following:

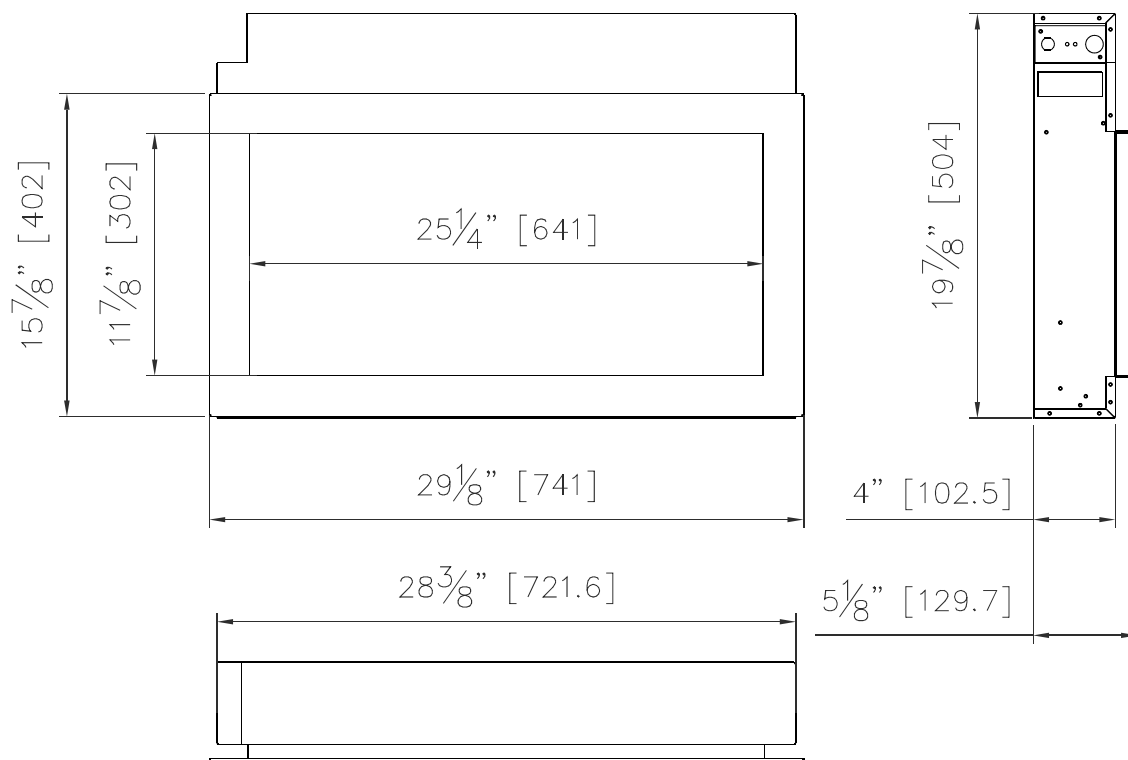
1. Where the fireplace is located must allow for wall and ceiling clearances
2. Consider a location where the fireplace screen will not be exposed to direct sunlight from windows or doors.
3. A 15 ampere, 120 Volt, 60 Hz branch circuit with proper ground must be available at the location. Preferably a dedicated branch circuit should be provided to avoid circuit breakers to trip of fuses to blow.

## BI-30-XTRASLIM (BI-X190030-1)

Description	BI-30-XTRASLIM
Voltage	120V AC 60Hz
Watts	1500W Max
NO HEATER	25W
MOTOR HEATER	19W
Appliance Width	29 1/8" or 74.1cm
Appliance Height	19 7/8" or 50.4cm
Appliance Depth	4" or 10.25cm
Gross Weight	50.7lbs or 23kg
Plug Location	Left side
Cord Length	70 7/8" or 180 cm
Rough Wall Opening Size	29" X 20 3/8" or 73.66 cm X 52 cm
BTU	5118

This appliance has been tested in accordance with the UL Standard 2021 for fixed and location dedicated electric room appliances in the United States and Canada. If you need assistance during installation, please contact your local dealer.

NOTE: This appliance must be electrically wired and grounded in accordance with local codes. In the absence of local codes, use the current CSA C22.1 Canadian Electrical Code in Canada or the ANSI/NFPA 70 National Electrical Code in the United States

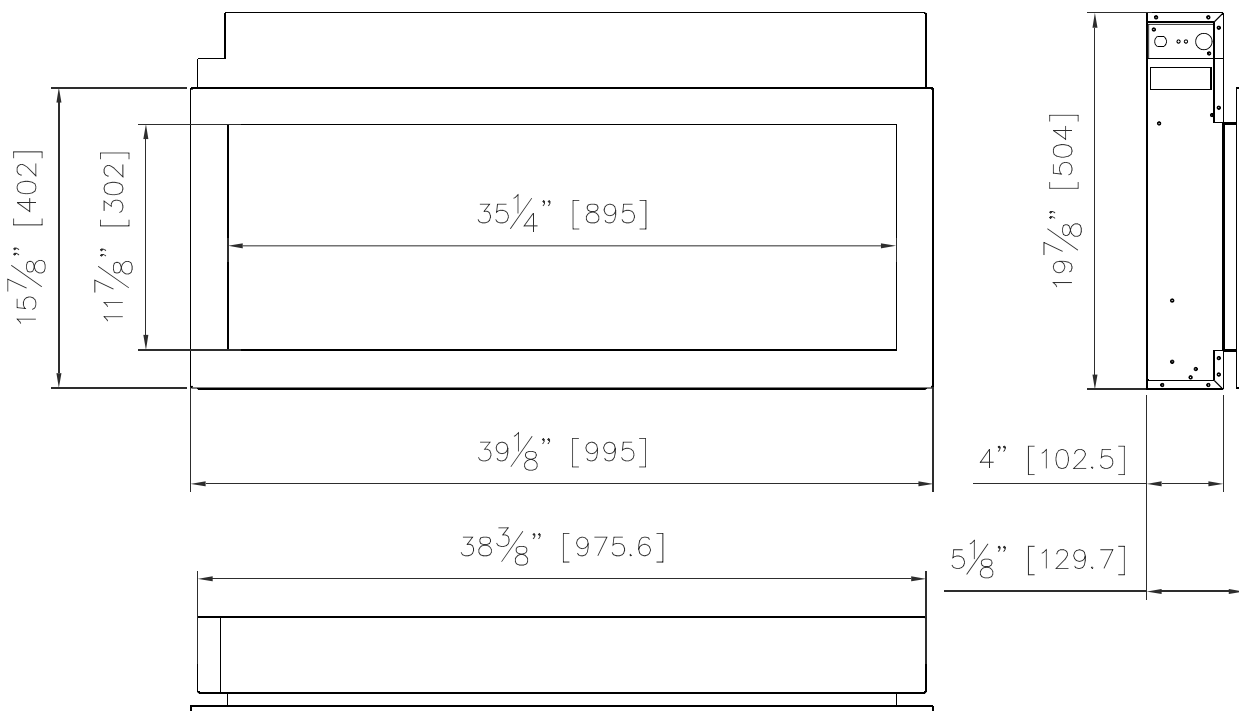


## BI-40-XTRASLIM (BI-X190040-1)

Description	BI-40-XTRASLIM
Voltage	120V AC 60Hz
Watts	1500W Max
NO HEATER	25W
MOTOR HEATER	19W
Appliance Width	39 1/8" or 99.5cm
Appliance Height	19 7/8" or 50.4cm
Appliance Depth	4" or 10.25cm
Gross Weight	56lbs or 25.5kg
Plug Location	Left side
Cord Length	70 7/8" or 180 cm
Rough Wall Opening Size	39" X 20 3/8" or 99.1 cm X 52 cm
BTU	5118

This appliance has been tested in accordance with the UL Standard 2021 for fixed and location dedicated electric room appliances in the United States and Canada. If you need assistance during installation, please contact your local dealer.

NOTE: This appliance must be electrically wired and grounded in accordance with local codes. In the absence of local codes, use the current CSA C22.1 Canadian Electrical Code in Canada or the ANSI/NFPA 70 National Electrical Code in the United States

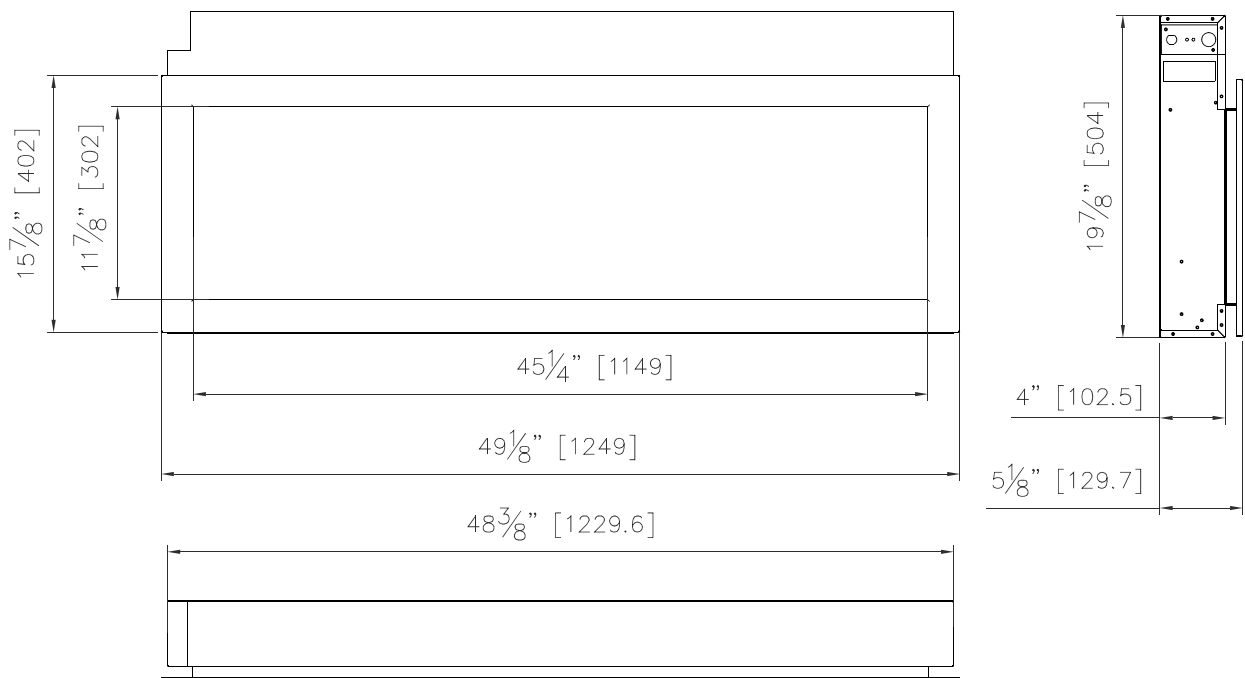


# BI-50-XTRASLIM (BI-X190050-1)

Description	BI-50-XTRASLIM
Voltage	120V AC 60Hz
Watts	1500W Max
NO HEATER	25W
MOTOR HEATER	19W
Appliance Width	49 1/8" or 124.9 cm
Appliance Height	19 7/8" or 50.4 cm
Appliance Depth	4" or 10.25 cm
Gross Weight	66.9 lbs or 30.4kg
Plug Location	Left side
Cord Length	70 7/8" or 180 cm
Rough Wall Opening Size	49" X 20 3/8" or 125cm X 52 cm
BTU	5118

This appliance has been tested in accordance with the UL Standard 2021 for fixed and location dedicated electric room appliances in the United States and Canada. If you need assistance during installation, please contact your local dealer.

NOTE: This appliance must be electrically wired and grounded in accordance with local codes. In the absence of local codes, use the current CSA C22.1 Canadian Electrical Code in Canada or the ANSI/NFPA 70 National Electrical Code in the United States.



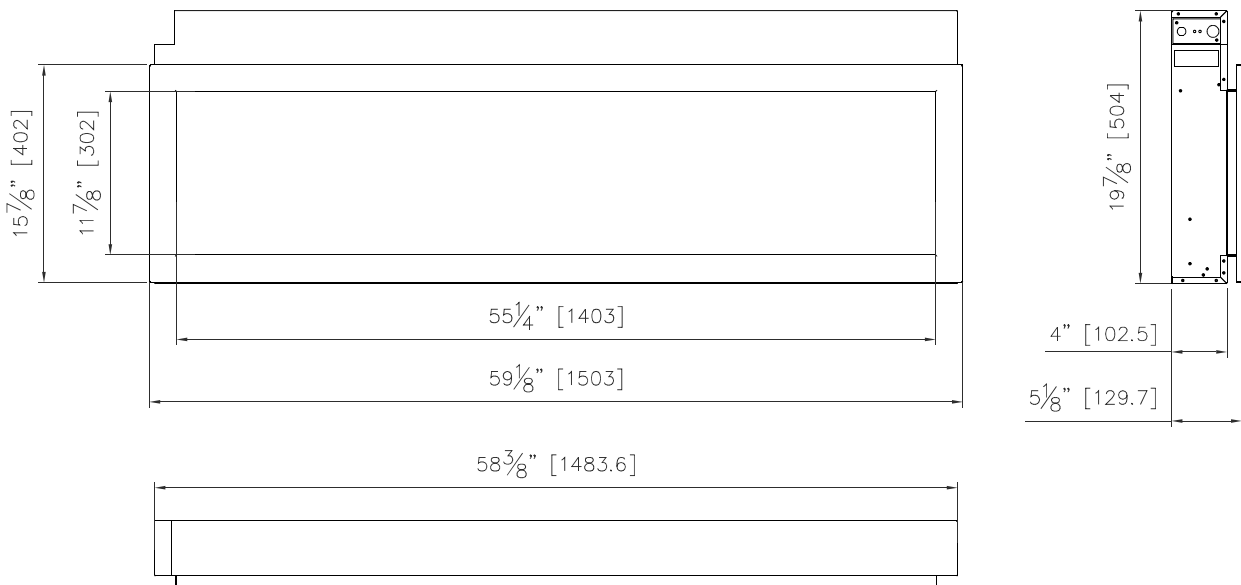


## BI-60-XTRASLIM (BI-X190060-1)

Description	BI-60-XTRASLIM
Voltage	120V AC 60Hz
Watts	1500W Max
NO HEATER	25W
MOTOR HEATER	19W
Appliance Width	59 1/8" or 150.3 cm
Appliance Height	19 7/8" or 50.4 cm
Appliance Depth	4" or 10.25 cm
Gross Weight	77.07lbs or 35kg
Plug Location	Left side
Cord Length	70 7/8" or 180 cm
Rough Wall Opening Size	59" X 20 3/8" or 150 cm X 52 cm
BTU	5118

This appliance has been tested in accordance with the UL Standard 2021 for fixed and location dedicated electric room appliances in the United States and Canada. If you need assistance during installation, please contact your local dealer.

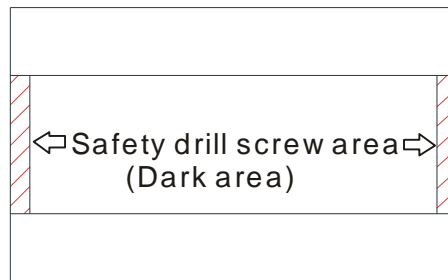
NOTE: This appliance must be electrically wired and grounded in accordance with local codes. In the absence of local codes, use the current CSA C22.1 Canadian Electrical Code in Canada or the ANSI/NFPA 70 National Electrical Code in the United States.



## SAFETY DRILL SCREW AREA

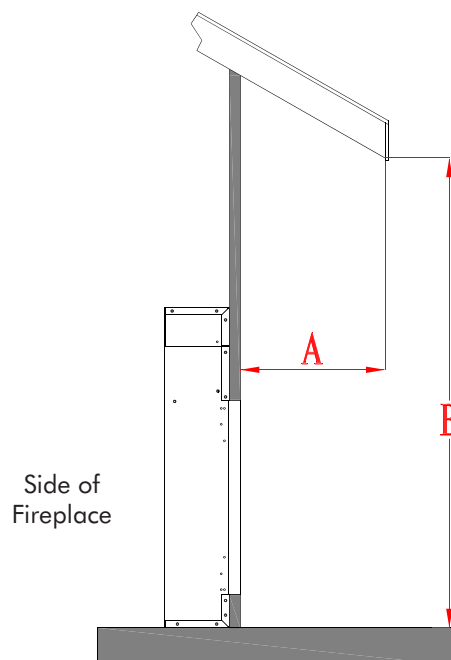
There is a safety drill screw area as show below.

Please make sure that the fix screws are in this area.



## OUTDOOR INSTALLATION

This electric fireplace is suitable for installation in outdoor areas protected from direct water impingement. In addition to maintaining the listed mantel and combustibles clearances, a rain protection overhang factor of 1/2 shall be constructed to the front and to each side of the installed appliance. See illustration below. All wiring connections to line power shall be in accordance with local building code requirements. Inquires about local codes and regulations must be done prior to installation.



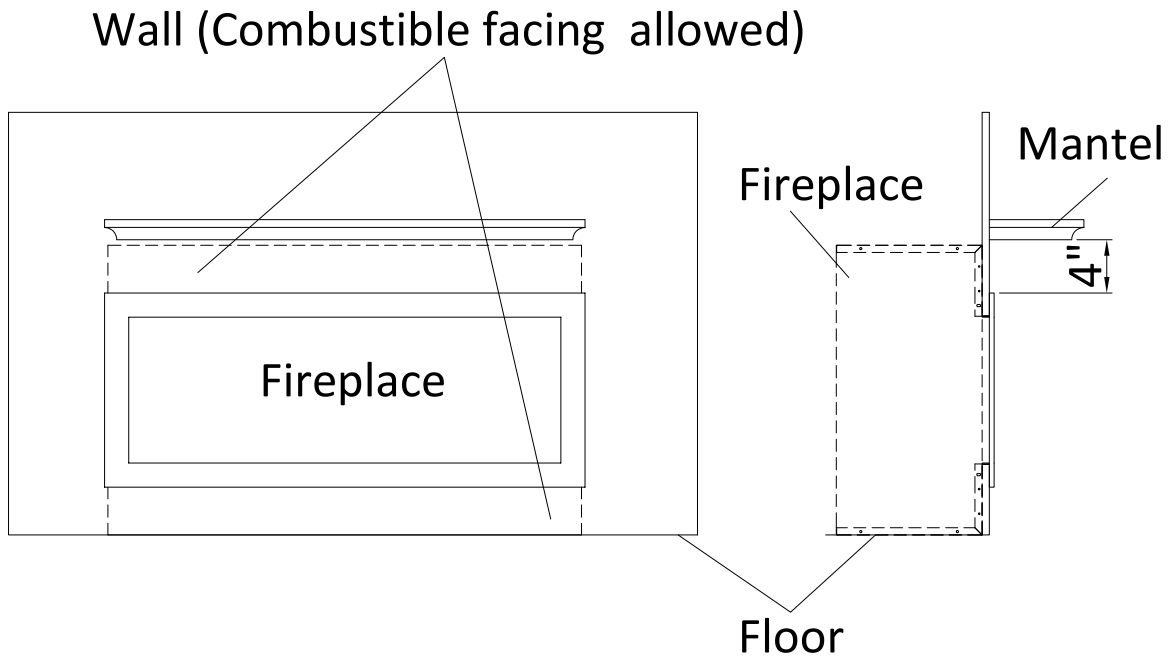
The overhang (A) must extend at least 1/2 the roof-line height (B). Height is measured from the base of the fireplace.

For example: if the roof-line (B) is 8' above the base of the fireplace, the overhang (A) must be at least 4'.

\* When installed in outdoor applications, it is recommended that the BI-XTRASLIM models use the protective PAN-COVER.

## MANTEL CLEARANCE

The clearance to the mantel should be 4" minimum when a mantel is applied (Measurement is taken from the trim).



## FOR BATHROOM USE

If this unit is installed in a bathroom it must be protected by a GIF receptacle or circuit. If receptacle is used it must be readily accessible.

To prevent electric shock, please be aware that this unit is an electrical appliance that is *NOT* watertight and must be installed as to prevent water from entering unit. This must be installed away from shows, tubs, etc. Never locate fireplace where it may fall into a bathtub or other water container.

All wiring connections to line power shall be in accordance with local building code requirements. Inquires about local codes and regulations must be done prior to installation.

**Consult with professional electrician and adhere to all code requirements for installations in bathrooms**

## HARDWIRE INSTALLATION

Turn off the appliance completely and let cool before servicing. Only a qualified service person should service and repair this electric appliance.

If it is necessary to hardwire this appliance, a qualified electrician must remove the cord connection, and wire the appliance directly to the house hold wiring.

This appliance must be electrically connected and grounded in accordance with local codes, if hardwired. In the absence of local codes, use the current CSA C22.1 CANADIAN ELECTRICAL CODE in Canada or the current ANS/NFPA 70 NATIONAL ELECTRICAL CODE in the United States.

1. Remove the cover plate from the left side of the appliance by removing the two screws, as shown below. Unscrew and remove power cord.



2. Attach the wiring to the junction block. Please make sure the live wire goes into the "L", the neutral wire into "N" and the ground wire into "G".



3. Return the cover plate to the left side and screw the two screws back in to fasten the plate.

## INSTALLATION

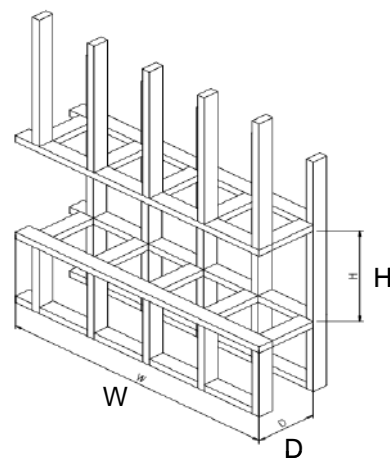
NOTE: Due to the many different materials used to build walls, it is highly recommended that you consult your local builder before you install this appliance on a wall.

The models are designed to be built-in. These units allow for the finishing material (drywall, stone, tile, etc) to be built right down to the glass edge. However, that application is not always desirable or available so the surround could be used as an alternate finish option.

Important note: The optional surround is secured with two screws. Unscrew and lift to remove. It is recommended that two people remove the surround.

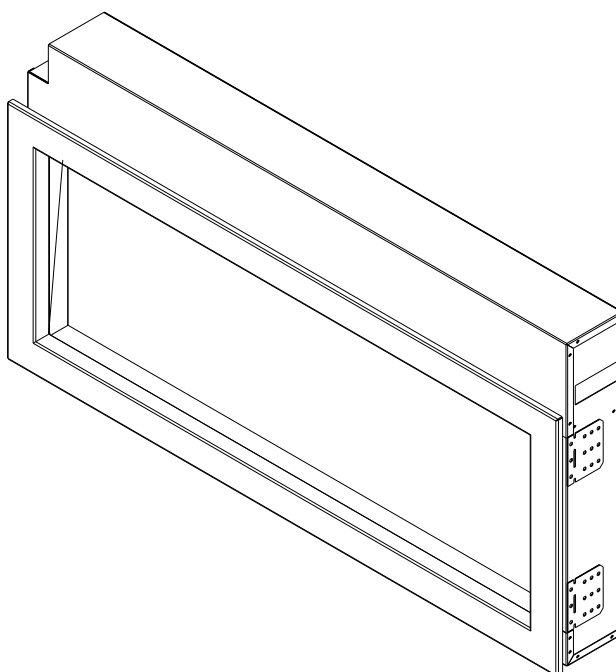
The rough wall opening size of the fireplace :

	W(“)	D(“)	H(“)
BI-30-XTRASLIM (BI-X190030-1)	29	4 1/2	20 3/8
BI-40-XTRASLIM (BI-X190040-1)	39	4 1/2	20 3/8
BI-50-XTRASLIM (BI-X190050-1)	49	4 1/2	20 3/8
BI-60-XTRASLIM (BI-X190060-1)	59	4 1/2	20 3/8

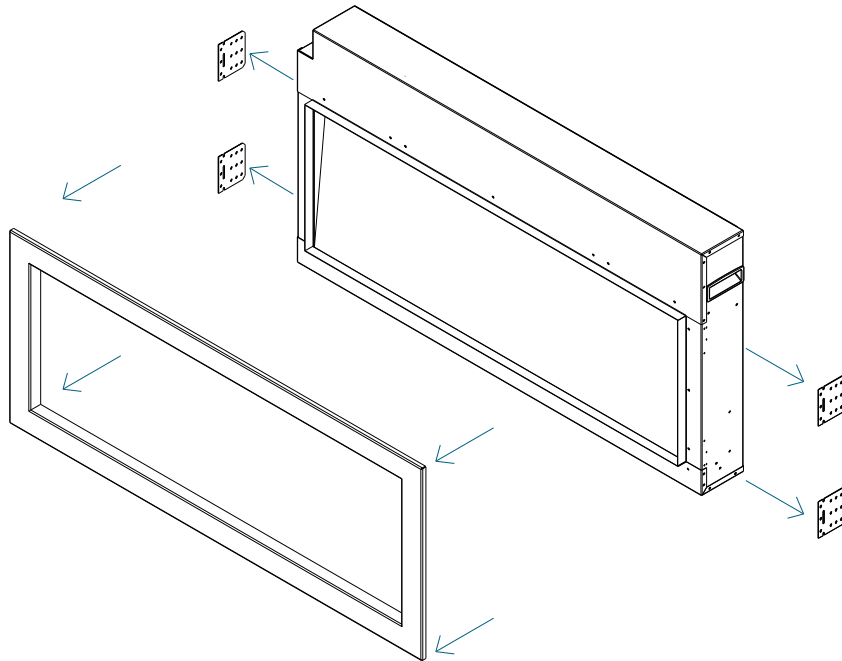


### Built-in Installation Instructions

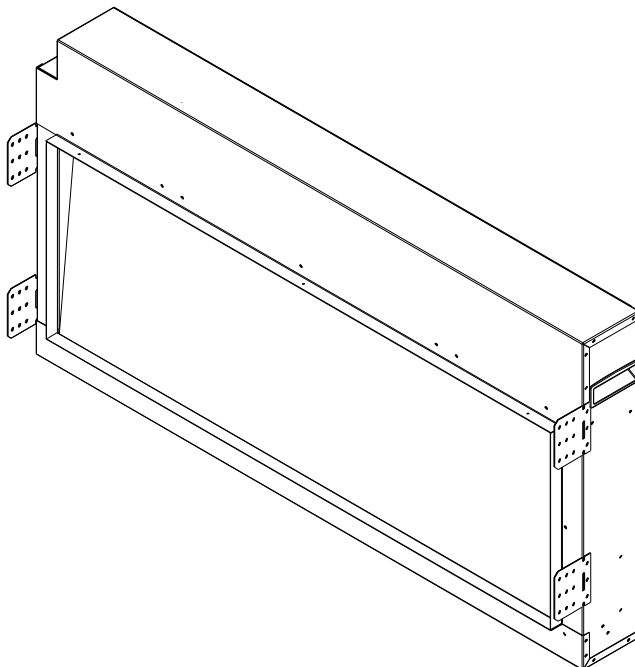
1. Carefully remove the unit from the packaging. Plug in and test the fireplace prior to installation.



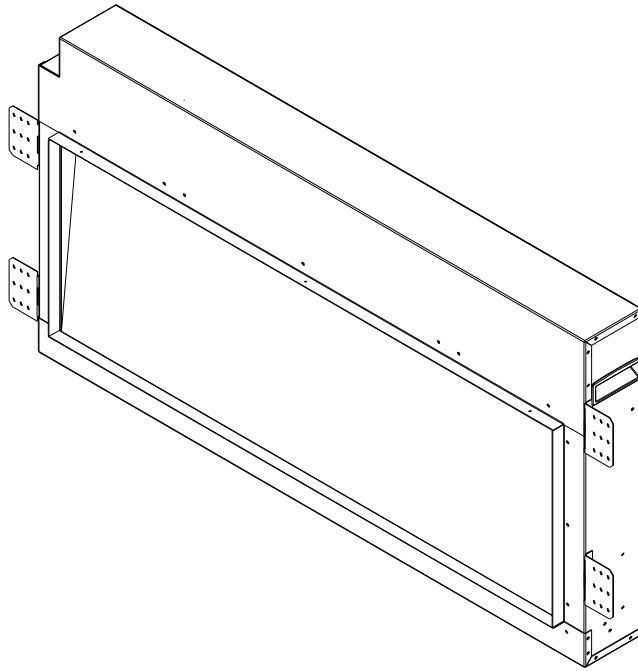
2. Remove the optional trim from the unit as illustrated below. Remove the wall framing plates from the unit.



3. Re-attach the framing plates to the unit as shown below.

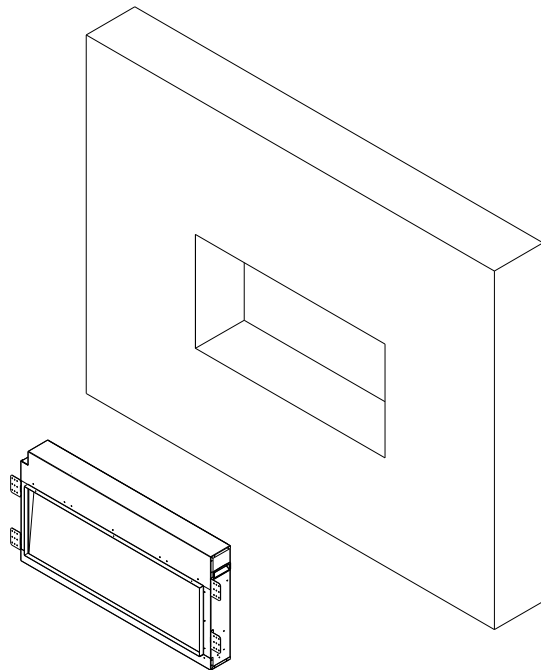


4. Bend the framing plates as shown.

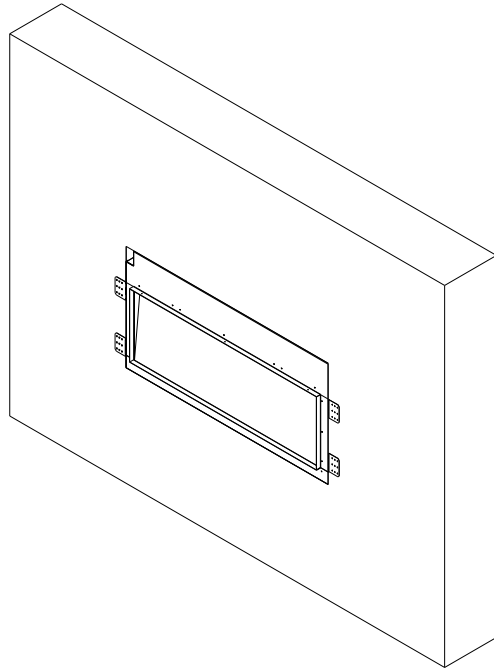


5. Lift the unit into the wall opening.

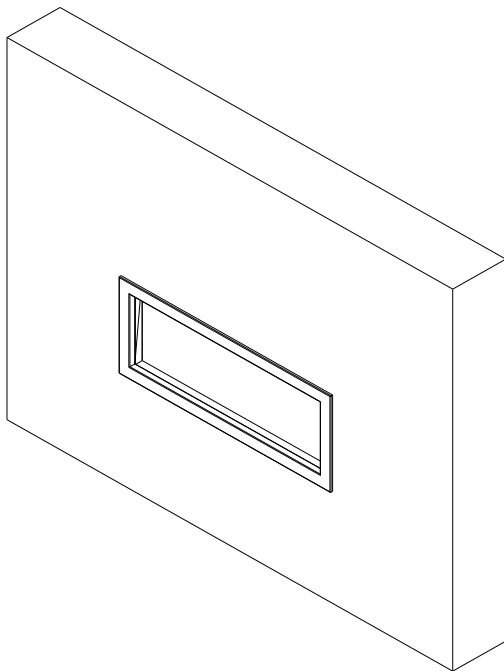
Note: Two people are required



6. Drive the mounting screws through the framing plates securing the unit into the wall studs.



7. Using desired materials, finish to the glass for a clean face installation OR re-attach the steel surround that was removed in STEP 1.

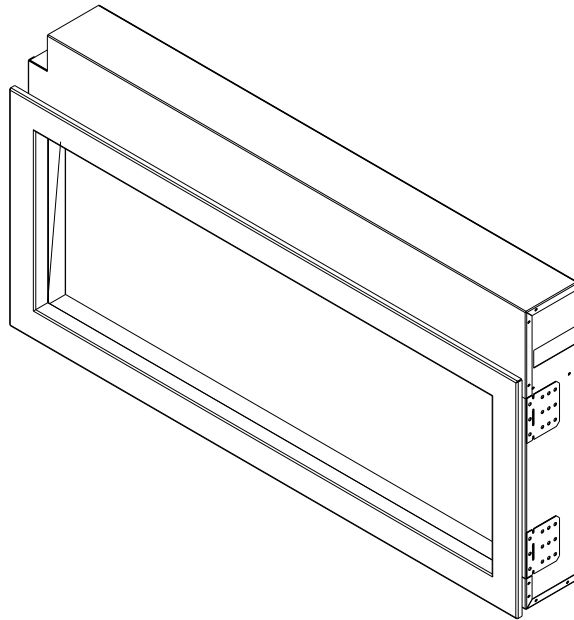




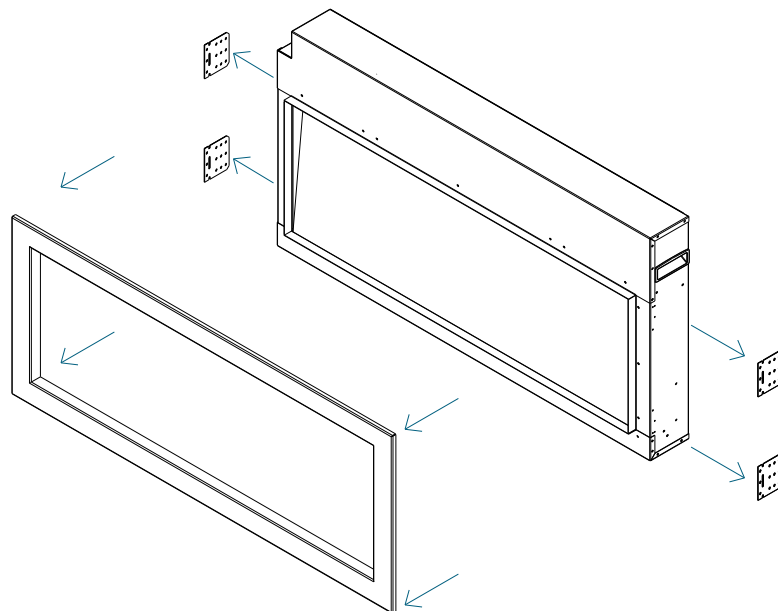
# Wall-mount installation instructions

Note: The mantel is available for Optional Purchase only and does not come with the unit.

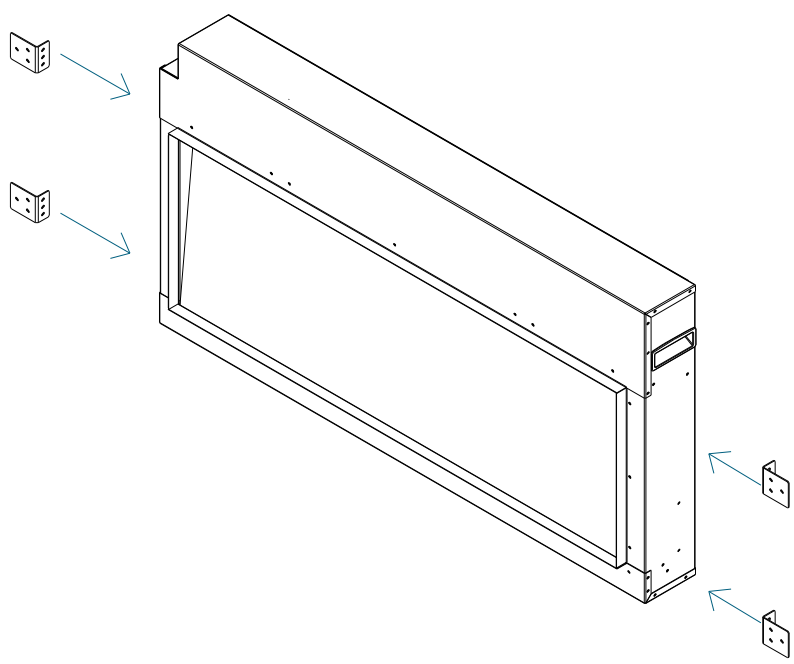
1. Take out the unit from the box. Please do the pre-test before you install the fireplace.



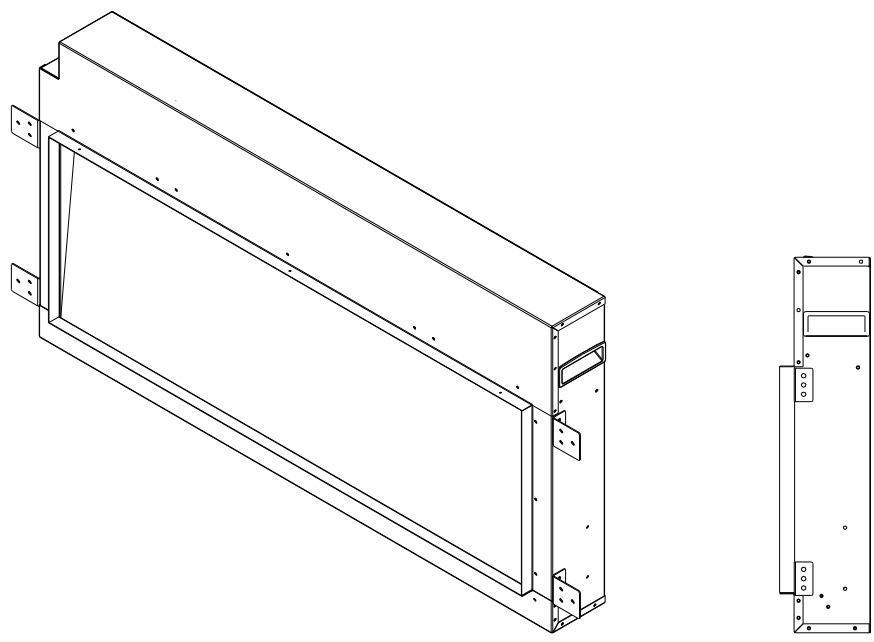
2. Pull out the optional trim from the unit as shows below. Remove the framing plates from the unit.



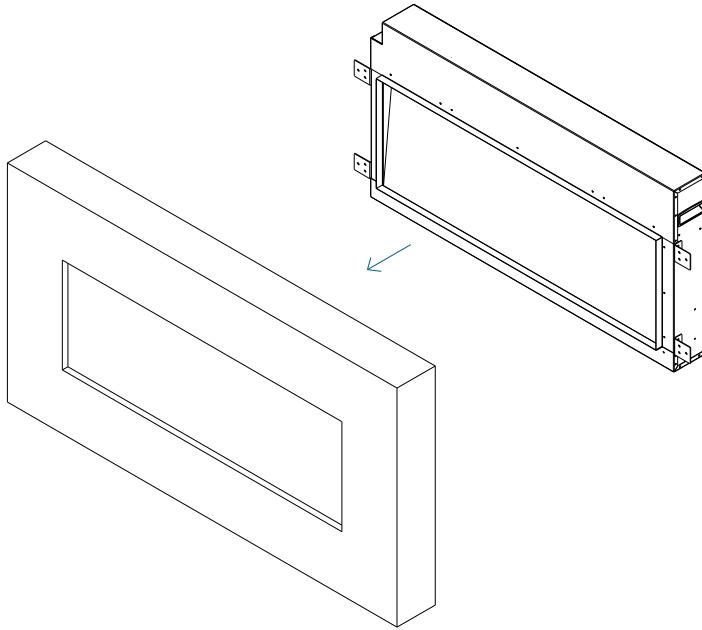
3. Fix the brackets as the picture shows below. You can find the brackets in the plastic bag with the manual.



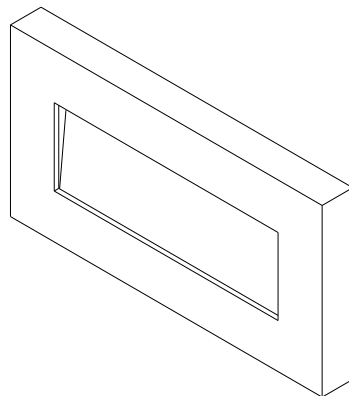
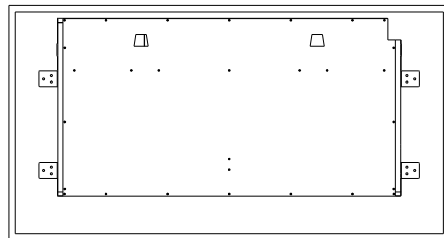
4. Make sure the brackets are fixed the right way as the picture shows below.



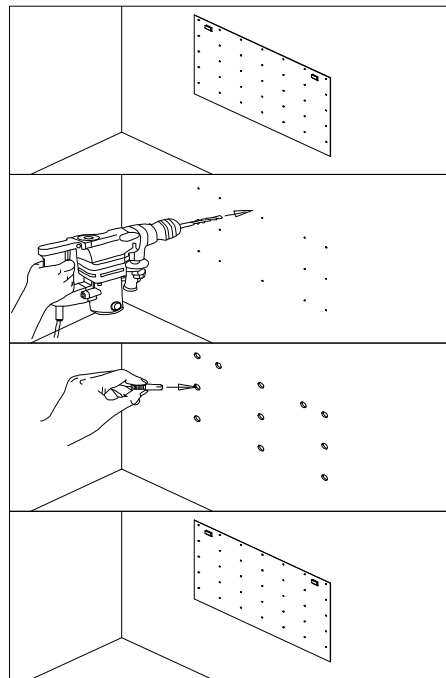
5. Put the fireplace into the back of the wooden frame.



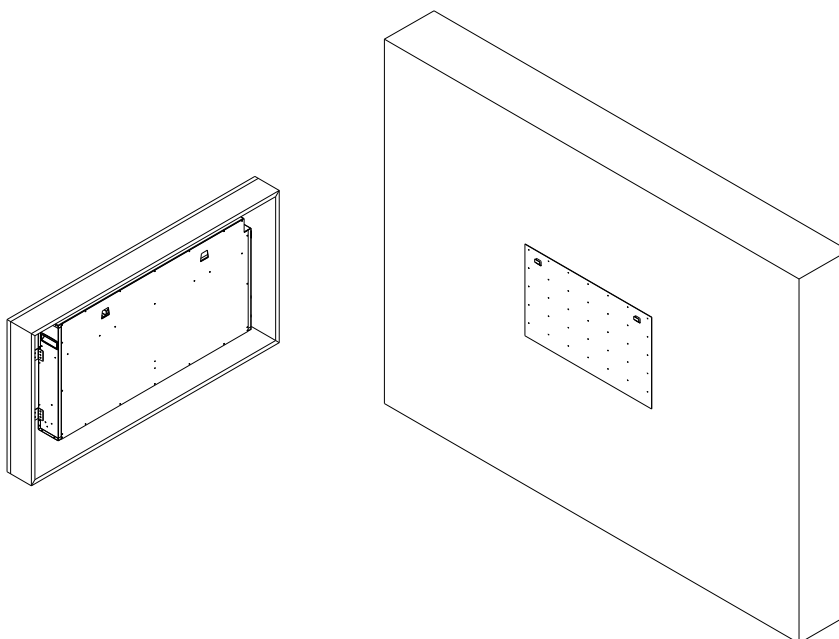
6. Screw the brackets with the wooden frame and make sure the fireplace and the wooden frame are firmly fixed.

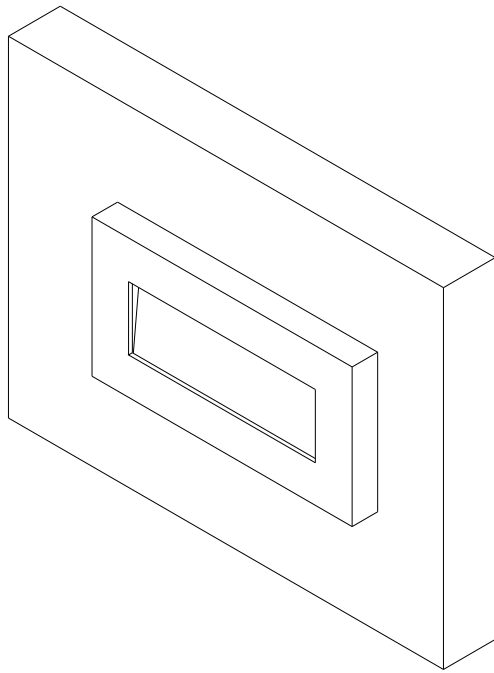


7. Take the hanger from the back of the fireplace by removing screws. Select a location for the hanger to be fixed that is not prone to moisture and is located at least 0.91 m or 3 feet away from combustible materials such as curtains, drapes, furniture, bedding, paper, etc. Before drill, check the wall to ensure there is no wiring, pipe wires etc in the area. Drill 8 or more holes ( 8mm diameter & 40mm depth) using a suitable size drill and put the wall plugs into the hole.

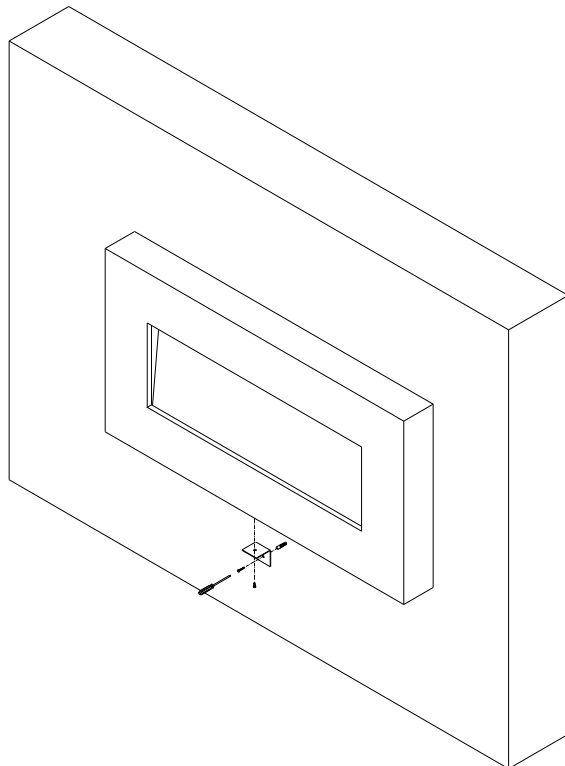


8. Fix the hanger onto the wall and put the fireplace on.





9. Fix a bracket beneath the fireplace to ensure the fireplace won't move.



## MEDIA OPTIONS

The only media that comes with this version is Clear glass. Consumers may purchase optional decorative media if they choose. See dealer for more details.



Clear glass

## DECORATIVE MEDIA INSTALLATION

### Removing the front glass

Unplug the unit from the power and make sure it is switched off. Unscrew the adjustable screws to take off the front glass.

### Installing the decorative media

Pour the fire glass media into the tray. Feel free to use any combination of fire glass media that you find most appealing. Put back the front glass after you finish the fire glass decoration.






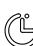


## OPERATION

The Fireplace operates by using either the touch panel located on the upper left hand corner or by remote control.

Plug the fireplace into a 15 Amp wall socket.

## MANUAL OPERATION














1. Press  to turn on and off the fireplace.
2. Press  to adjust the flame brightness. There are 6 brightness levels (L6-L1) and an off(OFF) position. Each time the flame button is pressed, the brightness of the flame decrease.  
  
press the flame button for 10 seconds, the timing indicator light on and will rapidly blinks, at this time, You can use the TuyaSmart APP to connect to the fireplace.
3.  is void in this model.
4. Press  to set the turn-off time, 30min-1h-2h-3h-4h-5h-6h-7h-8h-t0. The indicator light the current timing. If the timing in off position, the second press will show 30. Multiple times to set operating duration to OF, 30 min, 1h, 2h, 3h, 4h, 5h, 6h, 7h, 8h.
5. Press  or the first time to display the current setting temperature, press the button again to clear the current temperature. If the heater in off position, the second press will show 22°C(72°F).Multiple times to set ambient temperatures at 22°C( 72°F) , 23°C(74°F) ,24°C( 76°F) , 25°C( 78°F) , 26°C( 80°F) , 27°C( 82°F) , 28°C( 84°F) ,15°C( 52°F) , 16°C( 54°F) , 17°C( 56°F) ,18°C( 58°F) , 19°C( 60°F) , 20°C( 62°F) , 21°C( 64°F) .  
  
Temperature unit convert functionZ When the heater is on, press and hold the “” Button for 5 seconds, current temperature unit display will convert to another temperature unit.

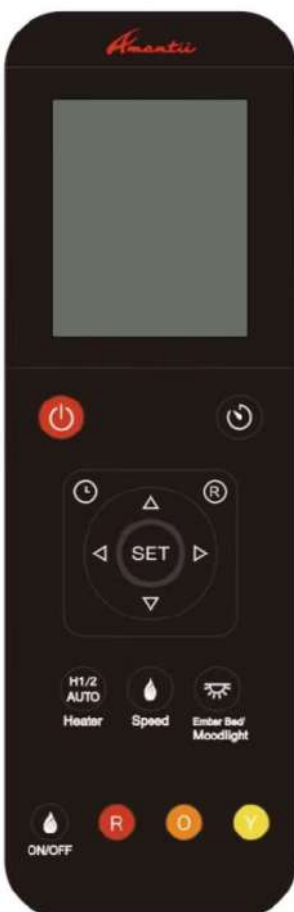
## REMOTE CONTROL OPERATION

For remote to function make sure the fireplace is plugged in and the remote has batteries.

Important: When operating the remote make sure you point the remote to the center of the fireplace. Each time you press the button, the buzzer inside the unit will beep once. It takes some time for the receiver to respond to the transmitter. Do not PRESS the buttons more than once within two seconds for correct operation.


Set the current time of the remote control

Press the  to activate the remote control and press to set  the time and date. When one of the “Sun” “Mon” “Tue” “Wed” “Thu” “Fri” “Sat” is flashing, press  or  to set the day of the week, press  to confirm day of the week and then enter hour setting. Press  or  to set the hour, press  to confirm the hour and then enter minute setting. Press  or  to set the minute and press  to confirm the minute and finish time setting.



Press this Power button to turn on and off the fireplace.



Press this Timer button to set the time to turn off the fireplace. The available settings range from 30 minutes to 8 hours. As shown in the following: 0:30 - 1:00 - 1:30 - 2:00 - 2:30 - 3:00 - 3:30 - 4:00 - 4:30 - 5:00 - 5:30 - 6:00 - 6:30 - 7:00 - 7:30 - 8:00. Once you have set the timer, the  icon will be displayed on the LCD screen of the remote control. Press this button again to cancel the timer setting and the icon disappears.







Each time the Heater Button is pressed, the power of the heater will change. As shown the following: H1- H2- AUTO (22°C) - OFF (no display)

H1 means the fireplace on Low Heat/750W.

H2 means the fireplace on High Heat/1500W.



AUTO means fireplace can automatically adjust to the temperature you set. When in AUTO, you can set the desired temperature with  or  keys. You can switch temperature between Celsius and Fahrenheit with  or  keys. When it is on Auto mode, fireplace operate at 1500W.






Press this button to adjust the speed of the flame. There are 3 options: High-Medium- Low.














This button is void in this model.


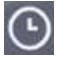





Press the Flame button to turn on and off the Flame. When in ON position, the LCD screen of the remote control shows 6 6 6. Press  or  or  to change the brightness of each color flame.







7 Day Timer Function

Press  once, 7 days from Monday to Sunday will display on the LCD screen of the remote control, press  within 5 seconds to enter 7 day timer function. When “Sun” flashes, press  or  to select the day that you want to set, press  to confirm your setting. Then “ON” will be display on the LCD screen of the remote control, at the same time, digital of time hour flashes, press  or  to set the time to turn the fireplace on. After setting the startup time, “OFF” will be displayed on the LCD screen and press  or  to set the shutdown time. When the shutdown time’s set, “AUTO” will be displayed on the LCD screen of the remote control and the digital of temperature flashes. At this time, you can set the temperature by  or . Now, you have finished setting of this function.

When the 7 day timer’s set, the icon  will be displayed on the LCD screen of the remote control. Press  again to cancel the 7 day timer and the icon  will disappears.

**NOTE:** If the 7 day timing  and the general timing  are set at the same time, the system will respond to an earlier shutdown time.



Press Refer button to check the settings of 7 day timer. Press  or  to see the settings of the day of the week and  or  the settings of the startup and shutdown time.

## WIFI OPERATION

### INSTALL TuyaSmart life

There are 2 ways to install TuyaSmart;

1. Search for “TuyaSmart life” in the APP store on your phone, download and install.
2. Scan the QR code below with your mobile phone.



### WIFI SETTING AND FIREPLACE OPERATION

1. Create an account and log in.
2. When you log in, touch “+” (FIG.1) to enter in FIG.2. Touch “others” on the left corner first and then choose “Connector (Wi-fi)” to enter in FIG.3 to set your Wi-fi account and password.

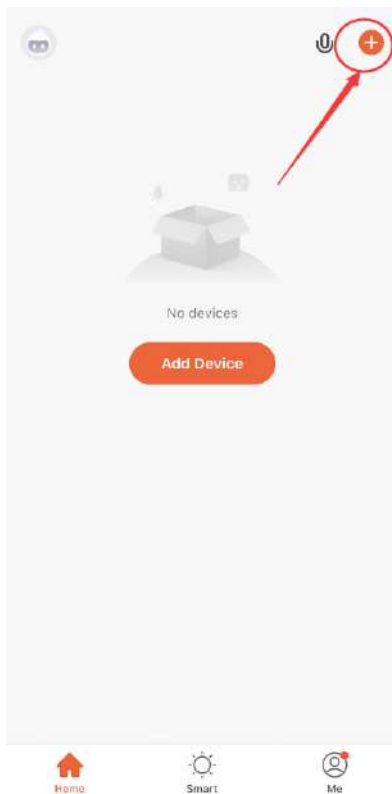


FIG.1





FIG. 2



FIG.3



FIG.4

3. Press  (flame button) on the touch panel of the fireplace for more than 5 seconds when the fireplace is in standby mode. There will be 2 beeps come out from the fireplace and the  (flame button) will flash as well indicating that Wi-fi is in EZ mode. Then please confirm to go next. (FIG.5)
4. The APP will scan (FIG.6) and add the fireplace to APP (FIG.7) automatically. Please make sure the Wi-fi account and password you set are correct and Wi-fi signal is good.
5. Touch “Done” to finish Wi-fi setting.(FIG.7)

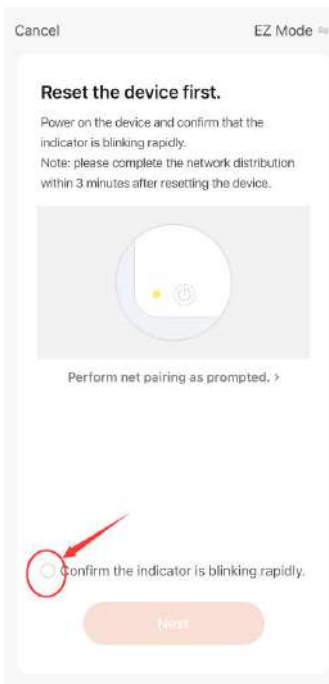


FIG.5

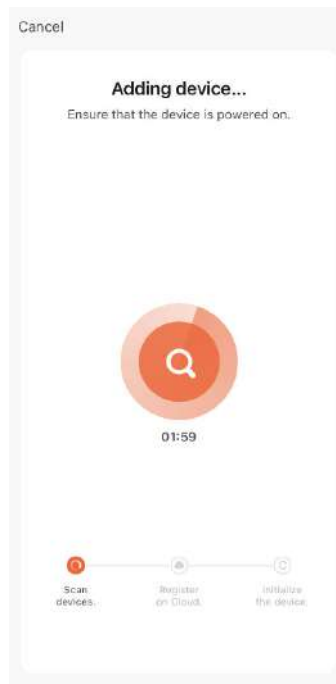


FIG.6



FIG.7

6. Now you are in the interface like FIG.7. You can operate the fireplace via Wi-fi.

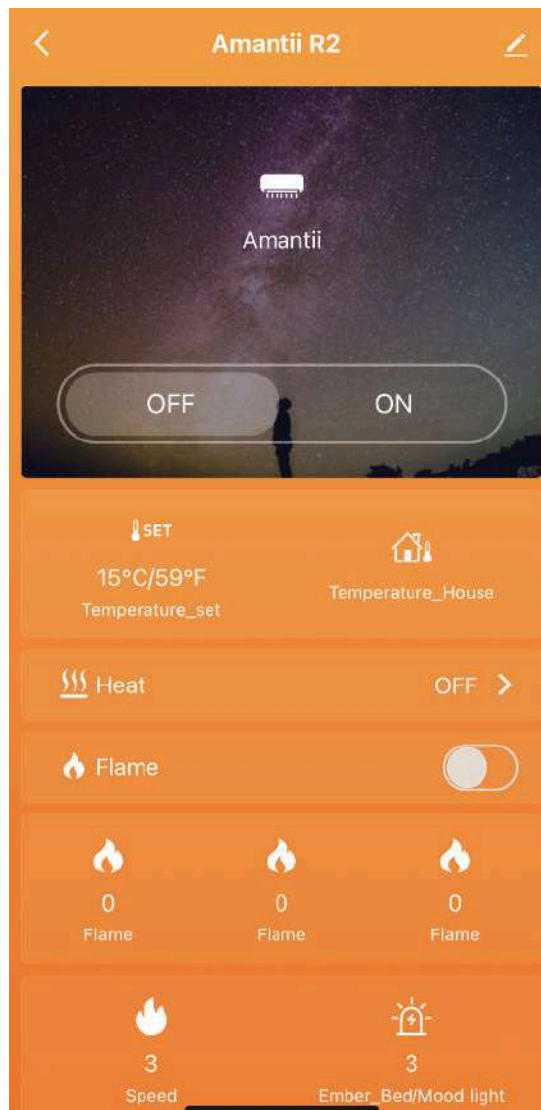
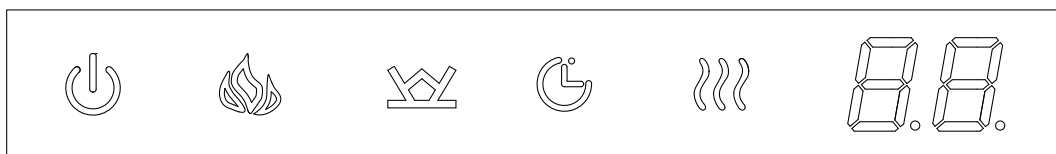


FIG.7

NOTE: Turn off the flashing blue Wifi indicator light



Touch the  (power button) once, the blue light will stop flashing.

**REPLACEMENT PARTS**

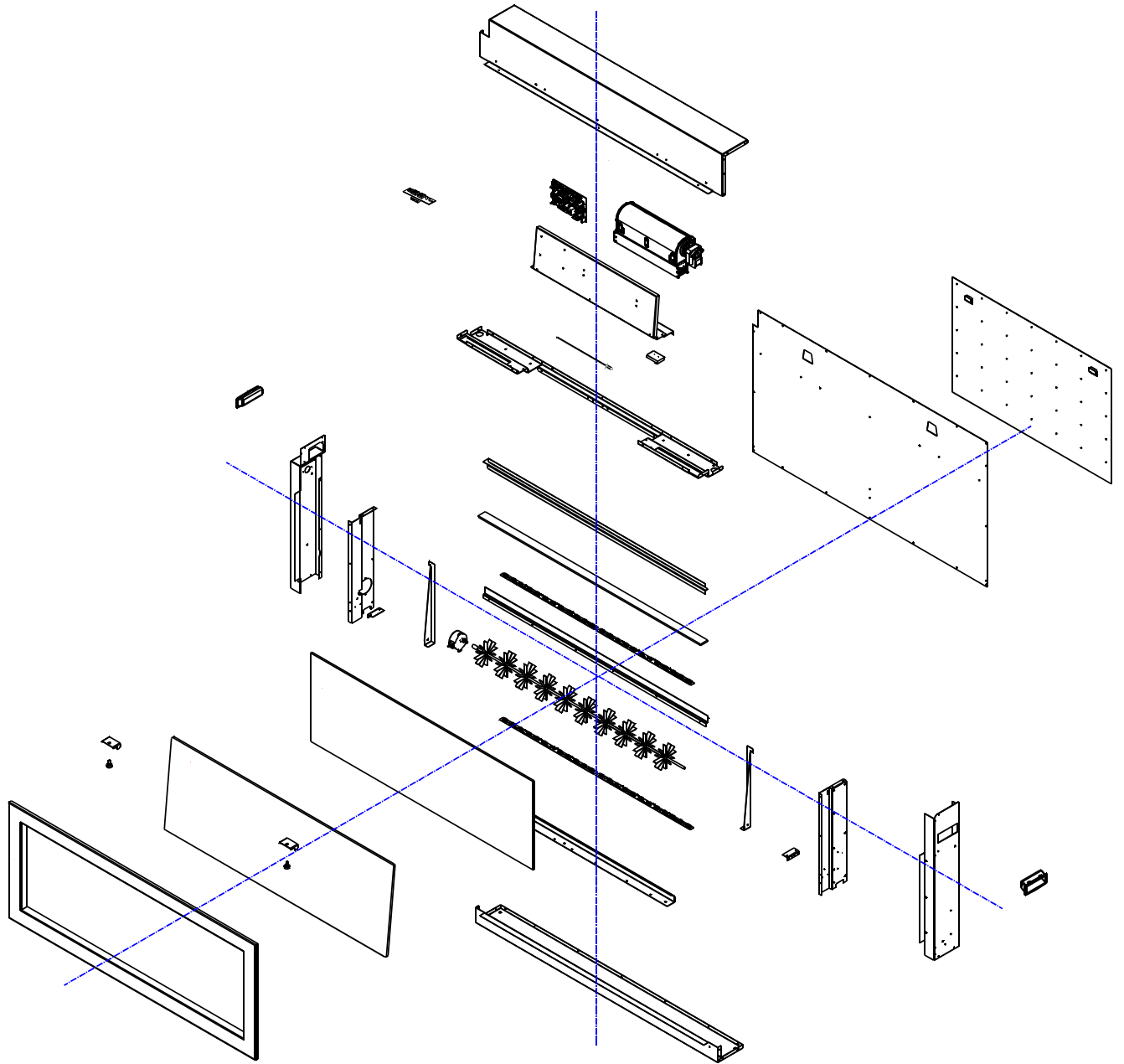
<b>Ref.</b>	<b>Description</b>	<b>Quantity</b>	<b>BI-30-XTRASLIM (BI-X190030-1)</b>	<b>BI-40-XTRASLIM (BI-X190040-1)</b>	<b>BI-50-XTRASLIM (BI-X190050-1)</b>	<b>BI-60-XTRASLIM (BI-X190060-1)</b>
1	Trim	1	3152501	3109501	3057501	3110501
2	Adjustable screws	2	10201505	10201505	10201505	10201501 – Qty 2
3	Front glass bracket	2	3133009	3133009	3133009	3133009
4	Front glass	1	10701282B	10701248B	10701250B	10701252B
5	Back glass	1	10702203B	10702182B	10702184B	10702186B
6	Tray glass	1	10702201	10702176	10702178	10702180
7	Side glass	0	Not applicable	Not applicable	Not applicable	Not applicable
8	Black glass - Left	0	Not applicable	Not applicable	Not applicable	Not applicable
9	Black glass - Right	0	Not applicable	Not applicable	Not applicable	Not applicable
10	Glass bracket - Left	1	3133005	3133005	3133005	3133005
11	Glass bracket - Right	1	3133006	3133006	3133006	3133006
12	Adjustable leveling feet	4	10203015	10203015	10203015	10203015
13	Flicker assembly for Flame	1	3147504	3133504	3135504	3137504
14	Flicker assembly for Tray	0	Not applicable	Not applicable	Not applicable	Not applicable
15	Flame motor	1	10101501B	10101501B	10101501B	10101501B
16	Heater / blower assembly	1	602082	602082	602082 – Qty 2	602082 – Qty 2
17	LED light set for flames	1	801200	801300	801400	801500
18	LED light set for ember bed / Tray lighting	1	10125021	10125022	10125016	10125024
19	LED light set for canopy light	0	Not applicable	Not applicable	Not applicable	Not applicable

**REPLACEMENT PARTS**

<b>Ref.</b>	<b>Description</b>	<b>Quantity</b>	<b>BI-30-XTRASLIM (BI-X190030-1)</b>	<b>BI-40-XTRASLIM (BI-X190040-1)</b>	<b>BI-50-XTRASLIM (BI-X190050-1)</b>	<b>BI-60-XTRASLIM (BI-X190060-1)</b>
20	Temperature sensor	1	10114001B	10114001B	10114001B	10114001B
21	Remote signal receiver	1	601002B	601002B	601002B	601002B
22	Remote control	1	10105501	10105501	10105501	10105501
23	Circuit board	1	10124129	10124129	10124129	10124129
24	AC adapter	1	10116003	10116003	10116003	10116003
25	Circuit board for touch panel	1	10124003	10124003	10124003	10124003
26	Circuit board for touch pad	0	Not applicable	Not applicable	Not applicable	Not applicable
27	WiFi card	1	212051	212051	212051	212051
28	Bluetooth speaker set ( Set includes: Power circuit board, speaker circuit board & speaker)	0	Not applicable	Not applicable	Not applicable	Not applicable
29	Speaker set ( Set includes: Power circuit board, speaker circuit board & speaker)	0	Not applicable	Not applicable	Not applicable	Not applicable
30	Power cord	1	10103014	10103014	10103014	10103014

\*Items may not appear exactly as illustrated

# EXPLODED VIEW



## TROUBLE SHOOTING

<b>PROBLEM</b>	<b>POSSIBLE CAUSE</b>	<b>SOLUTION</b>
Dim or no flame	Flame LED's are burnt out	Inspect the LED's and replace them if necessary
	Back black cloth is falling off and roll the flicker	Change a new flicker and back black cloth
Ember bed is not glowing or dimming	Ember LED's are burnt out	Inspect the ember bed LED's and replace them if necessary
Appliance turns off and will not turn on	Appliance has overheated and safety device has caused the thermal switch to disconnect	Turn off the main switch, allow appliance to cool for 10 minutes, then turn it on
	House circuit breaker has tripped	Reset house circuit breaker
	Appliance's fuse has blown	Replace the fuse
Appliance will not come on when switch is flipped to ON	Appliance is not plugged into an electrical outlet	Check plug and plug in
	Appliance has overheated and safety device has caused the thermal switch to disconnect	Turn off the main switch, allow appliance to cool for 10 minutes, then turn on
	Circuit board is burnt out	Inspect the circuit board and replace if necessary
No warm air coming out of appliance	Heater is burnt out	Inspect the burner and heater assembly and replace if necessary
Flame sputters	Flame motor is defective	Call a qualified service technician and replace flame motor
Remote Control does not work	Low batteries Unit switch in "O" position	Replace AAA batteries in remote control Turn the switch in "I" position
Flame is fixed	Wiring may be loose or the flame motor may be defective	





# ELECTRIC FIREPLACE WARRANTY

## FOR PRODUCTS MANUFACTURED AFTER JANUARY 1, 2016



Amantii Imports Corp. ("Amantii") warrants that your newly purchased Amantii electric fireplace is free from manufacturing and material defects for a period of two (2) years from the date of the first purchase, subject to the conditions and limitations contained below.

### WARRANTY APPLICATION & EXCLUSIONS

This limited warranty applies to your newly purchased Amantii electric fireplace; the limited warranty's application is limited to purchases made in any province of Canada or in any of the 52 States of the United States of America, including the District of Columbia. Only the original purchaser of the product is eligible for coverage under this limited warranty; the warranty is not transferable.

### PRODUCTS EXCLUDED FROM THIS LIMITED WARRANTY

Light bulbs are not covered by this limited warranty and are the sole responsibility of the owner/purchaser.

### WARRANTY COVERAGE AND TERM

Products covered by this limited warranty have been tested and inspected prior to shipment and, subject to the provisions of this warranty, Amantii warrants such products to be free from defects in material and workmanship for a period of two (2) years from the date of the first purchase of such products.

The limited two (2) year warranty period for products also applies to any implied warranties that may exist under applicable law. Some jurisdictions do not allow limitations on how long an implied warranty lasts, so the above limitation may not apply to the purchaser.

All other warranties—expressed or implied—with respect to the product, its components and accessories or any obligation/liabilities on the part of Amantii are hereby expressly excluded.

### WARRANTY COVERAGE AND TERM - BESPOKE SERIES

Products covered by this limited warranty have been tested and inspected prior to shipment and, subject to the provisions of this warranty, Amantii warrants such products to be free from defects in material and workmanship for a period of five (5) years from the date of the first purchase of such products.

The limited five (5) year warranty period for products also applies to any implied warranties that may exist under applicable law. Some jurisdictions do not allow limitations on how long an implied warranty lasts, so the above limitation may not apply to the purchaser.

All other warranties—expressed or implied—with respect to the product, its components and accessories or any obligation/liabilities on the part of Amantii are hereby expressly excluded.

### LIMITATIONS TO COVERAGE UNDER LIMITED WARRANTY

This limited warranty does not apply to products that have been repaired, except by Amantii or its authorized service representatives, or otherwise altered. This limited warranty further does not apply to defects resulting from misuse, abuse, accident, neglect, incorrect installation, improper maintenance or handling, or operation with an incorrect power source. Products made by other manufacturers, sold with the product or thereafter, are not covered by this limited warranty. The use of unauthorized components will render this warranty null and void.

### PANORAMA OUTDOOR UNITS

All Panorama units that are installed outdoors or in moisture intense conditions must use the stainless steel cover. Proof of purchase of the cover is required for any warranty claims.

### SERVICE UNDER LIMITED WARRANTY

Defects must be brought to the attention of Amantii Technical Support by contacting Amantii at (1.877.850.9458), or at 502-1027 Davie Street, Vancouver, BC V6E 4L2. Please have your proof of purchase, catalogue/model and serial numbers available when calling; any and all service under the limited warranty requires a proof of purchase of the product.

### DEFECTS

Should a product or part covered by this limited warranty be proven to be defective, in material or workmanship, and during the two (2) year limited warranty period, Amantii will replace such defective product or part without charge. If Amantii is unable to replace such product, or if replacement is not commercially practicable or cannot be timely done, in its sole discretion Amantii may, in lieu of replacement, choose to refund the purchase price for such product or part.

# ELECTRIC FIREPLACE WARRANTY

## FOR PRODUCTS MANUFACTURED AFTER JANUARY 1, 2016

### APPLICATION OF PROVINCIAL AND STATE LAW

This limited warranty gives you specific legal rights, and you may also have other rights which vary from jurisdiction to jurisdiction. The provisions of the United Nations Convention on Contracts for the Sale of Goods shall not apply to this limited warranty or the sale of products covered by this limited warranty.

### GENERAL

Amantii reserves the right to make changes at any time without notice, in design, material, specifications, prices and the right to discontinue styles and products.

### GLASS

This limited warranty does not apply to the following glass products:

Model Type	Tray Glass	Front Glass	Back Glass
Panorama /Symmetry	✓	✓	✓
Wall Mount/ Insert	✓		
Traditional	✓		
Zero Clearance/ FS	✓		
Freestand	✓		

### EXCLUSION OF BATTERIES

Ocean carriers have set new rules designed to protect the safety of shipments while in transit. This new rule disallows the inclusion of lithium/alkaline batteries, as a result we will no longer be including batteries with the fireplace remote.

### REPLACEMENT MOTORS

With the reliability of the components used in the construction of our electric fireplaces, a complimentary replacement motor will no longer be included inside the carton containing the fireplace.