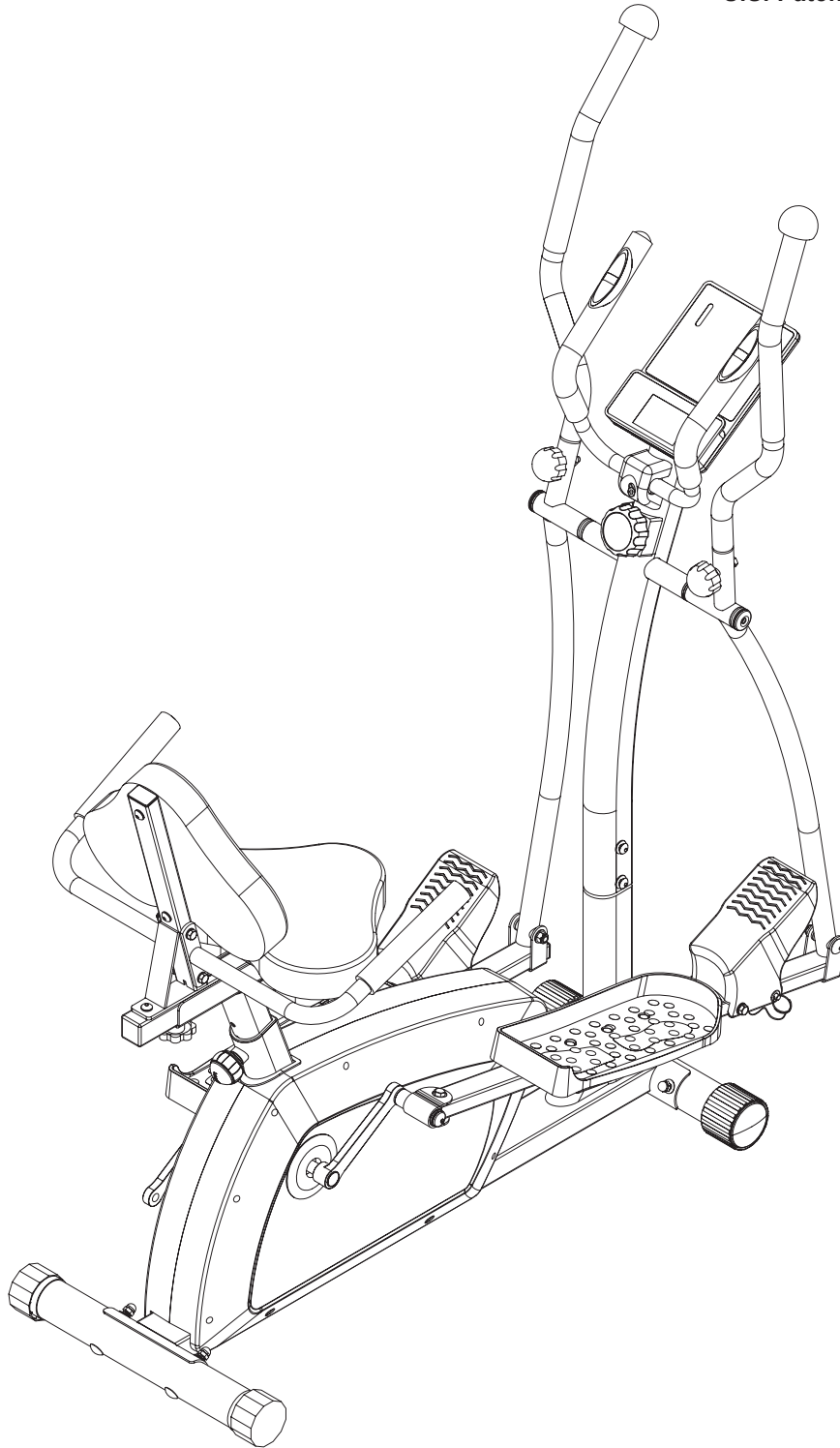




# BRT1875 BRT2885 *TRIO-TRAINER*®

U.S. Patent number US9474925B1



This product is intended for indoor, home use only and is not to be used in a commercial setting.

## OWNER'S MANUAL

This Page Intentionally Left Blank

**PLEASE KEEP THESE INSTRUCTIONS FOR FUTURE USE & REFERENCE.  
DO NOT DISCARD.**

**WARNING: SERIOUS INJURIES AND EVEN DEATH CAN OCCUR IF THE PROPER SAFETY PRECAUTIONS ARE NOT FOLLOWED.**

The diagram below highlights and reviews many of the important Safety and Warning labels also found on the unit. Please ensure any user of the unit familiarizes themselves with this Safety and Warning guidelines before use.

**⚠ WARNING !**

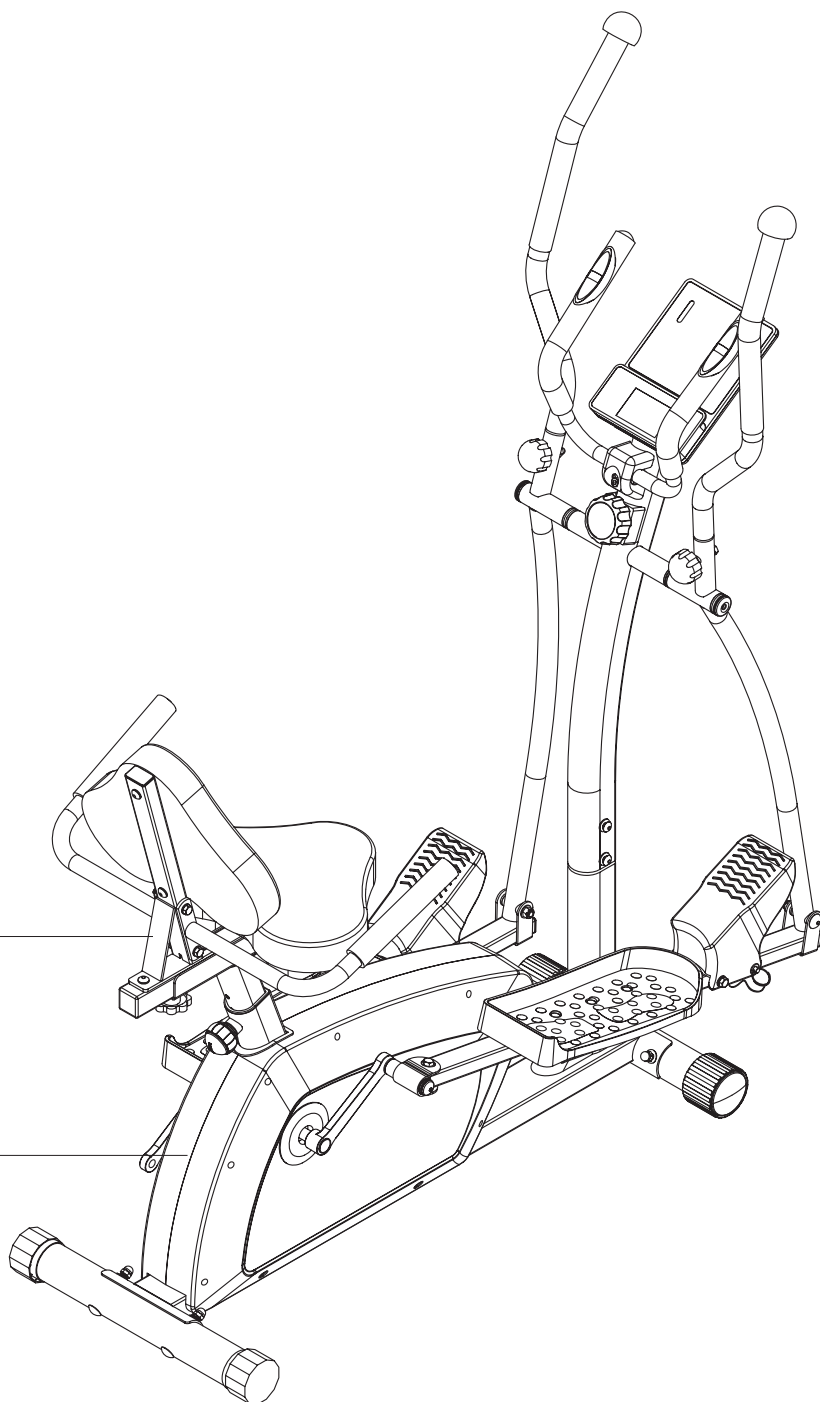
**DO NOT REMOVE THE SEAT FOR ANY REASON**

Exercising on this unit without the seat installed can result in **SERIOUS INJURY**. Ensure the seat is fully locked in place by tightening the knobs prior to use.

**⚠ WARNING !**

The use of this exercise equipment involves a **RISK OF PHYSICAL INJURY** as well as property damage, which can be minimized by observing the following guidelines:

1. **ALWAYS** wear comfortable clothing and shoes with good traction.
2. **ALWAYS** make sure all nuts and bolts are secured before use. **TIGHTEN PEDAL HINGE BOLTS EVERY 30 DAYS.**
3. **STOP EXERCISING** if you become dizzy, nauseous, have irregular hearbeats or breathing difficulties. Contact your physician immediately.
4. **ALWAYS** keep a large mat under the equipment to protect the floor or carpet.
5. **ALWAYS** use your equipment in a warm, dry, level, well-lit and ventilated indoor area.
6. **ALWAYS** keep body and clothing free and clear of moving parts.
7. **ALWAYS** keep your equipment clean and free of dust, moisture, debris and loose objects.
8. **NEVER** use the equipment if you are injured or have a physical condition that impairs your balance. **DO NOT** exercise under the influence of medication or alcohol.
9. Keep all children away from this equipment. **NEVER** allow small children or pets to approach the equipment. It is not a toy.
10. **NEVER** use the equipment if you exceed its weight limit of 250 lbs.
11. **NEVER** use the equipment if it does not function properly.
12. This equipment meets ASTM F1749 standards for fitness equipment.
13. Refer to the Owner's Manual for additional warnings and safety information.
14. The possibility of serious injuries or death, or both, (if applicable) if caution is not used.



# General Information

---

## Safety

Before you undertake any exercise program, please be sure to consult with your doctor.

Frequent strenuous exercise should be approved by your doctor and proper use of your product is essential.

Excessive or incorrect training may result in health injuries.

Please read this manual carefully before commencing the assembly of your product or starting to exercise.

- Please keep all children away from this item when in use. Do not allow children to climb or play on this item when it is not in use.
- Supervise teenagers while they use this unit.
- For your own safety, always ensure that there are at least 3 feet of free space in all directions around your product while you are exercising.
- Regularly check to see that all nuts, bolts and fittings are securely tightened. Periodically check all moving parts for obvious signs of wear or damage.
- Any adjustment devices that could interfere with the user's movement of this unit should not be left projecting.
- Clean only with a damp cloth, do not use solvent cleaners. Lubricate the moving parts of your unit every 30 days with a silicone-based grease or product. If you are in any doubt, do not use your product; contact CUSTOMER SUPPORT.
- Before use, always ensure that your product is positioned on a solid, hard-flat surface.
- Do not place on carpet. If necessary, use a rubber mat underneath to reduce the possibility of slipping.
- Always wear appropriate clothing and footwear such as training shoes when exercising. Do not wear loose clothing that could become caught in moving parts during exercise.
- Do not use this unit if it is not functioning properly or if it is not fully assembled.
- Do not use this unit for commercial purposes. This unit is for home use only.
- Before use, you must read and understand all instructions & warnings stated in this Owner's Manual as well as posted on the equipment.
- It is the facility owner's responsibility to properly instruct users on the proper operation of the equipment and to warn them of the potential hazards.
- If at any time during exercise you feel faint, dizzy or experience pain, stop and consult your physician.

## Assembling Tools

- Ruler with both Metric and English measurements
- 2 x Adjustable Wrenches
- 1 x Philips ("Crosshead") Screw Driver

## Weight Limit

Your product is suitable for users weighing:  
250 pounds or less

## Storage and Use

Your product is intended for use in clean dry conditions. You should avoid storage in excessively cold or damp places as this may lead to corrosion and other related problems.

## Warranty

Body Flex Sport warrants your product is free of any defects in workmanship and materials for a period of 1 year for the frame and 90 days on all parts if the item is used for the intended purpose, properly maintained and not used commercially.

Any alterations or incorrect assembly of the product will void this warranty.

Proof of purchase must be presented for any warranty validation (no exceptions). This warranty applies to the original purchaser only and is not transferable.

This warranty covers parts damaged due to defect in workmanship and materials; it does not cover abuse or damages caused during use, storage or assembly. During the warranty period, Body Flex Sport reserves the right to:

1. provide replacement parts to the purchaser in an effort to repair the item.
2. repair the product returned to our warehouse (at purchaser's cost).
3. replace the product if neither of the two previously

## Questions

If you have any questions concerning the assembly of your item or if any parts are missing, please **DO NOT RETURN THE ITEM TO THE STORE OR CONTACT THE RETAILER.**

Our dedicated customer service staff can help you with any questions you may have regarding the assembly of this unit and can also mail you replacement parts.

## Customer Support

Customer Support is open 9:00 a.m. to 5:00 p.m. (Pacific Time) Monday through Friday.

Please contact us by any of the following means :

**Body Flex Sports, Inc.**  
21717 Ferrero Parkway, Walnut, CA 91789  
Telephone: 1 (888) 266 - 6789  
Fax: 1 (909) 598 - 6707  
Email: [infor@bodyflexsports.com](mailto:infor@bodyflexsports.com)

# Before Assembly

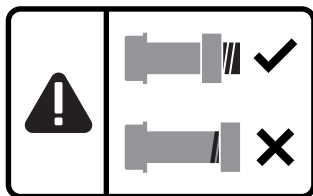
## WARNING

1. Take a few minutes to familiarize yourself with the parts and hardware included with your product.
2. The assembly may require two people.
3. Check the frame for any damage and check any wiring (if present) for rips or tears. If you detect damage, rips, or tears, please contact our Customer Support Team before beginning any assembly.
4. Make sure all the hardware needed is included.
5. It is very important to follow the assembly instructions correctly and to make sure all parts are attached correctly and firmly tightened when the assembly process is complete.
6. Parts that are not tightened correctly will seem loose and can cause irritating noises and will cause damage to the equipment.

**PLEASE NOTE** : Many of the parts and hardwares listed on the parts list are already pre-assembled or installed on the unit.

## Nylon Lock Safety Nuts

1. It is only necessary to tighten the bolts and nuts to “finger tight” during the assembly process. This will make it easier to complete certain steps by allowing more tolerance for all the parts to fit properly.
2. Do not tighten all the nuts onto the bolts securely until after you have completed assembly of your product.
3. Use wrenches, pliers, or ratchet and sockets to tighten the bolts and nuts.
4. The Nylon Nut should thread onto the Hex Bolt until the end of the Hex Bolt has passed through the Nylon insert inside the Nut. Please follow this guideline every time you see this *Nylon Nut icon* throughout the assembly steps.



## Tools Required For Assembly

Tool	Description/Purpose
Ruler (with both Metric and English measurements) QTY: 1	Use to measure the length or size of hardware including bolts to ensure you are using the correct part.
Adjustable or flat wrenches QTY: 2	Use to securely install parts including nuts and bolts.

# Part Listing

The following parts list describes all of the parts illustrated in the exploded diagram on the following page.

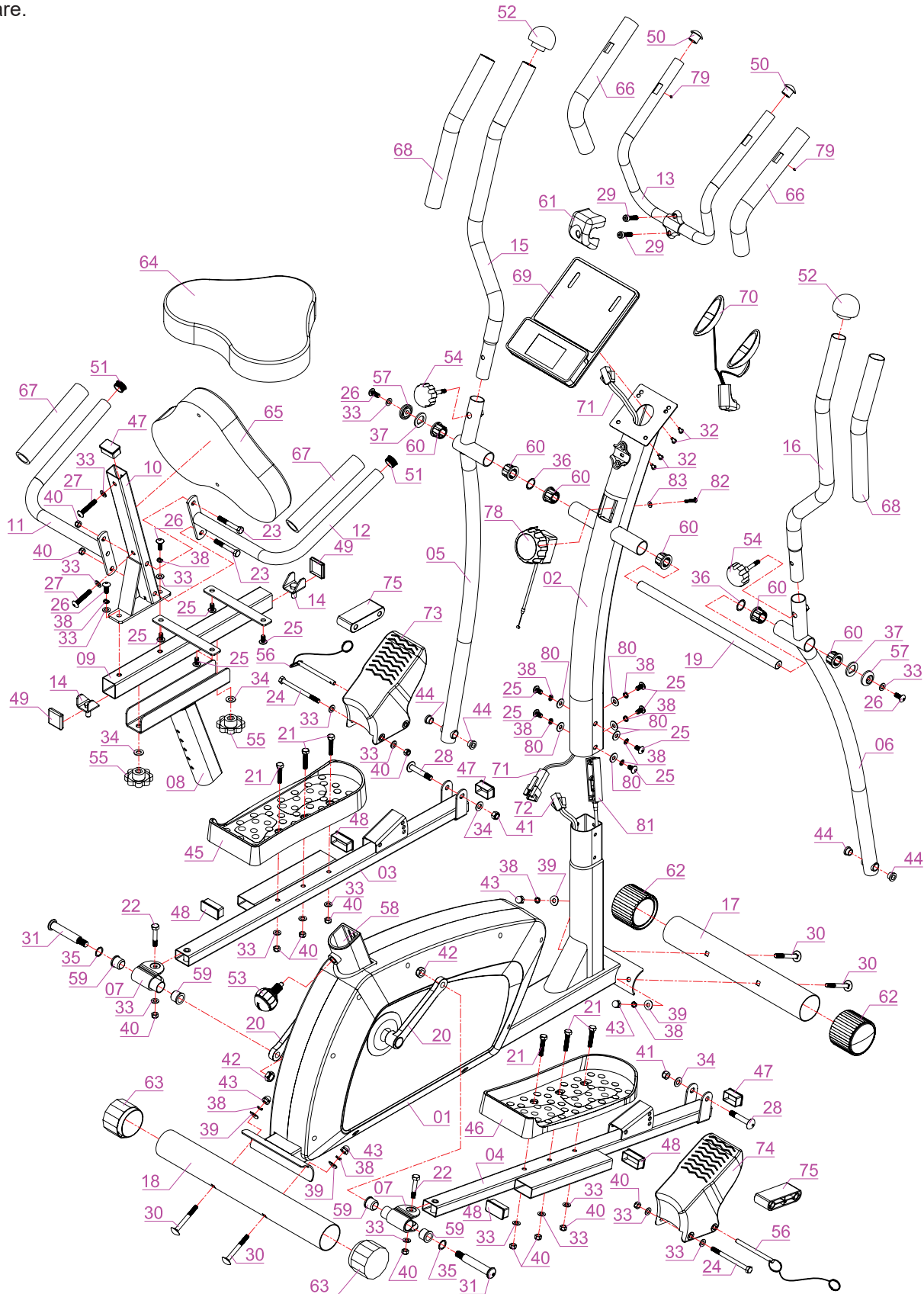
**PLEASE NOTE** most of these parts are already pre-assembled on your unit.

# Description	# Description
01 Main Frame	43 Cap Nut (M8)
02 Center Post	44 Bushing
03 Left Pedal Tube	45 Left Pedal
04 Right Pedal Tube	46 Right Pedal
05 Left Coupler Bar	47 Rectangular End Cap (25x40 mm)
06 Right Coupler Bar	48 Rectangular End Cap (25x50 mm)
07 Pedal Connection Joint	49 Square End Cap (38 mm)
08 Seat Post	50 Round Cap (22 mm)
09 Seat Cushion Frame	51 Round Cap (25 mm)
10 Backrest Cushion Frame	52 Round Cap (30 mm)
11 Left Rear Handle Bar	53 Spring Loaded Knob (M16)
12 Right Rear Handle Bar	54 Knob Bolt (M8)
13 Pulse Handle Bar	55 Lock Knob (M10)
14 U Bracket	56 Pop-pin (Ø8)
15 Left Handle Bar	57 Round Cap
16 Right Handle Bar	58 Sleeve
17 Front Stabilizer	59 Plastic Bushing (Ø25 mm)
18 Rear Stabilizer	60 Plastic Bushing (Ø32 mm)
19 Axle	61 Pulse Handle Bar Cover
20 Crank	62 End Cap for Front Stabilizer
21 Hex Bolt (M8x40 mm)	63 End Cap for Rear Stabilizer
22 Hex Bolt (M8x45 mm)	64 Seat Cushion
23 Hex Bolt (M8x60 mm)	65 Backrest Cushion
24 Hex Bolt (M8x105 mm)	66 Foam Grip for Pulse Handle Bar
25 Bolt (M8x15 mm)	67 Foam Grip for Rear Handle Bar
26 Bolt (M8x20 mm)	68 Foam Grip for Handle Bar
27 Bolt (M8x45 mm)	69 Monitor
28 Bolt (M10x58 mm)	70 Hand Pulse
29 Bolt (M8x30 mm)	71 Main Sensor Wire (Upper)
30 Carriage Bolt (M8x70 mm)	72 Main Sensor Wire (Lower)
31 Pedal Hinge Bolt (1/2"x97 mm)	73 Left Foot Pedal
32 Screw (M5x12 mm)	74 Right Foot Pedal
33 Washer (M8)	75 Mat
34 Washer (M10)	76 Tool 1
35 Wavy Washer (Ø16 mm)	77 Tool 2
36 Wavy Washer (Ø19 mm)	78 Tension Controller
37 D Shape Washer	79 Screw (M5x25 mm)
38 Spring Washer (M8)	80 Big Washer (M8)
39 Arc Washer (M8)	81 Tension Controller Cable
40 Nylon Nut (M8)	82 Screw (M5x30 mm)
41 Nylon Nut (M10)	83 Washer (M5)
42 Nylon Nut (1/2")	

# Exploded View

The following diagram is provided to help you familiarize yourself with the parts and hardware that will be used during the assembly process.

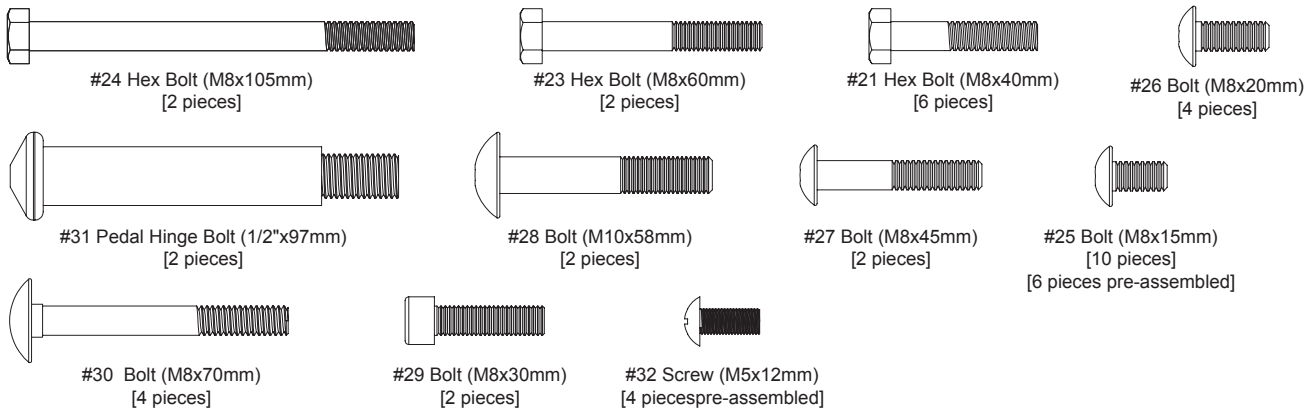
**PLEASE NOTE** : Not all of the parts and hardware you see here will be used while you are assembling the machine because some of these items are already pre-installed. Please use this page only as a reference guide for parts and hardware.



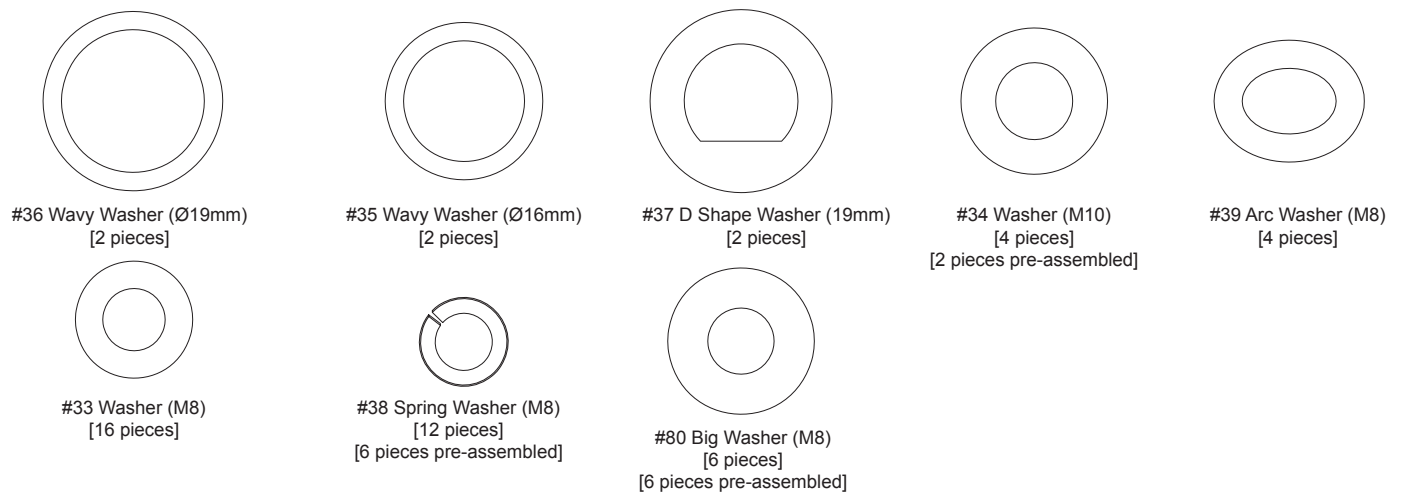
# Hardware and Tool List

The following hardware is used to assemble your unit. Please take a moment to familiarize yourself with these items.  
**PLEASE NOTE** Most of these parts are already *pre-assembled* on your unit. Do not be alarmed if you see parts on this page that are not included in your hardware packet.

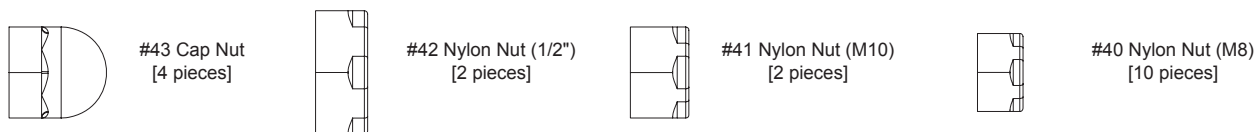
## Bolts



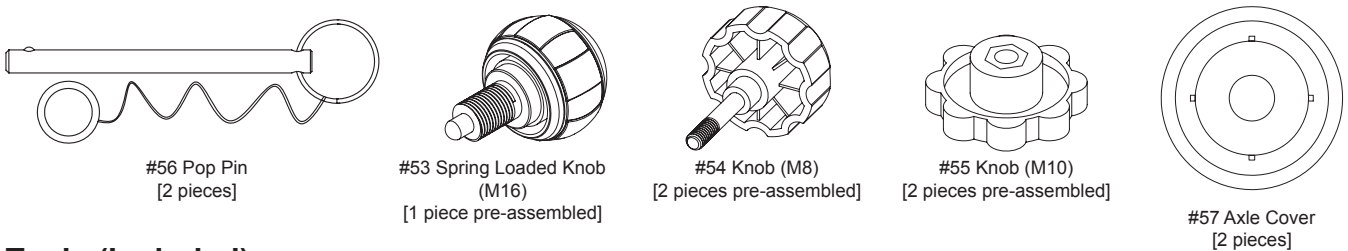
## Washers



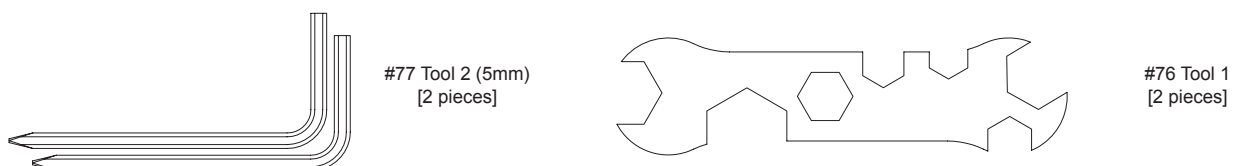
## Nuts



## Others



## Tools (Included)





# Assembly STEP 1

**NOTE BEFORE STARTING THE ASSEMBLY PROCESS :**  
To avoid misalignment due to over-tightening, please do not use a wrench and use only hand-tightening for now to ensure easy assembly.

Wrench-tightening should be performed after all parts are assembled to ensure all nuts, bolts, and parts are tightly secured before use.

## REAR STABILIZER ASSEMBLY

Secure the Rear Stabilizer (#18) to the Main Frame (#01) using two Carriage Bolts (#30) followed by two Arc Washers (#39), two Spring Washers (#38), and two Cap Nuts (#43).

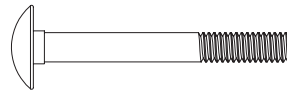
## FRONT STABILIZER ASSEMBLY

Secure the Front Stabilizer (#17) to the Main Frame (#01) using two Carriage Bolts (#30) followed by two Arc Washers (#39), two Spring Washers (#38), and two Cap Nuts (#43).

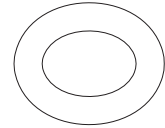
### Note:

Please Note that the Front Stabilizer (#17) has end caps that spin for ease of relocating the unit.

## Hardware Required



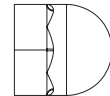
#30 Carriage Bolt (M8x70mm)  
[4 pieces]



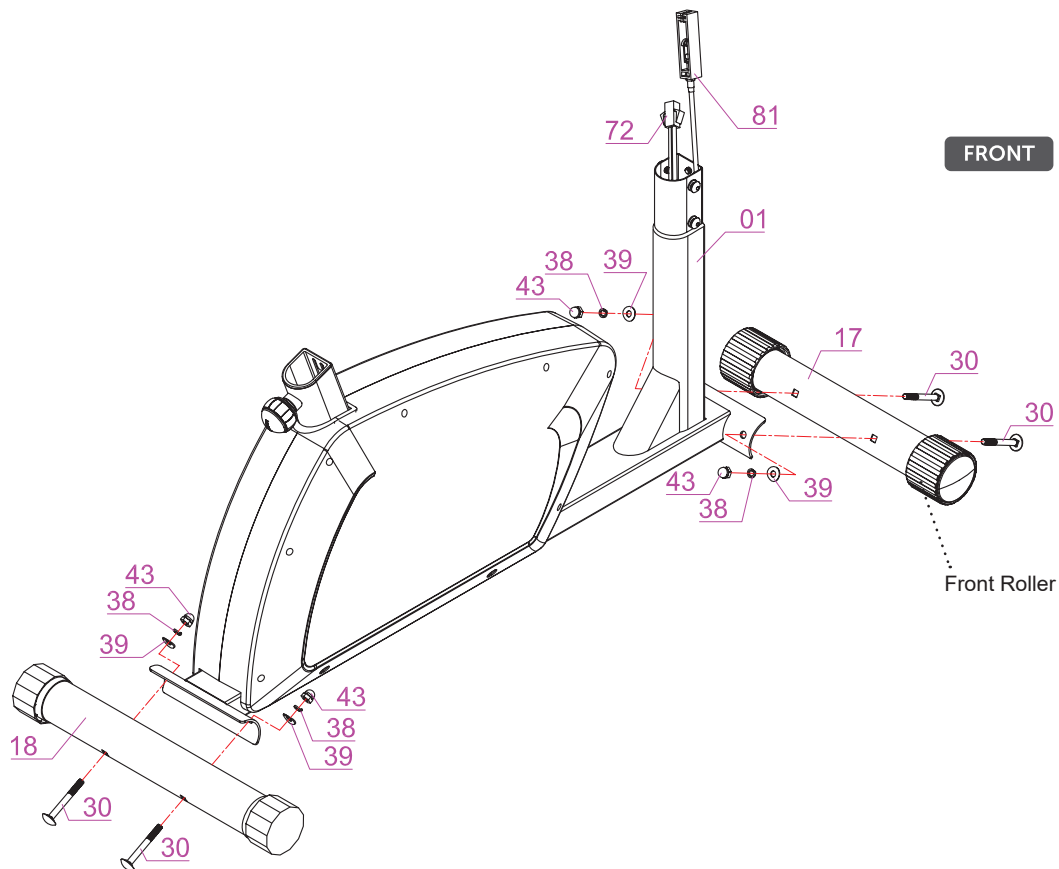
#39 Arc Washer (M8)  
[4 pieces]



#38 Spring Washer (M8)  
[4 pieces]



#43 Cap Nut  
[4 pieces]



# Assembly STEP 2

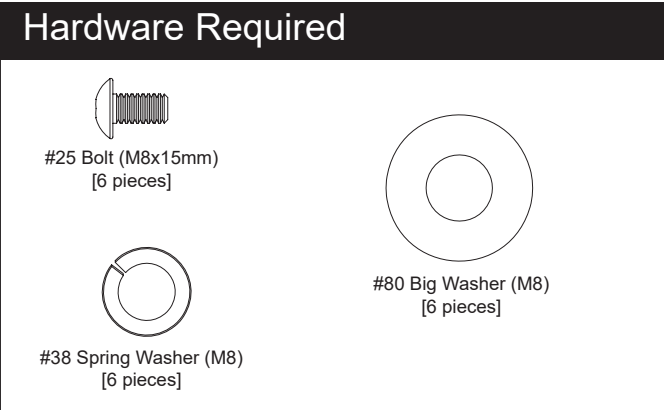
Connect the **Main Sensor Wire (Lower)(#72)** to the **Main Sensor Wire (Upper) (#71)**.

Then connect the **Tension Controller Cable (#81)** to the cable of **Tension Controller (#78)**.

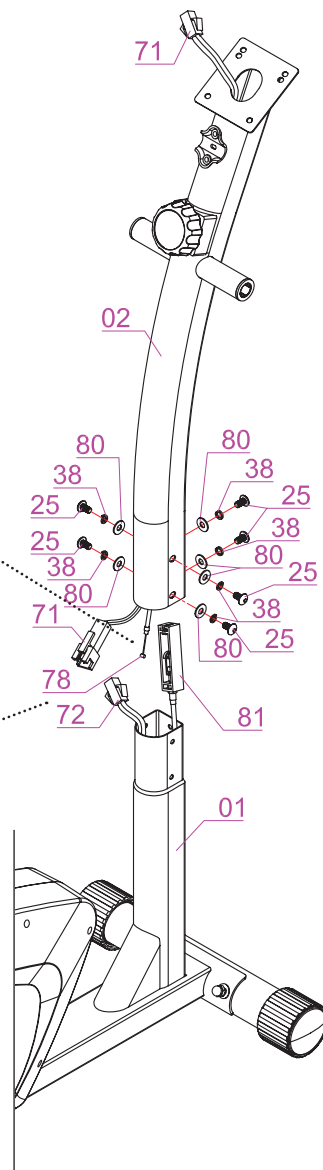
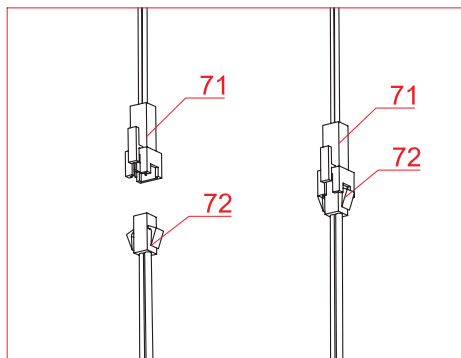
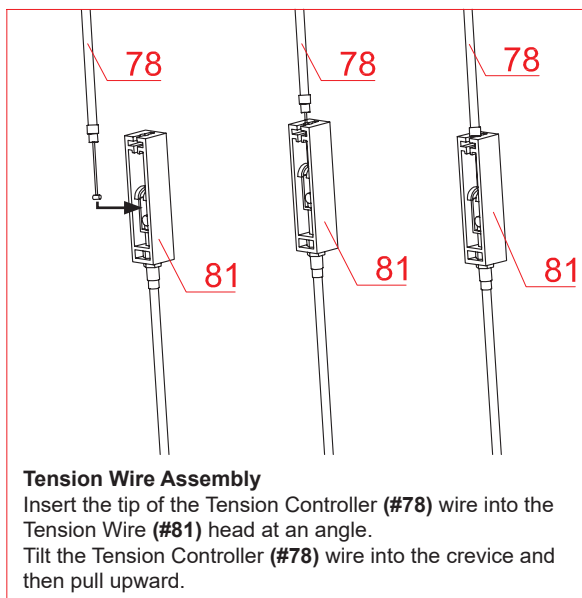
Remove the **Bolts (#25)**, **Spring Washers (#38)** and **Big Washers (#80)** that are pre-assembled on the **Main Frame (#01)** and set them aside as they will be used later in this step.

Being careful not to pinch any wires, slide the **Center Post (#02)** onto the **Main Frame (#01)** and secure it using the previously removed six **Bolts (#25)**, six **Spring Washers (#38)**, and six **Big Washers (#80)** as shown in drawing below.

### Hardware Required



- #25 Bolt (M8x15mm) [6 pieces]
- #38 Spring Washer (M8) [6 pieces]
- #80 Big Washer (M8) [6 pieces]



FRONT

# Assembly STEP 3

Referring to the drawing below, insert the **Axle (#19)** through the horizontal stems on the **Center Post (#02)**. Then, on the left side of the **Axle (#19)** -- in the following order, slide on: one **Wavy Washer (#36)** followed by the **Left Coupler Bar (#05)**, one **D Shape Washer (#37)**, one **Round Cap (#57)**, one **Washer (#33)**, and secure using one **Bolt (#26)**.

On the opposite side of the **Axle (#19)**, assemble -- in the following order: one **Wavy Washer (#36)** followed by the **Right Coupler Bar (#06)**, one **D Shape Washer (#37)**, one **Round Cap (#57)**, one **Washer (#33)**, and secure using one **Bolt (#26)**.

Attach the **Right Pedal Tube (#04)** onto the **Crank (#20)** as illustrated and secure by inserting from the outer edge of the **Right Pedal Tube (#04)**, one **Pedal Hinge Bolt (#31)** and one **Wavy Washer (#35)**. Secure from the inner edge (behind the **Crank(#20)**) with one **Nylon Nut (#42)**.

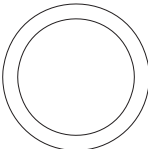
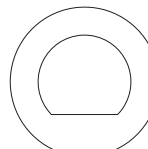
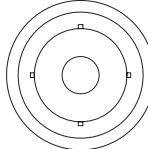
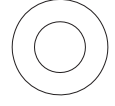
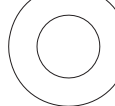
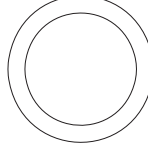
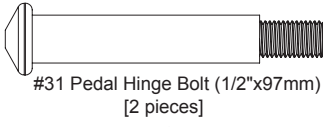
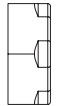
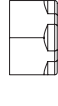

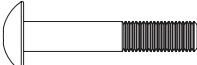
**\*\*\* PLEASE DO NOT tighten the hardware until steps below have been completed. This will allow you to align the holes for proper and smooth assembly.\*\*\***

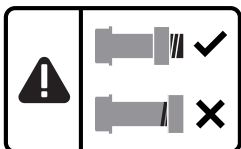
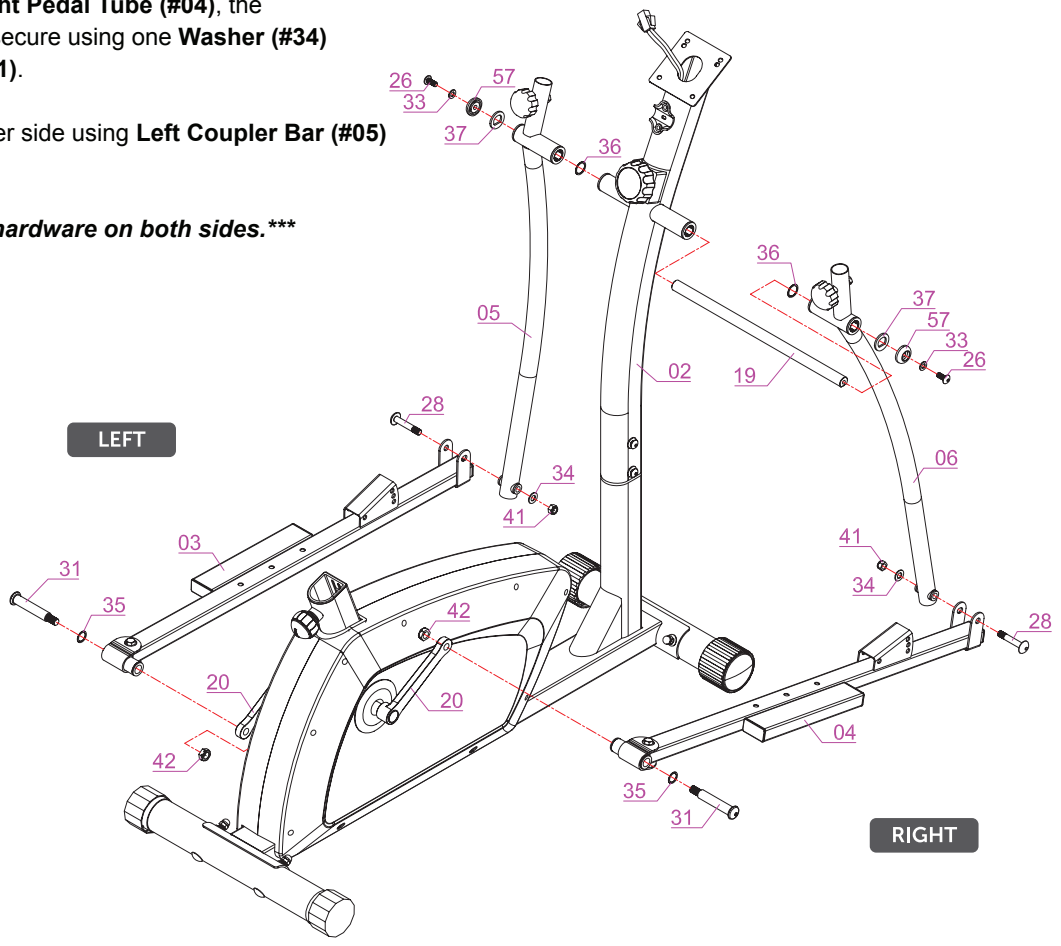
Repeat this process on the other side using the **Left Pedal Tube (#03)**. Using the drawings as a reference, attach the free end of the bottom of the **Right Coupler Bar (#06)** to the front of the **Right Pedal Tube (#04)** by aligning the holes. After the holes are aligned, insert one **Bolt (#28)** through the **Right Pedal Tube (#04)**, the **Right Coupler Bar (#06)** and secure using one **Washer (#34)** followed by one **Nylon Nut (#41)**.

Repeat this process on the other side using **Left Coupler Bar (#05)** and **Left Pedal Tube (#03)**.

**\*\*NOW, you may tighten the hardware on both sides.\*\***

### Hardware Required

		
#36 Wavy Washer (Ø19mm) [2 pieces]	#37 D Shape Washer (19mm) [2 pieces]	#57 Axle Cover [2 pieces]
		
#33 Washer (M8) [2 pieces]	#34 Washer (M10) [2 pieces]	#35 Wavy Washer (Ø16mm) [2 pieces]
		
#31 Pedal Hinge Bolt (1/2"x97mm) [2 pieces]	#42 Nylon Nut (1/2") [2 pieces]	#41 Nylon Nut (M10) [2 pieces]
		
#26 Bolt (M8x20mm) [2 pieces]	#28 Bolt (M10x58mm) [2 pieces]	



# Assembly STEP 4

Attach the **Left/Right Pedals (#45/#46)** onto the **Left/Right Pedal Tubes (#03/#04)** as shown in the drawing below using a total of six **Hex Bolts (#21)**, six **Washers (#33)**, and six **Nylon Nuts (#40)**.

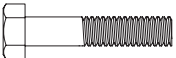
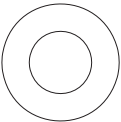

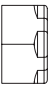
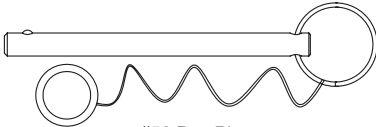
On the left side, attach the **Left Foot Pedal (#73)** to the front of **Left Pedal Tube (#03)** using one **Hex Bolt (#24)** through one **Washer (#33)** and **Pop Pin (#56)** safety ring and secure with one **Washers (#33)** and one **Nylon Nut (#40)**.

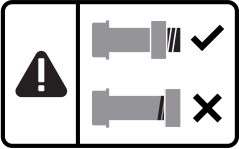
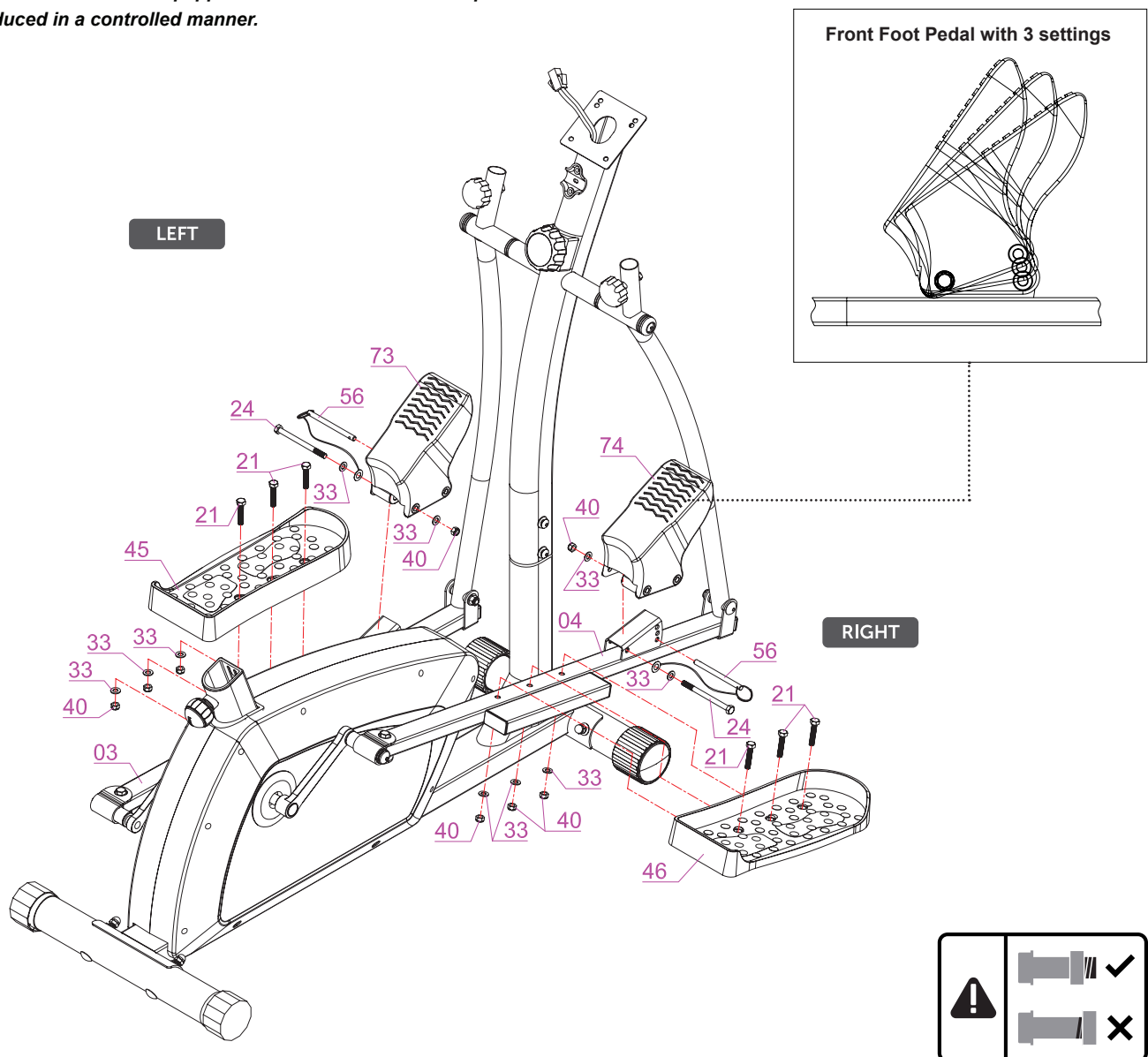
Then insert a **Pop-pin (#56)** into the front hole of the **Left Foot Pedal (#73)**.

Repeat this process on the other side.

**Note: Care should be used when mounting or dismounting the machine. Before mounting or dismounting, move the pedal on the mounting or dismounting side to its lowest position and bring the machine to a complete stop. This unit is not equipped with a free-wheel. Pedal speed should be reduced in a controlled manner.**

### Hardware Required

	
#21 Hex Bolt (M8x40mm) [6 pieces]	#33 Washer (M8) [10 pieces]
	
#24 Hex Bolt (M8x105mm) [2 pieces]	#40 Nylon Nut (M8) [8 pieces]
	
#56 Pop Pin [2 pieces]	



# Assembly STEP 5

Please remove the two **Knob Bolts (#54)** that are pre-assembled on the **Left/Right Coupler Bars (#05/#06)**.

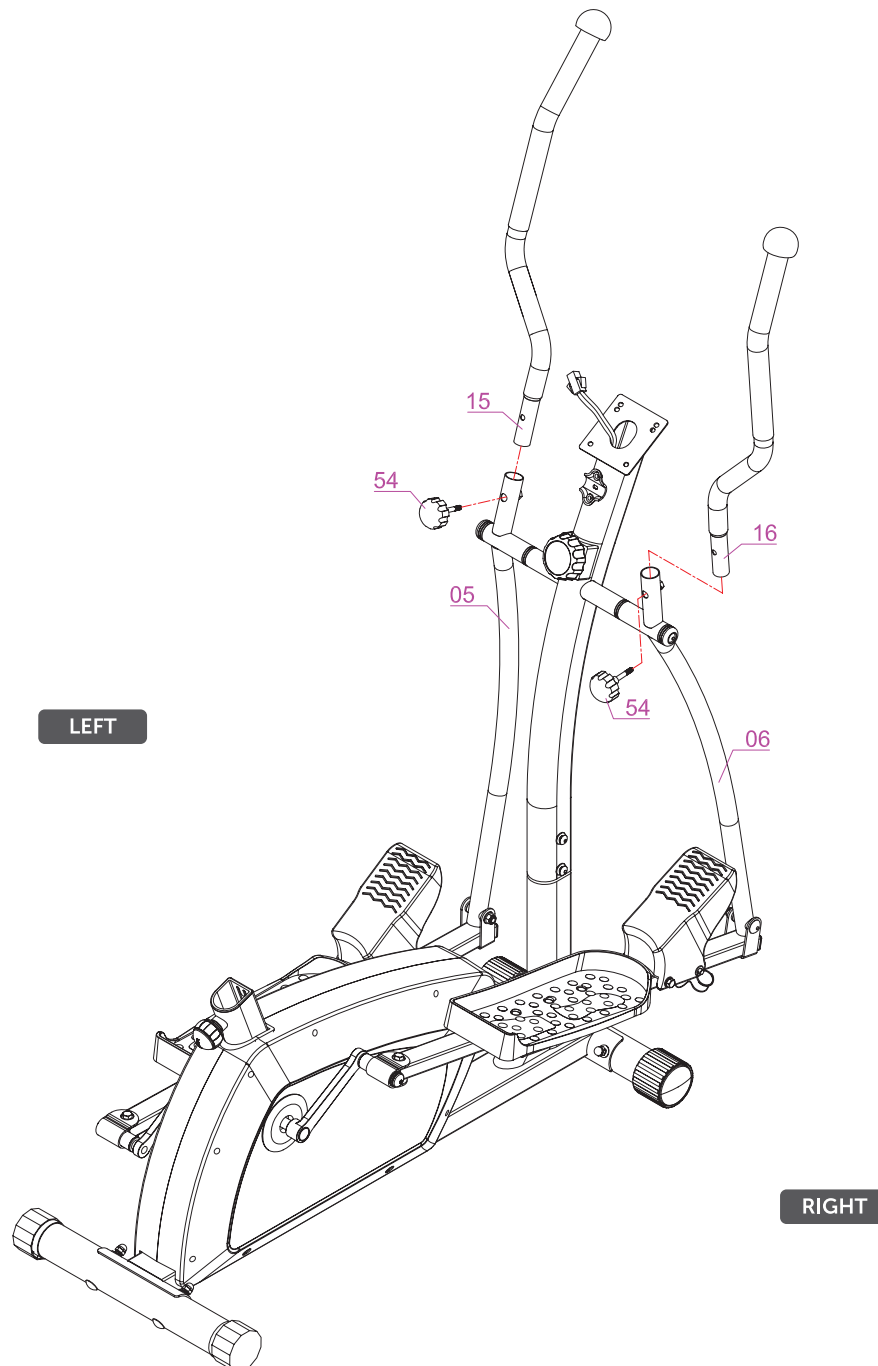
On the left side, insert **Left Handle Bar (#15)** into the opening at the tip of **Left Coupler Bar (#05)**. Align the holes of the **Left Handle Bar (#15)** and **Left Coupler Bar (#05)** and secure by using one **Knob Bolt (#54)** through.

Repeat this process on the other side using **Right Handle Bar (#16)** and **Right Coupler Bar (#06)**.

## Hardware Required



#54 Knob (M8)  
[2 pieces]



# Assembly STEP 6

## A. PULSE HANDLEBAR


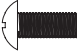
Install the **Pulse Handle Bar (#13)** on the rear side of the **Center Post (#02)** as shown in the illustration below using two **Bolts (#29)**. Please ensure the wire of the **Handle Pulse (#70)** is free and clear, avoiding pinching it during this assembly step. You will need to connect this wire to the **Monitor (#69)** later.

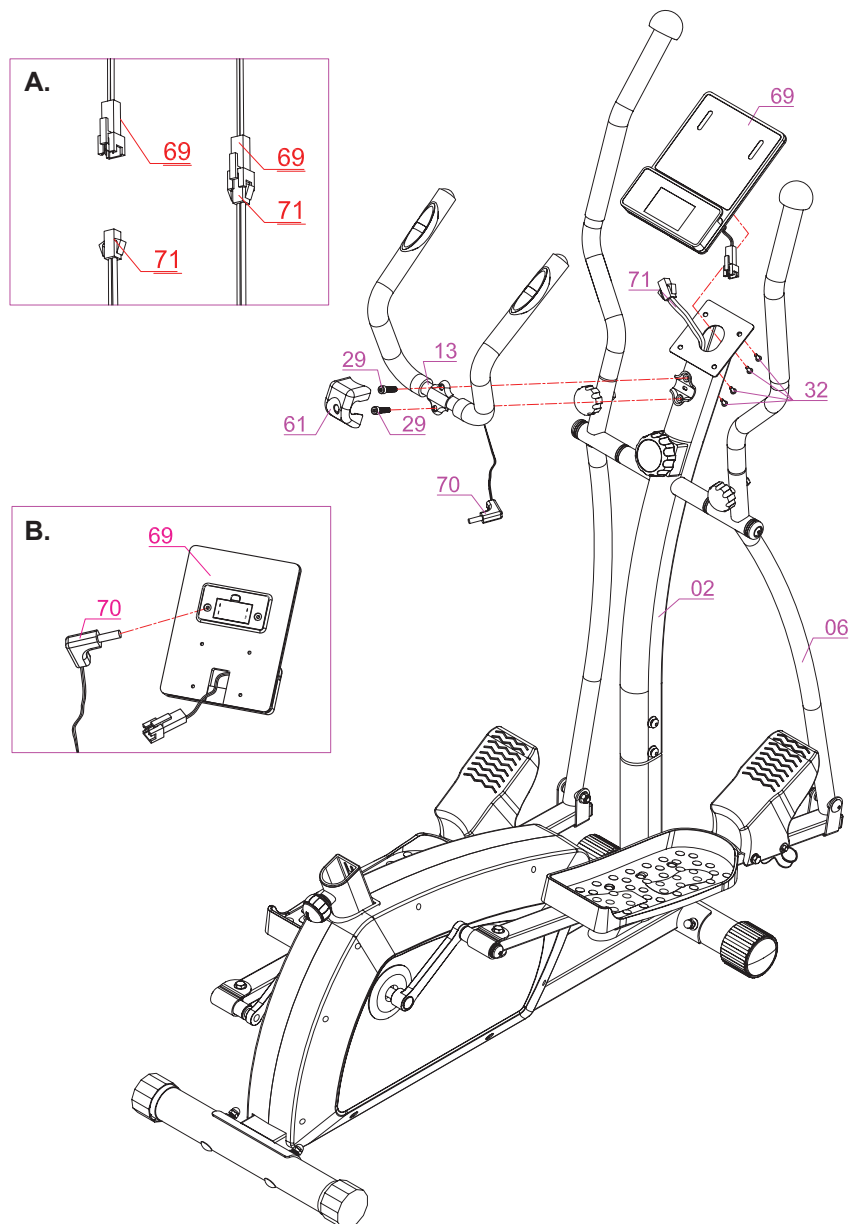
## B. COMPUTER

Remove the four **Screws (#32)** that are pre-assembled on the **Monitor (#69)**. Set them aside as they will be used later in this process. With the help of an assistant, connect the **Main Sensor Wire (#71)** to the corresponding wire on the **Monitor (#69)**(diagram A).

Connect the end of **Hand Pulse (#70)** to the **Monitor (#69)** by inserting it into the back socket as illustrated below (diagram B). Being careful not to pinch/damage any of the wires, attach the **Monitor (#69)** to the bracket on the **Center Post (#02)** by using the four **Screws (#32)** that were previously removed.

### Hardware Required

	
#29 Bolt (M8x30mm) [2 pieces]	#32 Screw (M5x12mm) [4 pieces]



# Assembly STEP 7

Start with loosening the pre-assembled **Spring Loaded Knob (#53)** and pull back slightly on it so that you may proceed to insert the **Seat Post (#08)** into the opening of the post that is protruding from the **Main Frame (#01)** down a minimum of four inches so that the corresponding holes can engage. Screw in the **Spring Loaded Knob (#53)** through the **Main Frame (#01)** and then through any one of the holes located on the **Seat Post (#08)**.

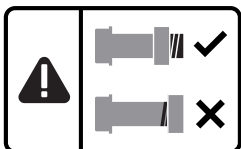
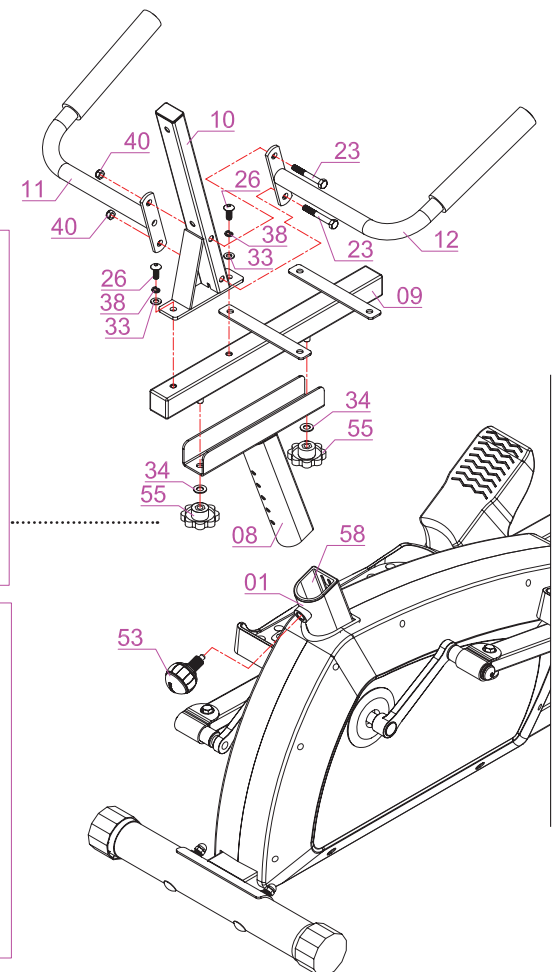
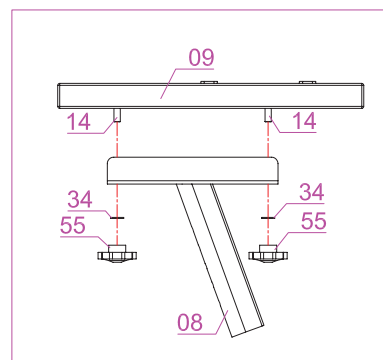
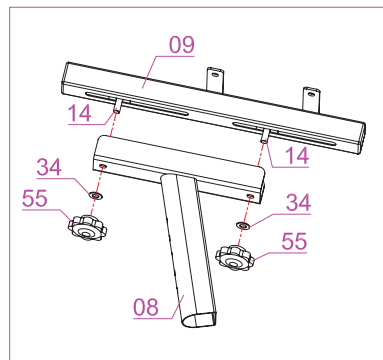
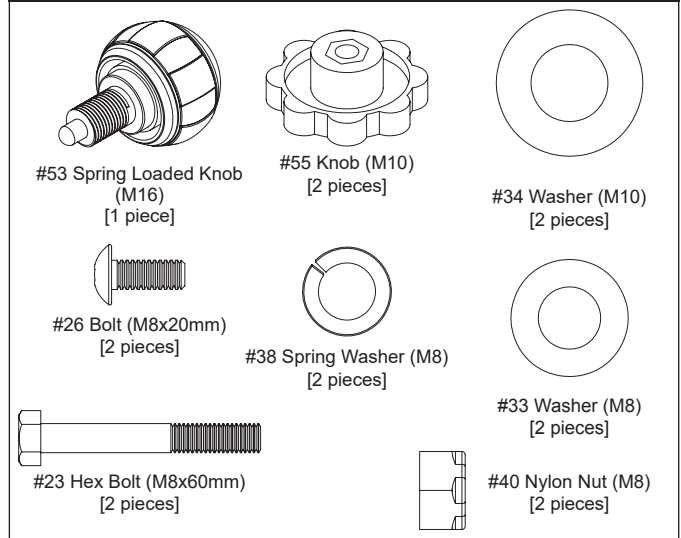
**Note:** The **Spring Loaded Knob (#53)** has a safety feature that allows you to loosen it by turning it counter-clockwise three times as you pull it outward. This knob can be loosened to adjust the seat height. Adjust the seat height and then release the knob back in. Tighten the knob by turning clockwise.

Remove the two **Lock Knobs (#55)** and two **Washers (#34)** that are pre-assembled on the **Seat Cushion Frame (#09)**. Slide the **Seat Cushion Frame (#09)** onto the trough of the **Seat Post (#08)** as shown below. Secure using two **Lock Knobs (#55)** through two **Washers (#34)**.

Attach **Backrest Cushion Frame (#10)** to the **Seat Cushion Frame (#09)** and secure by using two **Bolts (#26)**, two **Spring Washers (#38)**, two **Washers (#33)**.

With the help of an assistant, align the four of the **Left Rear Handle Bar (#11)** and **Right Rear Handle Bar (#12)** to the holes on the **Backrest Cushion Frame (#10)** and secure all using the two **Hex Bolts (#23)** and two **Nylon Nuts (#40)**.

## Hardware Required



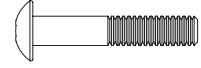
# Assembly STEP 8

Attach the **Seat Cushion (#64)** to the horizontal bar of the **Seat Cushion Frame (#09)** and secure from the bottom using four **Bolts (#25)**. Then, attach the **Backrest Cushion (#65)** to the **Backrest Cushion Frame (#10)** and secure using two **Bolts (#27)** through two **Washers (#33)**.

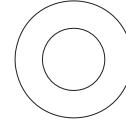
## Hardware Required



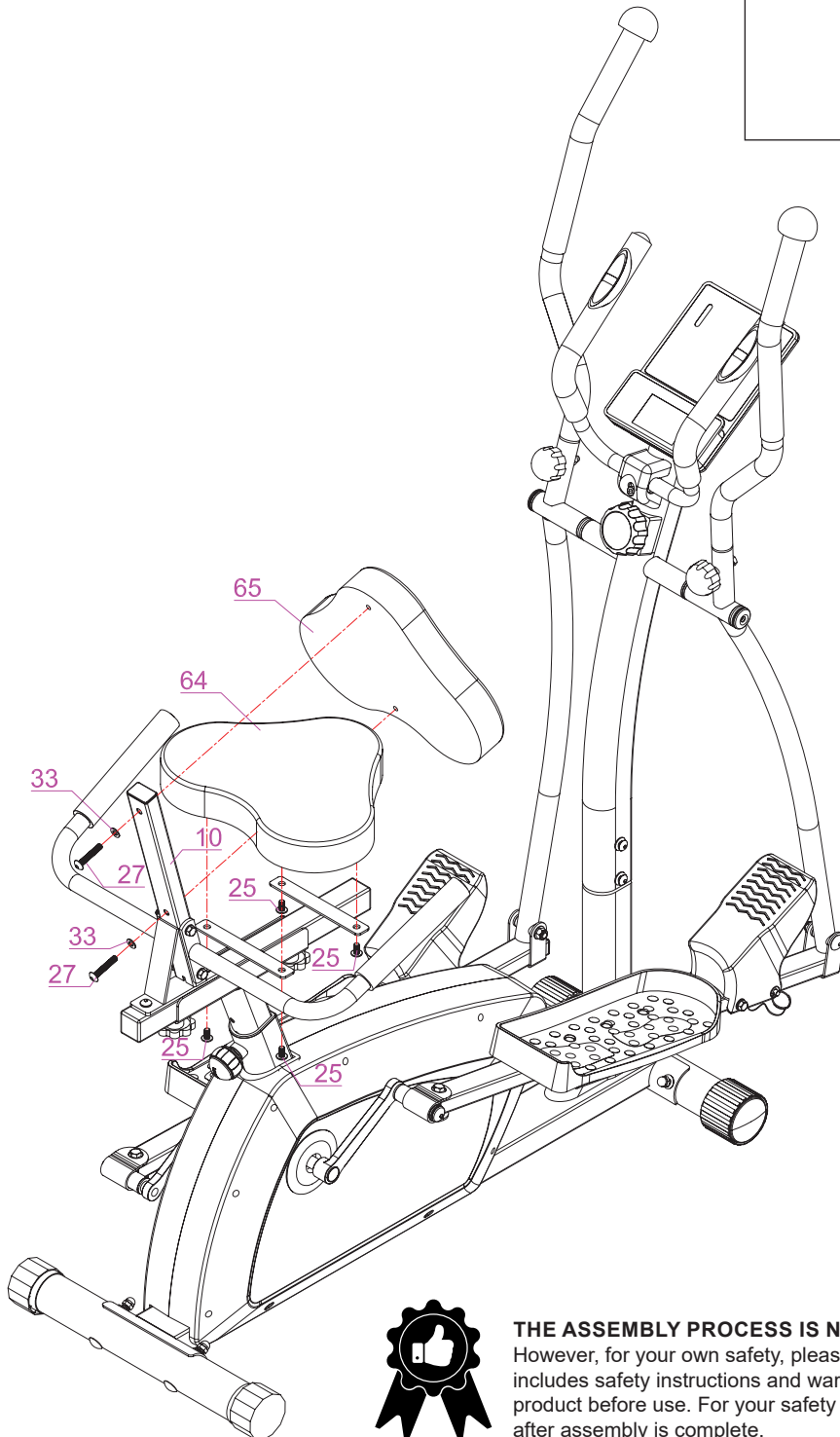
#25 Bolt (M8x15mm)  
[4 pieces]



#27 Bolt (M8x45mm)  
[2 pieces]



#33 Washer (M8)  
[2 pieces]



### THE ASSEMBLY PROCESS IS NOW COMPLETE.

However, for your own safety, please make sure to read this entire Owner's Manual which includes safety instructions and warnings, as well as any safety/warning labels affixed to the product before use. For your safety, please visually and functionally inspect and test the unit after assembly is complete.



# Computer Operation



## Key Function

### MODE :

Press this button to select the display function of your choice.

### RESET :

Hold MODE button for 3 seconds to reset all value to zero.

### UP DOWN :

Press UP DOWN to set workout level

## Operation Procedures

### FUNCTIONS

- SCAN** : The monitor will then rotate displaying through the following functions: time, speed, distance, calories and odometer. Each function will display for 5 seconds.
- TIME** : Displays the total amount of time using the machine.
- SPEED** : Displays current speed.
- DISTANCE** : Displays the distance traveled.
- CALORIES** : Displays the amount of calories burned.
- ODOMETER** : Displays total accumulated distance.
- PULSE** : Hold the pulse sensor 6-7 seconds and read your heart rate per minute.

### NOTE

1. If the display is faint or shows no figures, please replace the batteries.
2. The monitor will automatically shut off if there is no signal received after 4 minutes.
3. The monitor will auto-power on when exercise and/or motion input is detected.
4. The monitor will automatically start calculating when you start to exercise and will stop calculating when you stop exercising for 4 minutes.

## Specifications

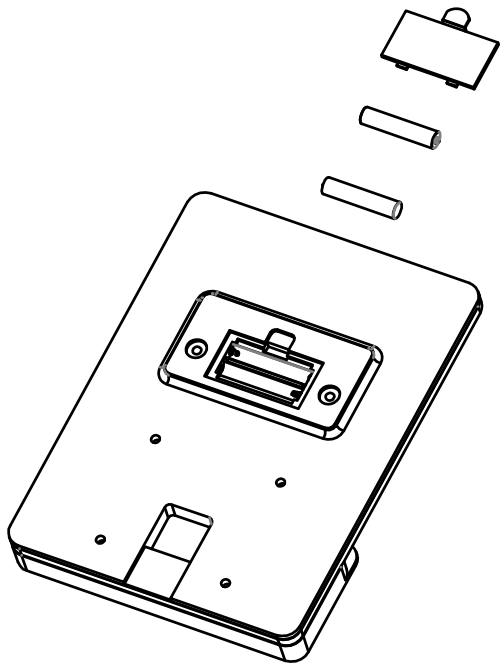
<b>FUNCTIONS</b>	AUTO SCAN	Every 6 seconds
	TIME	00:00-99:59 min
	SPEED	Max 999.9 mi./H
	CALORIES	0.0-999.9 KCal
	ODOMETER	0.0-9999 mi.
	DISTANCE	0.0-999.9 mi.
	BATTERY TYPE	2 pcs of AAA
	PULSE RATE	40-240 bpm
	OPERATING TEMP	32°F - 104°F
	STORAGE TEMP	14°F - 140°F

### **\*IMPORTANT NOTE :**

*Please remember that the functions in this computer are only meant to be tools to monitor your workout progress; they are not meant to provide medical information or be used for medical purposes. Please consult a physician before beginning any workout program.*

# Computer Operation

---



## How To Install and Replace Batteries

1. Open the battery door on the back of the computer.
2. The computer operates on two AAA batteries (included). Refer to the illustration to install or replace the batteries.

### NOTE :

1. Do not mix a new battery with an old battery.
2. Use the same type of battery. Do not mix an alkaline battery with another type of battery.
3. Rechargeable batteries are not recommended.
4. Battery disposal should be handled according to all state and federal laws and regulations.
5. Do not dispose of batteries in fire.

### NOTES (Regarding the Computer Monitor):

**Warning:** This device complies with Part 15 of the FCC Rules. Operation is subject to the following two conditions:

- (1) This device may not cause harmful interference.
- (2) This device must accept any interference received, including interference that may cause undesired operation.

### Caution:

This equipment has been tested and found to comply with the limits for a Class B digital device, pursuant to part 15 of the FCC Rules.

These limits are designed to provide reasonable protection against harmful interference in a residential installation. This equipment generates, uses and can radiate radio frequency energy and, if not installed and used in accordance with the instructions, may cause harmful interference to radio communications. However, there is no guarantee that interference will not occur in a particular installation. If this equipment does cause harmful interference to radio or television reception, which can be determined by turning the equipment off and on, the user is encouraged to try to correct the interference by one or more of the following measures:

- Reorient or relocate the receiving antenna.
- Increase the separation between the equipment and receiver.
- Connect the equipment into an outlet on a circuit different from that to which the receiver is connected.
- Consult the dealer or an experienced radio/TV technician for help.

# Safety and Maintenance

## Safety & Warning

- Make sure all nuts, bolts, and screws are tightened prior to use.
- Be sure that all adjustment locking devices and safety devices are properly engaged prior to use!
- Never over-tighten the above-mentioned devices and parts to avoid damage to the unit.
- Check for loose parts and components and make proper adjustments prior to use.
- Check to see if there are any tears or bends in the welding or metal prior to use. If tears or bends are found, DO NOT use the unit and contact our CUSTOMER SUPPORT.
- Extreme care must be taken to not allow your feet, fingers, hair, clothing, and/or any loose items to be snagged into any portion of the bike when the unit is in motion. Failure to follow these instructions could result in serious injury, including the loss of fingers.
- Always wait for the pedals and other moving parts (which can gain great momentum during riding) to come to a complete stop before dismounting the unit to avoid serious injury.

## How To (Emergency) Stop

**NOTE:** Always wait for the pedals and/or any other moving parts (which can gain great momentum during riding) to come to a complete stop before dismounting the unit to avoid serious injury.

- To reduce speed on the bike, you may use the combinations of your feet on the Left/Right Pedals (#45/#46) and your hands on the Left/Right Handlebars (#15/#16) to gently and safely apply counter-momentum.
- Wait for the pedals to come to a complete stop.
- Now you may safely dismount the unit

## How To Move/Transport The Bike For

### NOTE:

To safely move, transport, and/or store the unit, please seek the help of capable assistants (minimum of 2 people). The unit has integrated Front Rollers purposely intended to help ease this process.

- Position one person on each side at the front of the bike toward the handle Bar (one person on the left, and one on the right).
- Have each person use both hands to grip the corresponding Pulse Handle Bar (#13). (These are the safest areas to avoid injury during this process.)
- Have both people simultaneously lift the rear end of the unit, leaving the weight and pressure into the front of the unit and onto the Front Rollers to move/transport the unit to the desired area.

## Maintenance & Care

- Please review all safety instructions and warnings in this entire Owner's Manual, as well as any safety/warning labels affixed to the product before use.
- Do not use solvent cleaners. If you are in any doubt, do not use your cleansing product; contact CUSTOMER SUPPORT.
- The specific parts on your unit which may see possible signs of wear after prolonged use are listed as follows (please check these parts before each use):  
Foot Pedals (#73/#74); Left/Right Handlebars (#15/#16).
- For any replacement warning labels, please contact our CUSTOMER SUPPORT at

**1 (888) 266-6789** or **1 (909) 598-9876**, or mail in a written request to:

Body Flex Sports, Inc.  
21717 Ferrero Parkway  
Walnut, CA 91789

More detailed information about how to reach our CUSTOMER SUPPORT may be found on Page 2 of the Owner's Manual under the "CUSTOMER SUPPORT" section.

# Troubleshooting

(AFTER COMPLETE ASSEMBLY)

Troubleshoot Area	Solution
<b>Calories/Distance/ Time (Etc.)</b>	<p>If the computer is <b><u>not displaying the CALORIES/DISTANCE/TIME/(ETC.) functions</u></b> (or you are getting inaccurate readings), please adjust the following:</p> <ol style="list-style-type: none"><li>1. Check to ensure all computer sensor wires are properly connected and are not damaged.</li><li>2. You may need to refer to installation/assembly directions for the sensor wires in this manual.</li></ol>
<b>Computer Display</b>	<p>If the <b><u>computer display is blank &amp; not displaying any data</u></b> (or does not appear to power on), please adjust the following:</p> <ol style="list-style-type: none"><li>1. Check to ensure all sensor wires are all properly connected and are not damaged.</li><li>2. Check to ensure the AC Adapter* or Batteries* are properly plugged in or fully charged.</li><li>3. Check your product manual to determine if your model uses either AC Adapter or batteries to power your unit.</li></ol>
<b>Hand Pulse Signal</b>	<p>If the computer is not picking up your hand pulse signal (or you are getting inaccurate readings), please adjust the following:</p> <ol style="list-style-type: none"><li>1. Slightly moisten/dampen the palms with water so the sensors can detect a pulse signal.</li><li>2. Do not grip the sensors too tightly. Only moderate pressure need be applied.</li><li>3. Gripping the sensors too tightly restricts and seizes detection of your pulse.</li><li>4. Remove any rings or jewelry to prevent interference.</li><li>5. Check to ensure all pulse sensor wires are properly connected and are not dam-aged.</li><li>6. You may need to refer to installation/assembly directions for the pulse sensor wires in this manual.</li></ol>

# Warm-Up Instructions

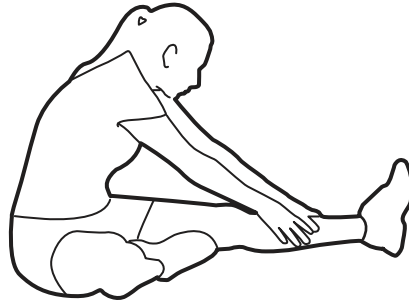
Before use, you must read and understand all instructions & warnings stated in this Owner's Manual as well as posted on the equipment. Before beginning any exercise program including the following flexibility exercises, please consult with your physician.

The following flexibility exercises are provided to you as a means to prevent injury while you are exercising. A proper warm-up routine decreases the chance of injuring your muscles while you are exercising. Please take the time to do these flexibility exercises before and after each time you exercise.



## Groin Stretch

1. Sit with your knees flexed and soles of feet together.
2. Hold your ankles and bend at your hips (keep your back straight) as you press your knees toward the floor with your elbows.



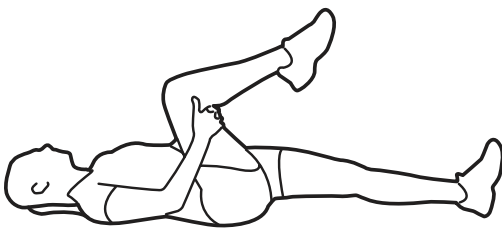
## Hamstring Stretch

1. Sit with your left leg extended and bend your right leg at the knee as you place the sole of your right foot against the inner thigh of your extended leg.
2. Flex the foot of your extended leg (toes pointed toward ceiling) and gently bend forward from your hips; keep your back straight.
3. Reach your hands on your extended leg as far as possible and then switch legs and repeat.



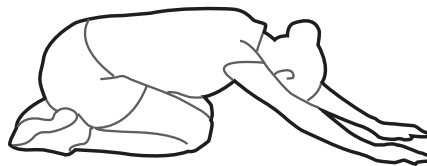
## Trunk Twister

1. Sit with your leg extended and bend your right knee as you cross your right leg over your left leg. Your right foot of your extended leg foot should be flat on the floor alongside your left knee.
2. Place your left arm on the outside of your right leg and pull against that leg while twisting your trunk as far as possible to the right. Place your right hand on the floor behind your buttocks. Reverse leg positions and repeat.



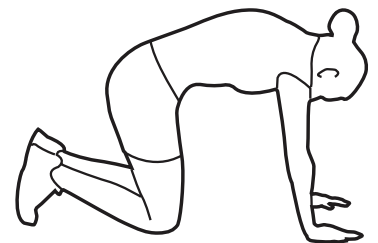
## Groin Stretch

1. Lie on your back and raise your right leg as you clasp both hands under the back of the knee. Keep your left leg straight.
2. Gently pull your right leg toward your trunk without raising your upper body. Switch leg positions and repeat.



## Trunk Flexion, Prone

1. Assume the depicted position on your hands and knees. Stretch your hands out in front of you and then slowly start to pull them back in toward your body as you tuck your chin and arch your back upward.
2. Return to the starting position slowly.



# Warm-Up Instructions

---



## Shoulder Stretch

---

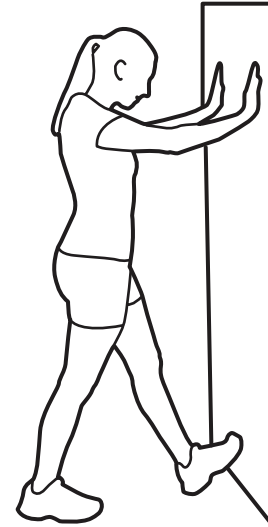
1. Bring your right hand over your right shoulder to the upper back and bring your left hand under your left shoulder to the upper back.
2. Try to reach your fingertips. If you are not able to reach your fingertips, use a towel as an extension of your hands and gently pull one hand toward the other.  
Reverse arm positions and



## Quadriceps Stretch

---

1. Stand on your left leg and hold onto a support with your left hand.
2. Flex your right leg behind you, grasp your ankle or foot with your right hand and pull your foot toward your buttocks. Keep your back straight and right knee pointed down.  
Repeat on the other leg.



## Calf Twister

---

1. Place both hands against a wall to aid your balance. Press the ball of your left foot against the wall and keep the heel of the same foot rested on the floor (make sure your left knee is bent).
2. Slowly start to straighten your left knee and you will feel the muscles in your left calf stretch. Switch leg positions and repeat.

This Page Intentionally Left Blank

**THANK YOU FOR YOUR PURCHASE**  
**MODEL NO.: BRT1875 BRT2885**

Please fill in the information below and keep this manual along with your sales receipt as proof of purchase.

Serial Number :

---

Date of Purchase :

---

Retailer :

---

Body Flex Sports, Inc.  
21717 Ferrero Parkway  
Walnut, CA 91789

Phone: 1 (888) 266-6789  
Fax : 1 (909) 598-6707  
Email : [info@bodyflexsports.com](mailto:info@bodyflexsports.com)