

TOPDON CATALOG 2023



TOPDON®

TOPDON®

TOPDON makes repair jobs easier. Whether you are a professional, DIY gearhead, or beginner, you can leverage TOPDON's expertise. TOPDON cares about supporting customers through the entire repair process, from the initial diagnosis to the final report. We help you get what you need.

Founded in 2017, TOPDON quickly gathered a group of automotive experts, DIY gearheads, and trained technicians to provide users with premium services. Our founder is a pioneer in the automotive aftermarket distribution channel with over 20 years of experience. He knows our clients' needs, with a keenly trained eye toward our industry. We focus not only on current needs but also prepare for future trends so we can always offer the best solutions for our customers.

Whether it's one more solution or one more innovation, our customers are the reason we keep going. Today, TOPDON has over 100 industry-leading engineers and over 140 intellectual properties. We are focused on accuracy, efficiency, and creating cutting-edge technology solutions for our customers.

CONTENT

DIAGNOSTIC TOOLS

1.ADAS Calibration

Phoenix ADAS Mobile
Phoenix ADAS Mobile Accessories

2.Professional Diagnostics Scanners

Phoenix Max
Phoenix Remote
Phoenix Smart
Phoenix Elite
Phoenix Lite 2

3.Mid-Level Diagnostics Tools

UltraDiag
ArtiDiag Pro
ArtiDiag800 BT
ArtiDiag800
ArtiDiag600 S
ArtiDiag500 S
TopScan

4.Code Readers

ArtiLink600
ArtiLink500B
ArtiLink500
ArtiLink400
ArtiLink300
ArtiLink200

BATTERY SERVICE

1.Battery Testers

BT600
BT300P
BT200
BT100
BT100W
BT50
BT20
BTMobile Pros
BTMobile Pro
BTMobile Lite

2.Jump Starters

V2200Plus
JumpSurge3000
JumpSurge2000
JumpSurge1200

3.Power Station

Hurricane200

4.Battery Chargers

Tornado90000
Tornado30000
TB8000
TB6000Pro
Tornado4000
Tornado1200

KEY PROGRAMMING

1.T-NINJA

T-Ninja Pro
T-Darts
T-Ninja Box

THERMAL IMAGER

TC005
TC004
TC003
TC002 & TC001

DIAGNOSTIC TOOLS

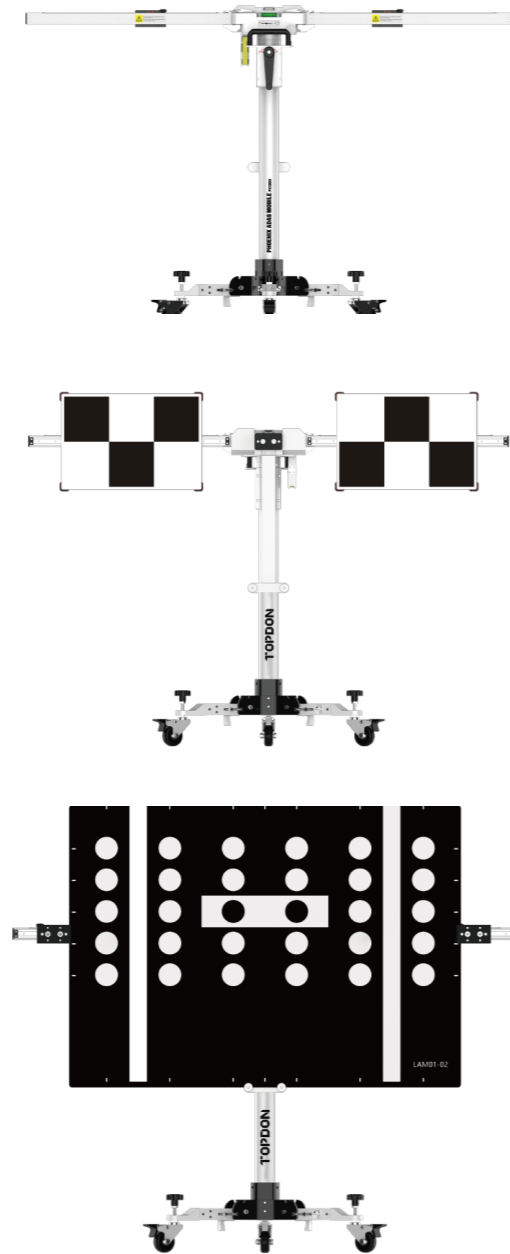
ADAS Calibration

Phoenix ADAS Mobile

The Phoenix ADAS Mobile is a foldable calibration frame that offers unmatched portability and convenience, making auto shops even more productive and profitable. Compatible with TOPDON's Phoenix Series of diagnostic scanners, this device gives professionals the capability to work on most modern cars. This is a must-have tool for professional collision shops, components, and parts specialists, as well as any auto body shop that provides services such as window repair, trunk & bumper cover replacement, wheel alignment, suspension repair, and many other services.

24 OE-Size Targets Included:

Honda LAM01-04-L	Nissan LAM01-07-L
Honda LAM01-04-R	Nissan LAM01-07-R
Honda LAM01-17	Renault/Nissan LAM01-12-L
Honda LAM01-20	Renault/Nissan LAM01-12-R
Hyundai/Kia LAC01-13	Subaru LAM01-15
Hyundai/Kia LAM01-09	Subaru-LDW LAM01-21
Mazda LAM01-10	Suzuki LAM01-18-L
Mazda LAM01-16-L	Suzuki LAM01-18-R
Mazda LAM01-16-R	Toyota LAM01-06-1
Mercedes-Benz LAM01-01	Toyota LAM01-06-2
Mitsubishi LAM01-19-L	Toyota LAM01-06-3
Mitsubishi LAM01-19-R	VW/Audi LAM01-02



Quick Set Up

The Phoenix ADAS Mobile features a collapsible design with foldable arms and folding base legs for convenience, easy storage, and unmatched portability. Experienced technicians can quickly set up the tool in 30 minutes or less and do the job from anywhere.

Unmatched Precision

A high-precision 5-axis laser will assist you in positioning the ADAS calibration tool with exactness. Featuring a multifunctional base with 360-degree swivel wheels and easy center-positioning, the Phoenix ADAS Mobile allows you to adjust the height and make adaptations to calibrate when working on uneven ground.

Expandable Coverage

The Phoenix ADAS Mobile covers most US, European, and Asian car brands, including a wide variety of targets. The standard package comes with a Five Line Laser, Cross Laser, and a Laser Reflector, Auxiliary Mirror, L-Type Positioning Bracket, Plumb Bob, Targets Storage Case, Two Targets Extension Rods and Accessories Case.



Phoenix ADAS Mobile Accessories

Purchase Additional Accessories and Work on All ADAS Systems

To expand the capabilities of the Phoenix ADAS Mobile customers can purchase add-ons covering all ADAS systems such as Adaptive Cruise Control, Around View Monitoring, Blind Spot Detection, and Lane Departure Warning.

Phoenix ADAS Mobile Basic Package

The Phoenix ADAS Mobile Basic Package comes with a Five Axis Laser, a Cross Laser, a Laser Reflector, an Auxiliary Mirror, an L-Type Positioning Bracket, Plumb Bob, Targets Storage Bracket, two Targets Extension Rods as well as 24 Lane Departure Warning (LDW) targets.

Phoenix ADAS Mobile Deluxe Package

The Phoenix ADAS Mobile Deluxe Package comes with the full set of accessories, all of the 24 LDW targets from the standard package, and the following targets: AVM AS (Asian Rear 360 Surround View Camera) targets, AVM EU (Europe Rear 360 Surround View Camera) targets and AVM AM (American Rear 360 Surround View Camera) targets.

Phoenix ADAS Mobile Max Package

The Max Package gives users robust calibration coverage, including all targets from the deluxe package, and an additional 14 targets. This package includes targets for night vision systems, rear camera warnings, around view monitoring, and lane departure warnings. The ADAS Max Package is for shops that want to spend their money once and work without limits for years to come.

Scan the code to see/download details



OPTIONS INCLUDE:

(LAC05-03) Corner Reflector, ACC/BSD

Coverage: Honda, Lexus, Mazda, Mitsubishi, Subaru, Toyota.

(LAC04-14) VW AVM Panels, VW-AVM

Coverage: Audi, Volkswagen.

(LAC04-15) Nissan AVM Panels, Nissan-RCW

Coverage: Infiniti, Nissan.

Rear Camera & AVM Panels (Asian)

Coverage: Honda, Hyundai, Mitsubishi, Nissan.

(LAC05-04) Doppler Simulator, BSD

Coverage: Audi, Skoda, Volkswagen.

(LAC04-13) Mitsubishi AVM Panels, AVM

Coverage: Mitsubishi.

(LAM01-11) Romeo Nissan Single Target, LDW

Coverage: Alfa Romeo.

Rear Camera & AVM Panels (European)

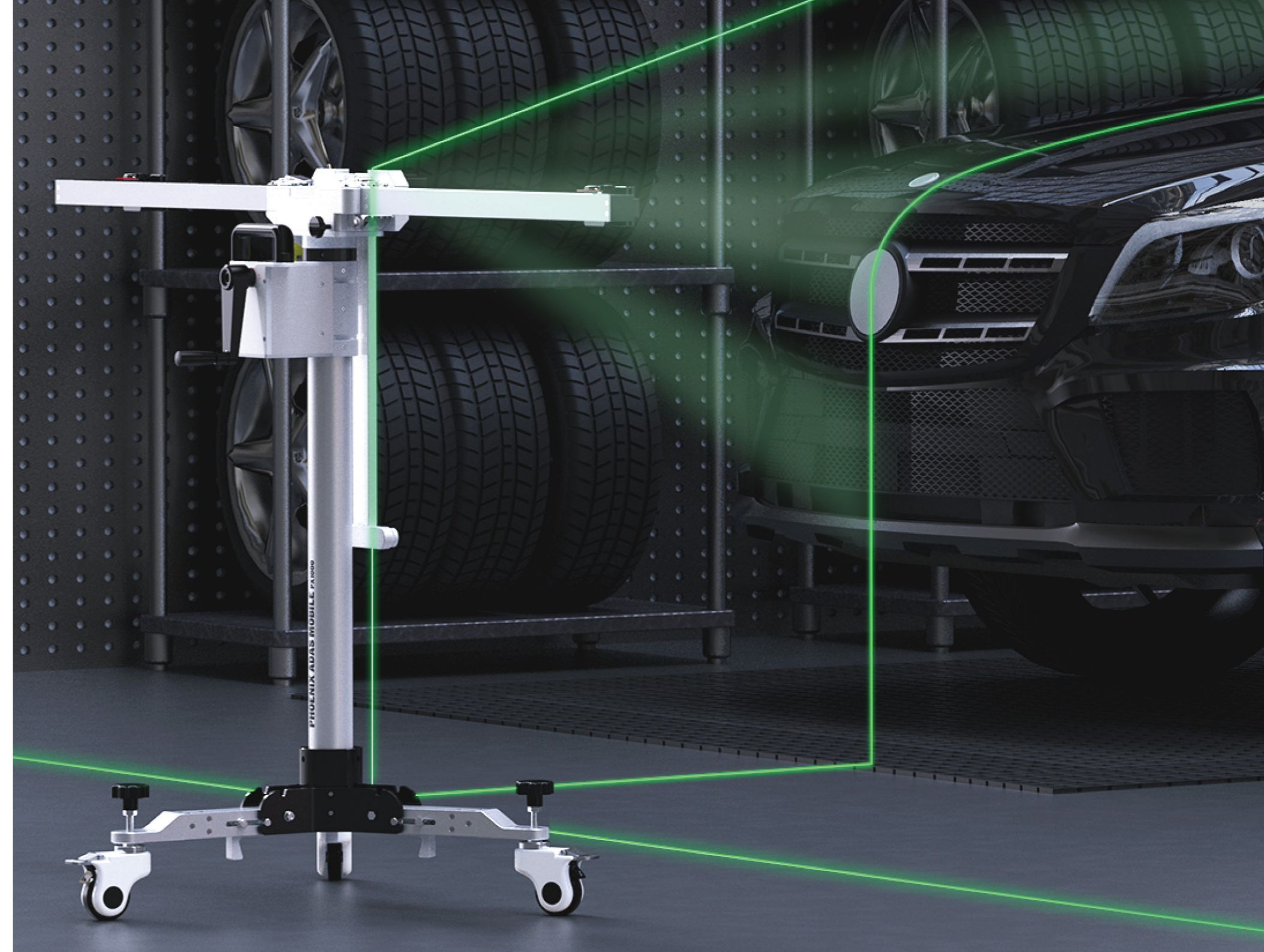
Coverage: Mercedes, Renault, Volkswagen.

(LAM05-02) ACC Target

Coverage: Alfa Romeo, Audi, BMW, Hyundai, Infiniti, Jeep, Kia, Mini, Mitsubishi, Nissan, Porsche, Rolls-Royce, Seat, Skoda, Suzuki.

Rear Camera & AVM Panels (American)

Coverage: Mercedes, Renault, Volkswagen.



Phoenix Max

Diagnose Component Level Faults with the 4-Channel Oscilloscope

- The included 4-Channel Oscilloscope allows you to diagnose component and circuit faults with even more precision. With its color-coded channels, you can analyze and compare multiple components with ease.
- Fix those hard-to-find intermittent problems by evaluating sensors, ignition components, pressure/vacuum-related faults, and much more with pinpoint accuracy.
- The 9300mAh battery powers the huge 13.3" screen for a day packed with diagnostics. The Phoenix Max has 8GB RAM and 256GB of memory and the advanced MDCI Pro with J2534 pass-through included allows users to perform complex tasks with ease.

Heavy Duty Kit Add-on (Optional)

ADAS Add-on (Optional)

Battery Tester (Optional)

Euro Key Programming & EEPROM (Optional)



The Phoenix Max® is the cutting-edge automotive diagnostic scanner in the Phoenix Series. Its heavy-duty housing with IP65 standards offers the needed durability for shop owners who are looking for a long-term investment. This is an all-in-one tool with a wide array of functions that will expand any technicians' capacity to perform a complete analysis of all vehicle systems and complete more complex jobs.



Phoenix Remote

Ultimate Coverage

- Works on more than 200 passenger cars and new energy models. Access to advanced functions for various vehicle makes.

Superb Remote Diagnosis

- Connect remotely to the user's car and performing full-system diagnostics and remote services.

Augmented Reality Glasses (additional accessory)

- Using AR (Augmented Reality) glasses, professionals can mark trouble spots and view synchronized maintenance information on the service platform.

Heavy Duty Kit Add-on (Optional)

ADAS Add-on (Optional)

Battery Tester (Optional)



TOPDON®'s Phoenix Remote™ is an automotive diagnostic scanner with extensive coverage of over 200 vehicle models. Featuring Remote Diagnostics, this tool offers unprecedented insight and convenience. This functionality enables real-time communication among tools, completes remote diagnosis of vehicles without space constraints, and leverages OE-level functions, making it a truly pioneering device.

Phoenix Smart

Performs Cloud-Based Programming and Coding

- The Phoenix Smart supports cloud-based programming functions for over 9 car brands and Online Coding Functions.

Access to Advanced Features

- This core scanner can unlock advanced features for various makes and models.

The MDCI Has You Covered

- This advanced diagnostic tool comes with the MDCI (Modular Diagnostics & Communication Interface), an updated wireless VCI that supports the latest protocols, such as J2534, DoIP, CAN FD, D-PDU, and RP1210.

The Phoenix Smart® is part of TOPDON's new generation of intelligent diagnostic tools. Equipped with quad-core processors and a 10.1" HD touch screen, this tool allows you to diagnose fault codes and trouble codes with one click. Combined with the MDCI, this scanner offers unprecedented coverage, intelligent diagnosis, and a wide array of maintenance functions.

Heavy Duty Kit Add-on (Optional)

ADAS Add-on (Optional)

Battery Tester (Optional)



Phoenix Elite

Broad Coverage and Comprehensive Database

- This core diagnostic scanner supports full system fault diagnosis of more than 200 Asian, American, and European models.

Bluetooth VCI with CAN FD Protocol

- The Phoenix Elite comes with an updated VCI compatible with the CAN FD protocol, making this a must-have device to work on the most modern cars.

View All Fault Codes in One Screen

- The Topology Mapping shows the entire status of the car's system in a tree diagram for a relational perspective of issues.

The Phoenix Elite is a professional-grade diagnostic scanner that offers OE-level quality. With an LCD 10.1" screen, 4-Core 2.0 GHz Processor, and Android 10, this tool provides fast and precise diagnostic capabilities. Its topology feature lets technicians have a clear picture of the automobile's systems and quickly find communication issues or identify trouble codes. This tool can perform active tests, coding, initializations, memory resets, and much more.

ADAS Add-on (Optional)

Battery Tester (Optional)



Phoenix Lite 2

Customize Your Car with Online Coding

- The Phoenix Lite 2 supports online coding for BENZ, BMW, PORSCHE, VW, AUDI, SEAT and more vehicles.

Bi-Directional Control to Identify Problems Accurately

- With Bi-Directional capabilities, the Phoenix Lite 2 can perform individual tests for single actuators to know if the actuator functions well.

Wireless Bluetooth Diagnosis

- With the wireless VCI connected to the vehicle, a technician is not bound to a cable connection.

The Phoenix Lite 2 is TOPDON's compact pro-level scan tool. This tool is designed to be streamlined and deployable. When technicians have jobs outside the shop or jobs need to be resolved fast, the Phoenix Lite 2 is the perfect tool for the job. With a robust array of special functions, online coding, and broad vehicle coverage, this versatile scan tool clears up jobs faster and gets shops moving. Generate the most complete diagnostic reports with advanced scanning functions and Bluetooth battery testing compatibility. Do more in less time with the Phoenix Lite 2.

Cover 200+ Vehicle Makes

OE-Level Full System Diagnostics

28+ Maintenance Service



PHOENIX SERIES COMPARISON CHART

Model	Phoenix Lite 2	Phoenix Elite	Phoenix Smart	Phoenix Max	Phoenix Remote
Specifications					
Cloud-Based Programming	X	6 Brands	15 Brands	15 Brands	15 Brands
Remote Diagnostics	X	X	X	X	√
Communication	VCI/Bluetooth	VCI/Bluetooth	VCI/Bluetooth	VCI/Bluetooth	OBD Cable
ADAS Compatibility	X	Phoenix Mobile ADAS	Phoenix Mobile ADAS	Phoenix Mobile ADAS	Phoenix Mobile ADAS
IMMO Compatibility	T-Ninja Box (ECU clone is not supported)	T-Ninja Box	T-Ninja Box	T-Ninja Box	T-Ninja Box
Oscilloscope Compatibility	Phoenix Scope	Phoenix Scope	Phoenix Scope	Phoenix Scope	Phoenix Scope
Battery Tester Compatibility	BTMobile Pros	BTMobile Pros	BTMobile Pros	BTMobile Pros	BTMobile Pros
FCA Secure Gateway	FCA Official Account Subs Fee	FCA Official Account Subs Fee	FCA Official Account Subs Fee	FCA Official Account Subs Fee	FCA Official Account Subs Fee
AutoVIN	√	√	√	√	√
Full-System Diagnostics	√	√	√	√	√
Daily Maintenance Functions (Commonly Used Special Functions, such as: EPB OLS, BMS, DPF, SAS, TPMS, etc.)	35	41	41	41	41
Diagnostic Topology Display	X	√	√	√	√
Diagnostic Protocols: D-PDU/J2534/RP1210	X	X	√	√	√
Heavy Duty (Optional)	X	X	√	√	√
Software Languages	24 Languages	24 Languages	24 Languages	24 Languages	23 Languages
Online Coding	√	√	√	√	√

Mid-Level Diagnostics Tools

UltraDiag

- Bi-directional Control, allowing users to analyze and locate fault parts more accurately
- Full System Diagnostics for 60+ Brands
- VCI Bluetooth wireless diagnostics
- Repair Data Library provides a comprehensive maintenance knowledge base to help users familiarize themselves with vehicle diagnosis quickly
- 8 Reset Functions: Oil Reset, Throttle Adaptation, EPB Reset, Steering Angle Reset, DPF Regeneration, ABS Bleeding, BMS Reset, Airbag Reset
- AutoVIN & AutoScan streamlined for more convenience
- Key Programming functions: Number of Keys, PIN Reading, Key Learning, Remote Control Learning, Delete Keys, and All Keys Lost

TOPDON's newest 2-in-1 diagnostic and key programming tool, the UltraDiag, offers versatility in both car diagnosis and IMMO. The UltraDiag is capable of performing full OBD2 functions, accessing eight commonly-used maintenance services, and supports full-system diagnosis for 60+ car brands all over the world. Going beyond the standard code reader, the diagnostic scanner also provides more advanced functions, including a Repair Data Library to quickly start on auto repair jobs, and bi-directional control to accurately locate fault parts.

This powerful tool also acts as a key matching tool to work on car keys and immobilizer systems. Enabled PIN reading, Key Learning, Remote Control Learning, and All Keys Lost functions can expand a shop's capabilities. It's the perfect tool for repair shops and locksmith shops.



Mid-Level Diagnostics Tools

ArtiDiag Pro

Bi-Directional Control

- The ArtiDiag Pro car scanner can get access to the vehicle-specific subsystem and component parts, and drives the actuators to perform a specific function for determining the integrity of the system or parts, allowing users to analyze and locate the fault parts more accurately.

Full OBDII Capabilities

- The TOPDON ArtiDiag Pro also works as an OBDII code reader and performs all 10 modes of OBDII testing on most car makes.

In-Depth Data Stream Analysis

- Record data streams for reference at any time.
- View up to 12 data streams on one screen.

Multilingual Support

- Operates in English, French, German, Spanish, Portuguese, Russian, Japanese, Italian, Korean, and Polish.

Built to Last

- 6100mAh battery capacity
- 4-core 1.5Ghz CPU
- Android 10.0 brings users a smooth experience.
- 2G Ram and 32G Storage

Full Systems Diagnostics for 70+ Makes

The TOPDON ArtiDiag Pro diagnostic tool can meet all your needs by offering 29 maintenance service functions for mainstream brands, compatible with VW, GM, BMW, PORSCHE, BENZ and more. The ArtiDiag Pro scanner also supports more special functions for various car brands, including Crankshaft Position Variation Learning Fuel Trim Resets for GM, and Clear Crash Data Memory and Misfire Testing for Ford (America). Write service history and adjust Folding Mirror Delay Times for BMW, Abort Road tests and Seat belt reminder warnings for front passenger for BENZ(EUROPE); A/T Code Registration and Air Bleeding for TOYOTA, Write VIN and Replace ECM/PCM for HONDA(ASIA).



ArtiDiag800 BT

Access Special Functions and Complete the Job

- The ArtiDiag800 BT includes a comprehensive database with many Maintenance Service Functions.
- These functions allow you to perform various resets, such as Oil, SAS, EPB, BMS, DPF, EGR, TPMS, Sunroof, Suspension, Gearbox, Immobilizer, and AFS Headlamp. The special functions also cover Injector Coding, Gear Learning, Throttle Adaptation, and ABS Bleeding.
- 5.99" LCD Screen
- 1.3 GHz Quad-Core Processor
- Bluetooth VCI
- 28 Maintenance Service Functions

The ArtiDiag800 BT is an automotive diagnostics tool perfect for those who need detailed, accurate information that regular diagnostics tools cannot provide. The ArtiDiag800 BT offers AutoVIN tech, the most essential computer resets, and live data graphing. By combining full OBDII functions, 28 maintenance service functions, and vehicle info reading, the ArtiDiag800 BT gives serious technicians like you unparalleled insight and capabilities to fix automotive computer issues.



ArtiDiag800

- All Available System Diagnostics: for 72 mainstream car brands worldwide to diagnose systems as Engine, Transmission, Airbag, ABS, ESP, TPMS, Immobilizer, Gateway, Steering, Radio, Air Conditioning, and many others.
- 15 Maintenance Services: Oil Reset, SAS, EBP, BMS Reset, DPF, ABS Bleeding, Immobilizer, Sunroof Reset, Suspension Reset, Gearbox Reset, AFS Headlamp Reset, Injector Coding, Gear Learning, TPMS Reset, Throttle Adaptation.
- Retrieve ECU Information: Read/Clear DTCs; Graphed Live Data Streams can be merged for easier comparison.
- One-Touch AutoVIN Technology: save manual selections to identify car make / model / year, and direct you towards the proper solutions.
- Diagnostic results will be generated automatically, saved as a report, and shared via email.
- One-Touch Software Update via Wi-Fi.
- Feedback Function: get timely online technical assistance.
- ArtiFolder: save diagnostic reports, data stream records, and screenshots.

The ArtiDiag 800 provides OE level diagnostics and code reading for Domestic, Euro, and Asian vehicles. Focusing on the mid-level automotive specialists, its AutoVIN Tech provides all the information you need for a full system diagnosis of the vehicle's entire network. It also offers 15 special maintenance service functions to assist in the most common repairs.

COMPARISON OF AD800 vs 800BT vs ArtiDiag Pro

ArtiDiag800	ArtiDiag800 BT	ArtiDiag Pro
	All the ArtiDiag800 Features, plus:	All ArtiDiag800 BT Features, plus:
Full-System Diagnostics for 54 Brands	5.99" LCD Screen	7" LCD Screen with Improved Resolution
7" LCD Screen	1.3 GHz Quad-Core Processor	Bi-Directional Control
1 GHz Quad-Core Processor	Bluetooth VCI	Expanded Storage Capacity of 32G ROM Memory
15 Maintenance Service Functions	28 Maintenance Service Functions	6100mAh Battery Capacity
Displays the Car's Battery Voltage in Real-Time		ECU Coding Function



Mid-Level Diagnostics Tools

ArtiDiag600 S

All of the ArtiDiag500 S Features, Plus:

- Supports 8 Maintenance Service Functions: Oil, Brake, SAS, BMS, ETS, DPF, and TPMS Resets, as well as ABS Bleeding.

TOPDON's ArtiDiag600 S is a diagnostic scanner that provides essential information on US, Euro, and Asian vehicle models. This tool offers a complete analysis of the four main systems in a car for quick and efficient repairs. Expanding your array of capabilities, it includes a total of eight maintenance functions (Oil, Brake, SAS, BMS, DPF, TPMS Resets, and ABS Bleeding.).

Mid-Level Diagnostics Tools

ArtiDiag500 S

- Complete Diagnostics of 4 Main Systems (Engine, Transmission, Airbag, And ABS).
- Supports 5 Maintenance Service Functions: Oil, BMS, ETS, and DPF Resets, as well as ABS Bleeding.
- Vast Database With Over 90 Vehicle Models.
- Reads/Clears DTCs and Reads Data Stream.
- Identifies The VIN Number, ECU Name, ECU Identifier, and ECU Serial Number.
- Checks All Systems and Clears all Codes With Just One Tap.
- Records Dynamic Data Streams For Playback at Any Time.
- Displays Up To 4 Data Streams Simultaneously.
- Automatically Generates Diagnostic Reports.
- Free Lifetime Updates.
- AutoVIN Technology.
- Online Feedback.

The ArtiDiag500 S is a mid-level diagnostics tool that is both practical and versatile. This tool can run the most essential tests, produce diagnostic reports, and read/clear fault codes. Featuring AutoVIN technology, this device automatically identifies the vehicle information, providing more efficient and accurate results. With an easy-to-use interface, the ArtiDiag 500S will be your go-to tool for any diagnostic project.



FEATURES AND COMPARISON OF AD500 S VS AD600 S

Complete Diagnostics and a Huge Database

- With the ArtiDiag500 S and 600 S, you can perform complete diagnostics of the main systems in a car's computer: **Engine, Transmission, Airbag, and ABS**. These tools include the most essential functions to do crucial work on **over 90 vehicle models**.

Faster Performance for Timely Services

- These tools allow you to rapidly check all systems and clear all codes with just one tap.
- **Online Feedback** lets you submit issues and requests directly to technical support.
- Easily record dynamic data streams for playback at any time. You can simultaneously display up to 4 data streams for a clear view of different systems and accurate data comparisons.

ArtiDiag500 S

5" LCD Screen

Diagnostics of 4 Main Systems

Full OBDII Functions (Reads & Clears DTCs, View Live Data/Freeze Frame Data, and much more)

Access To ECU Information

Displays, Graphs, and Merges Live Data Stream

Automatically Generates Diagnostic Reports

Free Lifetime Updates

Vehicle's History Function

Displays the Car's Battery Voltage in Real-Time

AutoVIN Technology

5 Maintenance Service Functions: Oil, BMS, ETS, and DPF Resets, as well as ABS Bleeding

ArtiDiag600 S

All the ArtiDiag500 S Features, Plus:

8 Maintenance Service Functions: Oil, Brake, SAS, BMS, ETS, DPF, and TPMS Resets, as well as ABS Bleeding.

Mid-Level Diagnostics Tools

TopScan

The TopScan is a pocket-sized diagnostic tool that turns a phone into a scan tool, supporting 60+ different vehicle makes from America, Asia, and Europe. With advanced diagnostics, eight maintenance services, AutoVIN technology, and bidirectional control, it provides a comprehensive maintenance knowledge base. Analyze data through the app's detailed graphs and diagnostic reports, and complete any job with clarity and ease.

- 8 special functions including Oil Reset, BMS Reset, and ABS Bleeding.
- Repair Data Library
- Bidirectional Control function
- Generate Diagnostic Reports
- Full-System Diagnostics for Engine, Transmission, Airbag, Etc.
- Full OBDII Functions (Read & Clear Fault Codes, I/M Readiness Monitor Status, Read Freeze Frame Data, Etc.)
- AutoVIN Technology
- Wireless Bluetooth connectivity
- Read & compare data streams
- Vehicle Performance Test
- Engine Volume Efficiency calculator
- DTC Repair Guide for Chrysler/Dodge/Jeep/Fiat (2010-2014)



Code Readers

ArtiLink600

Features All ArtiLink500 Functions Plus:

- ABS & SRS Testing
- 3 Maintenance Services: Oil Reset for 53 car brands; SAS Reset for 41 car brands; BMS Reset for 22 car brands
- Built-in Speaker
- 3.5" Color Screen
- Expanded Multilingual Menu (8): English, Spanish, Italian, German, Japanese, Russian, French, and Portuguese



The ArtiLink600 is an automotive computer scan tool. Providing professional-level diagnostic features at a reasonable price point and a user-friendly interface. The intuitive interface allows beginners to run essential and advanced diagnostic tests with ease, reducing your shop's downtime. With the AL600, anyone can run ABS, SRS, and OBDII Tests, record data, access DTC libraries, and more.

Code Readers

ArtiLink500B

Full OBD Capabilities

- Offers All OBD Test Modes for Robust and Accurate Testing
- Reads & Erases Code
- Graphs Live Data
- Views Freeze Frame Data
- Looks Up Vehicle Info

Battery Tests

- Runs Battery, Charging, Starting, and System Tests
- Checks Cold Starts, State-of-Health, and More

And More

- 2.8" Color Screen
- Lifetime free update
- Data playback

The ArtiLink500B is TOPDON's all-in-one tool that works as an OBDII code reader and a battery tester. This product includes complete OBDII functionalities, able to read and erase codes, view freeze frame data, identify the vehicle's information, and more.

With this tool, you can easily check a vehicle's emissions monitor status and identify problems in a vehicle's computers. Offering expanded capabilities, the AL500B can accurately measure the battery's actual cold start current capacity, state of health, and more. Get complete reports on the starting and charging systems for even more convenient car maintenance services.



Code Readers

ArtiLink500

- Views Essential Data
- Reads and Erases Codes with Ease
- Views Vehicle Information and Freeze Frame Data
- Retrieves I/M Readiness Status, O2 Sensor Test, EVAP, and On-Board Monitor Test
- DTC Lookup
- Graphs Live Data
- Free Software Updates
- Print Results Via PC
- 2.8" Color Screen
- Multilingual Menu (7): English, French, German, Spanish, Portuguese, Russian, Japanese

The ArtiLink500 is a diagnostic scan tool that supports all 10 OBDII modes for most vehicles made as far back as 1996. This device offers a one-click "Readiness Test Status" for smog tests and quickly retrieves VIN, CIN, and CVN information. With the ArtiLink500, you get powerful functions at an affordable price point.



COMPARISON OF AL500 vs AL600

AL500	AL600
<p>FEATURES</p> <ul style="list-style-type: none"> Reads & Clears DTCs Views Freeze Frame Data Retrieves I/M Readiness Status Views Vehicle Information O2 Sensor Test On-board Monitor Test DTC Lookup Graphs Live Data Free Software Updates EVAP Test Print Via PC Multilingual Menu (7): English, French, German, Spanish, Portuguese, Russian, Japanese 	<p>FEATURES</p> <ul style="list-style-type: none"> All AL500 features included, plus ABS & SRS Testing 3 Maintenance Services: Oil Reset for 53 car brands; SAS Reset for 41 car brands; BMS Reset for 22 car brands Built-in Speaker Multilingual Menu (8): English, Spanish, Italian, German, Japanese, Russian, French, and Portuguese.

SPECIFICATIONS	SPECIFICATIONS
<p>Display: LCD 2.8-Inch: 320*240</p> <p>Operating voltage: 9~18V</p> <p>Weight: 270g(9.52 oz)</p> <p>Storage Temperature: -20°C ~70°C (-4°F ~158°F)</p> <p>Operating Temperature: -10°C~50°C (14°F~122°F)</p> <p>Dimension: 163.6*94.3*31.4mm (6.44*3.71*1.23 inches)</p>	<p>Display: 3.5-Inch LCD; 320*480</p> <p>Operating Voltage: 9~18V</p> <p>Weight: 535g (18.87 oz)</p> <p>Storage Temperature: -20°C ~70°C (-4°F ~158°F)</p> <p>Operating Temperature: -10°C~50°C (14°F~122°F)</p> <p>Unit Dimension: 215*114.1*34.5mm (8.46*4.49*1.36 inch)</p>

Code Readers

ArtiLink400

- Reads & Clears DTCs
- Reads Live Data
- I/M Readiness Monitor Status
- View Freeze Frame Data
- O2 Sensor Test
- On-Board Monitor Test
- EVAP Test
- Reads Vehicle Information
- DTC Lookup
- Review Data



The ArtiLink400 is TOPDON's new OBDII scanner. This device clears codes, resets the check engine light, checks emissions systems, and identifies basic car problems. It's designed to provide the best diagnostic experience for DIY users and professional technicians. Compatible with most vehicles made in or after 1996, it reads, defines, and helps you solve generic and manufacturer-specific trouble codes.



Code Readers

ArtiLink300

- Supports Full Modes of OBDII Diagnostics for most 1996 and newer vehicles
- Reads and Clears Codes
- Supports CAN, ISO9141, KWP2000, J1850 PWM, and J1859VPW Protocols
- No External Battery Required - Just Plug & Play
- Turns off The Check Engine Light and Retrieves I/M Readiness Status for an Easy Smog Test
- Provides Freeze Frame Data Retrieval and Views Vehicle Records
- Includes a DTC Lookup Library for Detailed Information
- Multilingual Menu

The ArtiLink300 is an easy-to-use diagnostic tool that offers more advanced features for essential automotive repair work. The AL300 introduces O2 Sensor Tests and a DTC Lookup Library, expanding your testing capabilities.



Code Readers

ArtiLink200

- Reads and Erases Codes with Ease
- Views Vehicle Information and Freeze Frame Data
- Retrieves I/M Readiness Status

The ArtiLink200 is an intuitive diagnostic tool that gives technicians key information about a car's computer systems. Its functions are focused on pivotal tests and data required from automobile computers to assist in repairs. Not only does it streamline your repair process, but its economical price point is perfect for a fiscally responsible auto shop or DIY enthusiast.



COMPARISON OF AL200 vs AL300

AL200

FEATURES

- Reads & Clears DTCs
- Views Freeze Frame Data
- Retrieves I/M Readiness Status
- Views Vehicle Information

SPECIFICATIONS

- Display: 128x64 pixel display
- Operating Voltage: 9~16V
- Weight: 202g (0.45 lbs.)

AL300

FEATURES

- Reads & Clears DTCs
- Views Freeze Frame Data
- Retrieves I/M Readiness Status
- Views Vehicle Information
- O2 Sensor Test
- On-board Monitor Test
- DTC Lookup
- Data stream
- EVAP Test
- Multilingual Menu (7): English, French, Italian, German, Portuguese, Russian, Spanish.

SPECIFICATIONS

- Display: 1.77 in Color Display
- Operating Voltage: 9~18V
- Weight: 210g (0.46 lb)
- Storage Temperature: -20°C ~70°C (-4°F ~158°F)
- Operating Temperature: -10°C~50°C (14°F~122°F)
- Dimensions: 119 * 71.7 * 23.3 mm (4.68 * 2.82 * 0.91 in)

KEY PROGRAMMING

Key Programming

T-Ninja Pro

- PIN Reading
- Key Learning
- Remote Control Learning
- Deletes Keys
- All Keys Lost
- Number of Keys
- Expandable Memory Storage
- Transponder Recognition and Frequency Detection with T-Darts Add-On
- Reads & Clears Fault Codes
- 8 Maintenance Services
- Support wireless and wired dual connectivity



The T-Ninja Pro is a automotive key programmer tool developed by TOPDON Technology. As an upgrade over the T-Ninja1000, the T-Ninja Pro boasts a variety of functions including, Number of Keys, PIN Reading, Key Learning, Remote Control Learning, Delete Keys, and All Keys Lost.

Key Programming

T-Darts

- T-Darts allows either USB or Battery powered function
- T-Darts Supports Transponder Chips
- Supports 100+ Transponder Chips
- T-Darts identifies Radio Frequency of each Vehicle Remote (300-320Mhz, 430-434Mhz, 868Mhz, 902-915Mhz)
- Can connect directly to phones
- BlueTooth Connectivity
- Takes 4 Triple A Batteries



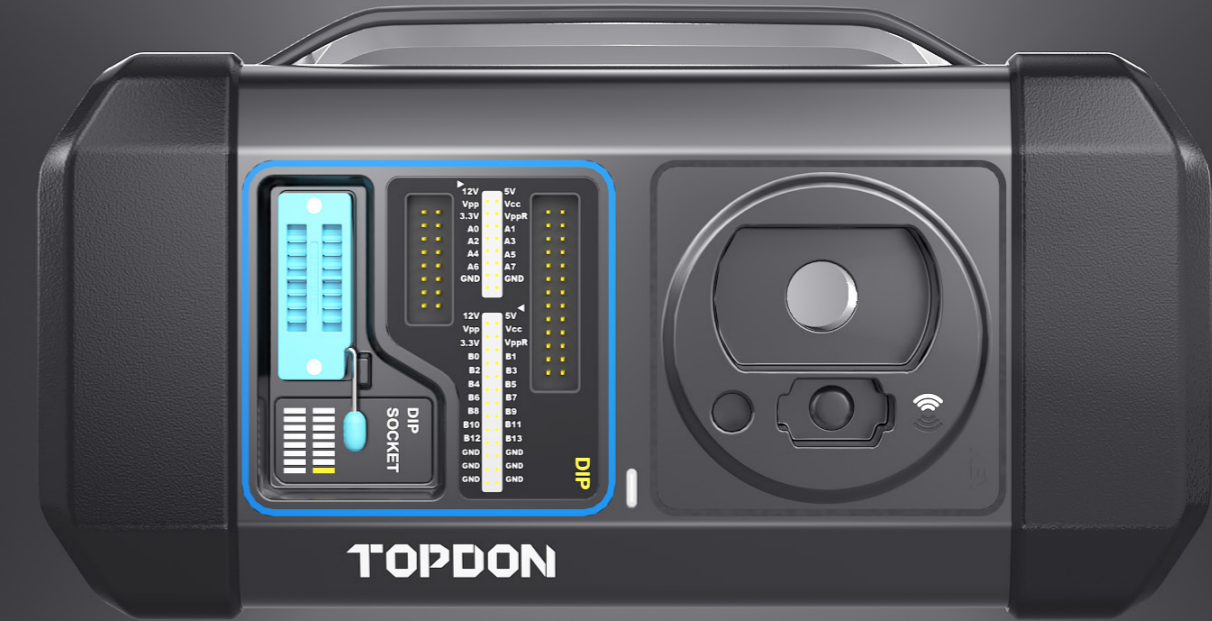
With the T-Darts, technicians and key specialists unlock a new dimension of analysis and programming. The T-Ninja Pro supports chip recognition and frequency detection when used together with the T-Darts, a TOPDON-designed Transponder & Remote Tester Tool, enables users to perform key programming for mainstream automobiles available on the global market.

The T-Ninja Box is TOPDON's programming tool for car keys & immobilizer systems.

This powerful tool allows users to read and write key chip data, generate special keys, and more.

With unmatched coverage, this is the ideal device for locksmiths and technicians to minimize outsourcing.

Compatible with the Phoenix Series of diagnostic scanners, the T-Ninja Box is a reliable must-have tool for any auto shop.



Key Programming

T-Ninja Box

- Lock Reading & Writing.
- Supports 120 Bosch and 20 Siemens Engine ECU Manufacturers.
- Compatible with Engine, Automatic Transmission, CAS, Body, and Lock Systems.
- Reads & Writes 4th Gen VW UDS Engine Chips.
- Supports Replacement of 4th Generation Audi Models EZS.
- Mercedes Infrared Key Matching.
- Offers Continuously Upgrades, Preventing Obsolescence.

BATTERY SERVICE

Battery Testers

BT600

Printing Reports in Real-Time Was Never This Easy

- Built-In Thermal Printer & 3.5" Color Screen
- Gives Users More Flexibility with Almost 5.9 Feet (1.8 Meters) Of Cable
- Performs Battery, Cranking, and Charging Tests and System Tests
- Supports 24V Lead-Acid Batteries (Cranking & Charging Tests)
- Data Review Function Retrieves the Latest Report



The BT600 is TOPDON's newest advanced battery tester for 12V and 24V vehicles. With a 3.5" color screen and a built-in thermal printer, this tool offers the ultimate solution for accurate, fast, and convenient testing. It allows you to view all of your battery data with ease and print reports in real-time. The BT600 adopts a cutting-edge conductivity testing technology and includes reverse polarity protection against improper connections.

Battery Testers

BT300P

- Built-In Printer to Generate Reports and Provide Results Instantly
- Results are 99.5% accurate
- Smoke-Free and Spark-Free Premium Copper Clamps
- 2.4" Color Screen
- Battery, Cranking, and Charging Tests



TOPDON's BT300P is a precise 12V lead-acid battery tester with a built-in printer. This portable and versatile battery tester can cover ten battery standards, maximizing your capabilities outside of the auto shop. Test a battery's actual CCA value, state of health, cranking system, and charging system with ease and provide top-quality battery service anywhere! This tool is ideal for both the DIY community and professional automotive technicians.

COMPARISON OF BT300P vs BT600P

BT300P

All the BT200 Features, Plus:

Results With **99.5%** Accuracy

2.4" Color Screen

Insulated ABS Shell

Smoke-Free & Spark-Free Premium Copper Clamps

Electric Shock and Reverse Polarity Protection

No Heat Generated

Wide Battery Coverage
CCA Range: 100 To 2000

BT600

All the BT300P Features, plus:

3.5" Color Screen

12V and 24V Vehicles Extra long cables (70.9inches/1.8m)

Battery Testers

BT200



The BT200 is a battery tester for 12V & 24V vehicles with a 2.4" LCD color screen. This device provides results in as little as 10 seconds, making it easier for you to move from one service to another. The BT200 allows you to retrieve the latest test in the data review section to avoid losing important information.

Battery Testers

BT100



The BT100 is a hand-held battery tester for 12V batteries. Providing quick, accurate, and efficient results, this device is a terrific addition to your toolbox. Its price, versatility, and dealer-level accuracy make the BT100 the right tool for the DIY community. Its easy-to-use software helps first-time operators get the job done with ease.

FEATURES AND COMPARISON OF BT100 VS BT200

BT100	BT200
	All of the BT100P Features, Plus:
Battery, Cranking, and Charging Tests	2.4" LCD Color Screen
Reverse Polarity Protection	
Data Review Function Retrieves the Latest Reports	
Supports 12V GEL, AGM, EFB, and Regular Flooded Batteries	Supports 12V & 24V VRLA, GEL, AGM, EFB, and Regular Flooded Batteries
Intuitive Interface with Step-By-Step Guided Procedures	
Small, Compact, and Durable Enclosure	
Premium Copper Clamps	

Ultimate Testing Solution

TOPDON's BT Series of Battery Testers can perform an in-depth analysis of your batteries, including:

- Battery Tests: State of Health, State of Charge, Voltage, Current, Rating, and Analysis
- Cranking Tests: Cranking Voltage, Time, and Analysis
- Charging Tests: Voltage Output and Analysis

Battery Testers

BT100W

Run battery tests through the BT100W tool or app

- Receive accurate test results in seconds
- Run battery tests, cranking tests, charging tests, and system tests for 12V lead acid batteries
- Automatically generated test reports
- Robust battery library
- Data Synchronization: When running tests through the app, users can view the testing data from the BT100W on their phone simultaneously
- Test Record Synchronization: Once the device is connected to the app via Bluetooth, the test reports that have been saved on the device will be synchronized to the app's test report library



The BT100W is a battery tool that gives users the efficiency of a plug-and-play tool and the robust data analysis of a high-tech digital tester. The BT100W brings versatility to every garage because it can function as a standalone battery tester and run a variety of tests. Users can tap into the device's app for more advanced functions, enhanced data analysis, and view or save battery test reports in a separate folder. The versatility of the BT100W even extends into the number of languages the tool operates in. Users can select from eight languages to operate the BT100W device and nine languages from the BT100W app.



Battery Testers

BT50

Improved Speed & Accuracy

■ The BT50 adopts a cutting-edge conductivity testing technology to offer the most accurate and complete test results in seconds!

Crucial Features. Huge Coverage.

■ Offering the most essential features, this battery tester can perform battery, charging, and cranking tests on all types of 12V Lead-Acid batteries. With this tool, users can analyze the starting & charging systems on a wide array of batteries!

Review Data With Ease Anytime

■ The BT50 includes a Data Review Function so users can get another look at their reports and any battery test-related information at any time.

Spark-Free Tech for Even More Protection

■ Featuring innovative spark elimination technology, the BT50 provides unparalleled safety to its users and avoids the risks of overheating. It also includes reverse polarity protection to prevent improper connections that could result in battery damage.

Ideal For Everyone

■ With superior value, an intuitive interface, and unparalleled efficiency, the BT50 is the ideal tool for users of all skill levels!

The BT50 is TOPDON's newest battery tester, equipped with the most advanced conductance testing technology to provide higher levels of precision and performance.

This tool also incorporates reverse polarity protection for extra safety, eliminating the risk of improper connections.

The BT50 supplies its users with critical information about the battery's health & status and identifies problems quickly, easily, and accurately. By combining value and efficiency, this tool is perfect not only for beginners but also for professionals.



Battery Testers

BT20

- Suitable for 12V Lead-Acid Batteries.
- Supports a 5-20V Test Range.
- Simple Convenient Bluetooth Connection.
- Intuitive and Easy-to-use App with Guided Operations.
- Displays the Voltage Waveform Graphs in its App.
- Includes High-Precision Voltage Detection.
- Offers Real-Time Voltage Monitoring.
- Full Functionality Includes Battery, Charging, Cranking Tests and Voltage Test (no-load& load).
- Displays Battery Life, Charge & Discharge Status, and More.
- Highly Accurate Load Testing Method.
- Data Playback Function.
- Generates Reports for Easy Sharing and Troubleshooting.
- LCD High-Resolution Screen.



The BT20 is an entry-level wireless 12V battery tester. Equipped with a full range of features, this tool is suitable for the most common 12V lead-acid battery types. Taking the BT series to a greater level, it offers high-precision voltage detection and real-time voltage monitoring. This easy-to-use device lets any user, regardless of skill level, view voltage waveform graphs and test reports through an app. Its load test method provides accurate results, making the BT20 a battery tester with superb cost-effectiveness.



Battery Testers

BTMobile Pros

- Turns Your Diagnostic Scan Tool Into a Battery Tester
- Compatible with the Phoenix Series of Scanners
- 3 LED Indicators
- Battery, Cranking, and Charging Tests
- Tablet Compatibility
- Dual Bluetooth 3.0/4.0
- Test Voltage: 12V
- Test Range: 100~2000CCA
- Battery Type: Regular flooded, AGM ,EFB, GEL
- Test Standards: CCA, BCI, CA, MCA, JIS, DIN, and more

The BTMobile Pros is an advanced-level wireless battery tester designed especially for professional technicians. This tool provides accurate test results in less than a minute, improving your shop's productivity and reducing downtime. With its dual Bluetooth connection and wider compatibility, this device offers power and flexibility. **Compatible with TOPDON's Phoenix Series of Scanners**, this device can turn your Diagnostic Scan Tool into a Battery Tester.



Battery Testers

BTMobile Pro

- 3 LED Indicators
- Battery, Cranking, and Charging Tests
- Bluetooth 4.0 / up to 10m Transmission distance
- Smartphone and Tablet Compatibility (Android/iOS)
- Test Voltage: 12V
- Test Range: 100~2000CCA
- Battery Type: Regular flooded, AGM, EFB, GEL
- Test Standards: CCA, BCI, CA, MCA, JIS, DIN, and more



TOPDON's BTMobile Pro is a Bluetooth battery, cranking and charging system analyzer ideal for DIY users. The compact enclosure is designed for superior durability. The BTMobile Pro comes with a "battery library" that makes it easier for users to look up which battery is suitable for each vehicle, providing reliable data and reducing human error.

Battery Testers

BTMobile Lite

- Battery Test: State of Health, State of Charge, Voltage, Current, Rating, and Analysis
- Cranking Test: Cranking Voltage, Time, and Analysis
- Charging System Test: Voltage Output and Analysis
- Provides Accurate Results in Less Than 10 Seconds
- Includes 2 LED Indicators
- Bluetooth 4.0 / Up To 65" Transmission
- Smartphone Compatibility



The BTMobile Lite is a wireless 12V battery tester that offers a convenient way to run battery, cranking, and charging tests – all from one compact and portable device that can be stored in the glove box. Simply clamp the battery terminal correctly, then run the tests from your phone. This is an easy-to-use product ideal for the DIY community while providing reliable results with extreme accuracy.



FEATURES AND COMPARISON OF BTMOBILE LITE VS PRO VS PROS

BTMobile Lite	BTMobile Pro	BTMobile Pros
	All BTMobile Lite's Features, plus:	All BTMobile Lite's Features, plus:
Supports 12V Batteries	3 LED Indicators	Compatible with the Phoenix Series of Diagnostic Tools
Battery, Cranking, and Charging Tests	24v Cranking, and Charging Tests	Battery Library
2 LED Indicators	Compatible with the smartphones and tablets	
Smartphone Compatibility	Battery Library	

Your Complete Solution for Wireless Battery Testing

- The BT Mobile Series of tools provide you the most convenient, compact, and portable solution for battery testing.
- This advanced tool is small enough to fit in any technician's toolbox, providing more value to users.

Battery Testers

V2200Plus

- Starts all 12V battery vehicles with up to 8.0L gas or 6L diesel engines in seconds
- 2200A peak current
- Doubles as a wireless lead-acid battery tester through the tool's app
- 6 safety protection measures
- The USB type-c port supports PD60W bidirectional quick charging
- Multi-functional LED Light, Provides 3 illumination modes: Flashlight, SOS and Strobe
- USB Output for recharging smartphones, tablets, and more
- DC Output for powering 12V devices (air purifier and tire inflation, etc.)
- 16000mAh Versatile Power Supply
- Load, No Load, and Ripple Voltage Tests
- Charging Tests: Voltage, SOH, SOC, Internal Resistance
- Cranking Tests: Cranking Time and Cranking Voltage Test
- Battery Tests: Test CCA, Rated CCA, and Battery Health Status
- Generates Jump Start Reports
- View jump-start time to let you replace through the app
- Boost Function



The V2200Plus is a jump pack that takes on and prevents the unexpected. Offering 35 jumps on a full charge, smart clamps to protect against common safety hazards, and features a 300-lumen LED light. A built-in Bluetooth module supports 12V battery tests by pairing an app through Bluetooth, provides cranking and battery test reports, and before it dies.



Jump Starters

JumpSurge3000

Be Ready for Anything

- 45 Jump Starts on a Full Charge
- Boost Function Revives Dead or Damaged Batteries
- Sturdy Outer Housing is Resistant to Water, Dust, and Wear

Have Brighter Light In Emergency Situations

- 400 Lumens Flashlight With 3 Different Modes - Steady Light, SOS, and Strobe

Safety Features Protect You Every Time the JumpSurge 3000 is in use

- Innovative Stop Spark™ Sensors Protect the battery and the user against reverse polarities, short circuits, over-currents, reverse charges, over discharges, over temperatures, and low temperatures

The JumpSurge3000 is a 3000 Peak Amp jumpstarting tool and power bank for vehicles on and off the road. This device supports vehicles with 12V batteries on up to 9L gas engines and 7L diesel engines. Capable of 45 jump starts on a single charge, the JS3000 is a robust and powerful tool capable of bringing a battery "back to life" in only 1 second. Its multiple protection systems and fast charging capability will keep you ready for anything, no matter where you go or what you drive.



COMPARISON OF JS2000 VS JS3000

JS2000

16000mAh

Boost Function Revives Dead or Damaged Batteries

Innovative Stop Spark™ Sensors designed to pause if used too many times within 10 minutes. This prevents overheating and damage.

Jump Start Batteries Within 1 to 2 Seconds

300 Lumens Flashlight With 3 Different Modes - Steady Light, SOS and Strobe

Heavy-Duty Premium Copper Clamps

USB Quick Charge 3.0 Port

Up to 35 Jump Starts Per Charge

Sturdy Outer Housing Resistant to Water, Dust, and Wear

Revive up to 8L gas vehicles, 6L diesel vehicles

Smart Protection Features Prevent 7 Serious Hazards: Reverse Polarities, Short Circuits, Over Currents, Reverse Charges, Over Discharges, Over Temperatures and Low Temperatures.

JS3000

24000mAh

Boost Function Revives Dead or Damaged Batteries

Innovative Stop Spark™ Sensors designed to pause if used too many times within 10 minutes. This prevents overheating and damage.

Use the 3000 Peak cranking amps and give life-saving jumps in 1 second.

400 Lumens Flashlight With 3 Different Modes - Steady Light, SOS and Strobe

Heavy-Duty Premium Copper Clamps

USB Quick Charge 3.0 Port PD45W in/out

Up to 45 Jump Starts Per Charge

Sturdy Outer Housing Resistant to Water, Dust, and Wear

Revive up to 9L gas vehicles, 7L diesel vehicles

Smart Protection Features Prevent 7 Serious Hazards: Reverse Polarities, Short Circuits, Over Currents, Reverse Charges, Over Discharges, Over Temperatures and Low Temperatures.

Jump Starters

JumpSurge2000

- 35 Jump Starts on a Full Charge
- Boost Function Revives Dead or Damaged Batteries
- Innovative Stop Spark™ Sensors
- 300 Lumens Flashlight
- USB Quick Charge 3.0 Port
- Sturdy Outer Housing is Resistant to Water, Dust, and Wear



The JumpSurge2000 is a 2000 Peak Current power bank and jump-starter for 12V battery vehicles (up to 8L gas engines and 6L diesel engines). Its Boost Function™ jumpstarts dead or damaged batteries – a must-have for all drivers! With the JS2000, you'll be able to make up to 35 jumps on a single charge, never be stranded with a dead battery! The built-in LED flashlight keeps you out of the dark, and the power bank function allows you to fully charge your mobile devices in less than an hour.

Jump Starters

JumpSurge1200

- 25 Jump Starts on a Full Charge
- Boost Function Revives Dead or Damaged Batteries
- Innovative Stop Spark™ Sensors
- 300 Lumens Flashlight
- USB Quick Charge 3.0 Port
- Sturdy Outer Housing is Resistant to Water, Dust, and Wear



The JumpSurge1200 is a 1200 Peak Cranking Amp power bank and jump-starter for 12V battery vehicles (up to 6.5L on gas engines, and 4L on diesel engines). The JS1200 allows you to revive your battery, and never get stranded on the road! It comes with a Boost Function™ that can start dead or damaged batteries and can charge all your devices faster than a standard charger. The JumpSurge1200 is the ideal on-the-go tool for drivers who want to be prepared for the unexpected.

COMPARISON OF JS1200 VS JS2000

JS1200	JS2000
10000mAh	16000mAh
Boost Function Revives Dead or Damaged Batteries	Boost Function Revives Dead or Damaged Batteries
Innovative Stop Spark™ Sensors designed to pause if used too many times within 10 minutes. This prevents overheating and damage.	Innovative Stop Spark™ Sensors designed to pause if used too many times within 10 minutes. This prevents overheating and damage.
1200 Peak Cranking Amps	2000 Peak Cranking Amps
300 Lumens Flashlight With 3 Different Modes - Steady Light, SOS and Strobe	300 Lumens Flashlight With 3 Different Modes - Steady Light, SOS and Strobe
Heavy-Duty Premium Copper Clamps	Heavy-Duty Premium Copper Clamps
USB Quick Charge 3.0 Port	USB Quick Charge 3.0 Port
Up to 25 Jump Starts Per Charge	Up to 35 Jump Starts Per Charge
Sturdy Outer Housing Resistant to Water, Dust, and Wear	Sturdy Outer Housing Resistant to Water, Dust, and Wear
Revive up to 6.5L gas vehicles, 4L diesel vehicles	Revive up to 8L gas vehicles, 6L diesel vehicles
Smart Protection Features Prevent 7 Serious Hazards: Reverse Polarities, Short Circuits, Over Currents, Reverse Charges, Over Discharges , Over Temperatures and Low Temperatures.	Smart Protection Features Prevent 7 Serious Hazards: Reverse Polarities, Short Circuits, Over Currents, Reverse Charges, Over Discharges , Over Temperatures and Low Temperatures.

Power Station

Hurricane200

- **Battery Capacity:** 36000mAh, 129.6Wh
- **USB Output:** 5V/3.1A (Max)
- **Charging Input:** DC 15V/2A
- **Charging Time:** 6~7 Hours (DC 5V/2A)
- **DC Power:** DC 9~12.6V/10A
- **AC Power:** 200W (Continuous); 250W (Peak)
- **AC Output:** AC 100V~240V 50~60Hz
- **Cycle Life:** >500
- **Working Temperature:** -20°C~40°C (-4°F - 104°F)

TOPDON's Hurricane200 keeps your batteries charged when the power goes out. The Hurricane serves as a portable lithium power station specially designed for charging our day-to-day electronic devices. This is the ideal portable charging tool for home use, camping, fishing, and other outdoor activities. But it doesn't stop there! It features a built-in flashlight and multi-use outputs designed for laptops, phones, vacuums, air pumps, and more. The Hurricane200 keeps you prepared for anything from natural disasters, to power outages, to the family camping trip.



Tornado90000

Adjustable Modes and Functions for Precise Work

- 6 Charging Modes to Ensure the Right Current and Voltage
- Monitor Output at All Times, Taking Out the Guesswork and Preventing Human Error
- Adjustable Current and Voltage Function: Adjusts the Voltage Range from 11-15.8V and 22-31.6V
- Adjustable Charging Currents of 5-90A (12V) and 5-45A (24V)

Programming and Wide Charging Coverage Maximize Your Efficiency

- ECU Programming Voltage Stabilizer
- Suitable for Batteries from 20-2800Ah. Charge a Wide Variety of 12V and 24V Batteries, Such as AGM, WET, GEL, MF, CAL, and EFB

Maximum Built-In Safety Functions For Working with High Voltages

- Protects Against Reverse Polarities, Reverse Charges, Short Circuits, Overheating, and Over-voltages
- Built-in Temperature Sensor Protects the Device Being Charged



The Tornado90000 is TOPDON's professional-grade smart charger. Offering improved capabilities, this device is suitable for all types of 12V and 24V lead-acid batteries ranging from 20Ah to 2800Ah. The Tornado90000 works as an ECU Programming Voltage Stabilizer, has built-in temperature sensors, and 6 programmable charging modes. Superior functionality expands your auto shop's capabilities, letting you do more than ever before.

Tornado30000

Maximum Versatility

- Works on 6V, 12V, & 24V Batteries
- 12 Charging Modes
- 3 Charging Currents: 30A, 15A, and 10A

Additional Testing and Charging Capabilities Let You Do More

- Charges Multiple Batteries at Once
- Checks for Sulphation and Acid Stratification

Built-In Safety For Working With High Voltages

- 9-Step Smart-Charging
- Protects Against Reverse Polarities, Reverse Charges, Short Circuits, Overheating, and Over-Voltages
- Water-Resistant, ABS Flame Retardant, Prevents Sparks



The Tornado30000 is an upper-mid-level smart charger made for personal or commercial use. It can revive 6V, 12V, and 24V lead-acid batteries as well as 12V lithium batteries. This device supports a range of battery capacities from 50Ah to 1000Ah. With a 9-step smart charging method and 12 charging modes, the Tornado30000 provides unparalleled protection and charging capabilities for its users.

COMPARISON OF TORNADO30000 VS TORNADO90000

Tornado30000

Works on 6V, 12V, & 24V Batteries

9 Step Smart-Charging

12 Charging Modes

3 Charging Currents: 30A, 15A, and 10A

Charges Multiple Batteries at Once

Checks for Sulphation and Acid Stratification

Protects Against Reverse Polarities, Reverse Charges, Short Circuits, Overheating, and Over-Voltages

Tornado90000

The Current and Voltage Edit Function adjusts the voltage range from 11-15.8V and 22-31.6V

9 Step Smart-Charging

6 Programmable Charging Modes

The T90000 also offers two adjustable charging currents of 5-90A (12V) and 5-45A (24V).

Power a wide array of in-car appliances, including tire inflators, car vacuums, car fridges, and much more.

ECU Programming Voltage Stabilizer

Protects Against Reverse Polarities, Reverse Charges, Short Circuits, Overheating, and Over-Voltages

Built-in Temperature Sensor

A Stable Power Supply for Your Devices

Battery Chargers

TB8000

- 9-Step Smart Charging System
- Instantly Checks Battery Sulphation and Acid Layer
- Promotes Repair of Lost Battery Performance
- 6 Charging Modes: 12V Norm, 12V Cold, 12V Lithium, 12V Small Norm, 6V Norm, and 12V Repair
- Offers a Voltage Detection Function
- ABS Flame-Retardant, IP65 Waterproof, and Dustproof Housing
- Suitable For AGM, WET, GEL, MF, CAL, EFB, and More Batteries
- 5 Built-In Protections (Reverse Polarity, Reverse Charge, Short Circuit, Overheating, And Over-Voltage)

The TB8000 is TOPDON's newest smart charger - a must-have tool for the DIY community. This product works on 6V/12V lead-acid batteries, 12V lithium batteries and supports a wide range of capacities from 15Ah to 260Ah. With a 9-step smart charging method and six charging modes, the TB8000 provides extra protection to batteries and users alike.



Battery Chargers

TB6000Pro

2 In 1 Smart Battery Charger & Tester

- The bridge between a smart automotive charger and a professional battery tester.

Customizable 9-Step Charging Mode

- The TB6000Pro allows you to customize the 3 modes of charging and set the run time. Set the voltage between 6 and 16V, and the current between 1 and 6A adjustment with maximum precision to give your battery attentive protection. The expert mode allows users to set their own specs for each of the 9-steps, and allows you to charge and generate a waveform preview graph in the App.

Timed Automatic Charging

- The smart safety functions not only protect you, but also save you money. Use the cumulative billing function to help you track your electricity usage and keep your bills down.

Smart Charging with Pre and Post Report

- The TOPDON TB6000Pro offers an industry-first smart charging mode, which can display a pre- and post-report showing accurate data comparison. In the smart charging mode, the TB6000Pro will automatically perform a pre-detection on the battery once you start to charge it and allow you to test the battery again with the "View Report" function to generate a pre- and post-report. By comparing the data including CCA, Internal Resistance, Voltage, State of Health, the report clearly indicates how much the battery has been improved after being charged.

Automatic Battery Maintenance and Monitoring

Review battery data with ease anytime

Safe: Water and Dirt-Resistant



The TB6000Pro is a hi-tech 2-in-1 battery charger and battery tester. It features 9-step smart charging technology for fast and safe charging of 6V/12V lead-acid batteries and 12V lithium batteries. The TB6000Pro pairs to smartphones via Bluetooth to customize and monitor the battery charging. It supports voltages between 6-16V, currents between 1-6A, and can make adjustments with high precision, and timed charging through the device's app.

Not just a charger, but also a battery tester. Using a superior testing method, It can run battery, cranking, and charging tests with greater accuracy. Gain and provide critical battery knowledge to your customers.

This two-in-one battery tool offers technicians incredible functionality and versatility.



Battery Chargers

Tornado1200

- Battery Charger, Trickle, Maintainer, Charger, & Desulfator
- 5-Step Smart Charging Technology
- Compatible with 6V & 12V Lead-acid and 12V Lithium-ion Batteries from 10Ah up to 80Ah
- 5 Unique Charging Modes to Suit Requirements for Small and Large Batteries Even in Cold Temperatures
- Charges 2X Faster Than Ordinary Battery Tools
- 5 Built-in Protections Against Reverse Polarity, Over Voltage, Over Charging, Over Heating & Low Voltage
- Safe 24/7 Connection, UV & IP65 Water-resistant
- Compact Design & Intuitive LED Indicators



The Tornado1200 is a 6V & 12V Lead-Acid Battery and Lithium-Ion Battery charger. Featuring a battery maintainer, trickle charger, and battery desulfator, this is an all-in-one battery tool. The Tornado1200 offers multi-step protection for small and large batteries even in cold temperatures and is housed in a rugged, water-resistant enclosure. The versatility and durability mean this product will last longer and save you money in the long run.

Battery Chargers

Tornado4000

Expands on the T1200's capabilities by offering:

- Battery Maintainer, Trickle Charger, and Battery Desulfator
- Includes 5 Charging Modes
- Compatible With 6V & 12V Lead-Acid and 12V Lithium-Ion Batteries up to 150Ah
- Offers a 9-Step Smart Charging Technology
- SUPPLY mode: Supply Constant Voltage of 13.5V and Power On-board Devices with Current up to 4A
- Works In Cold Temperatures
- Provides a Safe 24/7 Connection
- UV Resistant & IP65 Waterproof Enclosure
- Intuitive LED Indicators
- One-tap Charging & Memory Functions



The Tornado4000 is more than just a smart compact battery charger. It's a battery maintainer, trickle charger, battery desulfator, and a DC power supply all in one. Tornado4000 can supply a constant 13.5 volts DC to power on-board devices drawing up to 4 amps. 5 charging modes combined with 9-Step Smart Charging technology make the Tornado4000 highly versatile. An IP65 waterproof enclosure and cold weather capability (down to -4°F) ensure a wide operating environment range, while also being lightweight and portable. Operation is easy thanks to the intuitive LED indicators.

COMPARISON OF TORNADO1200 VS TORNADO4000 VS TB8000

Tornado1200	Tornado4000	TB8000
Battery charger, trickle, maintainer, charger & desulfator	Battery maintainer, trickle charger, plus battery desulfator	Battery maintainer, trickle charger, plus battery desulfator
5-Step 1.2A Smart Charging technology	9-Step 4A Smart Charging technology	9-Step 12A/4V Smart Charging Technology
Compatible with 6V & 12V Lead-acid and 12V lithium-ion batteries from 10Ah up to 80Ah	Charges 2X faster than ordinary battery chargers	Charges 3X Faster Than Ordinary Battery Chargers
5 Built-in protections against Reverse Polarity, Over Voltage, Overcharging, Overheating & Low Voltage	Universally compatible with 6V & 12V Lead-acid, and 12V lithium-ion batteries up to 150Ah	Compatible with 6V&12V Lead-Acid, and 12V Lithium-Ion Batteries Up To 260Ah
Safe 24/7 connection, UV & IP65 water resistant	5 Built-in protections against Reverse Polarity, Over Voltage, Overcharging, Overheating and Low Voltage	5 Built-In Protections Against Reverse Polarity, Over Voltage, Overcharging, Overheating and Low Voltage
5 Unique Charging Modes	Safe 24/7 connection, UV & IP65 water resistant	Safe 24/7 Connection, UV & IP65 Water-Resistant
	5 Unique Charging Modes	6 Unique Charging Modes

THERMAL IMAGER

Thermal Imager

TC005

All of the TC004 Features, Plus:

- Wide Field of View: 52.5°x 39.5°
- High Resolution Camera: 256*192 Pixels
- Wide Temperature Range: -20°C to 550°C (-4°F to +1022°F)
- Automatic Temperature Detection
- Drop Proof Up To 2 Meters (6.6 ft.)
- Multiple Imaging Modes
- PC Compatible
- IP54 Rating to Protect Against Water and Dust
- 12-Hour Battery Life
- Built-In LED light

The TC005 is a handheld thermal camera that measures an expansive temperature range. From -20°C to 550°C (-4°F to +1022°F), and offers a 12-hour runtime. The high-resolution 256*192 pixel infrared camera allows you to say goodbye to blurry images. The tool is ready for analysis with the standalone and the PC modes, enabling users to project and upload images from the TC to their PC.



Thermal Imager

TC004

- Wide Field of View: 52.5°x 39.5°
- High Resolution Camera: 256*192 Pixels
- Wide Temperature Range: -20°C to 350°C (-4°F to +662°F)
- Automatic Temperature Detection
- Drop Proof Up To 2 Meters (6.6 ft.)
- Multiple Imaging Modes
- PC Compatible
- IP54 Rating to Protect Against Water and Dust
- 12-Hour Battery Life
- Built-In LED light



The TC004 is a handheld thermal camera that measures a wide range of temperatures, from -20°C to 350°C (-4°F to +662°F), and offers a 12-hour runtime. The high-resolution 256*192 pixel infrared camera allows you to say goodbye to blurry images. The tool is ready for analysis with the standalone and the PC modes, enabling users to project and upload images from the TC to their PC.

Thermal Imager

TC003

- 5-inch HD Touch Screen
- Dual Lens With 256*192 Infrared Resolution
- Adjustable Thermal Display
- Built-In Lens Protector
- Supports Image Fusion



The TC003 is an open system Android tablet infrared thermal imager, with dual optics and maximum versatility, designed to provide accurate thermal imaging for everyone. Featuring a visible and infrared dual lens, to support dual optical fusion and can connect to a computer and work on a PC. The tool can use Wi-Fi to connect to phones remotely for total versatility while using the tool, including home repair, HVAC, house inspections, professional car service, or protecting crops and livestock.

Thermal Imager

TC001/TC002

- Accurate temperature measurement detects Temperatures Ranging From -20°C to 550°C(-4°F to 1022°F).
- Preset the Temperature Range to Automatically Detect and Mark Abnormal Temperatures.
- Record Temperature Data Through the App.
- High-Quality Image Display With a High-Resolution Camera(256 X 192).
- Heavy-Duty Aluminum Enclosure, with a 2m drop test rating.
- Highly portable.
- Low power consumption of 0.35W ensures longer battery life.
- Use the app to view the real-time temperature graph.
- Features a new and improved processor with faster speed in a smaller package.



TC001

The TC Series turns a smartphone into a thermal imager. With this device, a technology that once belonged to special forces now comes to your smartphone. With many real-world applications, it can be used for cylinder inspections, insulation inspections, and water leak inspections.



TC002

The TC001 is designed for Android phones, tablets and Window laptop. The TC002 is designed for iPhone and iPad. Both are designed to provide accurate thermal imaging for everyone, no matter the job.

FEATURES AND COMPARISON OF THERMAL CAMERA SERIES

Items	TC001	TC002	TC003	TC004	TC005
Display screen	NA	NA	5-inch, 854*480 touchscreen	2.8 inch, 320*240 screen	2.8 inch, 320*240 screen
Compatible systems	Android/Windows devices	iOS devices	Android/Windows devices	Standalone/Windows devices	Standalone/Windows devices
Storage	NA	NA	2GB RAM+32GB storage	2GB RAM+16GB TF card	2GB RAM+16GB TF card
Battery type	NA	NA	In-built 5000 mAh battery	In-built 5000 mAh battery	In-built 5000 mAh battery
Measuring range	-20 to 550°C (-4 to 1022°F)	-20 to 550°C (-4 to 1022°F)	-20 to 550°C (-4 to 1022°F)	-20 to 350°C (-4 to 662°F)	-20 to 550°C (-4 to 1022°F)
Measuring modes	Dot, line, plane	Dot, line, plane	Dot, line, plane	Center spot, hot spot, cold spot	Center spot, hot spot, cold spot
Measuring accuracy	±2°C or ±2%	±2°C or ±2%	±2°C or ±2%	±2°C or ±2%	±2°C or ±2%
Gross weight (g)	220	220	900	1100	1100
Device weight (g)	30	30	367	520	520
Dimensions (mm)	140*102*46	140*102*46	221*140*186	280*165*120	280*165*120
LED flashlight	NA	NA	Yes	Yes	Yes
Visible light camera	NA	NA	2 MP low-light night vision camera	NA	2 MP
Infrared light resolution	256*192	256*192	256*192	256*192	256*192
Image modes	Thermal Imaging, Dual Fusion	Thermal Imaging, Dual Fusion	Thermal Imaging, Invisible, Dual Fusion, PIP	Thermal Imaging	Thermal Imaging, Dual Fusion, Visible, Image-in-Image
Pseudo color bar	9	11	9	4	7
Frame rate	25Hz	25Hz	25Hz	20Hz	20Hz
NETD	<40mK	<40mK	<40mK	<40mK	<40mK
FOV	56.0°×42.2°×71.3°	56.0°×42.2°×71.3°	56.0°×42.2°×71.3°	52.5°x 39.5°	52.5°x 39.5°
Focal range	3.2mm (0.25m)	3.2mm (0.25m)	3.2mm (0.25m)	3.2mm (0.25m)	3.2mm (0.25m)
Tripod screw hole	/	/	Yes	Yes	Yes
Waterproof	/	/	IP54	IP54	IP54
PC-based analysis software	Yes	No	Yes	Yes	Yes
Languages	13	13	13	13	13

CONTACT US

www.topdon.com

sales@topdon.com

support@topdon.com

Social Media: [@topdonofficial](#) | [@topdonusa](#)



(North America) +1-833-629-4832

(Global Headquarters) +86-755-21612590

©2023 TOPDON

ADDRESS

TOPDON HQ

20&32/F, No.3040 Xinghai Avenue,
Qianhai Shimao Tower,
Qianhai Shenzhen-HongKong Cooperation Zone,
Shenzhen, PR, China | 518000

USA TOPDON Office

400 Commons Way, Suite A, Rockaway, NJ 07866