

Detec Wall Mount for Dome Camera

DTC-BRKOIMDG2-WMB



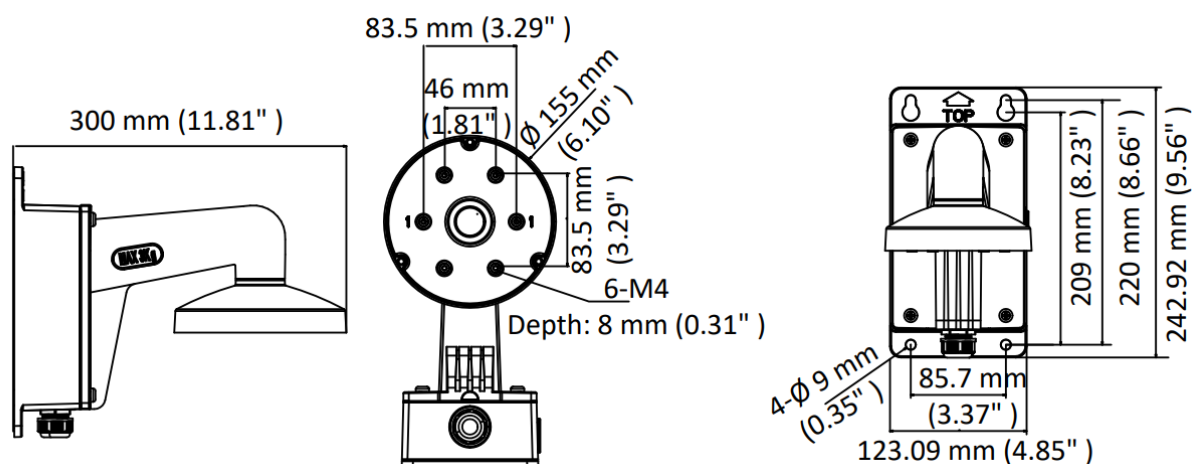
Feature

- Aluminum alloy with surface spray treatment
- The cap facilitates the installation
- Waterproof design

Detec AS – Widerøveien 5, N-1360 Fornebu, NORWAY – www.detec.no

Detec AS continuously develop products, and reserve the right to change specifications and prices without prior warning. This document is under constant change, and may be subject to error.

Dimension:



Parameter

Model	DTC-BRKOIMDG2-WMB
Parameters	Wall Mount for Dom Camera
Appearance	Hikvision White
Material	Aluminum Alloy
Dimension	Ø 155 mm x 243 mm x 300 mm (5.10" x 9,56" x 11,81")
Weight	1750 g (3.86 lb.)

Note

- The mount should be installed on the flat surface.
- The waterproof rubber is necessary for the outdoor application.
- The wall must be capable of supporting at least 3 times as much as the total weight of the camera, and the mount.
- The mount's maximum load capacity is 3 kg (6.61 lb.).