

# Detec 5MP Minidome IP Camera

---

*DTC-OIMD5MPWDIRP*

**1/3" CMOS, 2.8-12mm, Digital WDR, H.264+, 20fps, Two-way Audio, I/O,  
Micro SD slot, 20m IR, Vandal-Proof, IP66, PoE**



## Key Features

- 5 Megapixel High Resolution
- Dual Video Streams
- 2.8mm to 12mm Motorized Lens
- Digital Wide Dynamic Range
- 3D Digital Noise Reduction
- PoE 802.3af
- IR Range 20 Meters (~65 feet)
- IP66 and IK10 Protection
- Audio and Alarm Input/Output
- Edge Storage MicroSD slot, 128 GB

Detec AS – Widerøveien 5, N-1360 Fornebu, NORWAY – [www.detec.no](http://www.detec.no)

## Specification

### Camera

<b>Image Sensor:</b>	1/3" Progressive Scan CMOS
<b>Signal System:</b>	PAL/NTSC
<b>Min. Illumination:</b>	Color: 0.014 lux @ (f/1.4, AGC on); B/W; 0 lux with IR
<b>Shutter time:</b>	1/3 s to 1/10,000 s
<b>Slow shutter:</b>	Yes
<b>Lens:</b>	2.8 - 12 mm @ F1.4, Motorized lens
<b>Lens Mount:</b>	φ14
<b>Adjustment Range:</b>	Pan:0° - 355°, Tilt: 0° - 75°, Rotation: 0° - 355°
<b>Day&amp; Night:</b>	IR cut filter (Auto/Schedule/Alarm Trigger)
<b>Wide Dynamic Range:</b>	DWDR
<b>Digital noise reduction:</b>	3D DNR

### Compression Standard

<b>Video Compression:</b>	H.264/MJPEG/H.264+
<b>H.264 code profile:</b>	Main Profile
<b>Video bit rate:</b>	256Kbps~16Mbps
<b>Dual Stream:</b>	Yes

### Image

<b>Max. Image Resolution:</b>	2560 x 1920
<b>Frame Rate:</b>	50Hz: 20fps (2560 × 1920), 25fps (2048 × 1536, 1920 × 1080, 1280 × 720) 60Hz: 20fps (2560 × 1920), 30fps (2048 × 1536, 1920 × 1080, 1280 × 720)
<b>Image Enhancement:</b>	WDR, BLC, ROI
<b>Image Settings:</b>	Rotate Mode, Saturation, Brightness, Contrast, Sharpness adjustable by client software or web browser
<b>BLC:</b>	Yes, zone configurable
<b>ROI:</b>	Yes, 4 regions

### Network

<b>Network Storage:</b>	NAS (Support NFS, SMB/CIFS), ANR
<b>Alarm Trigger:</b>	Line Crossing, Intrusion Detection, Motion detection, Dynamic analysis, Tampering alarm, Network disconnect, IP address conflict, Storage exception
<b>Protocols:</b>	TCP/IP, UDP, ICMP, HTTP, HTTPS, FTP, DHCP, DNS, DDNS, RTP, RTSP, RTCP, PPPoE, NTP, UPnP, SMTP, SNMP, IGMP, 802.1X, QoS, IPv6, Bonjour
<b>Security:</b>	User authentication, watermark, IP address filtering, anonymous access, reset
<b>System Compatibility:</b>	ONVIF (Profile S, Profile G), PSIA, CGI, ISAPI

### Interface

<b>Audio:</b>	1-ch 3.5 mm audio in (Mic in/Line in)/out interface
<b>Communication Interface:</b>	1 RJ45 10M / 100M Ethernet interface
<b>Alarm Input:</b>	1
<b>Alarm Output:</b>	1
<b>On-board storage:</b>	Built-in Micro SD/SDHC/SDXC slot, up to 128 GB
<b>Reset Button:</b>	Yes

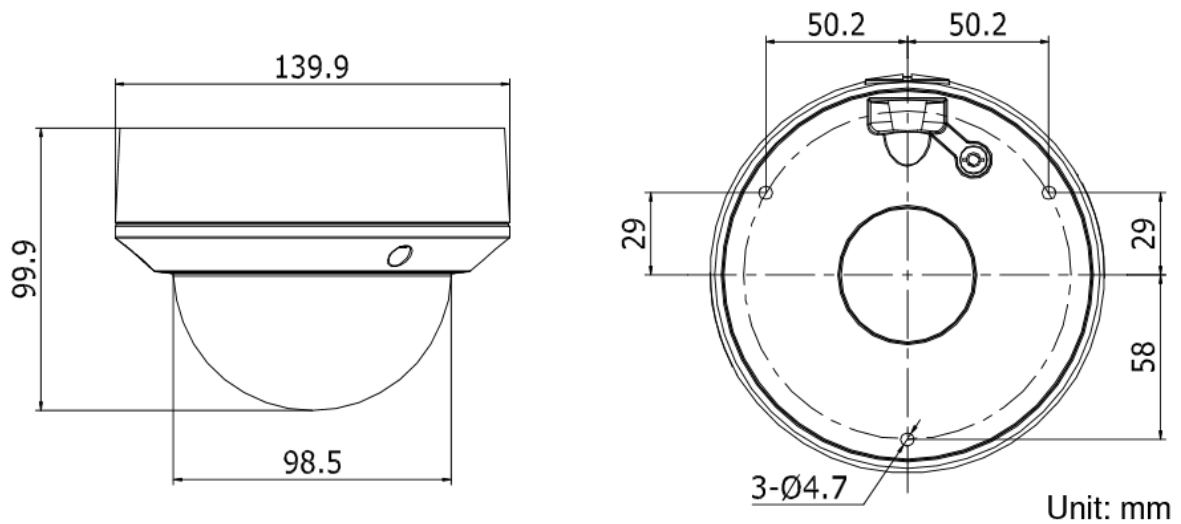
### General

<b>Operating Conditions:</b>	-30 °C ~ 60 °C (-22 °F ~ 140 °F) Humidity 95% or less (non-condensing)
<b>Power Supply:</b>	12 VDC ± 10%, PoE (802.3af)
<b>Power Consumption:</b>	Max. 5.5 W
<b>Impact Protection:</b>	IEC60068-2-75Eh, 50J; EN50102, IK10
<b>Weather Proof:</b>	IP66

Detec AS – Widerøveien 5, N-1360 Fornebu, NORWAY – [www.detec.no](http://www.detec.no)

<b>IR Range:</b>	Up to 20m
<b>Dimensions:</b>	95×105×258.6 mm (3.74" × 4.13" × 10.18")
<b>Weight:</b>	1200g (2.60lbs)

### Dimensions



### Accessories



Junction Box;  
DTC-BRKOIMD-JB



Wall Mount Bracket incl.  
Junction Box;  
DTC-BRKOIMD-WMJB



Wall Mount Bracket;  
DTC-BRKOIMD-WM



In-Ceiling Mount Bracket;  
DTC-BRKOIMD-CM