



D E T E C

# Detec Full HD Minidome IP Camera

## *DTC-OIMD2MPWDIRP-G3*

**3<sup>rd</sup> Generation, 1/2.8" CMOS, 2.8-12mm, 120dB WDR, H.265+, 1080p,  
25/30fps, Two-way Audio, I/O, Micro SD slot, 30m IR, IK10, IP66, PoE**



## AcuSense

Empowered by deep learning algorithms, AcuSense technology brings human and vehicle targets classification alarms to front- and back-end devices.

The system focuses on human and vehicle targets, vastly improving alarm efficiency and effectiveness.

Powered by

**DarkFighter**



## Key Features

- 1/2.8" Progressive Scan CMOS
- 1920 × 1080 resolution; High quality imaging with 2 MP resolution
- 2.8 to 12 mm focal length; FOV(H): 113° to 31°
- Ultra-low light; Excellent low-light performance with powered-by-DarkFighter technology
- H.265, H.265+, H.264+, H.264
- Clear imaging against strong back light due to 120 dB true WDR (Wide Dynamic Range) technology
- BLC/3D DNR/ROI
- IP66, IK10
- 4 behavior analyses and face detection

Detec AS – Widerøeveien 5, N-1360 Fornebu, NORWAY – [www.detec.no](http://www.detec.no)

Detec AS continuously develop products and reserve the right to change specifications and prices without warning. This document is under constant change and may be subject to error.



## Specifications

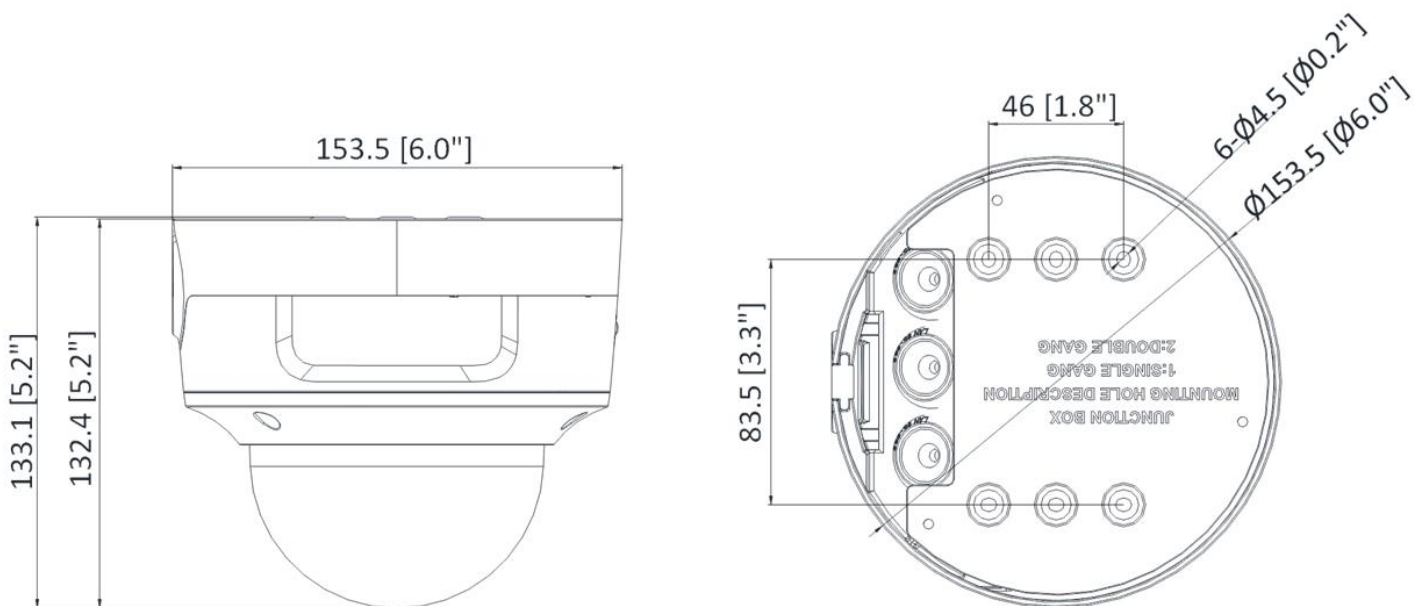
Camera	
Image Sensor	1/2.8" Progressive Scan CMOS
Min. Illumination	Color: 0.002 Lux @ (F1.4, AGC ON), 0 Lux with IR
Shutter Speed	1/3 s to 1/100,000 s
Slow Shutter	Yes
Day & Night	IR Cut Filter
Power-off Memory	Yes
WDR, Wide Dynamic Range	120dB
Angle Adjustment	Pan: 0° to 355°, tilt: 0° to 75°, rotate: 0° to 355°
Lens	
Focal length	2.8 to 12 mm
Lens Type	Motorized, Varifocal
Aperture	F1.4
FOV	Horizontal field of view: 113° to 31° Vertical field of view: 58° to 18° Diagonal field of view: 138° to 36°
Lens Mount	Φ14
DORI	
DORI Detection, Observation, Recognition, and Identification	2.8 to 12 mm: Wide: D: 44.1 m, O: 17.5 m, R: 8.8 m, I: 4.4 m Tele: D: 131.0 m, O: 52.0 m, R: 26.2 m, I: 13.1 m
Illuminator	
IR Range	Up to 40 m
Wavelength	850nm
Smart Supplement Light	Yes
Supplement Light Type	IR
Video	
Max. Resolution	1920 × 1080
Main Stream	50Hz: 25fps (1920 × 1080, 1280 × 720) 60Hz: 30fps (1920 × 1080, 1280 × 720)
Sub Stream	50Hz: 25fps (640 × 480, 640 × 360) 60Hz: 30fps (640 × 480, 640 × 360)
Third Stream	50Hz: 25fps (1920 × 1080, 1280 × 720, 640 × 360) 60Hz: 30fps (1920 × 1080, 1280 × 720, 640 × 360) <small>*Third stream is supported under certain settings.</small>
Video Compression	Main stream: H.265/H.264/H.264+/H.265+ Sub stream: H.265/H.264/MJPEG Third stream: H.265/H.264 <small>*Third stream is supported under certain settings.</small>
Video Bit Rate	32 Kbps to 8 Mbps
H.264 Type	Baseline Profile/Main Profile/High Profile
H.265 Type	Main Profile
H.264+	Main stream supports



H.265+	Main stream supports
Bit Rate Control	CBR/VBR
Scalable Video Coding (SVC)	H.264 and H.265 encoding
Region of Interest (ROI)	1 fixed region for main stream and sub-stream
<b>Audio</b>	
Environment Noise Filtering	Yes
Audio Sampling Rate	8 kHz/16 kHz/32 kHz/44.1 kHz/48 kHz
Audio Compression	G.711ulaw/G.711alaw/G.722.1/G.726/MP2L2/PCM/MP3/AAC
Audio Bit Rate	64 Kbps (G.711ulaw/G.711alaw)/16 Kbps (G.722.1)/16 Kbps (G.726)/32 to 192 Kbps (MP2L2)/8 to 320 Kbps (MP3)/16 to 64 Kbps (AAC)
<b>Network</b>	
Simultaneous Live View	Up to 6 channels
API	Open Network Video Interface (PROFILE S, PROFILE G, PROFILE T), ISAPI, SDK
Protocols	TCP/IP, ICMP, HTTP, HTTPS, FTP, DHCP, DNS, DDNS, RTP, RTSP, NTP, UPnP, SMTP, IGMP, 802.1X, QoS, IPv4, IPv6, UDP, Bonjour, SSL/TLS, PPPoE, SNMP
Smooth Streaming	Yes
User/Host	Up to 32 users 3 levels: Administrator, Operator and User
Security	Password protection, complicated password, HTTPS encryption, IP address filter, Security Audit Log, basic and digest authentication for HTTP/HTTPS, TLS 1.1/1.2, WSSE and digest authentication for Open Network Video Interface
Network Storage	NAS (NFS, SMB/CIFS), auto network replenishment (ANR) Together with high-end memory card, memory card encryption and health detection are supported.
Web Browser	Plug-in required live view: IE 10+ Plug-in free live view: Chrome 57.0+, Firefox 52.0+ Local service: Chrome 57.0+, Firefox 52.0+
<b>Image</b>	
SNR	≥ 52 dB
Day/Night Switch	Day, Night, Auto, Schedule
Image Enhancement	BLC, HLC, 3D DNR
Image Parameters Switch	Yes
Image Settings	Rotate mode, saturation, brightness, contrast, sharpness, gain, white balance adjustable by client software or web browser
<b>Interface</b>	
Alarm	1 input, 1 output (max. 12 VDC/24VAC, 1 A)
Audio	1 input (line in), 3.5 mm connector, max. input amplitude: 3.3 Vpp, input impedance: 4.7 KΩ, interface type: non-equilibrium 1 output (line out), 3.5 mm connector, max. output amplitude: 3.3 Vpp, output impedance: 100 Ω, interface type: non-equilibrium



On-board storage	Built-in Micro SD/SDHC/SDXC slot, up to 128 GB
Reset Button	Yes
Ethernet Interface	1 RJ45 10M/100M self-adaptive Ethernet port
<b>Event</b>	
Basic Event	Motion detection (human and vehicle targets classification), video tampering alarm, exception
Smart Event	Scene change detection
<b>Deep Learning Function</b>	
Face Capture	Yes
Perimeter Protection	Line crossing detection, intrusion detection, region entrance detection, region exiting detection Supports human and vehicle targets classification
<b>General</b>	
Startup and Operating Conditions	-30 °C to +60 °C (-22 °F to +140 °F), Humidity 95% or less (non-condensing)
Power Supply	12 VDC ± 25% PoE: 802.3af, Class 3
Power Consumption and Current	12 VDC, 0.88A, max. 10.5W PoE (802.3af, 36V to 57V), 0.35A to 0.22A, max. 12.5W
Power Interface	Two-core terminal block
Material	Metal
Dimensions	Φ153.4 × 133.2 mm (Φ6.04" × 5.24")
Weight	Camera: approx. 840 g
Linkage Method	Upload to NAS/memory card/FTP, notify surveillance center, trigger recording, trigger capture, trigger alarm output, audible warning, send email
Web Client Language	33 languages English, Russian, Estonian, Bulgarian, Hungarian, Greek, German, Italian, Czech, Slovak, French, Polish, Dutch, Portuguese, Spanish, Romanian, Danish, Swedish, Norwegian, Finnish, Croatian, Slovenian, Serbian, Turkish, Korean, Traditional Chinese, Thai, Vietnamese, Japanese, Latvian, Lithuanian, Portuguese (Brazil), Ukrainian
<b>Approval</b>	
EMC	FCC (47 CFR Part 15, Subpart B); CE-EMC (EN 55032: 2015, EN 61000-3-2: 2014, EN 61000-3-3: 2013, EN 50130-4: 2011 +A1: 2014); RCM (AS/NZS CISPR 32: 2015); KC (KN 32: 2015, KN 35: 2015)
Safety	UL (UL 60950-1); CB (IEC 60950-1:2005 + Am 1:2009 + Am 2:2013); CE-LVD (EN 60950-1:2005 + Am 1:2009 + Am 2:2013); LOA (IEC/EN 60950-1)
Environment	CE-ROHS (2011/65/EU); WEEE (2012/19/EU); REACH (Regulation (EC) No 1907/2006)
Protection Level	IP66, IK10



Unit: mm (inch)

### Dimensions

### Accessories



Junction Box;  
DTC-BRKOIMDG2-PM



Wall Mount Bracket  
DTC-BRKOIMDG2-WM



Pole Mount Adapter  
Bracket;  
DTC-BRKOIMDG2-PMA



Corner Mount Adapter  
Bracket;  
DTC-BRKOIMDG2-COR



In-Ceiling Mount Bracket;  
DTC-BRKOIMDG2-CM



Wall Mount Box Bracket  
DTC-BRKOIMDG2-WMB



Rain / Shade Bracket  
DTC-OIMD-RS2