

# Detec Minidome IR PTZ IP Camera, 25x Zoom

---

*DTC-MDIRPTZ4MP25XHP*

**4MP, 25x Optical Zoom, 2560 × 1440 Resolution, 120 dB WDR, 50m IR, 360° Endless Pan, -5° to 90° Tilt, IP66, 12VDC & PoE**



## Description

DTC- MDIRPTZ4MP25XHP 4 MP 25 × Network IR PTZ Camera adopts 1/2.8" progressive scan CMOS chip. With the 25 × optical zoom lens, the camera offers more details over expansive areas.

This series of cameras can be widely used for wide ranges of high- definition, such as the rivers, forests, roads, railways, airports, ports, squares, parks, scenic spots, stations and large venues, etc.

## Key Features

- 1/2.8" progressive scan CMOS
- Up to 2560 × 1440 resolution
- Min. illumination: Color: 0.005 Lux @ (F1.6, AGC ON) B/W: 0.001 Lux @ (F1.6, AGC ON) 0 Lux with IR
- 25 × optical zoom, 16 × digital zoom
- 120 dB WDR, 3D DNR, HLC, BLC
- Up to 50 m IR distance
- 12 VDC & PoE (802.3 at, class4)
- Support H.265+/H.265 video compression

## Specification

### Camera Module

<b>Image Sensor:</b>		1/2.8" Progressive Scan CMOS
<b>Min. Illumination</b>		Color: 0.005 Lux @(F1.6, AGC ON) B/W: 0.001 Lux @(F1.6, AGC ON) 0 Lux with IR
<b>White Balance</b>		Auto/Manual/ATW (Auto-tracking White Balance)/Indoor/Outdoor/Fluorescent Lamp/Sodium Lamp
<b>AGC:</b>		Auto/Manual
<b>Shutter Time:</b>		1/1 to 1/30,000s
<b>Day&amp; Night:</b>		IR Cut Filter
<b>Digital Zoom:</b>		16x
<b>Privacy Masking:</b>		24 programmable privacy masks
<b>Focus Mode</b>		Auto / Semi-automatic / Manual
<b>WDR:</b>		120 dB WDR

### Lens

<b>Focal Length:</b>		4.8 to 120mm, 25x optical zoom
<b>Zoom Speed:</b>		Approx. 3.6s (optical lens, wide-tele)
<b>FOV</b>		Horizontal field of view: 55°to 2.4°(wide-tele) Vertical field of view: 33°to 1.4°(wide-tele) Diagonal field of view: 61.5°to 2.8°(wide-tele)
<b>Working Distance:</b>		100 mm to 1500 mm (wide-tele)
<b>Aperture Range:</b>		F1.6 to F3.5

### IR

<b>R Distance</b>		50 m
<b>Smart IR</b>		Yes

### PTZ

<b>Movement Range (Pan)</b>		360° endless
<b>Pan Speed:</b>		Configurable, from 0.1°/s to 300°/s Preset Speed: 350°/s
<b>Movement Range (Tilt)</b>		From -5° to 90°(auto-flip)
<b>Tilt Speed:</b>		Configurable, from 0.1°/s to 160°/s, Preset Speed: 200°/s
<b>Proportional Zoom:</b>		Yes
<b>Preset:</b>		300
<b>Patrol Scan:</b>		8 patrols, up to 32 presets for each patrol
<b>Pattern Scan:</b>		4 pattern scans, record time over 10 minutes for each scan

Detec AS – Widerøveien 5, N-1360 Fornebu, NORWAY – [www.detec.no](http://www.detec.no)

<b>Power-off Memory</b>	Yes
<b>Park Action:</b>	Preset / Pattern Scan / Patrol Scan / Auto Scan / Tilt Scan / Random Scan / Frame Scan / Panorama Scan
<b>PTZ Position Display:</b>	Yes
<b>Preset Freezing:</b>	Yes
<b>Scheduled Task:</b>	Preset / Pattern / Patrol / Auto Scan / Tilt Scan / Random Scan / Frame Scan / Panorama Scan / Dome Reboot / Dome Adjust / Aux Output

## Compression Standard

<b>Video Compression</b>	Main Stream: H.265+/ H.265/ H.264+/ H.264 Sub-Stream: H.265/ H.264/ MJPEG Third Stream: H.265/ H.264/ MJPEG
<b>H.264 Type</b>	Baseline Profile/ Main Profile/ High Profile
<b>H.264+</b>	Yes
<b>H.265 Type</b>	Main Profile
<b>H.265 +</b>	Yes
<b>Video Bitrate</b>	32 Kbps to 16384 kbps
<b>Audio Compression</b>	G.711alaw/ G.711ulaw/ G.722/G.726/ MP2L2/ PCM
<b>Audio Bitrate</b>	64 Kbps (G.711)/ 16 Kbps (G.722.1)/ 16 Kbps (G.726)/ 32 Kbps to 160 Kbps (MP2L2)
<b>SVC</b>	Yes

## Smart features

<b>Basic Event Detection</b>	Motion Detection, Video Tampering Detection, Alarm Input, Alarm Output, Exception
<b>Smart Detection</b>	Audio Exception Detection, Face Detection, Intrusion Detection, Line Crossing Detection, Region Entrance Detection, Region Exiting Detection, Unattended Baggage Detection, Object Removal Detection
<b>Smart Tracking</b>	Manual Tracking, Auto Tracking, Event Tracking
<b>ROI Encoding</b>	Main stream, sub-stream, and third stream respectively support four fixed areas.
<b>Smart Record</b>	ANR (Automatic Network Replenishment), Dual-VCA

## Image

<b>Max. Resolution</b>	2560 x 1440
<b>Main Stream</b>	50Hz: 25fps (2560 x 1440, 2048 x 1536, 1920 x 1080, 1280 x 960, 1280 x 720) 50fps (1920 x 1080, 1280 x 960, 1280 x 720) 60Hz: 30fps (2560 x 1440, 2048 x 1536, 1920 x 1080, 1280 x 960, 1280 x 720) 60fps (1920 x 1080, 1280 x 960, 1280 x 720)
<b>Sub-Stream</b>	50Hz: 25fps (704 x 576, 640 x 480, 352 x 288) 60Hz: 30fps (704 x 480, 640 x 480, 352 x 240)
<b>Third Stream</b>	50Hz: 25fps (1920 x 1080, 1280 x 960, 1280 x 720, 704 x 576, 640 x 480, 352 x 288) 60Hz: 30fps (1920 x 1080, 1280 x 960, 1280 x 720, 704 x 480, 640 x 480, 352 x 240)
<b>Image Enhancement</b>	HLC/BLC/3D DNR/Defog/EIS/Regional Exposure/Regional Focus

## Network

<b>Network Storage</b>	Built-in memory card slot, support Micro SD/SDHC/SDXC, up to 256 GB; NAS (NFS, SMB/ CIFS), ANR
<b>Alarm Linkage</b>	Alarm actions, such as Memory Card Video Record, Trigger Recording, Notify Surveillance Center, Upload to FTP/Memory Card/NAS, Send Email, etc.
<b>Protocols</b>	IPv4/IPv6, HTTP, HTTPS, 802.1x, Qos, FTP, SMTP, UPnP, SNMP, DNS, DDNS, NTP, RTSP, RTCP, RTP, TCP/IP, UDP, IGMP, ICMP, DHCP, PPPoE, Bonjour
<b>API</b>	ONVIF (Profile S, Profile G, Profile T), ISAPI, SDK
<b>Simultaneous</b>	Up to 20 channels
<b>User/ Host</b>	Up to 32 users. 3 levels: Administrator, Operator and User
<b>Security Measure</b>	User authentication (ID and PW), Host authentication (MAC address); HTTPS encryption; IEEE 802.1x port-based network access control; IP address filtering
<b>Client</b>	iVMS-4200, iVMS-4500, iVMS-5200, Hik-Connect
<b>Web Browser</b>	IE 8 to 11, Chrome 31.0+, Firefox 30.0+

## Interface

<b>Audio Interface</b>	1-ch audio input and 1-ch audio output
<b>Alarm Interface</b>	2-ch alarm input and 2-ch alarm input
<b>Network Interface</b>	1 RJ45 10 M/100 M Ethernet Interface; PoE (802.3 at, class4)

## General

<b>Language (Web Browser Access)</b>	32 languages. English, Russian, Estonian, Bulgarian, Hungarian, Greek, German, Italian, Czech, Slovak, French, Polish, Dutch, Portuguese, Spanish, Romanian, Danish, Swedish, Norwegian, Finnish, Croatian, Slovenian, Serbian, Turkish, Korean, Traditional Chinese, Thai, Vietnamese, Japanese, Latvian, Lithuanian, Portuguese (Brazil)
<b>Power</b>	12 VDC, 3.33 A & PoE (802.3 at), 42.5 to 57 VDC, 0.6 A, class4 Max.:18 W, including max. 5W for IR
<b>Working Temperature</b>	-30°C to 65°C (-22°F to 149°F)
<b>Working Humidity</b>	≤ 90%
<b>Protection Level</b>	IP66 Standard, 4000V Lightning Protection, Surge Protection and Voltage Transient Protection
<b>Installation</b>	Variable installation methods optional, including ceiling mounting (default), in-ceiling mounting, pendant mounting and wall mounting
<b>Material</b>	ADC12, PC, PC+ABS, SUS304, POM
<b>Dimention</b>	Φ 169 mm × 161 mm (Φ 6.65" × 6.34")
<b>Weight</b>	Approx. 2.45 kg (5.40 lb)

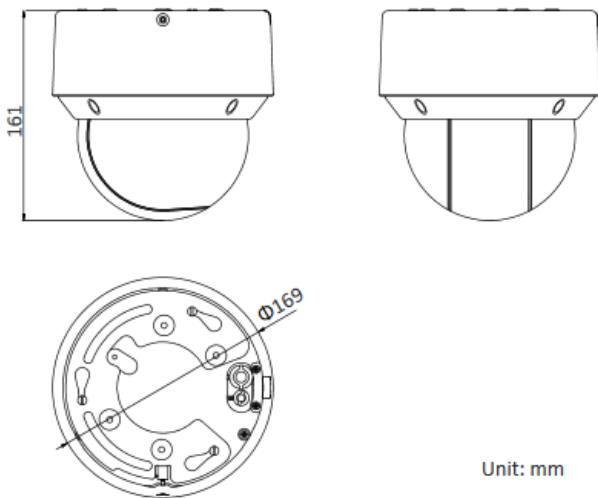
## Dori

The DORI (detect, observe, recognize, identify) distance gives the general idea of the camera ability to distinguish persons or objects within its field of view.

It is calculated based on the camera sensor specification and the criteria given by EN 62676-4: 2015.

Dori	Detect	Observe	Recognize	Identify
Definition	25 px/m	63 px/m	125 px/ m	250 px/m
Distance (Tele)	2400.0 m (7874.0 ft)	952.4 m (3124.7 ft)	480.0 m (1574.8 ft)	240.0 m (787.4 ft)

## Dimensions



## Accessories



DTC-BRKPTZ-WM/S  
Wall Mount Bracket



DTC-BRKMDIRPTZ-PMA  
Vertical pole mount



DTC-BRAKMDIRPTZ-COR  
Corner mount



DTC-BRK-RPM  
Roof Parapet Mount



DTC-BRKTPZ-SCPM  
Short Ceiling Pendant Mount



DTC-BRKPTZ-LCPM  
Long Ceiling Pendant Mount



DTC-BRKMDIRPTZ-CM  
In-ceiling Mount Bracket



LAS60-57CN-RJ45  
Hi-PoE midspan