

Detec Full HD Minidome IR PTZ IP Camera, 25x Zoom

DTC-MDIRPTZ2MP25XHP

**25x Optical Zoom, Full HD, WDR, 50m IR, 360° Endless Pan, Audio,
Lightweight, Compact, IP66, 12VDC & Hi-PoE**



Specification

Camera

Image Sensor:	1/2.8" Progressive Scan CMOS
Effective Pixels:	1920(H) x 1080(V)
Signal System:	PAL/NTSC
Minimum Illumination:	Color: 0.005 Lux @ (F1.6, AGC ON), B/W: 0.001 Lux @ (F1.6, AGC ON), 0 Lux with IR
White Balance:	Auto/ Manual/ ATW (Auto-tracking White Balance)/ Indoor/ Outdoor/ Fluorescent Lamp/ Sodium Lamp
AGC:	Auto/Manual
WDR:	120 dB WDR
Image Enhancement:	HLC/ BLC/ 3D DNR/ Defog/ EIS/ Regional Exposure/ Regional Focus
Shutter Time:	1/1 to 1/30,000s
Day& Night:	IR Cut Filter
Digital Zoom:	16x
Privacy Masking:	24 programmable privacy masks
Auto Focus:	Auto / Semi-automatic / Manual

Detec AS – Sandakerveien 24C, Bldg. A4, N-0473 Oslo, NORWAY – www.detec.no

Lens

Focal Length:	4.8 to 120mm, 25x optical zoom
Zoom Speed:	Approx. 3.2s
Angle of View:	Horizontal field of view: 57.6° to 2.5° (wide-tele) Vertical field of view: 34.4° to 1.4° (wide-tele) Diagonal field of view: 64.5° to 2.9° (wide-tele)
Minimum Working Distance:	10 to 1500mm (wide-tele)
Aperture Range:	F1.6 to F3.5

Pan, Tilt & Zoom

Pan Range:	360°endless
Pan Speed:	Configurable, from 0.1°/s to 300°/s Preset Speed: 350°/s
Tilt Range:	-5°~90° (auto-flip)
Tilt Speed:	Configurable, from 0.1°/s to 160°/s, Preset Speed: 200°/s
Proportional Zoom:	Yes. Rotation speed can be adjusted automatically according to zoom multiples
Number of Preset:	300
Patrol Scan:	8 patrols, up to 32 presets for each patrol
Pattern:	4 pattern scans, record time over 10 minutes for each scan
Power loss recovery:	Support
Park Action:	Preset / Patrol / Pattern / Pan scan / Tilt scan / Random scan / Frame scan / Panorama scan
PTZ Position Display:	ON/OFF
Freeze Frame:	Support
Scheduled Task:	Preset / Pattern / Patrol / Auto Scan / Tilt Scan / Random Scan / Frame Scan / Panorama Scan / Dome Reboot / Dome Adjust / Aux Output

Infrared

IR irradiation distance:	50m
IR irradiation angle:	Adjustable by zoom

Input & Output

Alarm Input:	2
Alarm Output:	2
Audio Input:	Audio input (LINE input), 2-2.4Vp-p; output impedance: 1KΩ, ±10%
Audio Output:	1 Audio output interface Line level, impedance: 600Ω

Network

Ethernet:	10Base -T, /100Base-TX, RJ45 Connector
Max.Image Resolution:	1920×1080 (Full HD, 2MP, 16:9)
Three-Stream:	Support
Main Stream:	50Hz: 25fps (1920 × 1080, 1280 × 960, 1280 × 720), 50fps (1920 × 1080, 1280 × 960, 1280 × 720) 60Hz: 30fps (1920 × 1080, 1280 × 960, 1280 × 720), 60fps (1920 × 1080, 1280 × 960, 1280 × 720)
Sub Stream:	50Hz: 25fps (704 × 576, 640 × 480, 352 × 288) 60Hz: 30fps (704 × 480, 640 × 480, 352 × 240)
Third Stream:	50Hz: 25fps (1920 × 1080, 1280 × 960, 1280 × 720, 704 × 576, 640 × 480, 352 × 288) 60Hz: 30fps (1920 × 1080, 1280 × 960, 1280 × 720, 704 × 480, 640 × 480, 352 × 240)
Image Compression:	H.265+/ H.265/ H.264+/ H.264/ MJPEG H.265 Type: Main Profile H.264 Type: Baseline Profile/ Main Profile/ High Profile Main Stream: H.265+/ H.265/ H.264+/ H.264 Sub-Stream: H.265/ H.264/ MJPEG Third Stream: H.265/ H.264/ MJPEG
Video Bitrate:	32 Kbps to 16384 Kbps
Audio Compression:	G.711ulaw/G.711alaw/G.726/MP2L2/G.722
Audio Bitrate:	64 Kbps (G.711)/ 16 Kbps (G.722.1)/ 16 Kbps (G.726)/ 32 Kbps to 160 Kbps (MP2L2)
SVC:	Support
Alarm Actions:	Preset, Patrol, Pattern, Micro SD/SDHC card recording, Relay output, Notification on Client, Send Email, Upload to FTP, Trigger Channel
Mini SD Card:	Support up to 128GB Micro SD/SDHC/SDXC card. Support Edge recording
Protocols:	IPv4/IPv6, HTTP, HTTPS, 802.1x, Qos, FTP, SMTP, UPnP, SNMP, DNS, DDNS, NTP, RTSP, RTCP, RTP, TCP/IP, UDP, IGMP, ICMP, DHCP, PPPoE, Bonjour
API:	Open-ended, support ONVIF, ISAPI, and CGI, support SDK
No. of Simultaneous Users:	Up to 20 users
User/Host Level:	Up to 32 users 3 levels: Administrator, Operator and User
Security Measures:	User authentication (ID and PW), Host authentication (MAC address); HTTPS encryption; IEEE 802.1x port-based network access control; IP address filtering

Client GUI

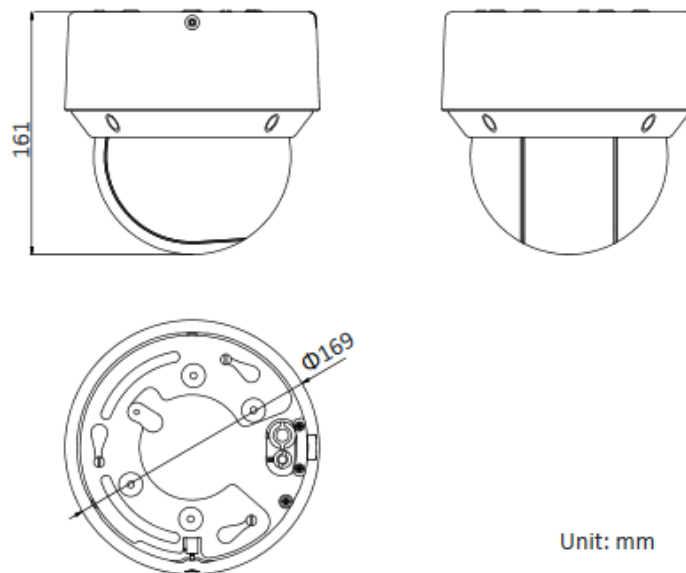
Camera Control:	Pan/Tilt, Zoom, Focus, Click centering, Zoom by mouse dragging, Iris, preset calling and programming, auto mode
Client:	Supported in Detec Next Software and most open-standard software brands
Web Browser:	IE 8 to 11, Chrome 31.0 to 44, Firefox 30.0 to 51

General

Menu Language:	English
-----------------------	---------

Power Supply:	12 VDC & POE (802.3at, class4)
Power Consumption:	Max.: 18W (IR light 5W Max.)
Working Temperature/ Humidity:	Outdoor: -30°C to 65°C (-22°F to 149°F) Humidity: ≤ 90%
Material:	ADC12, PC, PC+ABS, SUS304, POM
Protection Level:	IP66 standard (outdoor dome) TVS 4,000V lightning protection, surge protection and voltage transient protection
Dimensions:	$\Phi 169.39\text{mm} \times 161\text{mm}$ ($\Phi 6.67'' \times 6.34''$)
Weight (approx.):	Approx. 2.45kg (5.40lb)
Mount Options:	Wall mount; DTC-BRKPTZ-WM, Corner mount adapter; DTC-BRKPTZ-CMA, Pole Mount Adapter; DTC-BRKPTZ-PMA, Power junction box mount; DTC-BRKPTZ-JBM; Short ceiling pendant mount; DTC-BRKPTZ-SCPM, Long ceiling pendant mount; DTC-BRKPTZ-LCPM, Roof parapet mount; DTC-BRKPTZ-RPM, Gooseneck surface mount: DTC-BRKPTZ-GSM

Dimensions



Accessories

