

Detec 4MP 4x Network IR PTZ Camera

DTC-2DE4A404IW-DE (2.8-12 mm)

1/1.9" CMOS, to 2560 × 1440 resolution, H.265+/H.265, 4× optical zoom, 16× digital zoom, 360° endless, Micro SD/SDHC/SDXC up to 256 GB, 50 m IR, IP66, 12 VDC & PoE



DTC-2DE4A404IW-DE (2.8-12 mm) Network IR PTZ Camera adopts 1/1.9" progressive scan CMOS chip. With the 4× optical zoom lens, the camera offers more details over expansive areas.

This series of cameras can be widely used for wide ranges of high- definition, such as the rivers, forests, roads, railways, airports, ports, squares, parks, scenic spots, stations, and large venues, etc.

Key Features

- 1/1.9" progressive scan CMOS
- Up to 2560 × 1440 resolution
- Ultra-low light:
Color: 0.002 Lux @(F1.6, AGC ON)
B/W: 0.0002 Lux @(F1.6, AGC ON)
0 Lux with IR
- 4× optical zoom, 16× digital zoom
- Digital WDR, HLC, BLC, 3D DNR, Digital Defog, EIS, Regional Exposure, Regional Focus
- Up to 50 m IR distance
- 12 VDC & PoE (802.3at, class4)
- Support H.265+/H.265 video compression

Specification

Camera Module	
Image Sensor	1/1.9" progressive scan CMOS
Min. Illumination	Color: 0.002 Lux @ (F1.6, AGC ON) B/W: 0.0002Lux @ (F1.6, AGC ON) 0 Lux with IR
White Balance	Auto/Manual/ATW (Auto-tracking White Balance)/Indoor/Outdoor/Fluorescent Lamp/Sodium Lamp
Gain	Auto/Manual
Shutter Time	50Hz: 1/1 s to 1/30,000 s 60Hz: 1/1 s to 1/30,000 s
Day & Night	IR Cut Filter
Digital Zoom	16×
Privacy Mask	24 programmable privacy masks
Focus Mode	Auto/Semi-automatic/Manual
WDR	Digital WDR
Lens	
Focal Length	2.8 mm to 12 mm, 4× optical zoom
Zoom Speed	Approx. 2.2 s (optical lens, wide-tele)
Field of View	Horizontal field of view: 69.5° to 26.48° (Wide-Tele) Vertical field of view: 38° to 14.94° (Wide-Tele) Diagonal field of view: 81.2° to 20.38° (Wide-Tele)
Working Distance	10 mm to 1500 mm (wide-tele)
Aperture Range	F1.5 to F2.8
IR	
IR Distance	50 m
Smart IR	Yes
PTZ	
Movement Range (Pan)	360° endless
Pan Speed	Configurable, from 0.1°/s to 300°/s. Preset speed: 350°/s
Movement Range (Tilt)	From -5° to 90° (auto-flip)
Tilt Speed	Configurable, from 0.1°/s to 160°/s. Preset Speed: 200°/s
Proportional Zoom	Yes
Presets	300
Patrol Scan	8 patrols, up to 32 presets for each patrol
Pattern Scan	4 pattern scans, record time over 10 minutes for each scan
Power-off Memory	Yes
Park Action	Preset/Pattern Scan/Patrol Scan/Auto Scan/Tilt Scan/Random Scan/Frame Scan/Panorama Scan
3D Positioning	Yes
PTZ Position Display	Yes
Preset Freezing	Yes
Scheduled Task	Preset/Pattern Scan/Patrol Scan/Auto Scan/Tilt Scan/Random Scan/Frame Scan/Panorama Scan/Dome Reboot/Dome Adjust/Aux Output
Compression Standard	
Video Compression	Main Stream: H.265+/H.265/H.264+/H.264 Sub-stream: H.265/H.264/MJPEG Third Stream: H.265/H.264/MJPEG
H.264 Type	Baseline Profile/Main Profile/High Profile
H.264+	Yes
H.265 Type	Baseline Profile/Main Profile/High Profile

H.265+	Yes
Video Bitrate	256 Kbps to 16384 Kbps
Audio Compression	G.711alaw/G.711ulaw/G.722.1/G.726/MP2L2/PCM
SVC	Yes
Smart Features	
Basic Event Detection	Motion Detection, Alarm Input, Alarm Output, Video Tampering, Exception
Smart Event Detection	Audio Exception Detection, Face Detection, Intrusion Detection, Line Crossing Detection, Region Entrance Detection, Region Exiting Detection, Unattended Baggage Detection, Object Removal Detection
Smart Record	ANR (Automatic Network Replenishment), Dual-VCA
Smart Tracking	Manual Tracking, Auto Tracking, Event Tracking, support multi scenes patrol tracking
ROI	Main stream, sub-stream, and third stream respectively support four fixed areas.
Image	
Max. Resolution	2560 × 1440
Main Stream	50Hz: 25fps (2560 × 1440, 2048 × 1536, 1920 × 1080, 1280 × 960, 1280 × 720) 50fps (1920 × 1080, 1280 × 960, 1280 × 720) 60Hz: 30fps (2560 × 1440, 2048 × 1536, 1920 × 1080, 1280 × 960, 1280 × 720) 60fps (1920 × 1080, 1280 × 960, 1280 × 720)
Sub-Stream	50Hz: 25fps (704 × 576, 640 × 480, 352 × 288) 60Hz: 30fps (704 × 480, 640 × 480, 352 × 240)
Third Stream	50Hz: 25fps (1920 × 1080, 1280 × 960, 1280 × 720, 704 × 576, 640 × 480, 352 × 288) 60Hz: 30fps (1920 × 1080, 1280 × 960, 1280 × 720, 704 × 480, 640 × 480, 352 × 240)
Image Enhancement	HLC/BLC/3D DNR/Digital Defog/EIS/Regional Exposure/Regional Focus
Network	
Network Storage	Built-in memory card slot, support Micro SD/SDHC/SDXC, up to 256 GB; NAS (NFS, SMB/ CIFS), ANR
Alarm Linkage	Alarm actions, such as Notify Surveillance Center, Upload to FTP, Send Email, Trigger Recording, Recording Linkage, and Alarm Input, etc.
Protocols	IPv4/IPv6, HTTP, HTTPS, 802.1x, Qos, FTP, SMTP, UPnP, SNMP, DNS, DDNS, NTP, RTSP, RTCP, RTP, TCP/IP, UDP, IGMP, ICMP, DHCP, PPPoE, Bonjour
API	ONVIF (Profile S, Profile G, Profile T), ISAPI, SDK
Simultaneous Live View	Up to 20 channels
User/Host	Up to 32 users 3 levels: Administrator, Operator and User
Security Measures	User authentication (ID and PW), Host authentication (MAC address); HTTPS encryption; IEEE 802.1x port-based network access control; IP address filtering
Client	iVMS-4200, iVMS-4500, iVMS-5200, Hik-Connect
Web Browser	IE 8 to 11, Chrome 31.0+, Firefox 30.0+, Edge 16.16299+
Interface	
Alarm Interface	2-ch alarm input and 2-ch alarm output
Audio Interface	1-ch audio input and 1-ch audio output
Network Interface	1 RJ45 10 M/100 M Ethernet, PoE (802.3at, class4)
General	
Language (Web Browser Access)	32 languages. English, Russian, Estonian, Bulgarian, Hungarian, Greek, German, Italian, Czech, Slovak, French, Polish, Dutch, Portuguese, Spanish, Romanian, Danish, Swedish, Norwegian, Finnish, Croatian, Slovenian, Serbian, Turkish, Korean, Traditional Chinese, Thai, Vietnamese, Japanese, Latvian, Lithuanian, Portuguese (Brazil)
Power	12 VDC, 3.33 A and PoE (802.3at), 42.5 to 57 VDC, 0.6 A, class4 Max.: 18 W, including max. 5.5W for IR
Working Temperature	Outdoor: -30°C to 65°C (-22°F to 149°F)

Working Humidity	≤ 90%
Protection Level	IP66 Standard; 4000V Lightning Protection, Surge Protection and Voltage Transient Protection
Installation	Variable installation methods optional, including ceiling mounting (default), in-ceiling mounting, pendant mounting and wall mounting
Material	Aluminum Alloy
Dimensions	Φ 169 mm × 161 mm (Φ 6.65" × 6.34")
Weight	Approx. 2.45 kg (5.40 lb)

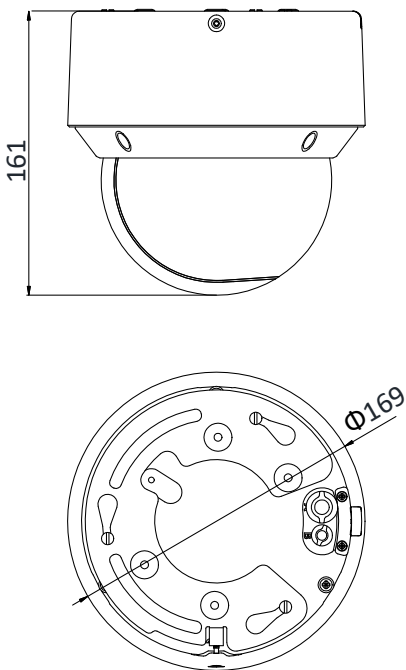
DORI

The DORI (detect, observe, recognize, identify) distance gives the general idea of the camera ability to distinguish persons or objects within its field of view.

It is calculated based on the camera sensor specification and the criteria given by EN 62676-4: 2015.

DORI	Detect	Observe	Recognize	Identify
Definition	25 px/m	63 px/m	125 px/m	250 px/m
Distance (Tele)	216.7 m (710.8 ft)	86.0 m (282.1 ft)	43.3 m (142.2 ft)	21.7 m (71.1 ft)

Dimensions:



Unit: mm

Accessory:

Included:



KPL-040F-VI
Power adapter

Optional:



DTC-BRKPTZ-WM/S
Wall Mount Bracket



DTC-BRKMDIRPTZ-PMA
Vertical pole mount



DTC-BRAKMDIRPTZ-COR
Corner mount



DTC-BRK-RPM
Roof Parapet Mount



DTC-BRKTPZ-SCPM
Short Ceiling Pendant Mount



DTC-BRKPTZ-LCPM
Long Ceiling Pendant Mount



DTC-BRKMDIRPTZ-CM
In-ceiling Mount Bracket