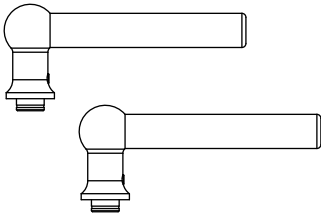


Unsprung Installation Instructions

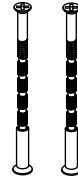
Contents



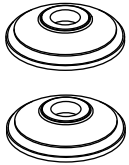
Handles



Wood Screws



M4 Through Bolts



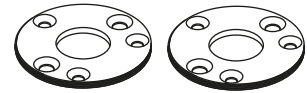
Roses



Thread Lock

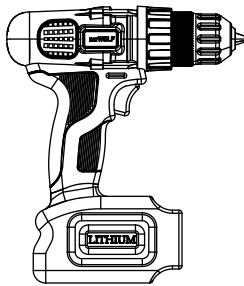


Grub Screws

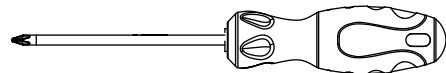


Fixing Plates

Tools you'll need



Drill



Cross head Screw Driver



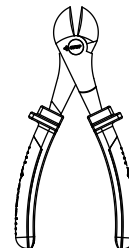
12mm Drill Bit



8mm Drill Bit

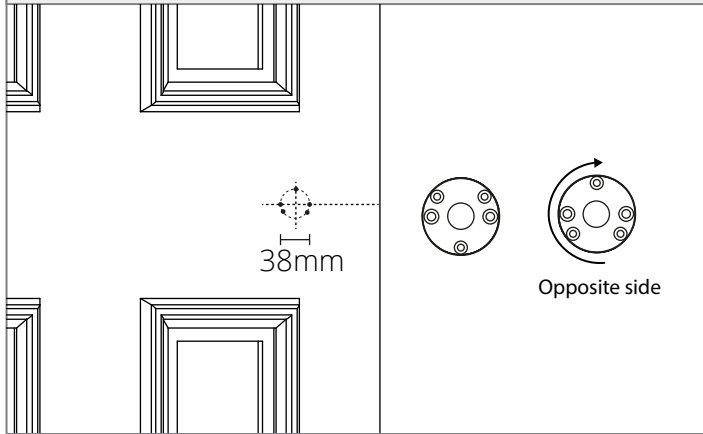
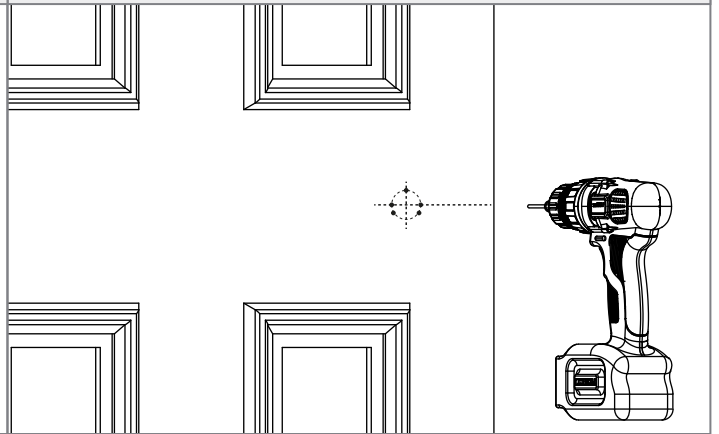
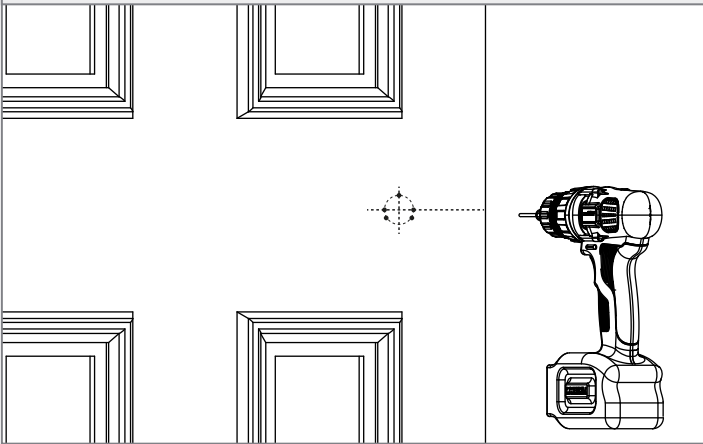
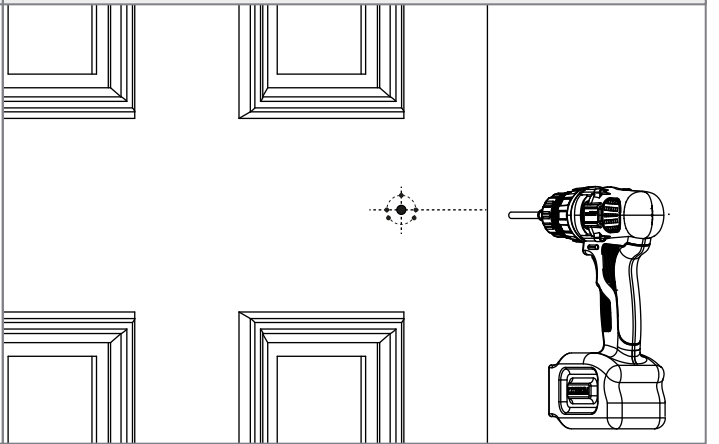
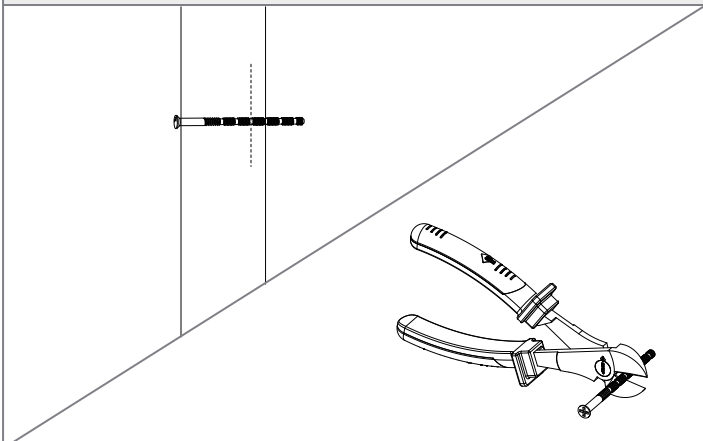
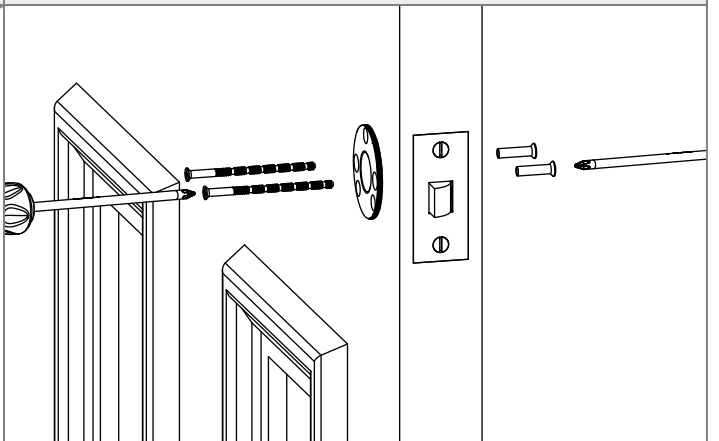


2mm Drill Bit

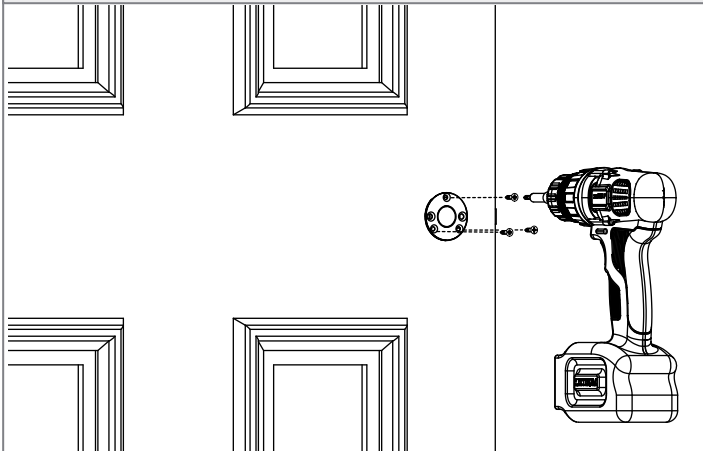
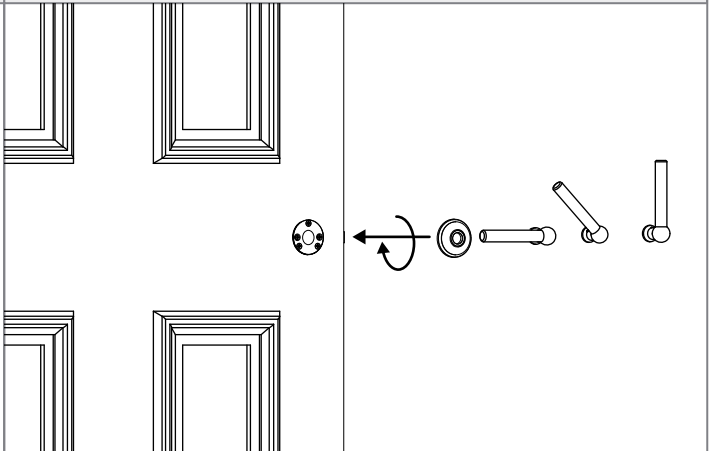


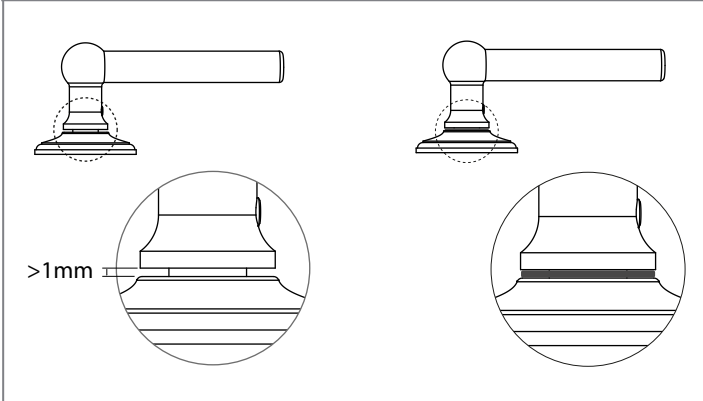
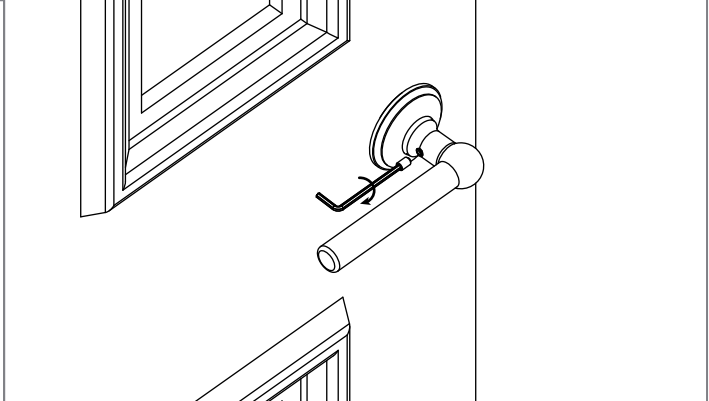
Pliers

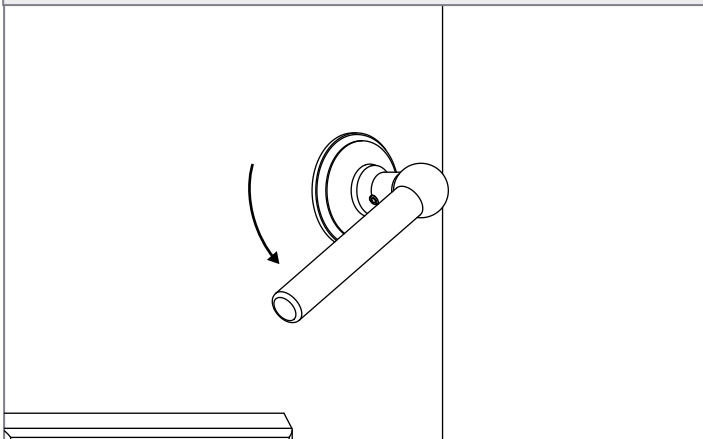
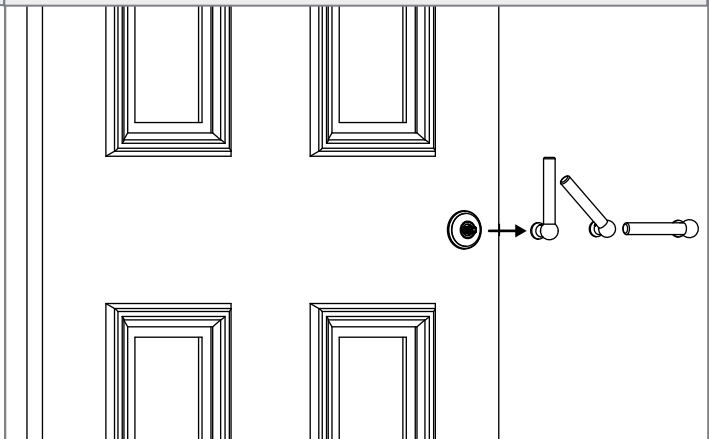
Unsprung Installation Instructions

<p>1 Mark the centre lines and hole spacings on both sides the door</p>	<p>2 Drill holes through the door for the through bolts with the 8mm drill bit</p>
 <p>38mm</p> <p>Opposite side</p>	
<p>3 Drill pilot holes for the wood screws with the 2mm bit</p>	<p>4 Using the 12mm drill bit, drill through the centre for the spindle</p>
	
<p>5 Clip snap off screws to size so that they are smaller than the depth of the door</p>	<p>6 Screw the fixed spindles to the door with the through bolts</p>
	

Unsprung Installation Instructions

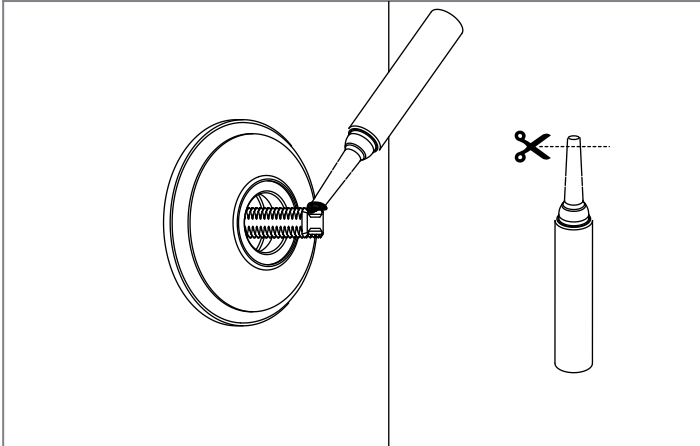
<p>7 Drive the wood screws into the door</p>	<p>8 Screw the rose on to the fixing plate and then the handle on to the spindle</p>
	

<p>9 If after screwing the handle on there is a gap bigger than a 1mm between the handle and rose, use the washer to fill the gap</p>	<p>10 Screw the grub screw in to the handle and make it it is level</p>
	

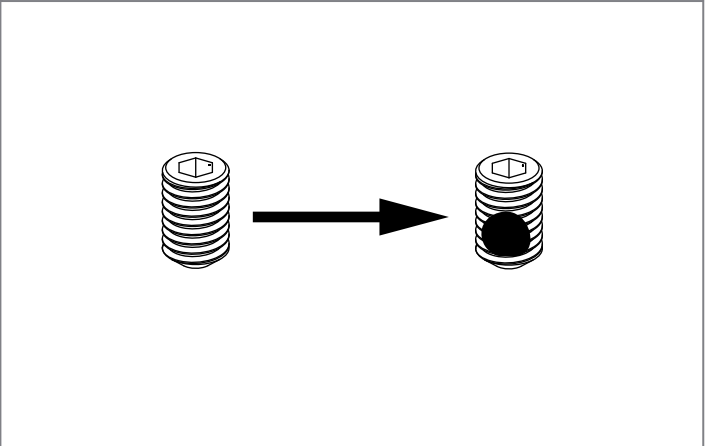
<p>11 Check the handles turns smoothly</p>	<p>12 Uninstall the handle</p>
	

Installation

13 Apply the provided thread lock to the spindle



14 Replace the grub screw in the handle with the grub screws with pre-applied threadlock



15 Tightly screw in the grub screw and wait for the threadlock to set

