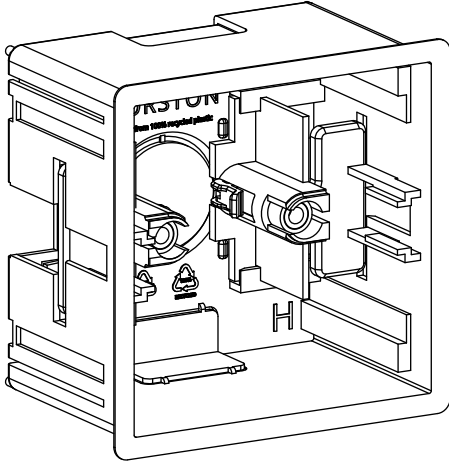


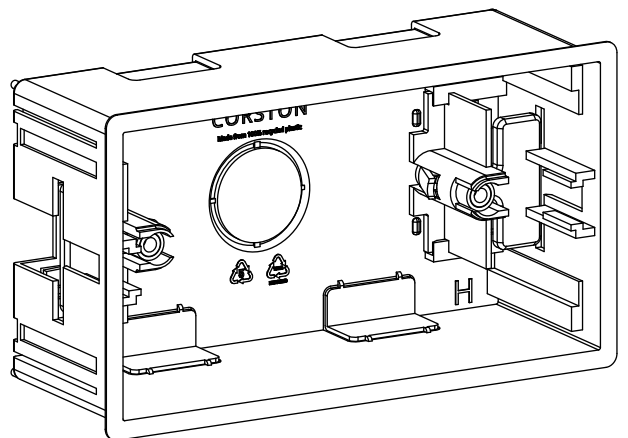
Single UK Dry Lining Back Box



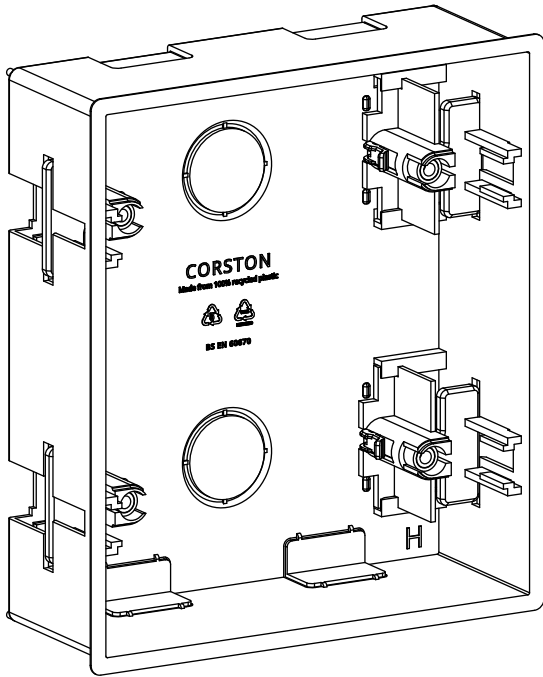
| | |
|---------------------------------|-----------------------------|
| Material | Flame Retardent Recycled PP |
| Colour Finish | Teal |
| Weight | 0.34kg |
| Size | 73.8mm x 73.8mm x 50mm |
| Size (Interior) | 70.8mm x 70.8mm x 48.5mm |
| Board Thickness | 8mm - 22mm |
| Product Range | UK Dry Lining Boxes |
| Manufactured in accordance with | BS 4662 |
| | BS EN 60670 |
| Lug Type | Adjustable |

Double UK Dry Lining Back Box

| | |
|---------------------------------|-----------------------------|
| Material | Flame Retardent Recycled PP |
| Colour Finish | Teal |
| Weight | 0.49kg |
| Size | 133.8mm x 73.8mm x 50mm |
| Size (Interior) | 130.8mm x 70.8mm x 48.5mm |
| Board Thickness | 8mm - 22mm |
| Product Range | UK Dry Lining Boxes |
| Manufactured in accordance with | BS 4662 |
| | BS EN 60670 |
| Lug Type | Adjustable |



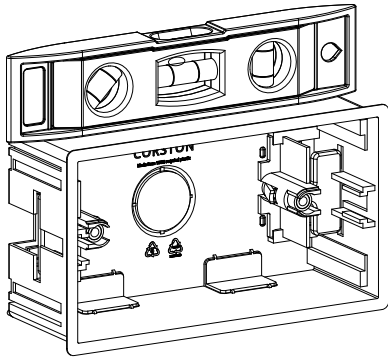
6G UK Dry Lining Back Box



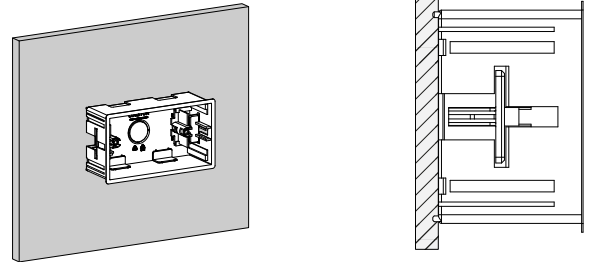
| | |
|---------------------------------|-----------------------------|
| Material | Flame Retardent Recycled PP |
| Colour Finish | Teal |
| Weight | 0.082kg |
| Size | 133.8mm x 153.3mm x 50mm |
| Size (Interior) | 130.8mm x 150.3mm x 48.5mm |
| Board Thickness | 8mm - 22mm |
| Product Range | UK Dry Lining Boxes |
| Manufactured in accordance with | BS 4662 |
| | BS EN 60670 |
| Lug Type | Adjustable |

Installation

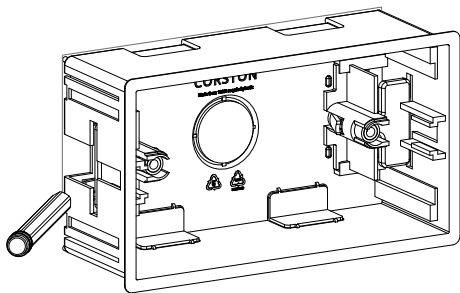
1 Make the sure the box is level



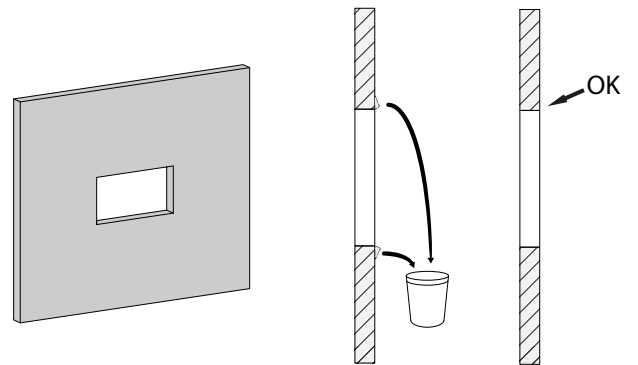
2 Press box in to the wall



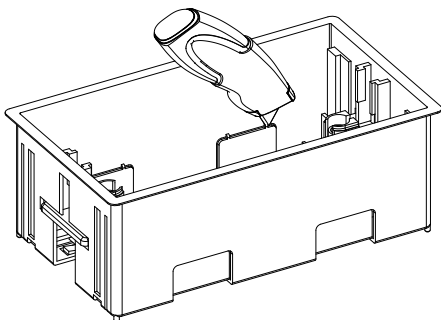
3 Mark around box



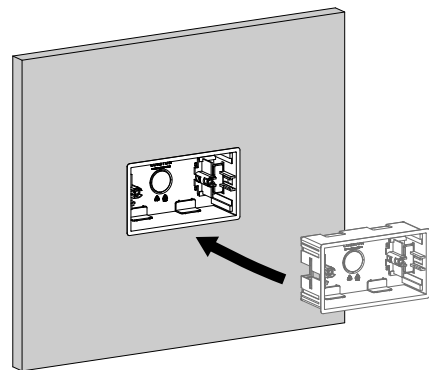
4 Cut the hole for the backbox



5 Insert box into wall



6 Push tabs through box



Installation

