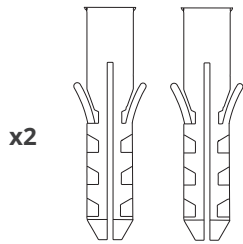


## Bathroom Pull Switch

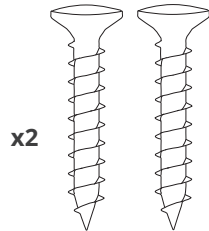
A light switch module, cover and handle designed for use in bathrooms and/or WC.

### Included:



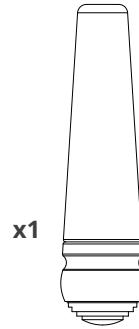
x2

Wall plug



x2

Mounting screw



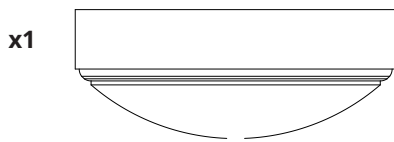
x1

Pull handle



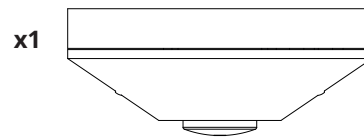
x1

Cord connector



x1

Brass cover

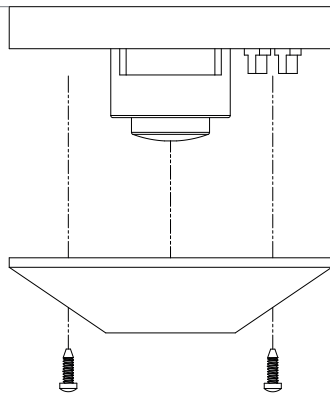


x1

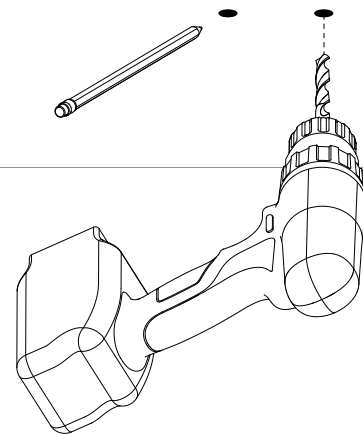
Module



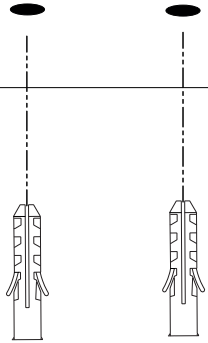
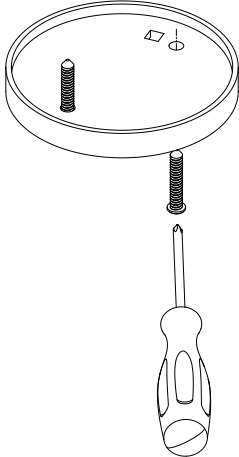
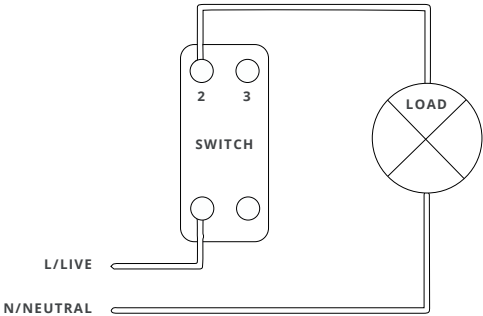
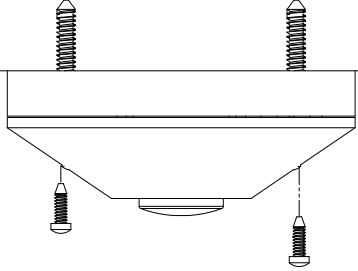
### 1. Remove terminal cover



### 2. Mark and drill holes for fixing plugs



## Bathroom Pull Switch

<p>3. Install the plugs</p>	<p>4. Fasten the base to the ceiling with the fixings provided</p>
	
<p>5. Wire in the switch following Corston wiring diagrams</p>	<p>6. Re-attach the terminal cover to the base</p>
	
<p>7. Thread the brass cover over the switch module</p>	<p>8.</p>
