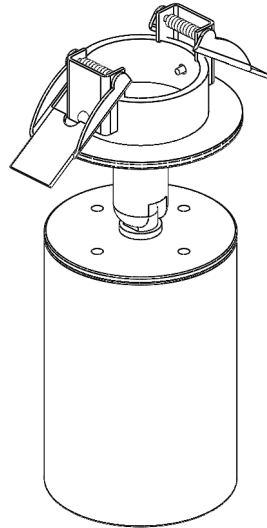


Surface Mounted Lighting Instructions

1.

Isolate the power supply at the consumer unit circuit breaker. Verify that the power is off.

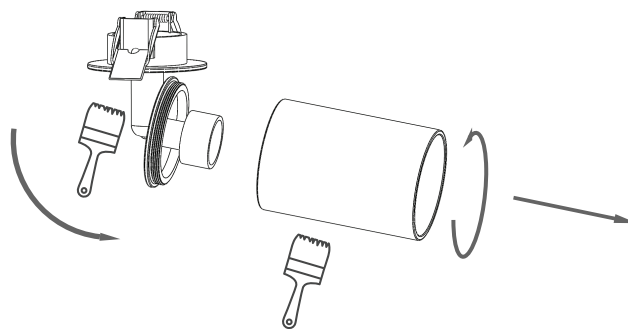
These products must be installed in accordance with the latest building regulations. Contact a qualified electrician if in any doubt.



Fitting

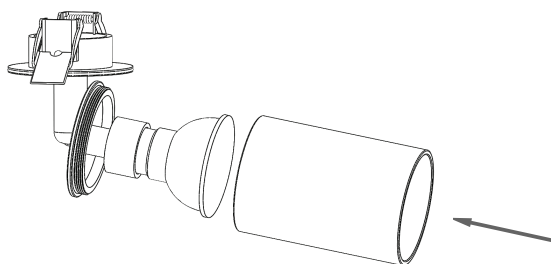
The light fitting is supplied painted in white primer paint. It can be fitted without any extra finishing.

If you would like to perfectly match the light fitting to the ceiling colour, it can be painted. Emulsion or any interior paint can be used. To paint the light fitting pivot the fitting at the hinge. Then unscrew the barrel of the light. The base and barrel can then be painted separately. The bulb is recessed in the barrel, so the visible part of the inside of the barrel should also be painted.



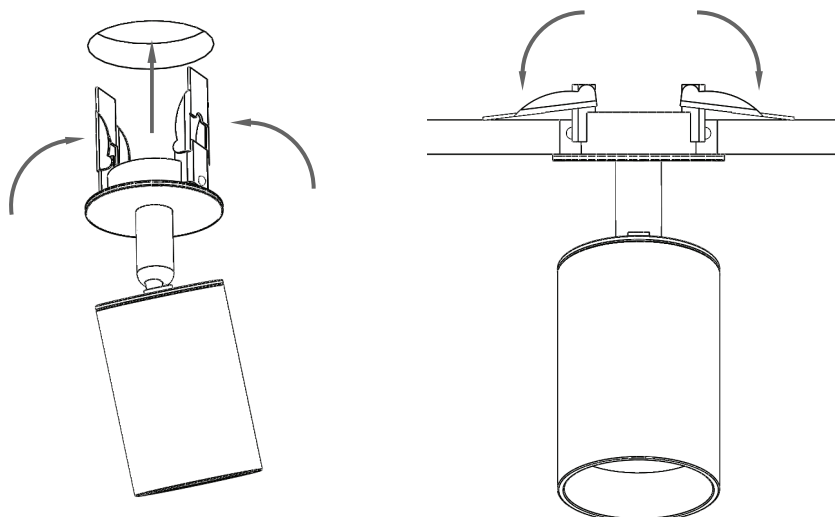
Two thin coats of paint are recommended. Be careful not to coat the threaded sections in paint. Check that the light turns and pivots as normal.

When fully dry, fit the bulb and assemble the barrel.



The lights are designed to be fitted to a ceiling or wall with a void. A 50mm hole saw is required. Drill the hole and connect the wiring to the house circuit.

Fit the light in position. To do this fold back the spring clips, and insert the fitting through the hole, clips first. When they are through the hole they will spring back keeping the fitting in position. Position the light output and test.



Care Instructions

Use mild detergent and a damp cloth to maintain the handles, avoiding chemical cleaners

All finishes will age and develop over time.

Touching the hardware with another metal or hard object is likely to scratch and/or damage it.

If brass chemical cleaner is used it will remove the protective lacquer. Only do this if an aged brass patina is desired.

Contact

If you have any questions or queries, contact the Corston team who would be happy to help