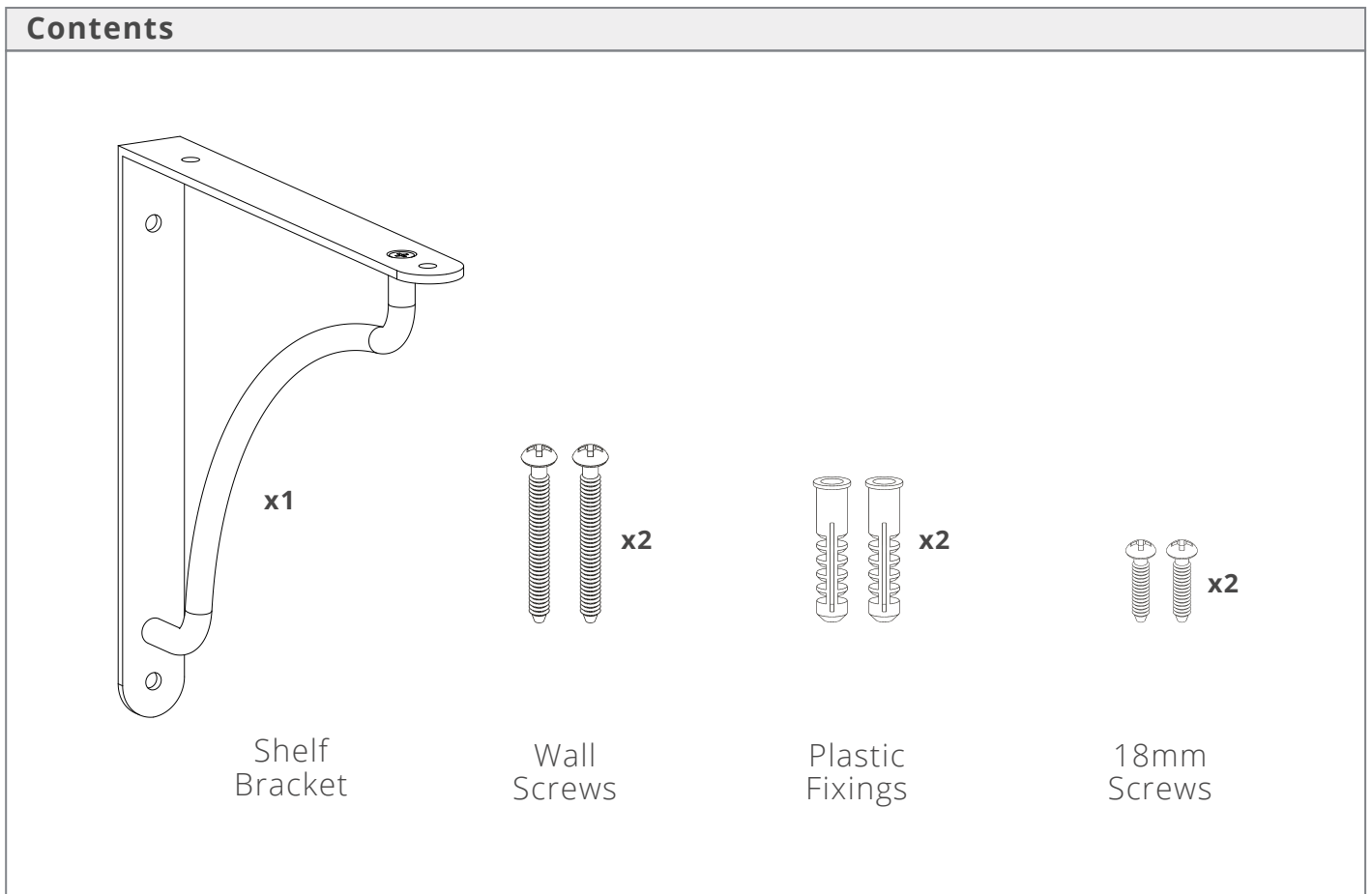


Shelf Bracket Fitting Instructions



Fitting

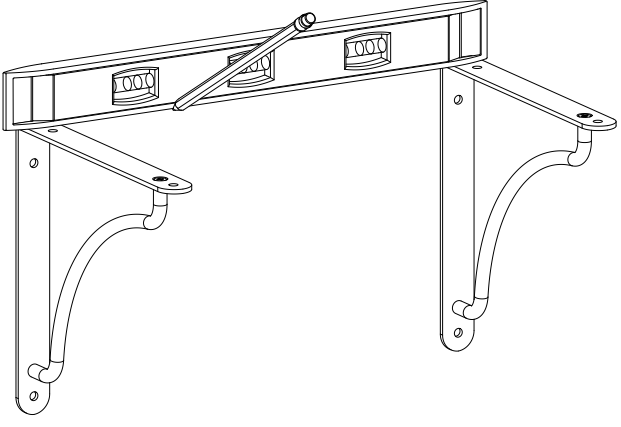
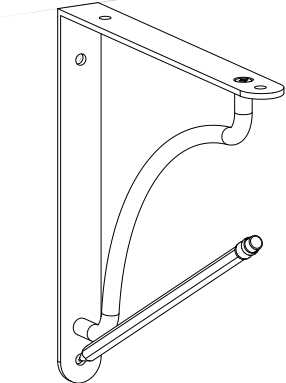
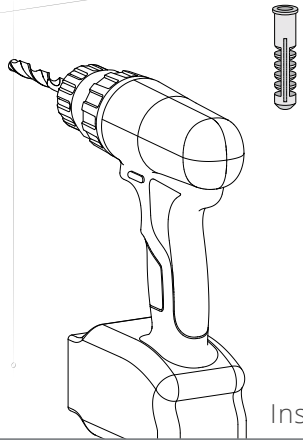
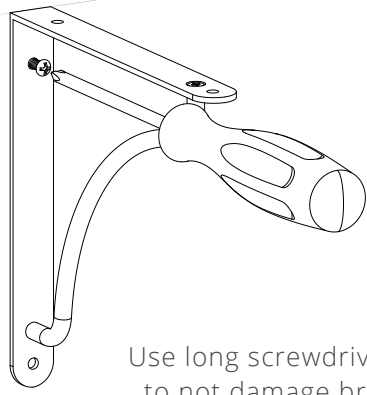
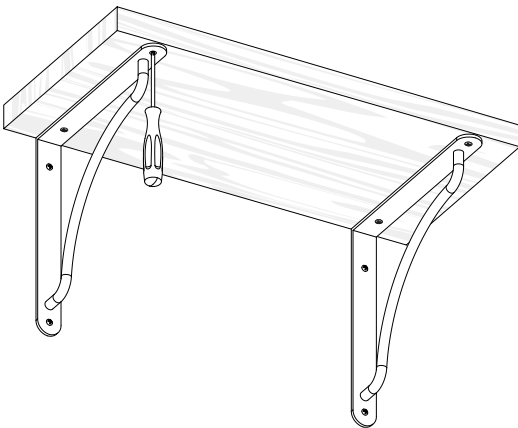
Before fitting, choose a suitable shelf to be used with the shelf brackets, work out how many brackets are required and how they will be spaced. If using a timber shelf, screw to the brackets using the 18mm screws. If using a stone shelf, secure with strong double-sided glazing tape or similar contact adhesive.

Care Instructions

Use a mild detergent and a damp cloth to maintain the hardware, avoiding chemical cleaners. Touching the hardware with another metal or hard object is likely to scratch and/or damage it.

All finishes will age and develop over time. If brass cleaner is used, it will remove the protective lacquer.

Shelf Bracket Fitting Instructions

<p>1. Mark the horizontal shelf position</p> 	<p>2. Mark the vertical hole positions</p> 
<p>3. Drill two 8mm holes per bracket</p>  <p>Insert solid wall fixing</p>	<p>4. Attach bracket with the long screws</p>  <p>Use long screwdriver so to not damage bracket</p>
<p>5. For timber shelves, screw on</p> 	<p>6. For stone, use contact adhesive</p> 