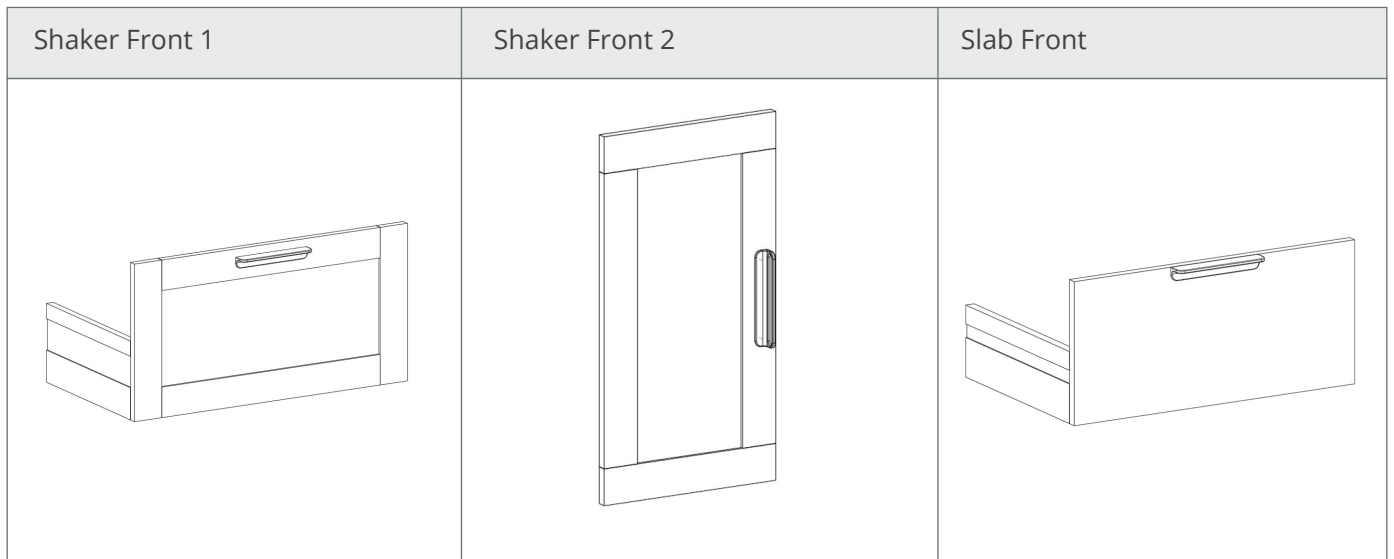
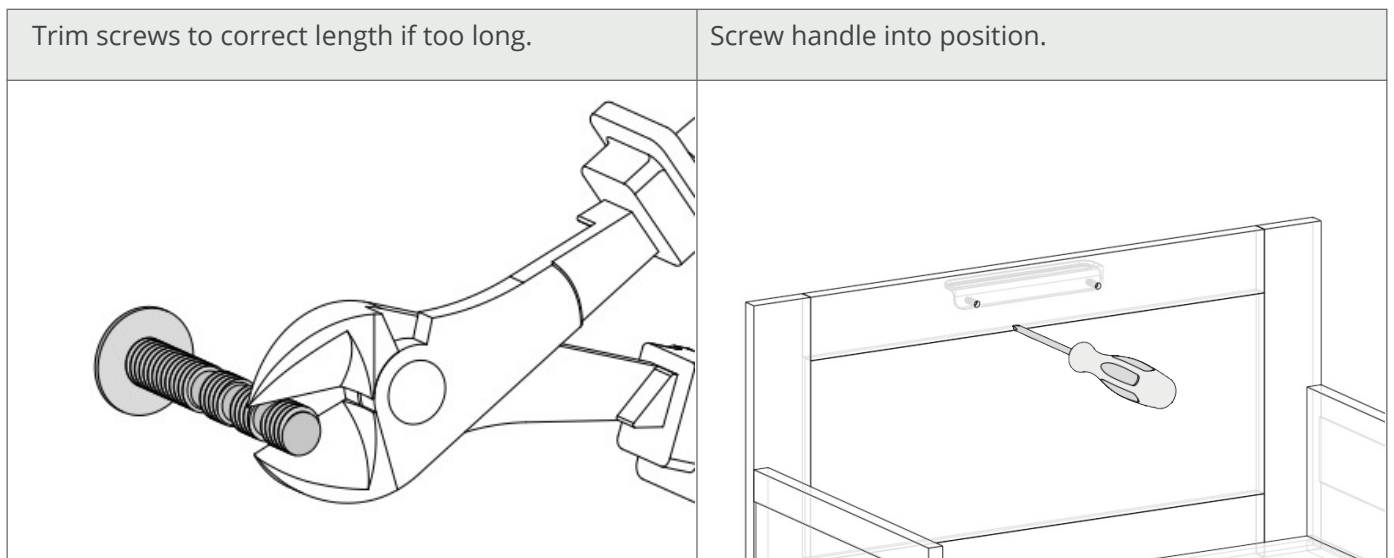
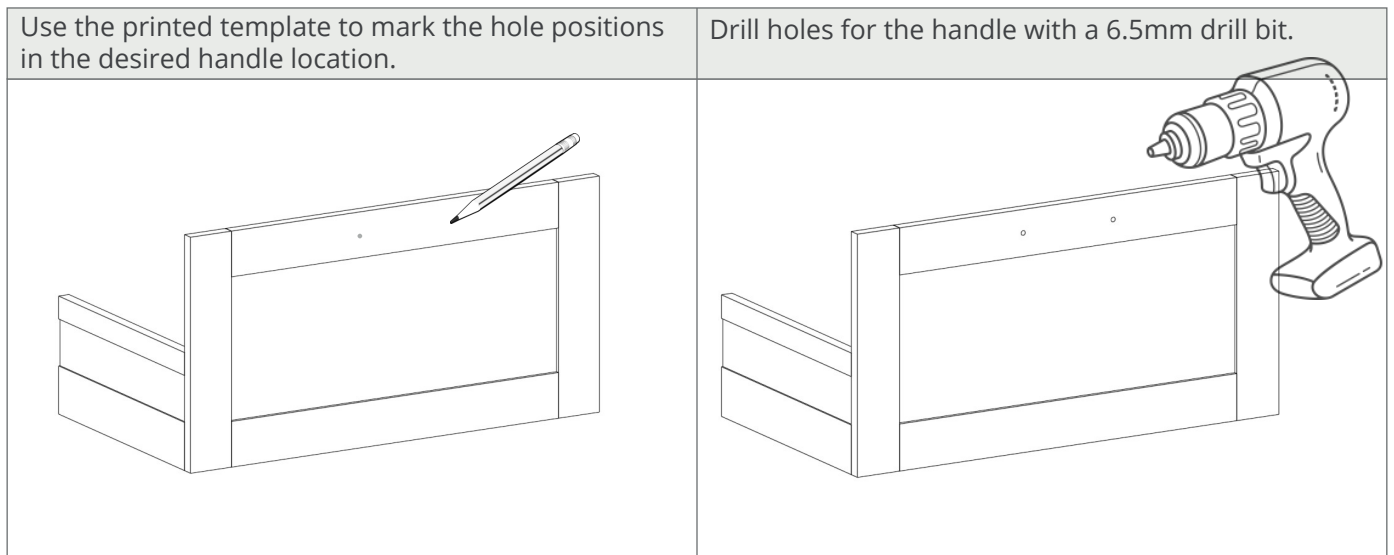


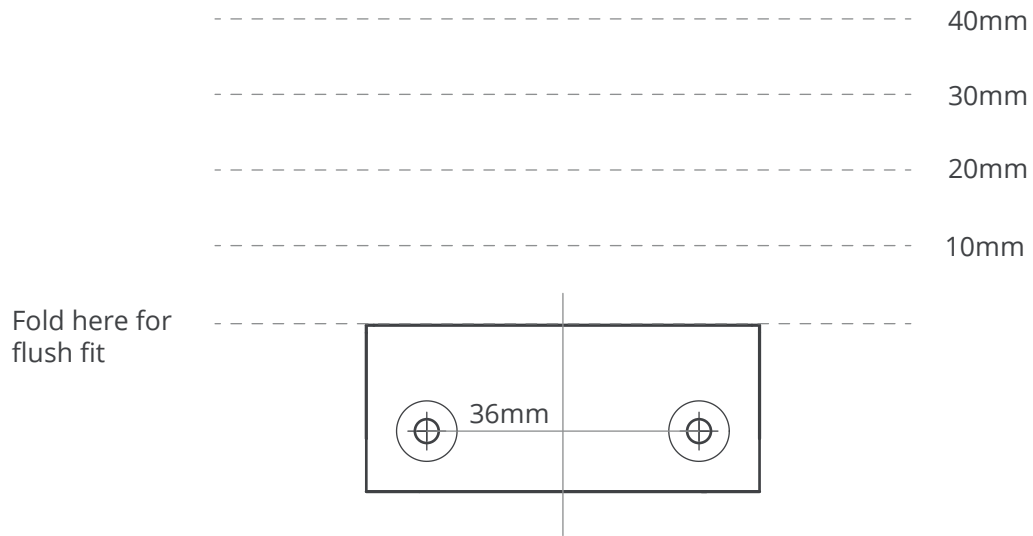
Oxford handle instructions



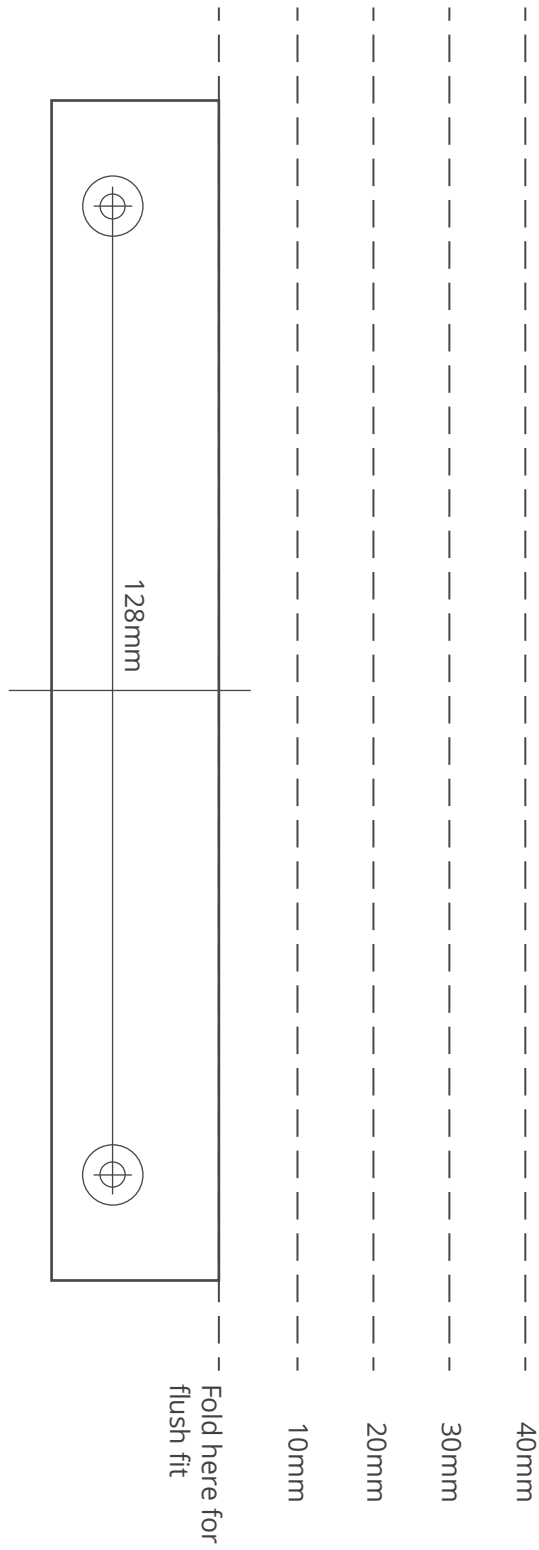
Please Note: Oxford handles can be mounted horizontally & vertically.



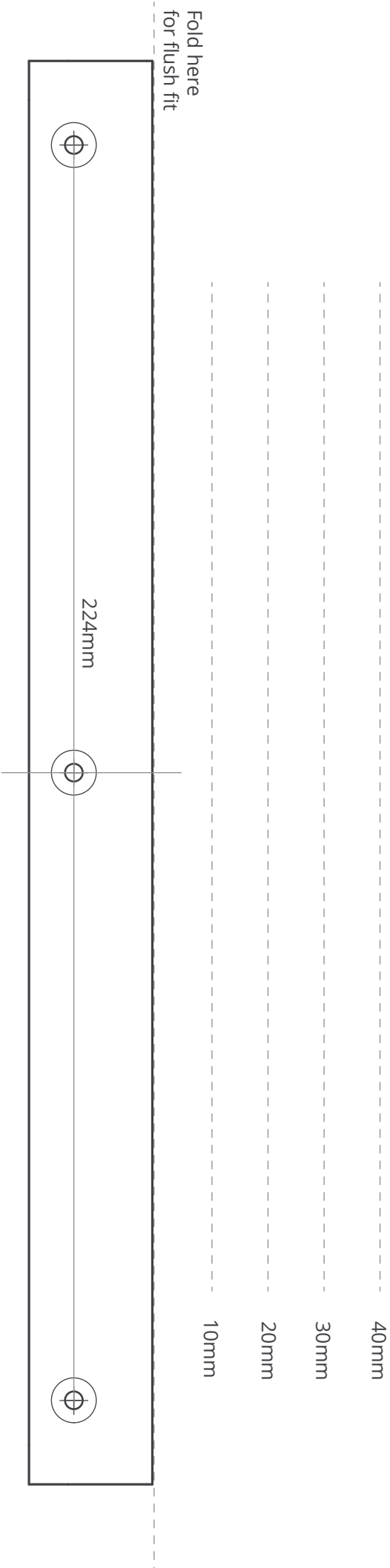
36mm Oxford handle mounting template



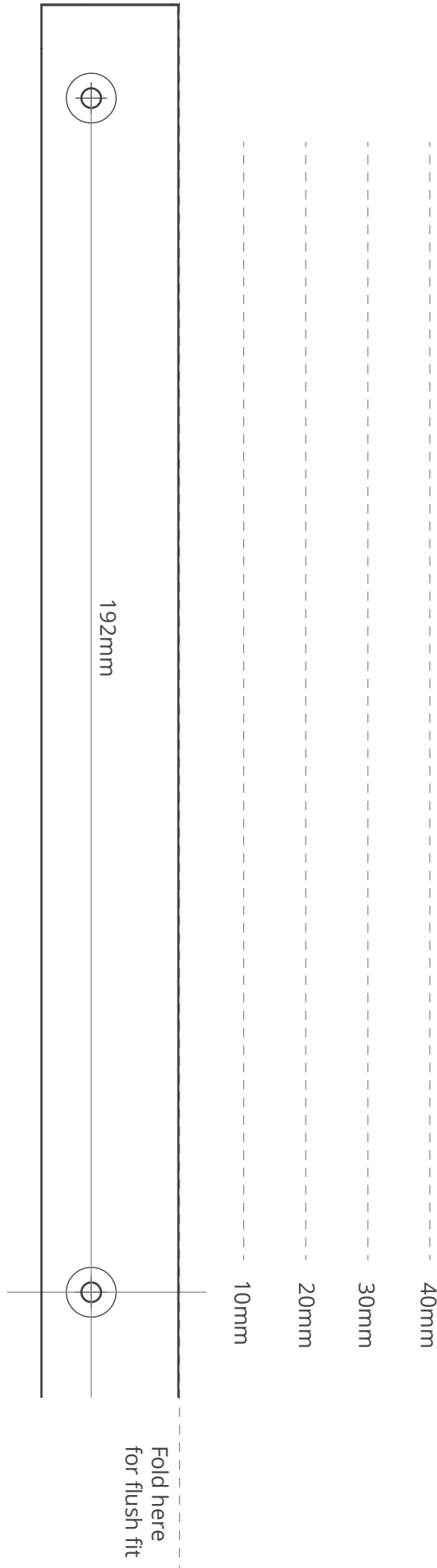
128mm Oxford handle mounting template



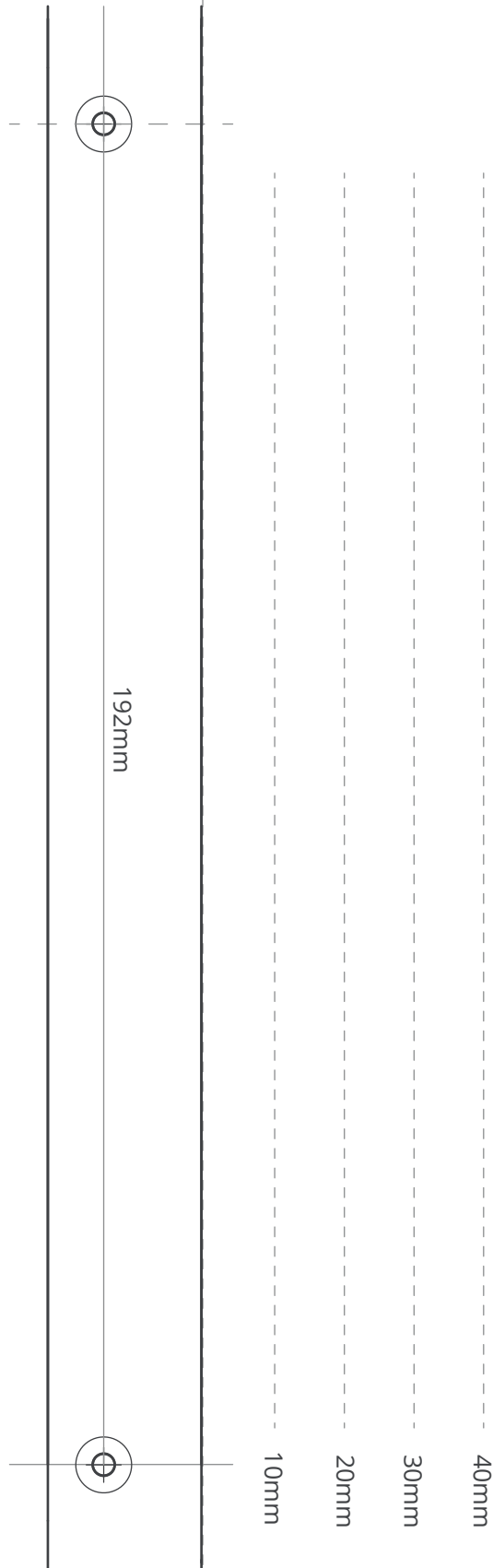
224mm Oxford handle mounting template



384mm Oxford handle mounting template
Please stick page 5 & 6 together



384mm Oxford handle mounting template
Please stick page 5 & 6 together



Fold here
for flush fit