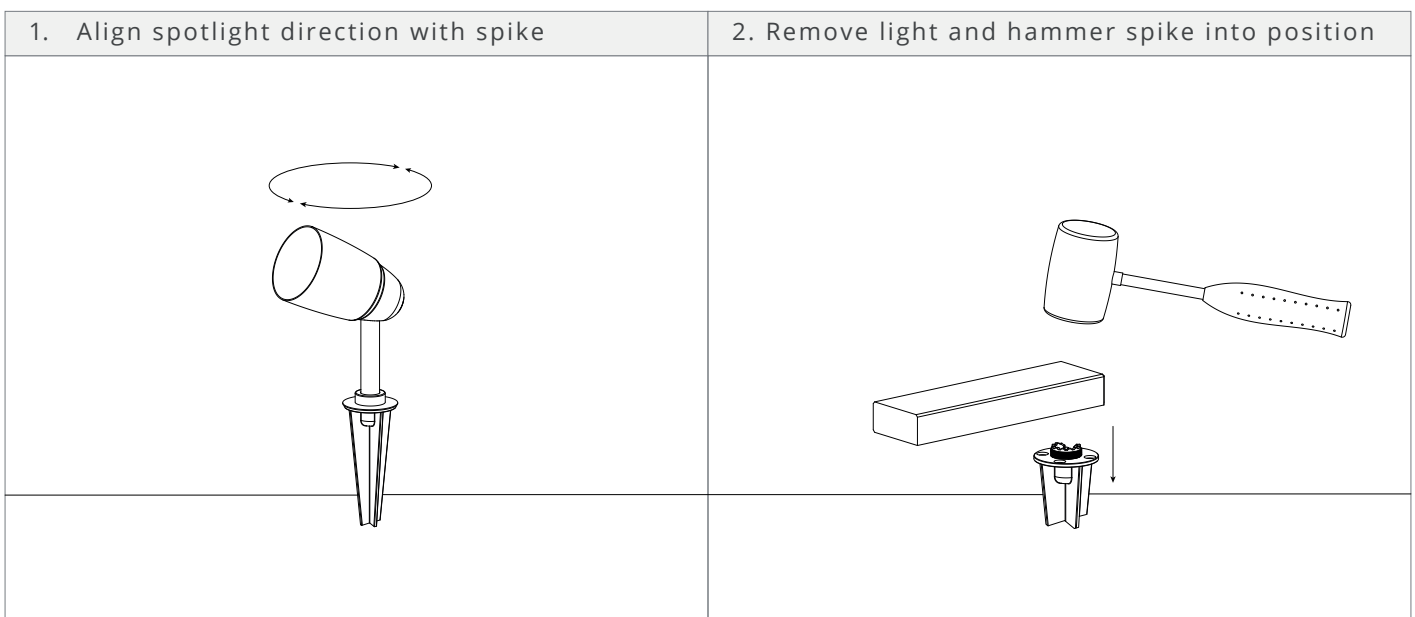
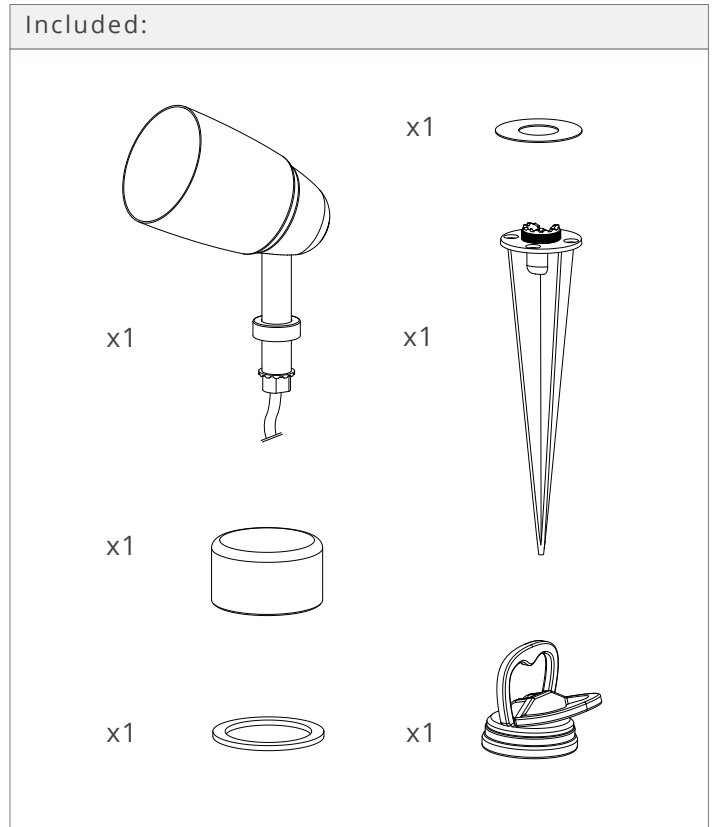


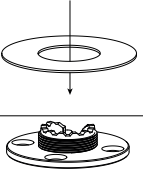
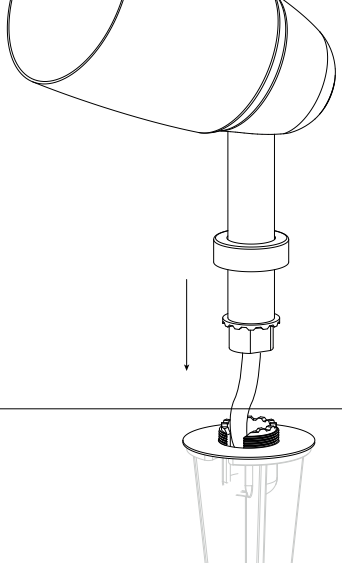

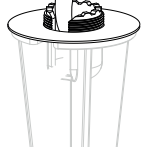
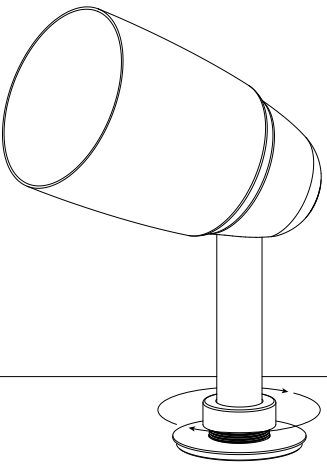
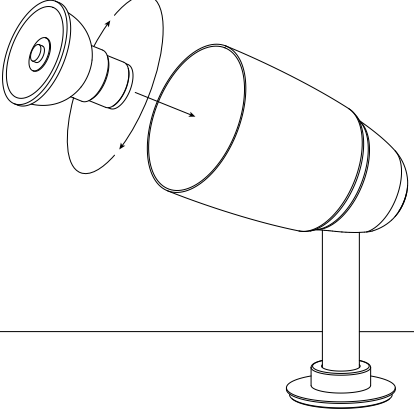
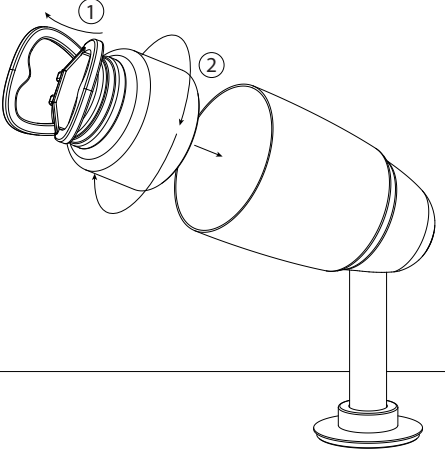
## Ealing Ground Spotlight Instructions

These products must be installed in dry conditions by a qualified electrician. Turn off electrical supply to circuit before installation.

Location	Exterior
Class	Class 1
IP Rating	IP56
Driver Required	No
Fire Rating	No
Cable Length	3000mm
Light Source	GU10
Max Wattage	6W
Lamp Included	No
Switched	No
Dimmable	Bulb Dependant
Rated Voltage	220-240V
Rated Frequency	50 /60Hz



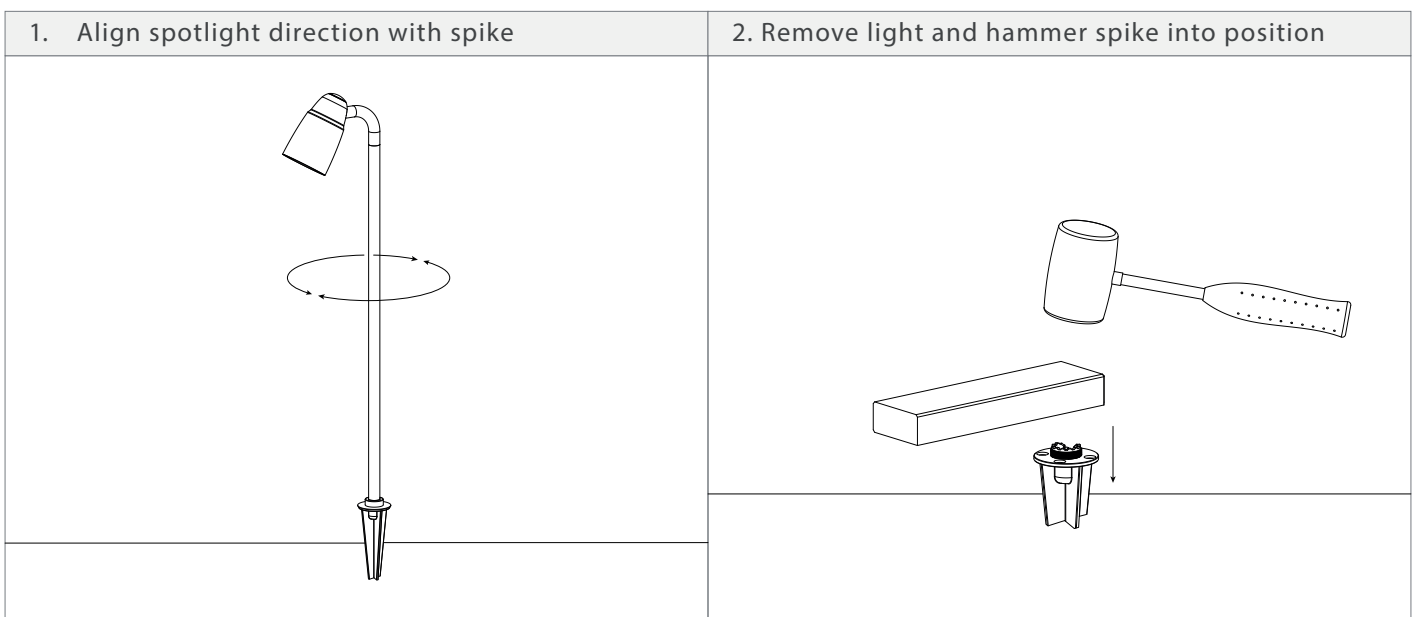
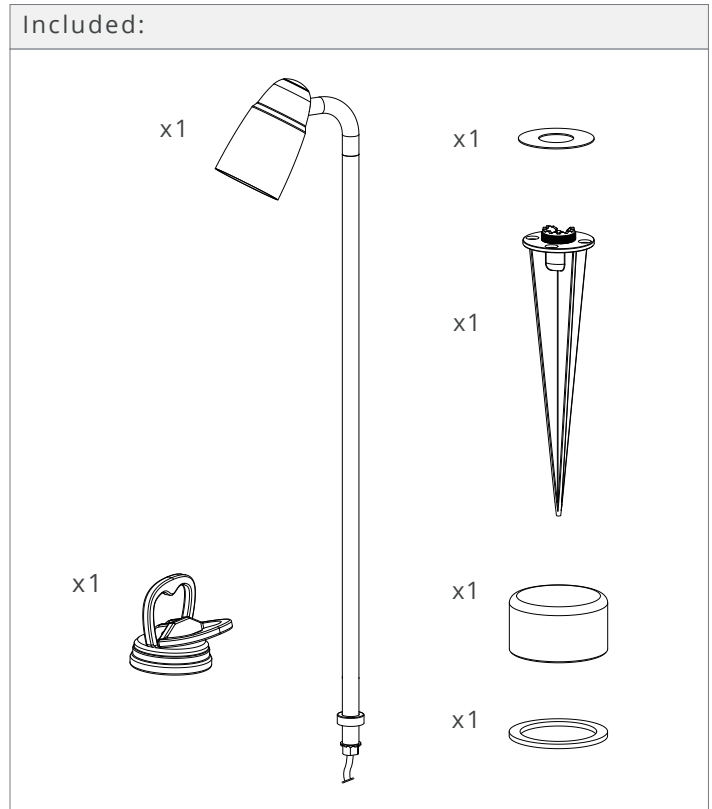
## Ealing Ground Spotlight Instructions

3. Cover base with brass cover	4. Feed cable into position
	
	
5. Place light and tighten collar	6. Install bulb
	
7. Install glass cover using suction tool	
	

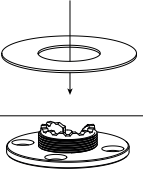
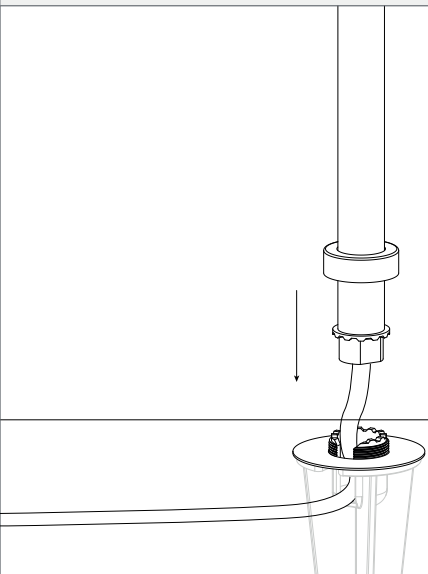


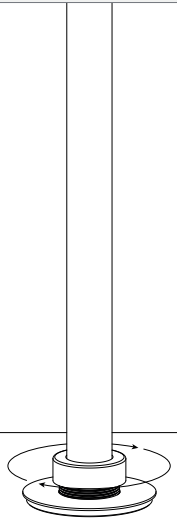
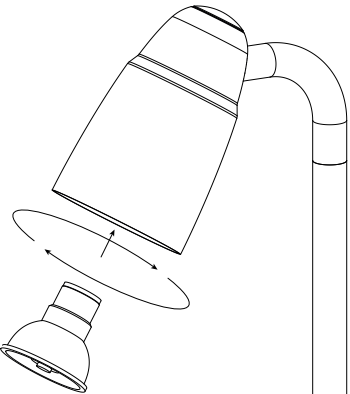
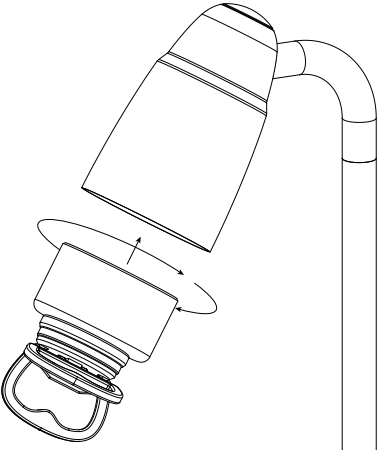
## Ealing Path Spotlight Instructions

These products must be installed in dry conditions by a qualified electrician. Turn off electrical supply to circuit before installation.

Location	Exterior
Class	Class 1
IP Rating	IP56
Driver Required	No
Fire Rating	No
Cable Length	3000mm
Light Source	GU10
Max Wattage	6W
Lamp Included	No
Switched	No
Dimmable	Bulb Dependant
Rated Voltage	220-240V
Rated Frequency	50 /60Hz



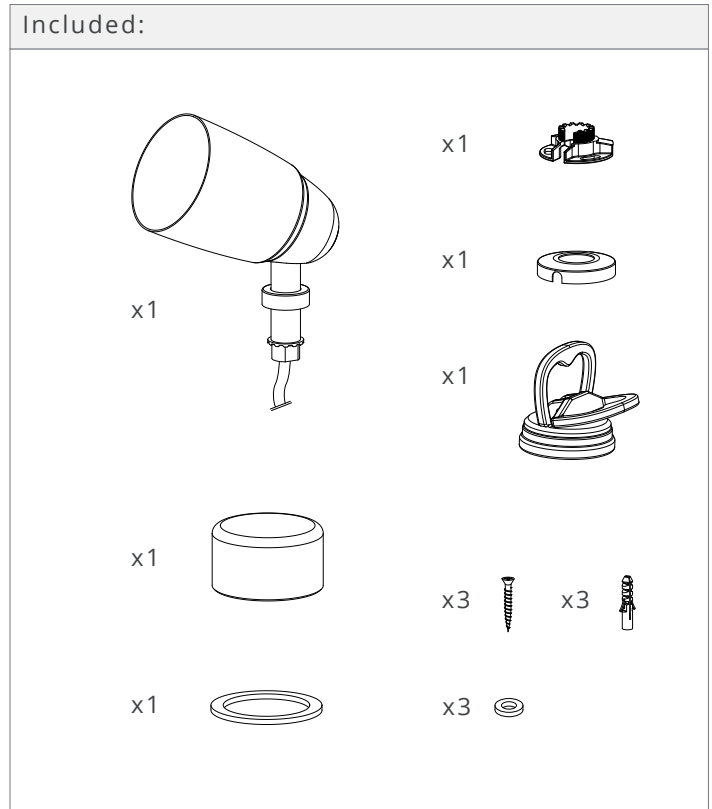
## Ealing Path Spotlight Instructions

<p>3. Cover base with brass cover</p> 	<p>4. Feed cable into position</p> 
	
<p>5. Place light and tighten collar</p> 	<p>6. Install bulb</p> 
<p>7. Install glass cover using suction tool</p> 	

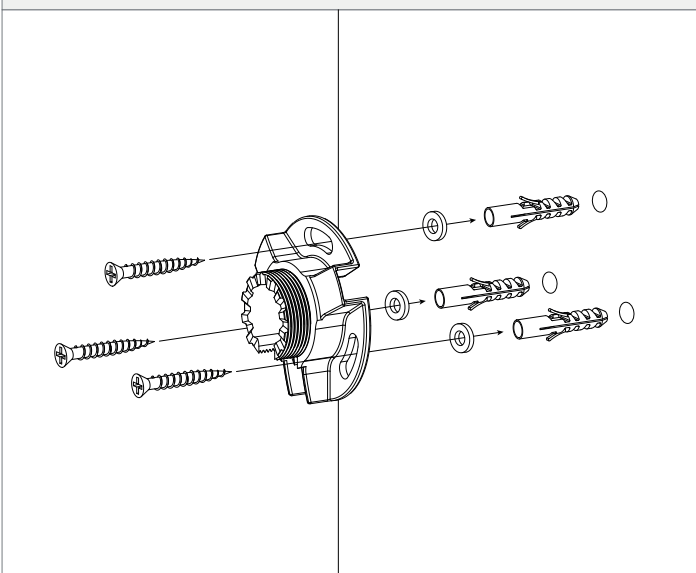
## Ealing Ground Spotlight Instructions

These products must be installed in dry conditions by a qualified electrician. Turn off electrical supply to circuit before installation.

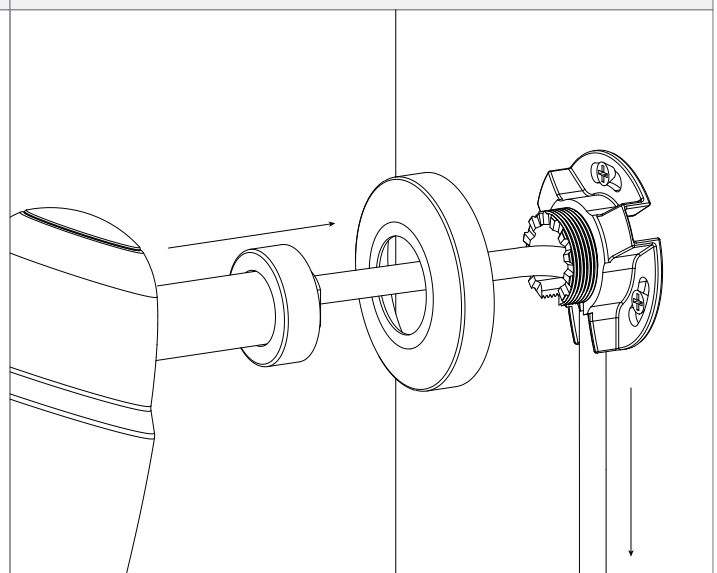
Location	Exterior
Class	Class 1
IP Rating	IP56
Driver Required	No
Fire Rating	No
Cable Length	3000mm
Light Source	GU10
Max Wattage	6W
Lamp Included	No
Switched	No
Dimmable	Bulb Dependant
Rated Voltage	220-240V
Rated Frequency	50 /60HZ



### 1. Drill holes, set anchors and screw base to wall

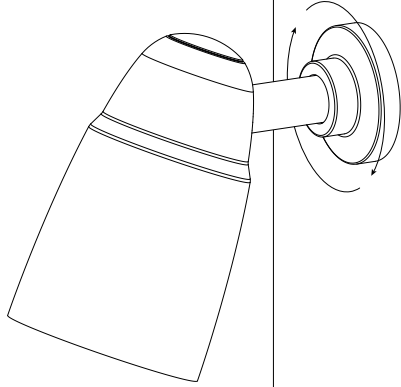


### 2. Feed cable and sit base with brass

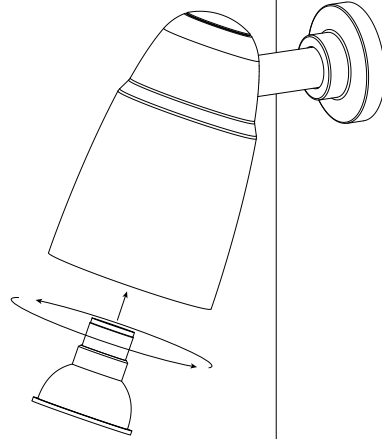


## Ealing Ground Spotlight Instructions

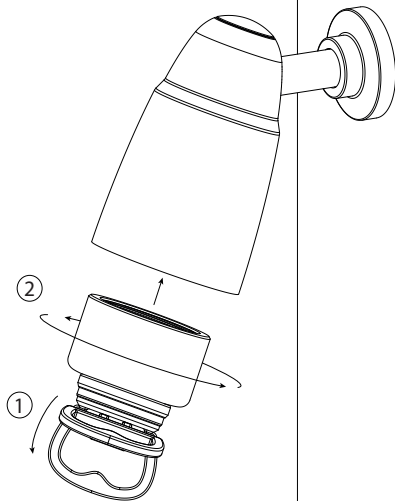
### 3. Place light and tighten collar



### 4. Install bulb



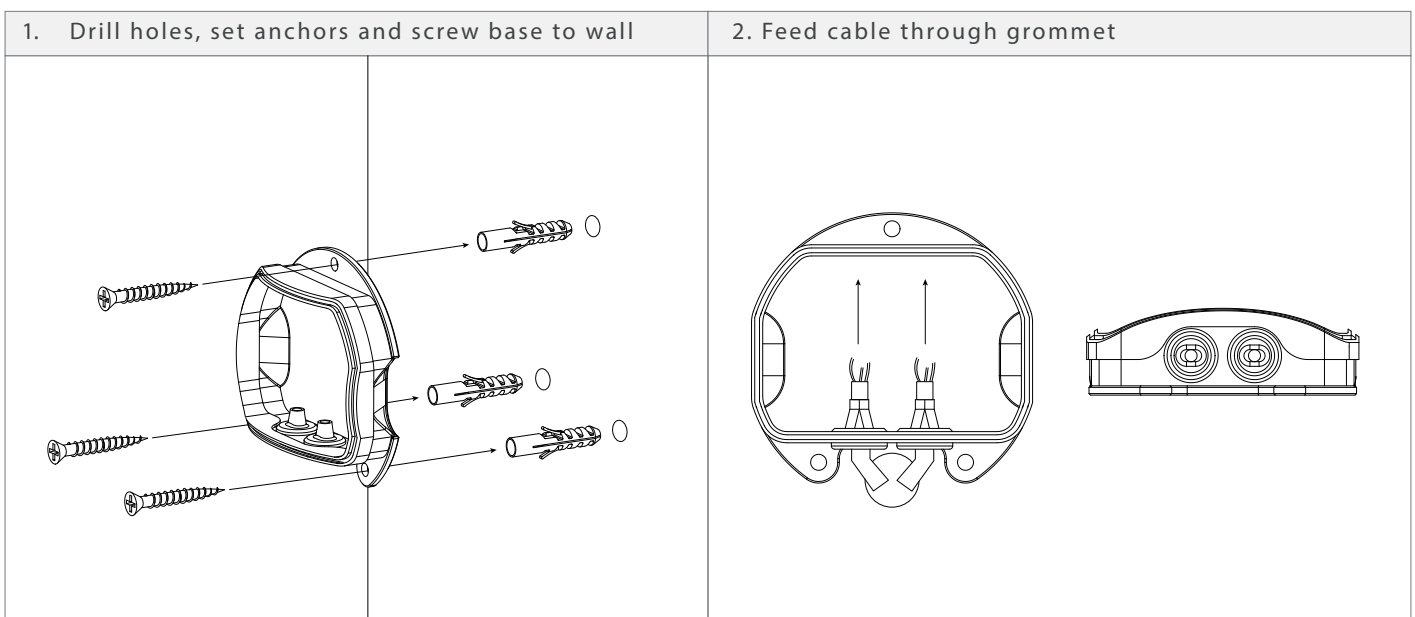
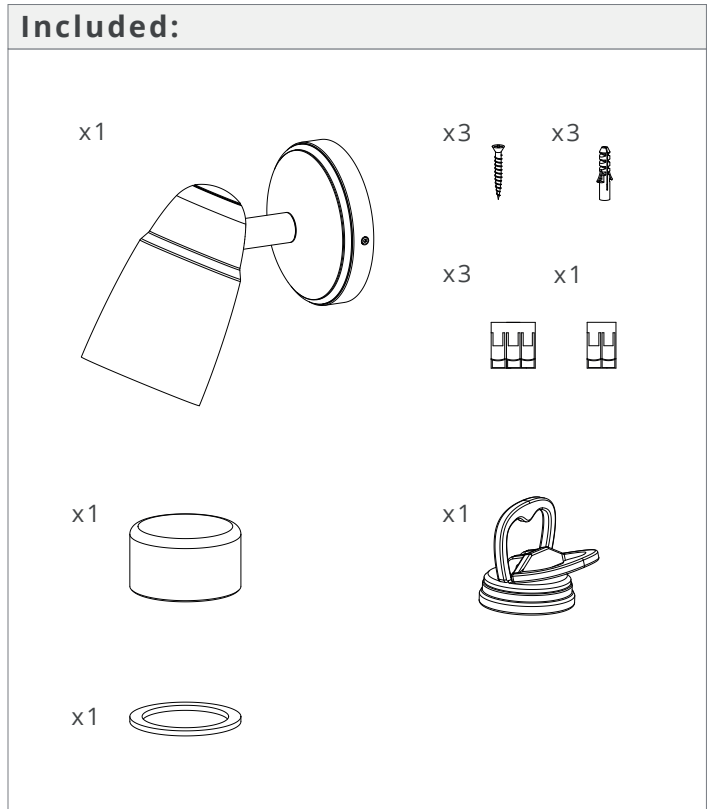
### 5. Install glass cover using suction tool



## Ealing Ground Spotlight Instructions

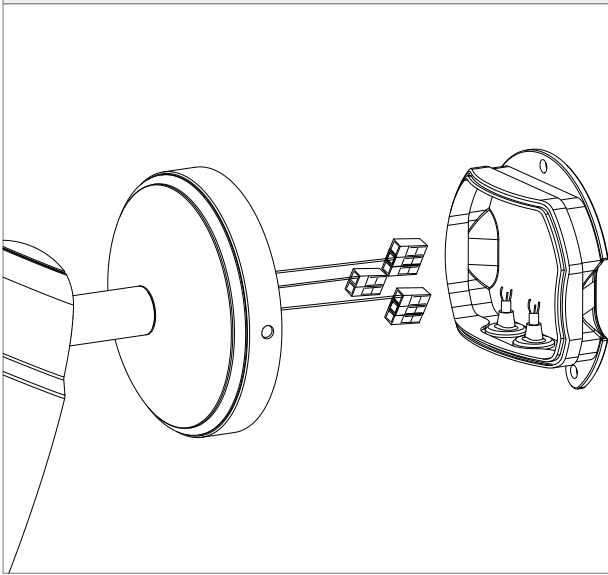
These products must be installed in dry conditions by a qualified electrician. Turn off electrical supply to circuit before installation.

Location	Exterior
Class	Class 1
IP Rating	IP56
Driver Required	No
Fire Rating	No
Cable Length	3000mm
Light Source	GU10
Max Wattage	6W
Lamp Included	No
Switched	No
Dimmable	Bulb Dependant
Rated Voltage	220-240V
Rated Frequency	50 /60Hz

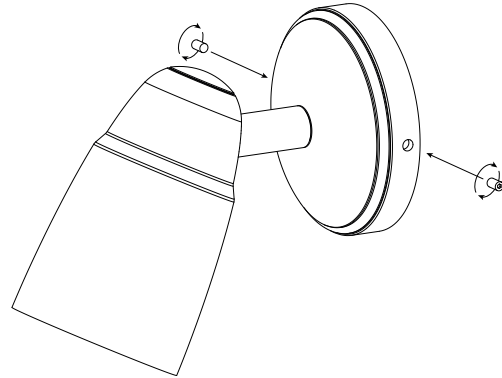


## Ealing Ground Spotlight Instructions

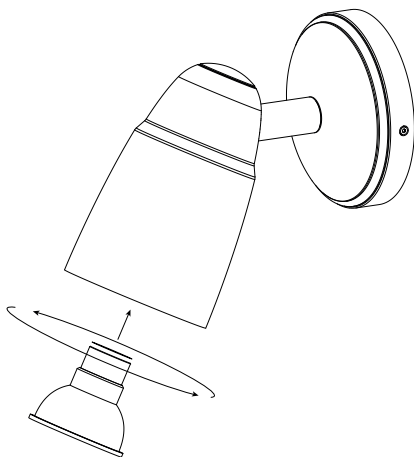
3. Make connections using Wagos



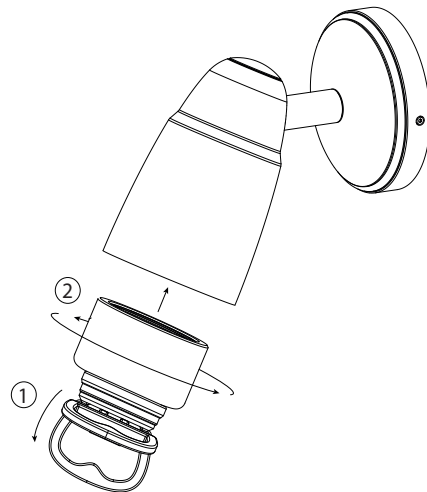
4. Attach base with grub screws



5. Install bulb



6. Install glass cover using suction tool





## Waterproof Connector Instructions

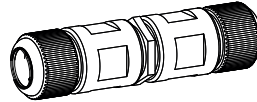
These products must be installed in dry conditions by a qualified electrician. Turn off electrical supply to circuit before installation.

Location	Exterior
IP Rating	IP56
Fire Rating	No



Included:

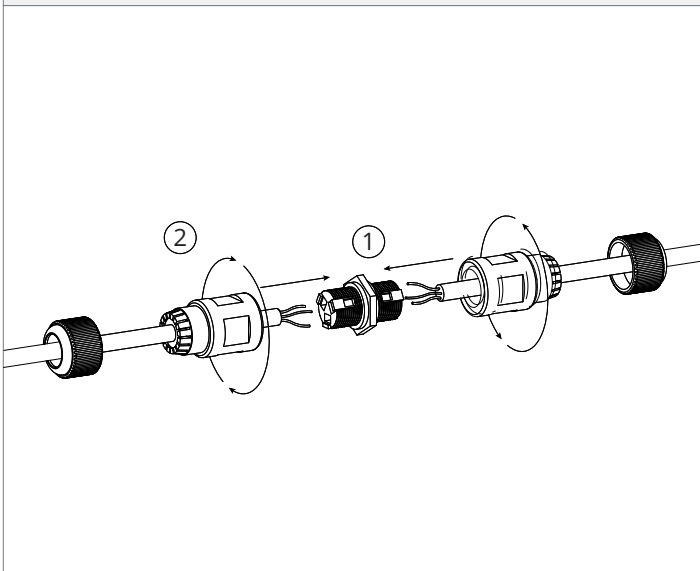
x1



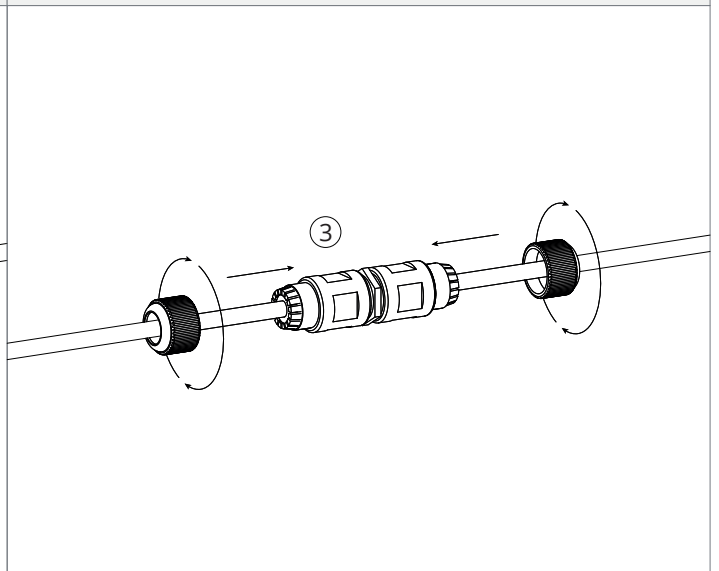
x2



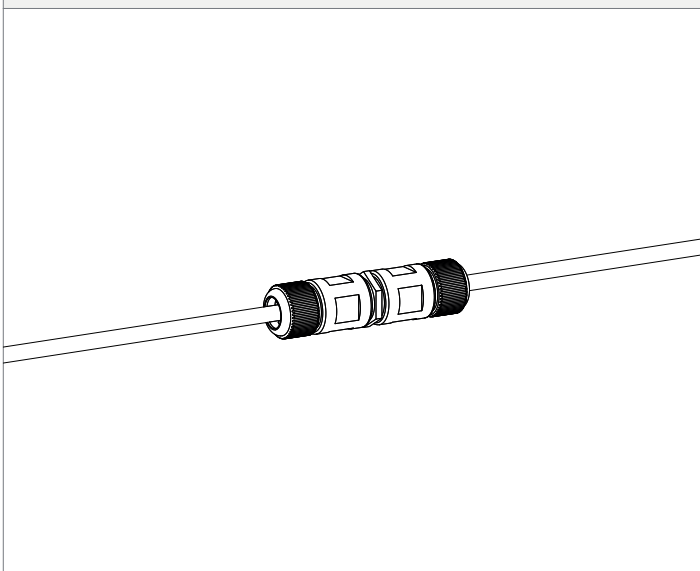
1. Connect wires using waterproof terminal



2. Screw on clamps

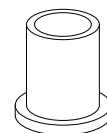


3. Hide connection



4. Swap grommets when using armoured cable

x2



## Waterproof Connector Instructions

These products must be installed in dry conditions by a qualified electrician. Turn off electrical supply to circuit before installation.

Location	Exterior
IP Rating	IP56
Fire Rating	No

