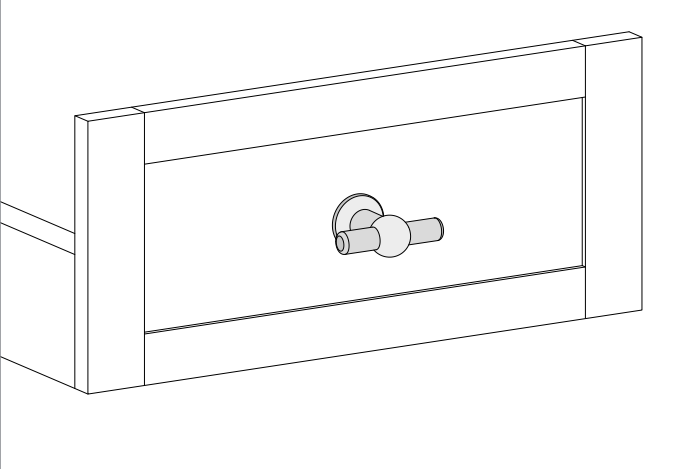
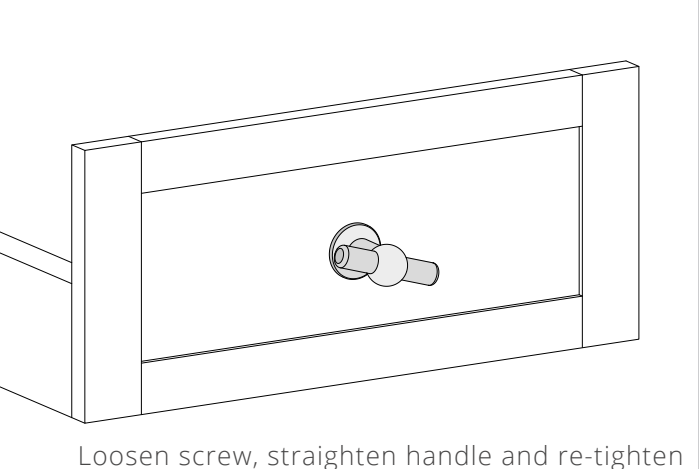
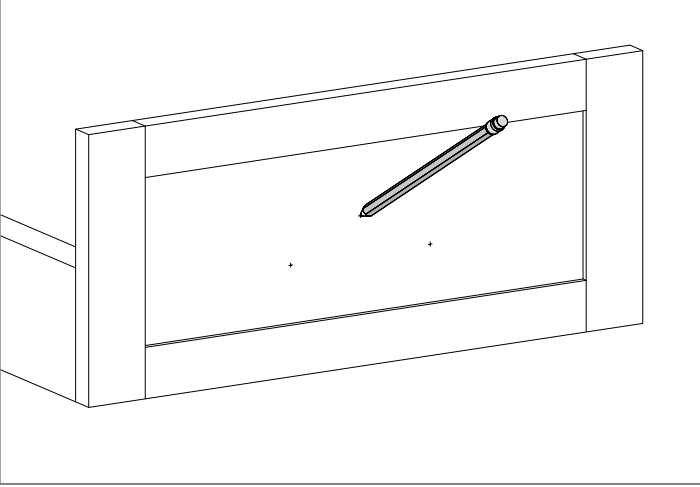
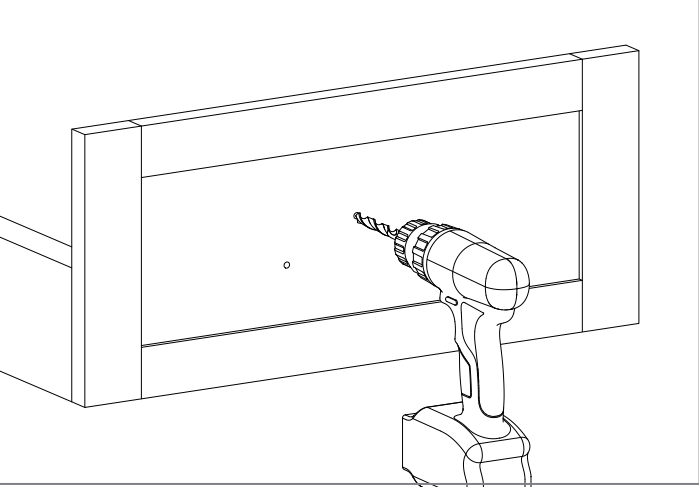
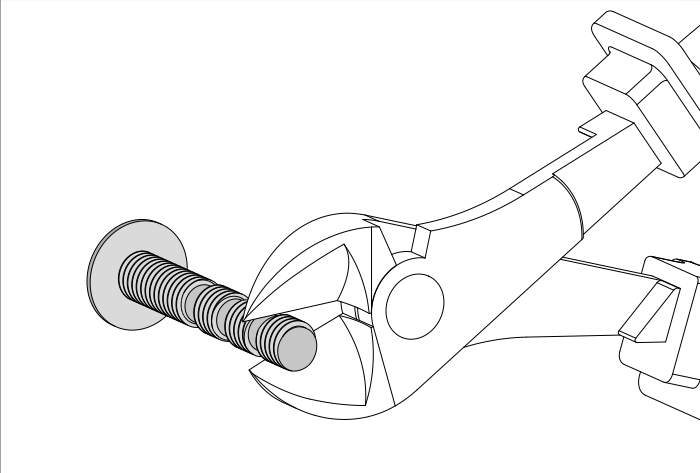
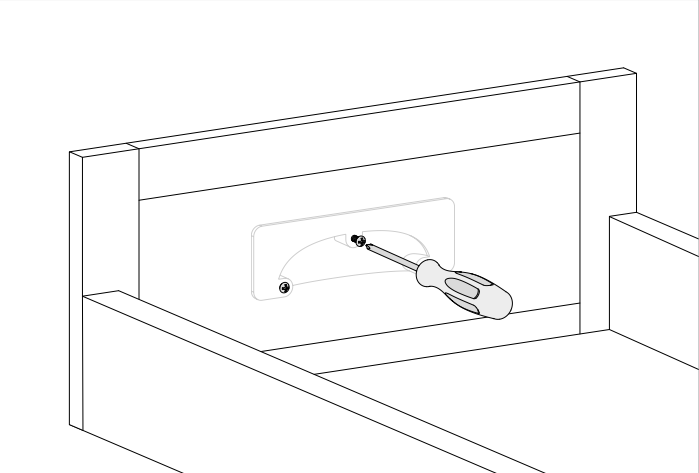


## Furniture Handle Fitting Instructions

1. Secure with M4 screw provided	2. If handle is not straight
	 <p>Loosen screw, straighten handle and re-tighten</p>

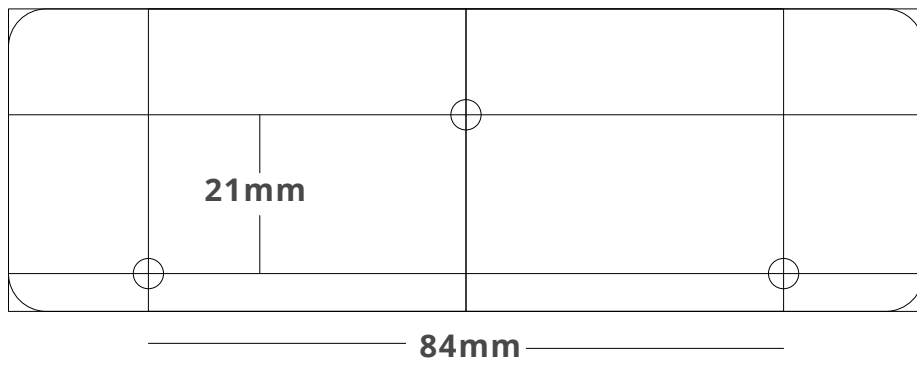
**Please Note:** Do not turn the handle onto a stationary screw as this may damage the door.

## Cup Handle Fitting Instructions

1. Mark hole positions on cabinet*	2. Drill holes for the handle
	
3. Trim screw if too long	4. Screw handle into position
	

**\*Please Note:** Use the templates provided

## 84mm Elm Cup Handle Template



### 164mm Elm Cup Handle Template

