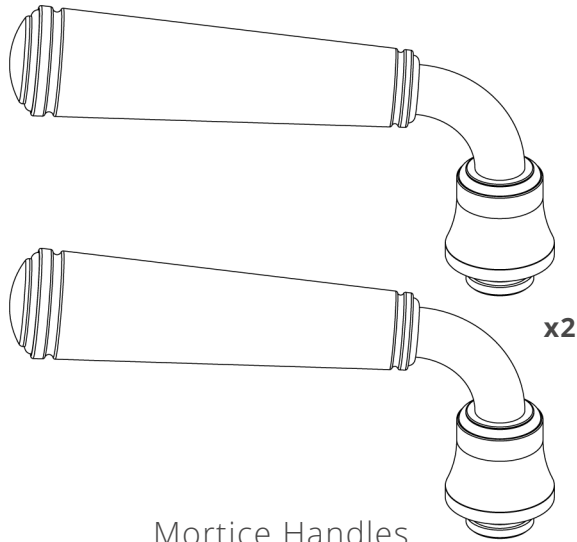


Mortice Door Instructions

Corston door handles are made of brass so they are heavy. They are un-sprung so require locks/latches that have a strong spring. We recommend Corston locks/latches or Euro/Architectural locks.

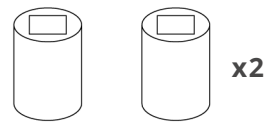
Contents



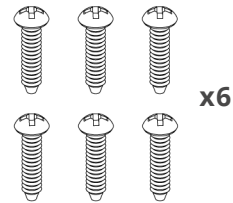
Mortice Handles



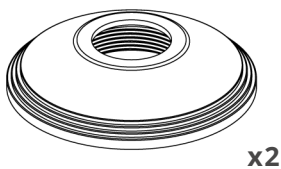
Grub Screws



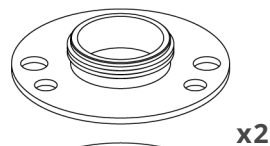
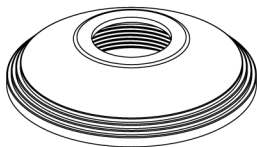
Plastic Spacers



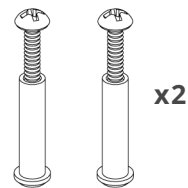
Wood Screws



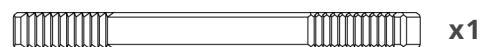
Roses



Mounting Roses



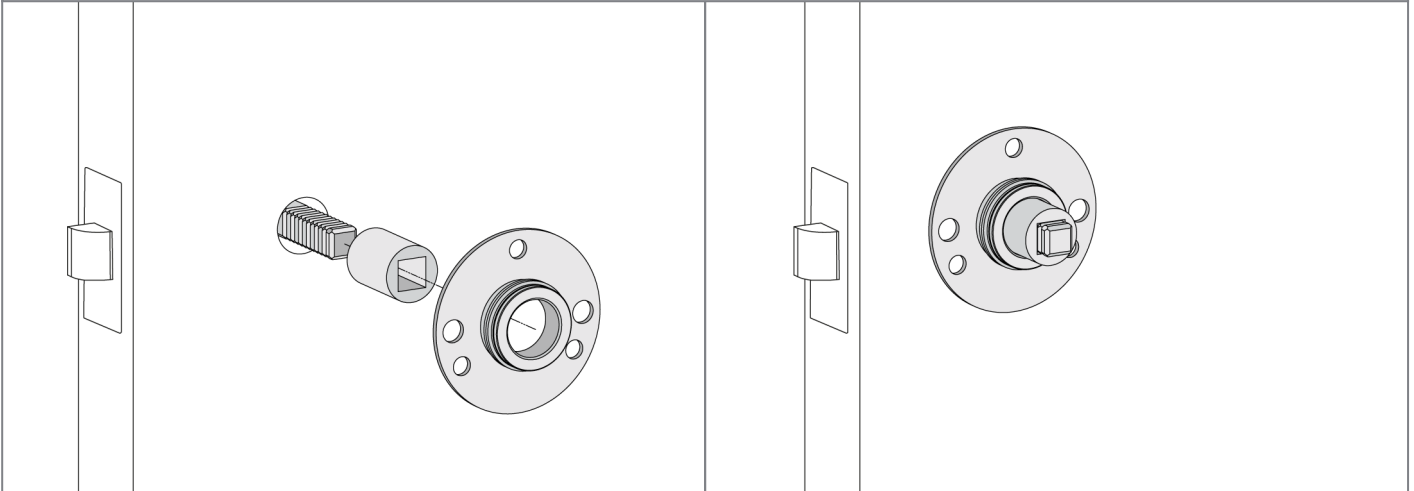
M4 Screws
M4 Brass Sleeves



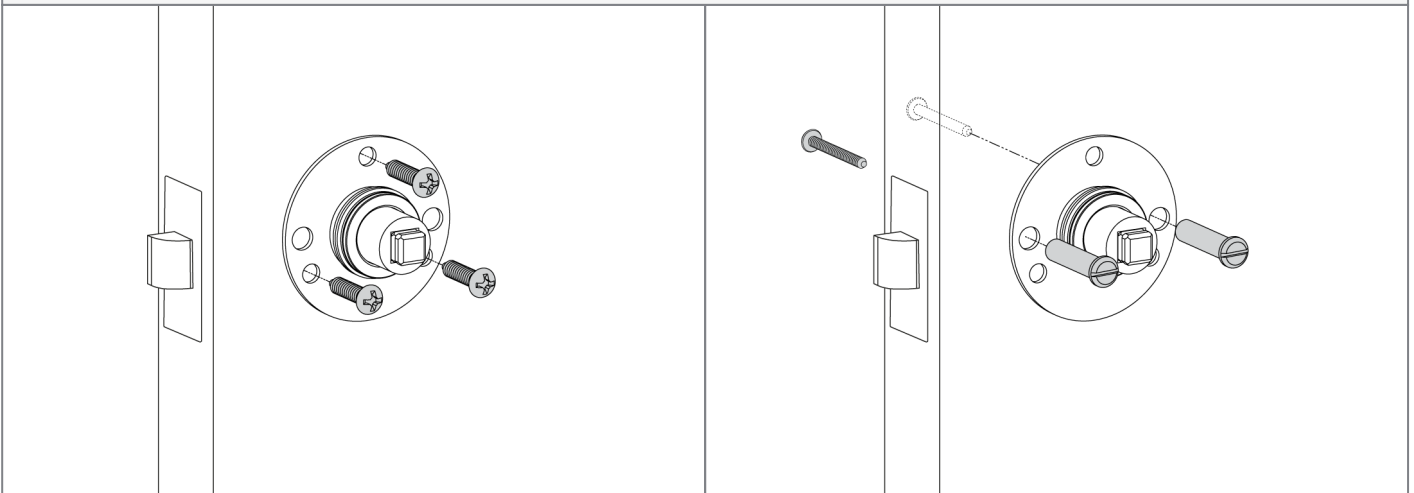
Grip Spindle

Mortice Door Instructions

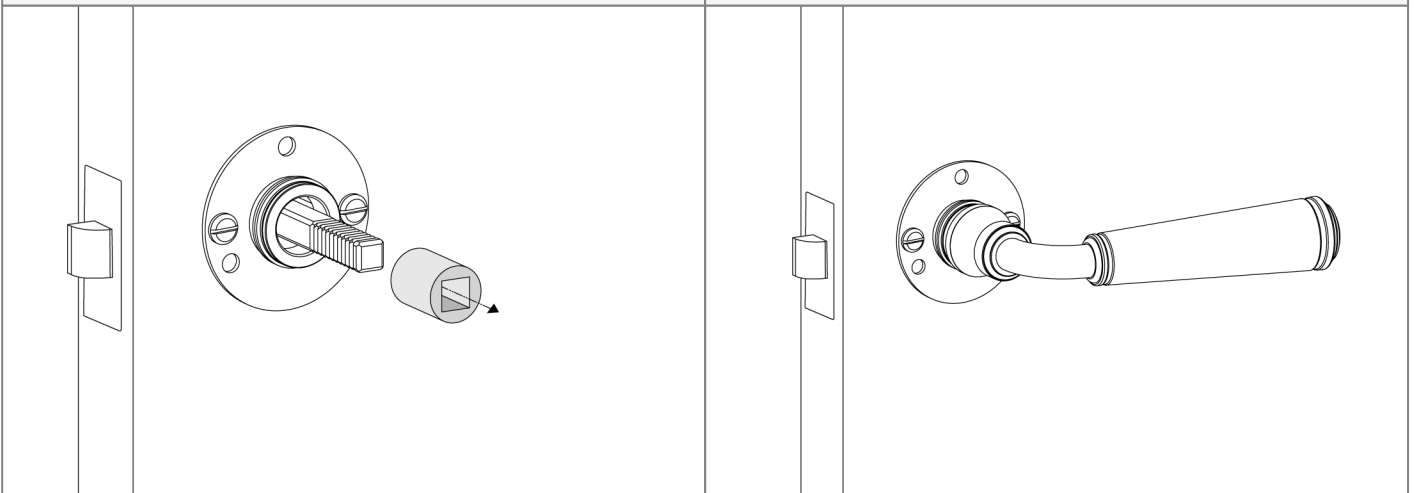
1. After installing the latch, install the spindle, spacers and mounting roses



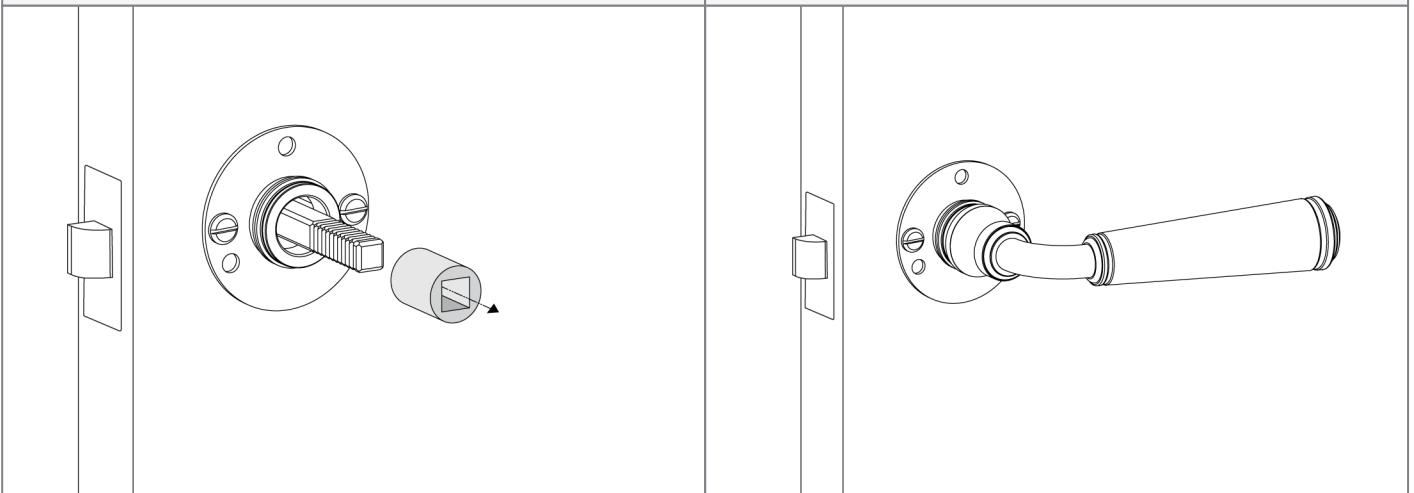
2. Attach with wood screws or M4 screws and brass sleeves



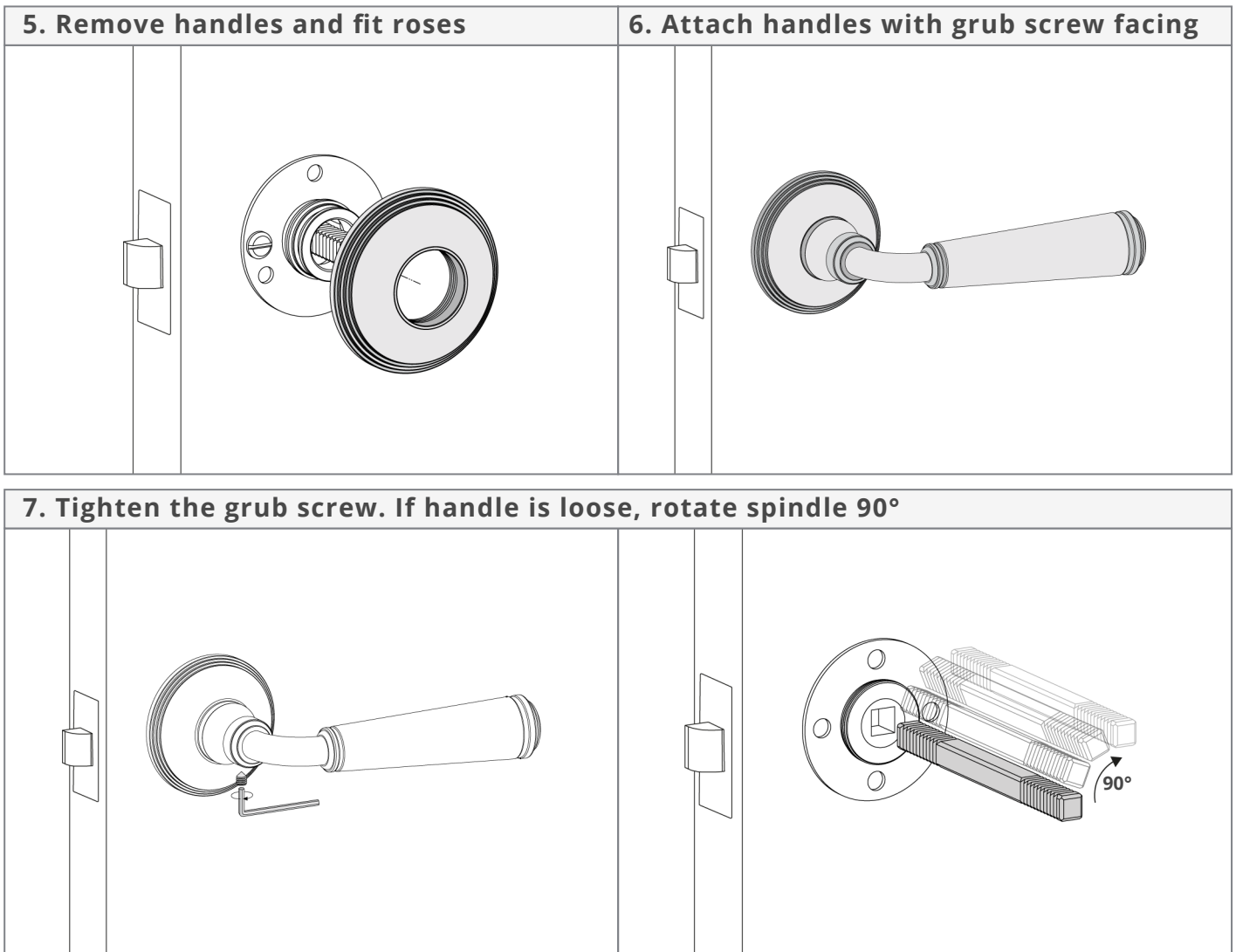
3. Remove the plastic spacers



4. Test fit and trim spindle if needed



Mortice Door Instructions



Troubleshooting

If the handle does not return to the starting position properly, ensure that:

- The latch or lock used have a strong spring. Normal latches are not designed for heavy brass handles.
- The mounting roses are aligned properly through the lock/latch.
- The faces of the door are level, without excess paint preventing the mount from sitting flat on the door.

Care Instructions

Use a mild detergent and a damp cloth to maintain the handles, avoiding chemical cleaners. **All finishes will age and develop over time.** If brass cleaner is used, it will remove the protective lacquer.