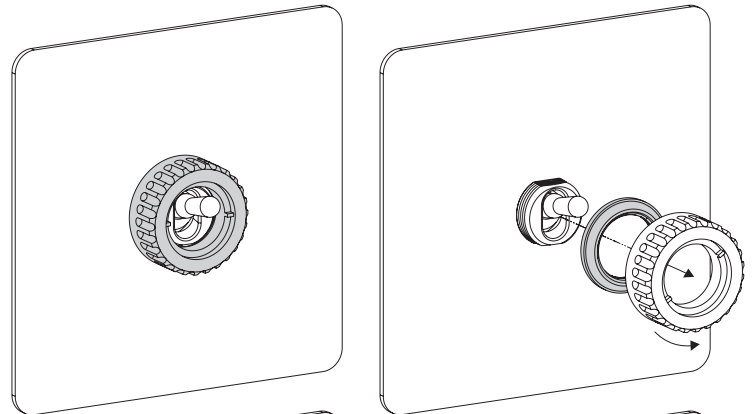


Switch Fitting Instructions

Isolate the power supply at the consumer unit circuit breaker. Verify that the power is off. These products must be installed in accordance with the latest building regulations. If in any doubt, please contact a qualified electrician.

Toggle Switches

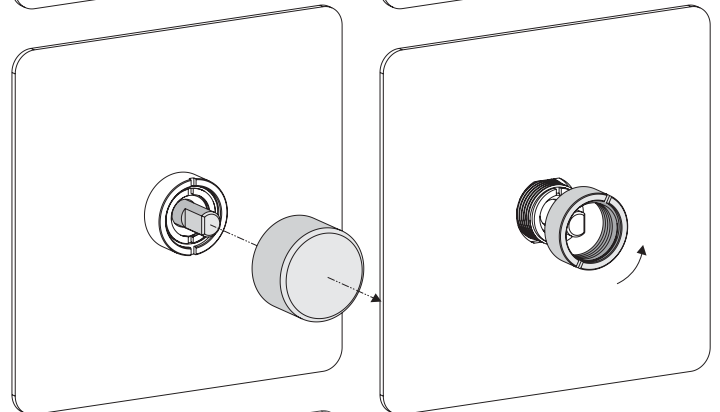
Use the toggle ring tool provided to unscrew the retaining metal toggle ring.



Dimmer Switches

Pull the dimmer knob off and unscrew the ring by hand or gently with a screwdriver.

When reassembling, align the flat edge of the dimmer stalk with the knob.

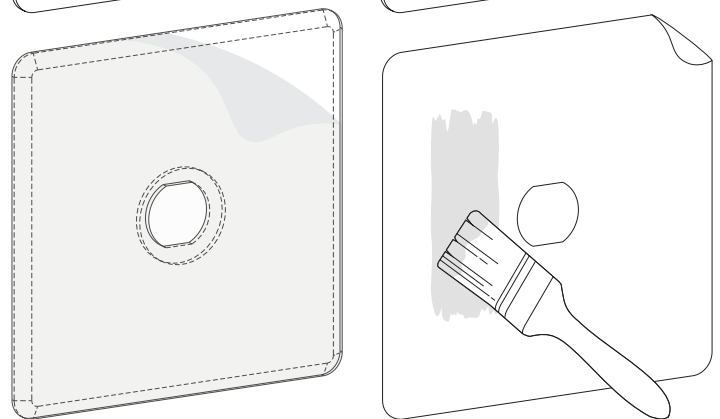


Clear Switches

Remove plastic backing from plate.

Cover paper template with wallpaper or two coats of paint.

Place behind perspex before installation.



Before Fitting

Avoid fitting electrical fittings to wet plaster or paint. For best results, the wall surface around the mounting box should be fully finished and in excellent condition.

Ensure that the mounting box type is suitable for the electrical components, and that the mounting lugs are in the correct position for the fitting.

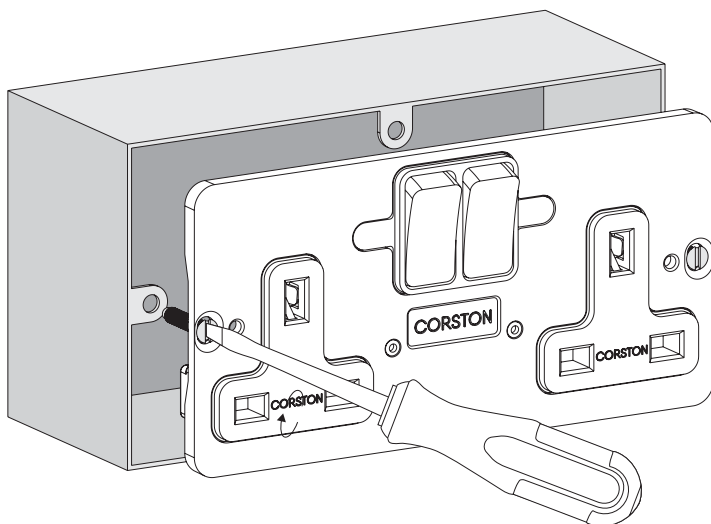
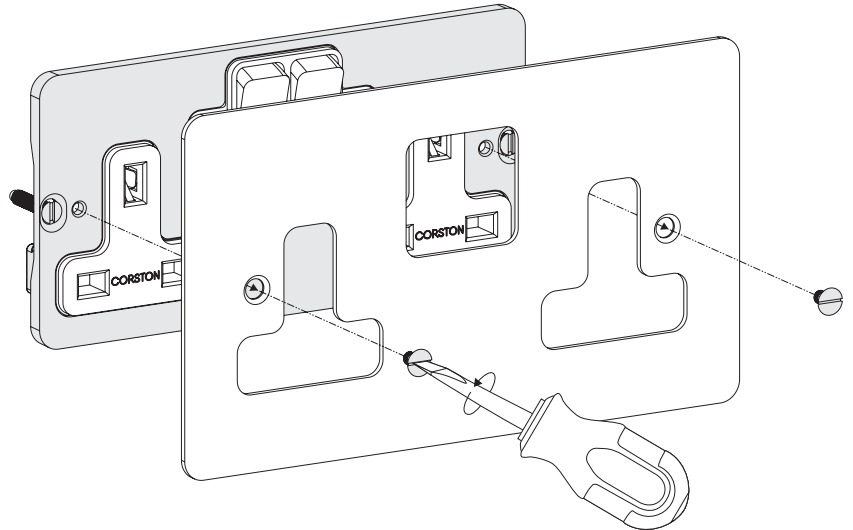
The mounting box should be flush to the wall, without a flange or lip. A 35mm or 45mm deep mounting box is recommended. 45mm boxes are available on our website.

Socket Fitting Instructions

Isolate the power supply at the consumer unit circuit breaker. Verify that the power is off. These products must be installed in accordance with the latest building regulations. If in any doubt, please contact a qualified electrician.

Sockets & Modular Units

Unscrew the front plate and remove paper for clear versions.



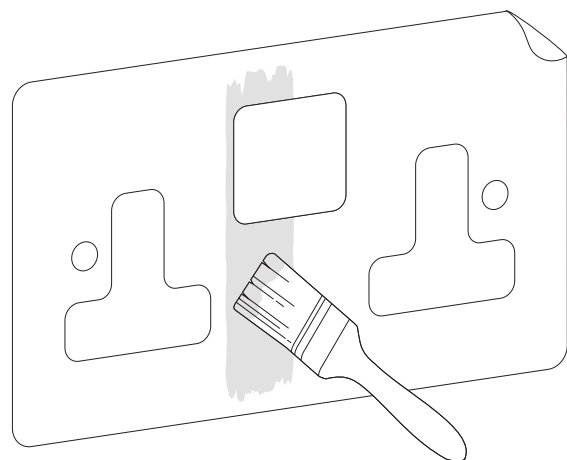
Socket Installation

Screw the silver chassis into the mounting box until it is flush with the wall. It is important to get the level correct so that the front plate creates the correct tension with the wall when it is fitted.

Clear Sockets & Modular Units

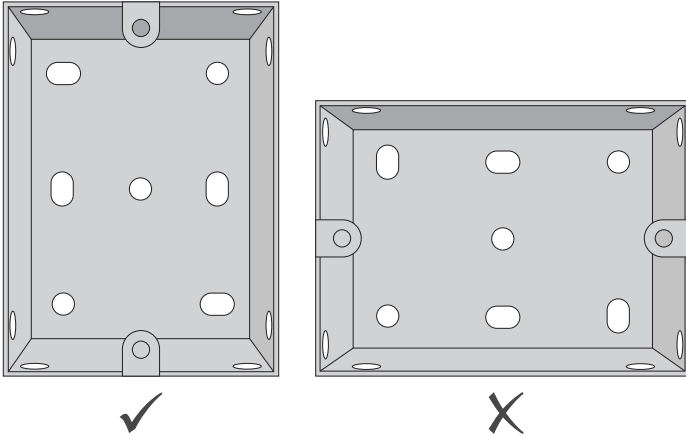
Remove the paper from behind the plate and cover with wallpaper or two coats of paint.

Place behind perspex before installation.



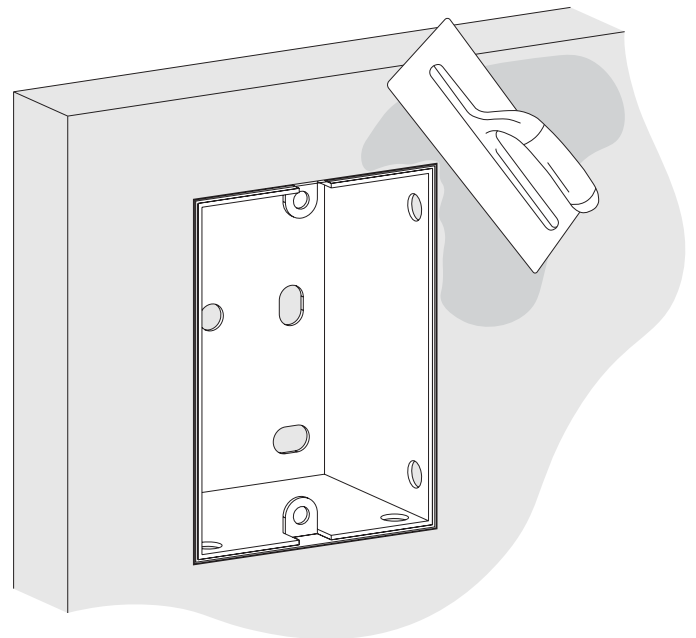
Slimline Fitting Instructions

Isolate the power supply at the consumer unit circuit breaker. Verify that the power is off. These products must be installed in accordance with the latest building regulations. If in any doubt, please contact a qualified electrician.



Custom Back Box

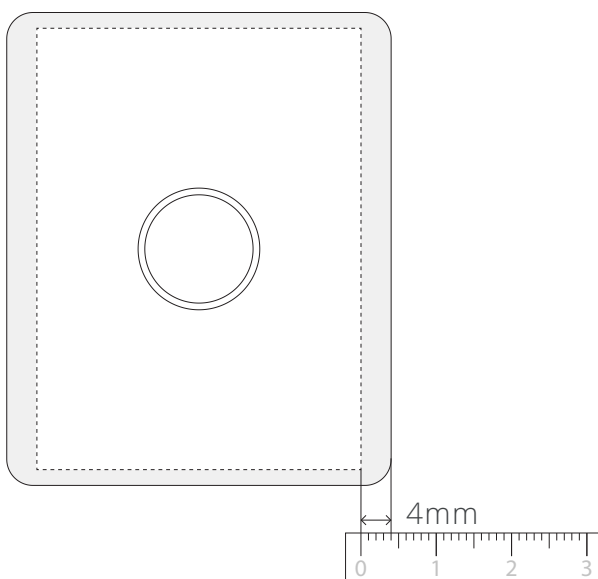
The Slimline range has a very small distance between the edge of the backbox and the edge of the front plate. Extra care must be taken when cutting the hole for the back box.



Finishing the Wall

Walls will need to be refinished after installing the Slimline back box.

Digital dimmers are not compatible with the Slimline range.



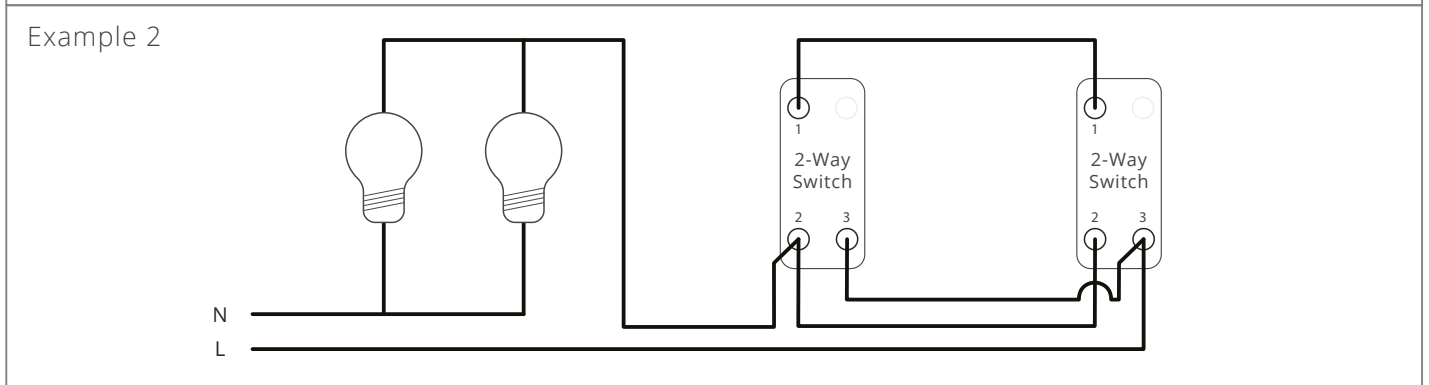
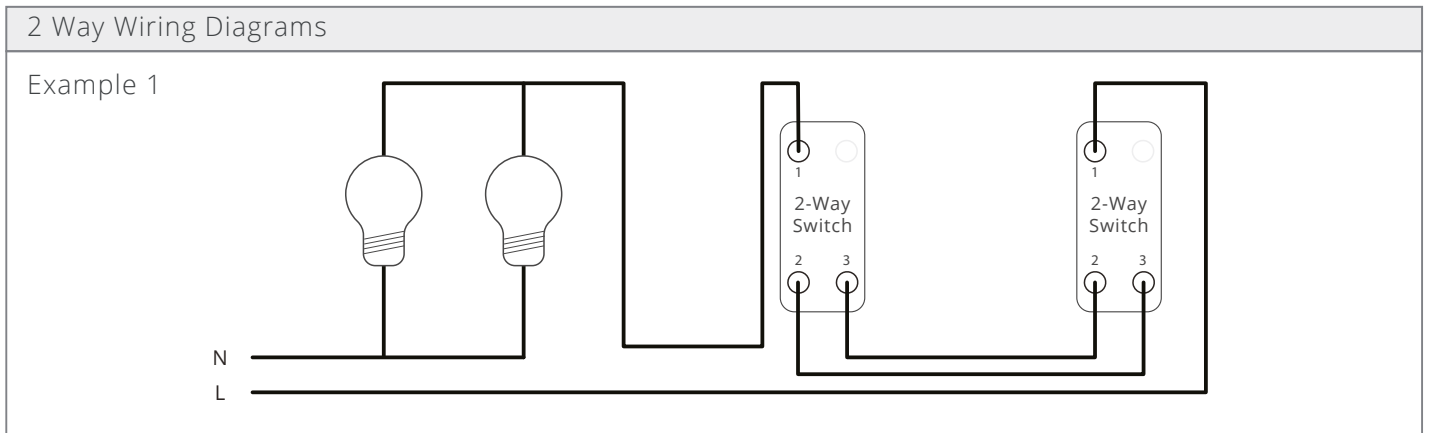
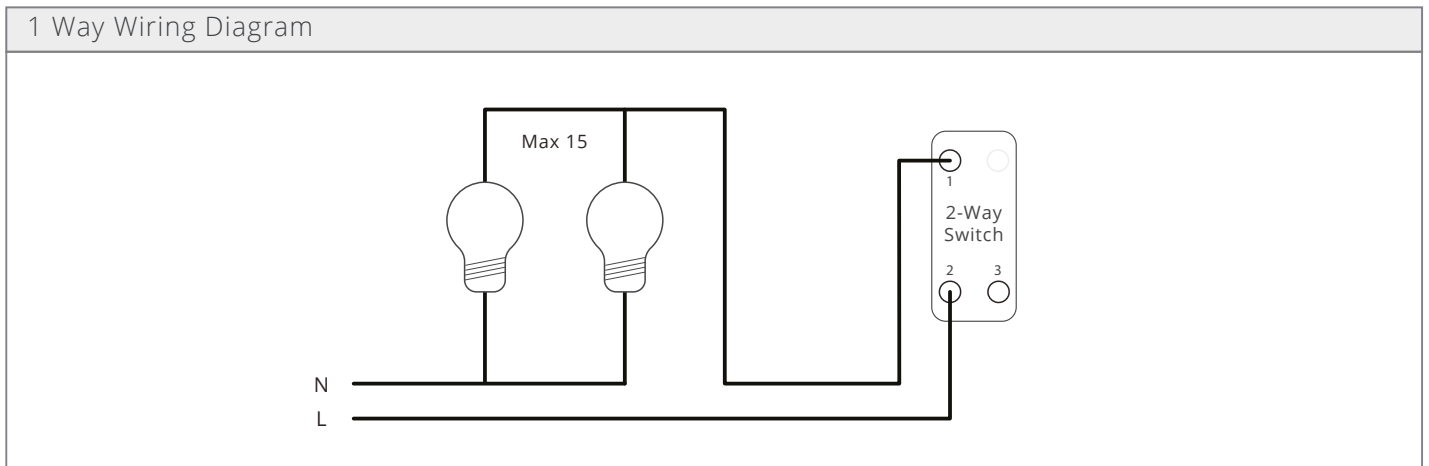
Professional Installation

We recommend that you use a qualified plasterer to fit the back box due to the small distance between the edge of the back box and the edge of the front plate.

Wiring Diagrams

Isolate the power supply at the consumer unit circuit breaker. Verify that the power is off. These products must be installed in accordance with the latest building regulations. If in any doubt, please contact a qualified electrician.

Connect the wiring as shown in the diagrams below for each type of installation. When finished, there should be no exposed wire. The connections should be secure and tight. Earth sheathing should be used on any exposed earth wire. The switch assembly should push back into the mounting box without forcing or trapping any wires.

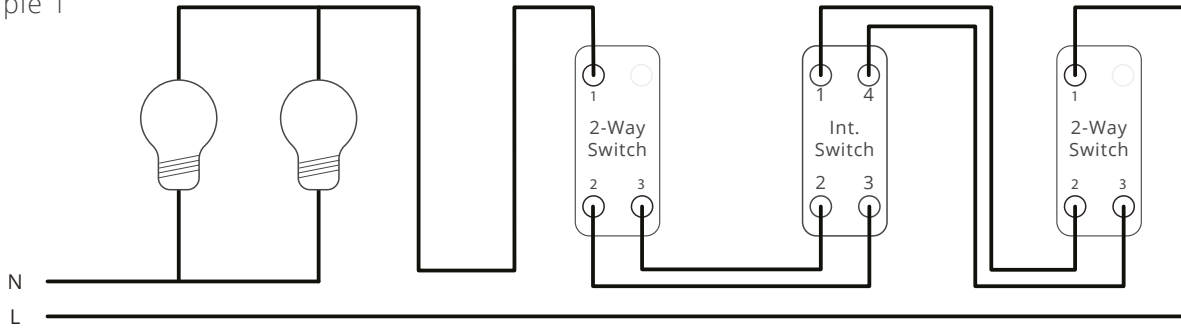


Wiring Diagrams

Isolate the power supply at the consumer unit circuit breaker. Verify that the power is off. These products must be installed in accordance with the latest building regulations. If in any doubt, please contact a qualified electrician.

3 Way Wiring Diagrams

Example 1



Example 2

