

Shelf Bracket Installation Instructions

1.

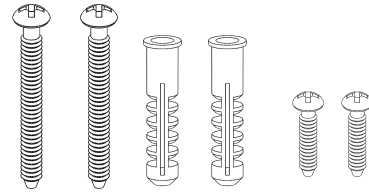
Supplied Fixings

2 x Wall screws

2 x Plastic wall fixings (solid wall)

1 x Shelf Bracket

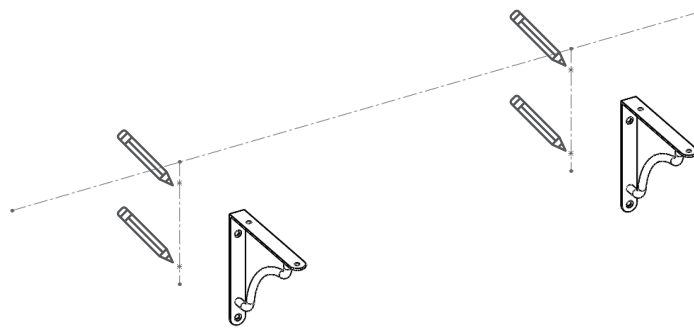
2 x 18mm Screws



Fitting

Choose a suitable shelf to be used with the Corston shelf brackets, and work out how many brackets would be required and their spacing.

Mark on the wall the shelf position, with spirit level & horizontal mark. Then mark the vertical shelf bracket positions with hole markings with a pencil.



Plastic wall fixings are supplied, which are suitable for solid brick or concrete walls. If you have another wall type, use specialist fixings. Drill an 8mm hole. Attach the brackets with the long screws provided. When tightening the screws, use a long screwdriver that does not touch the bracket causing any damage.

Check that the shelf brackets are securely fixed. If using a timber shelf, the small screws can be used to secure the shelf. If using a stone shelf, it is recommended to use some strong adhesive double sided glazing tape or a similar contact adhesive.

Care Instructions

Use mild detergent and a damp cloth to maintain the hardware, avoiding chemical cleaners

All finishes will age and develop over time.

Touching the hardware with another metal or hard object is likely to scratch and/or damage it.

If brass chemical cleaner is used it will remove the protective lacquer. Only do this if an aged brass patina is desired.

Contact

If you have any questions or queries, contact the Corston team who would be happy to help.

CORSTON
ARCHITECTURAL DETAIL

corston.com/support
hi@corston.com
01249 549332