

Baylis Single Spotlight Datasheet



35mm - Anitque Brass
Code - 15026



35mm - Bronze
Code - 19305



35mm - Polished Nickel
Code - 14666



35mm - Unlacquered Brass
Code - 14876



50mm - Anitque Brass
Code - 18975



50mm - Bronze
Code - 13449



50mm - Polished Nickel
Code - 10625



50mm - Unlacquered Brass
Code - 12799

Location	Interior
Class	Class 1
IP Rating	-
Bathroom Zone	Zone 3
Driver Required	No
Cut out Hole	20mm
Recess Depth	50mm
Fire Rating	No
Cable Length	200mm

Light Source	GU10
Max Wattage	35W
Lamp Included	No
Adjustable Tilt Angle	180

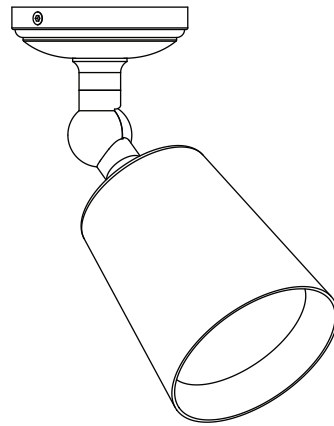
Switched	No
Dimmable	Bulb Dependant
Rated Voltage	220-240V
Rated Frequency	50 /60Hz



Baylis Single Spotlight Instructions

Before installation the power supply should be isolated at the consumer unit circuit breaker. Verify that the power is off.

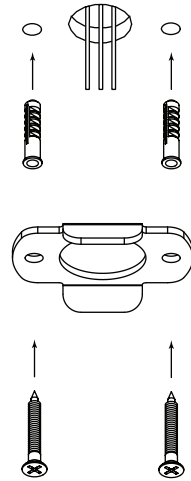
The Baylis Single Spotlight must be installed in accordance with the latest building regulations. Contact a qualified electrician if in any doubt.



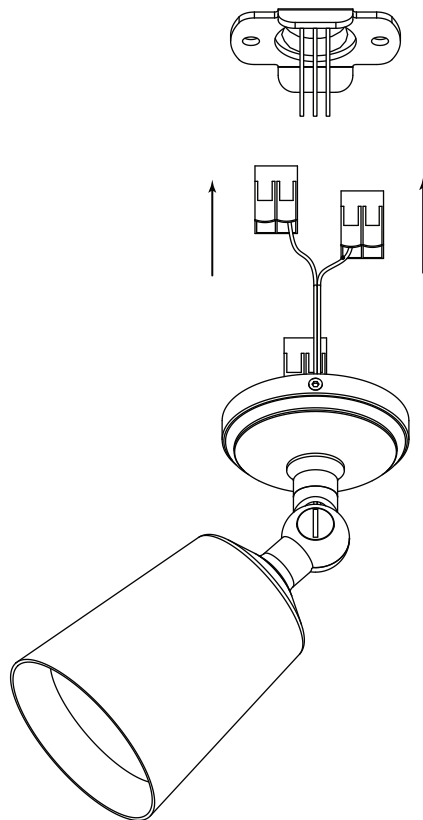
Installation

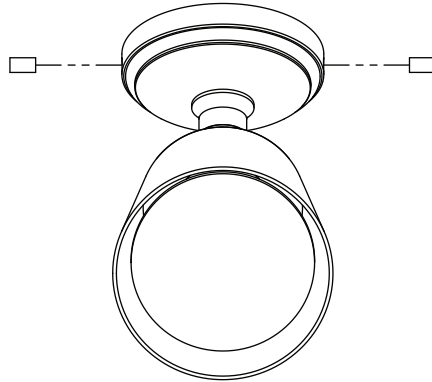
The Baylis Single Spotlight is designed to be fitted into a ceiling or a wall with a void. A 20mm hole saw is required for the wires and connectors. Drill the 20mm hole for the wires and the two 6mm holes for the plastic wall fixings (template for this can be found on Page 4) based around the location of the wire leaving the ceiling or wall. Push the Plastic wall fixings into the holes.

Use the two screws provided to attach the mounting plate to the ceiling or wall.

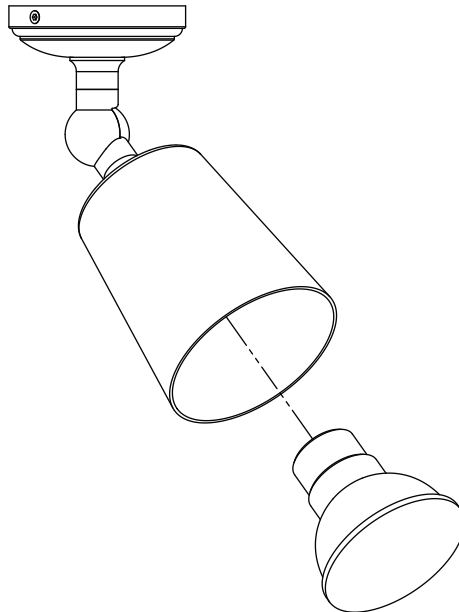


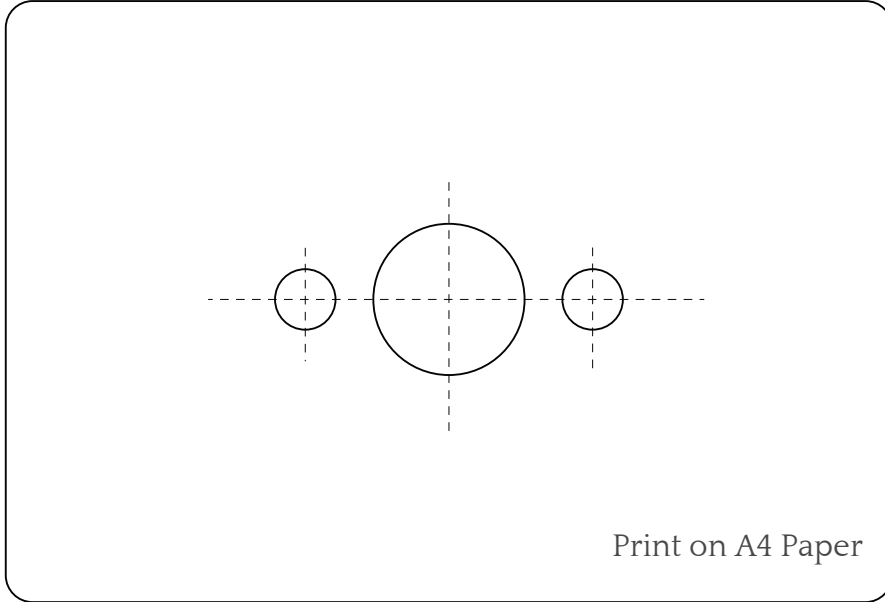
Using the Wago Connector provided, connect the Live (Brown), Neutral (Blue) and Earth wires. Tuck the wires and the Wago Connectors into the void and push the brass cap over the mounting plate until flush with the ceiling surface.





When flush, tighten the two grub screws until the spotlight is secure. Insert a 50mm GU10 bulb (Arthur or Chester) or 35mm Bulb (Court) into the shade and test light to ensure wiring is correct.





Baylis Double Spotlight Datasheet



35mm - Anitque Brass
Code - 11714



35mm - Bronze
Code - 17626



35mm - Polished Nickel
Code - 11739



35mm - Unlacquered Brass
Code - 11739



50mm - Anitque Brass
Code - 11595



50mm - Bronze
Code - 15307



50mm - Polished Nickel
Code - 10257



50mm - Unlacquered Brass
Code - 14188

Location	Interior
Class	Class 1
IP Rating	-
Bathroom Zone	Zone 3
Driver Required	No
Cut out Hole	10mm
Recess Depth	18mm
Fire Rating	No
Cable Length	200mm

Light Source	GU10
Max Wattage	35W x2
Lamp Included	No
Adjustable Tilt Angle	180

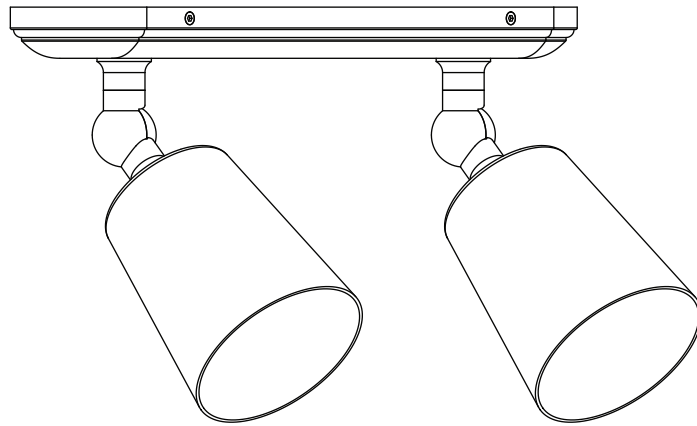
Switched	No
Dimmable	Bulb Dependant
Rated Voltage	220-240V
Rated Frequency	50 /60Hz



Baylis Double Spotlight Instructions

Before installation, the power supply should be isolated at the consumer unit circuit breaker. Verify that the power is off.

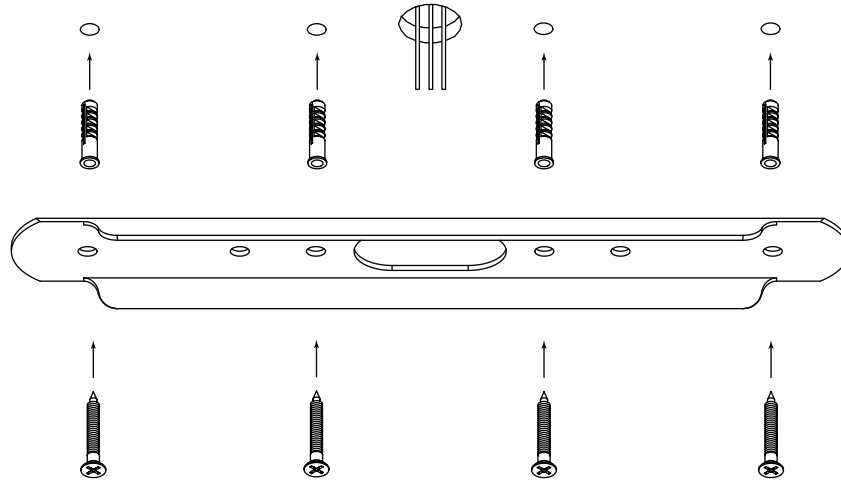
The Baylis Double Spotlight must be installed in accordance with the latest building regulations. Contact a qualified electrician if in any doubt.



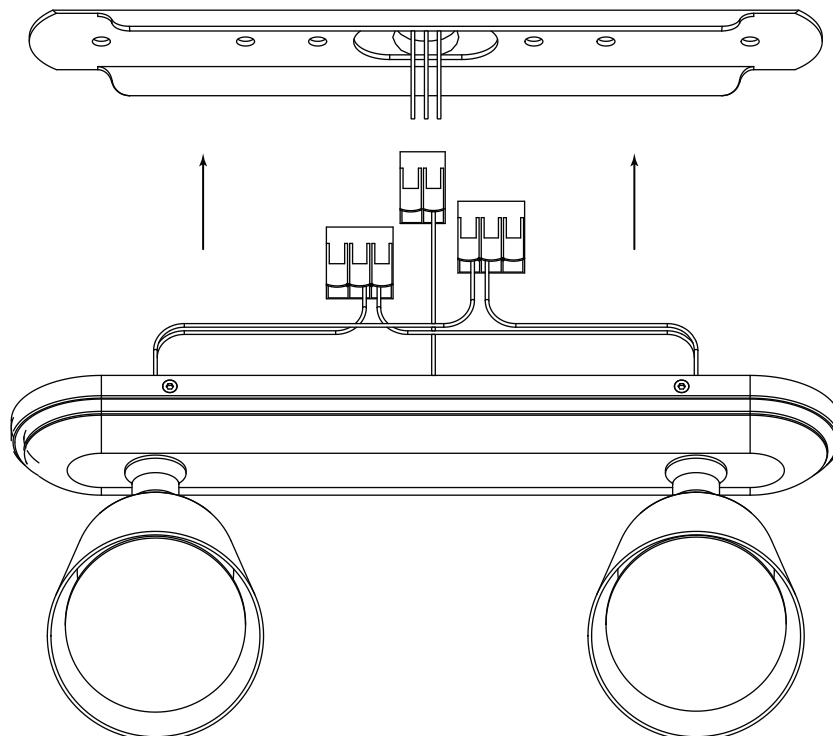
Installation

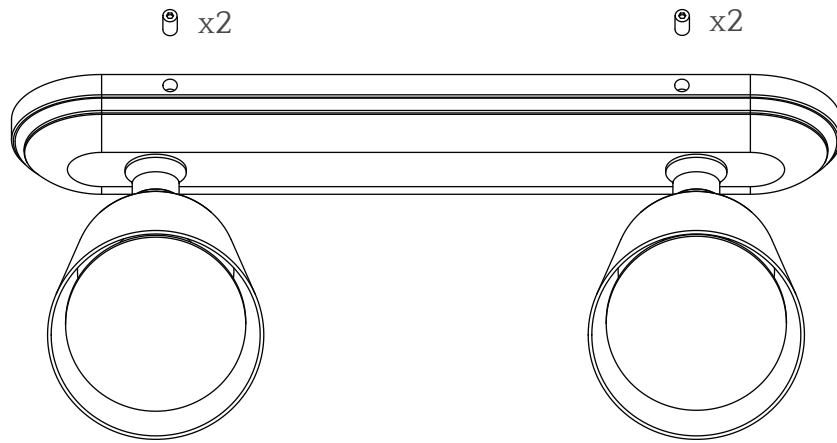
The Baylis Double Spotlight is designed to be fitted into a ceiling or a wall. Drill the four 6mm holes for the plastic wall fixings (template for this can be found on Page 4) based around the location of the wire leaving the ceiling or wall. Push the Plastic wall fixings into the holes.

Use the four screws provided to attach the mounting plate to the ceiling or wall.



Using the Wago Connector provided, connect the Live (Brown), Neutral (Blue) and Earth wires. Tuck the wires and the Wago Connectors into the brass cap and push over the mounting plate until flush with the ceiling surface.





When flush, tighten the four grub screws until the spotlight is secure. Insert a 50mm GU10 bulb (Arthur or Chester) or 35mm Bulb (Court) into the shade and test light to ensure wiring is correct.

