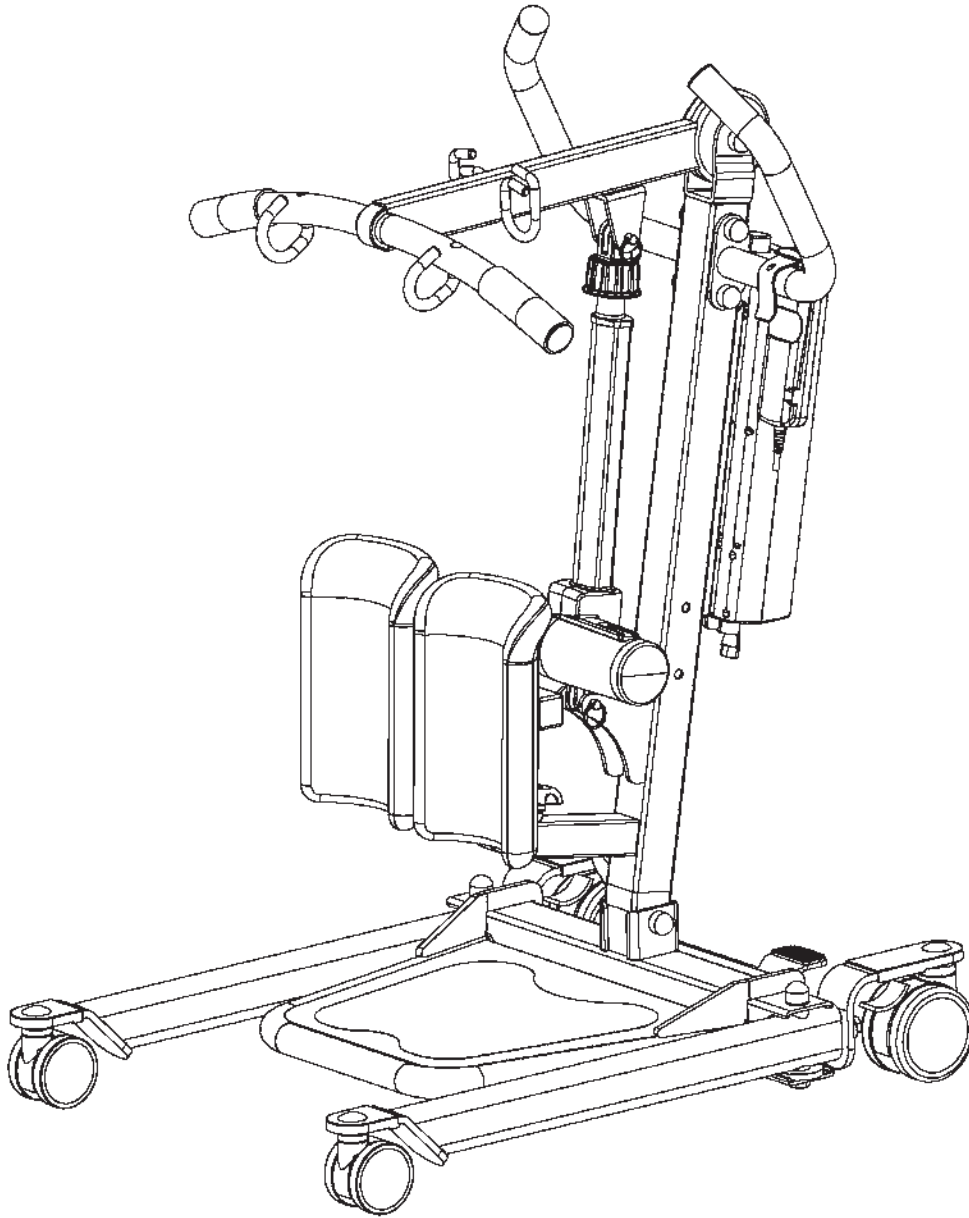




Model: DM-SA350/DM-SA350H



*DM-SA350 MODEL SHOWN

BEFORE USE:



Ensure the product has been assembled according to the instructions in this manual. All operators should read and understand the instructions for safe and proper operation of the patient lift.



This page was intentionally left blank.

Thank you for choosing Dansons!

To better serve you, please record the following information for future use:

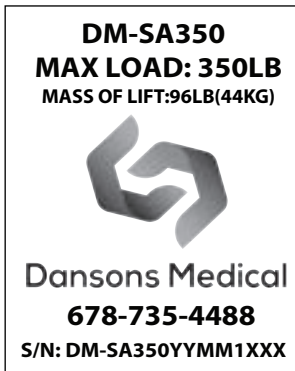
Supplier Name: _____

Supplier Telephone: _____

Product Serial Number: _____

Date of Purchase: _____

Date of Manufacture



The manufacturing date can be found on the serial number label that is located at the top of the mast. The YY in the serial number is the manufacture year, and the MM is the manufacture month.

Product Description

The Dansons SA350 allows the patient to be lifted and transferred safely with minimal physical effort provided by the operator. It uses an electric actuator to lift patients weighing up to 350lbs from a sitting to a standing position from either a bed or a chair for transferring. The lift has a standing platform for transferring patient from one utility to another, and has an adjustable cushioned knee pads for additional comfort and support while patients are being transferred. It has a compact base for maneuvering easily while still providing a wide lifting range. This lift is compatible with the stand assist sling and sani-sling with the option to add the knee and buttocks support straps.





















Intended Use

This lift is intended for patients who are lacking leg strength in their lower extremities but are still able to bear weight. It is used to assist with standing from a seated position while using the commode, changing clothes and/or to relieve pressure. A caregiver shall operate the lift to perform the transfer. Transfers are intended to be performed on a flat, dry surface and lifts are not to be used in high humidity environments for extended periods of time.

DEFINITIONS & SYMBOLS

In this manual the user refers to the patient or resident and may be used interchangeably at different times. Caregiver refers to the operator or person who is assisting with the transfer.

Symbols used in this manual and on the product and their meanings:

	Warning! Failure to heed this warning may result in damage to the product or serious injury to the operator and/or user.		Do Not Bleach. No bleach product may be used. The garment is not colorfast or structurally able to withstand any bleach.
	Important instructions follow. Read and understand the instructions in the manual before using the product.		Do Not Dryclean. Garment may not be commercially drycleaned.
	Type BF applied part. Refer to the part of the medical device which come into physical contact with the patient in order for the device to carry out its intended use.		Do Not Iron. Item may not be smoothed or finished with an iron.
	Class II symbol. To identify equipment is designed that a connection to electrical earth (ground) is not required.		Tumble Dry, Normal, Low Heat. A machine dryer may be regularly used at a maximum of Low Heat setting.
	Note! Important information concerning the product and/or its correct and proper usage follows.		Do Not Dry. A machine dryer may not be used.
	Advise the operator to consult the accompanying documents before use.		Machine Wash, Hot. Initial water temperature should not exceed 82°C or 180°F.
	Right side up		Do Not Wash
	Fragile, handle with care.		Keep dry
	Carton storage temperature limit of -25°C to 70°C.		Carton storage humidity limit of 0% to 90%.
	European Conformity mark, the product conforms to European Medical Directive 93/42/EEC and meets applicable health, safety and environmental requirements.		Handle with care



Safety Instructions

This lift will provide years of service if it is properly maintained as any electric and/or mechanical equipment requires. Please pay careful attention to the following important information regarding the care, maintenance, and operation of the patient lift. Carefully read these instructions before assembling the lift, or attempting to lift a user with the device.

- Before attempting to lift any patient, please practice operating the lift and explain the lift procedures to the patient.
- Please provide special assistance under the caretakers' discretion. (i.e. patients who are comatose, spastic, agitated, or otherwise severely handicapped.)
- The patient lift should be used solely for transferring a user/patient from one utility (beds, chairs, toilets, etc.) to another. The patient lift should not be used for transporting or moving any patient from one location to another location.
- During lifting or lowering, whenever possible, always keep the base of the lift in the widest position.
- The base of the lift should be closed before moving the lift.
- Do not roll casters over any object while the user/patient is in the sling.
- Do not lock casters during lifting.
- While being lifted in a sling, always keep the user/patient centered over the base and facing the caregiver operating the lifter.
- Never leave the user/patient unattended during lifting.



WARNING!

- No modification of this equipment is allowed. It is unsafe to modify the equipment from its original state. This product is deemed safe to use with only the original parts as delivered. Unauthorized use of any modified equipment may result in serious injury or death.
- Do not replace any components of the lift without consulting with your dealer, and follow proper instruction from the dealer when replacing any components.
- Do not service any parts of the lift while in use with a patient.
- It is not safe to load the equipment more than the indicated maximum safe working load.
- **If** any accessories with lower load capacity than the equipment itself is used, Do not load the equipment more than the lowest maximum safe working load.
- Periodically charge the battery to extend its life which will prevent the battery from depleting completely.
- Using accessories, detachable parts, or materials not described in the instruction manual may result in serious injuries.
- Keep the equipment away from children and pets when in use. It may cause result in serious injuries or death.
- Keep the equipment away from pests or pest infested area. Diseases transferred from pests to the equipment may cause serious illness to patients upon contact.
- If the lift is exposed to the sun for long periods of time, be cautious as the surface of the lift may be hot.
- The controller contains parts and assemblies that could be susceptible to damage by electrostatic discharge (ESD). To reduce the likelihood of this, one should be grounded prior to using the controller.
- Do not use the lift on an inclined surface that is greater than 5°.
- A black plastic bolt cap (if applicable) may be a choking hazard. If the caps does not stay on the bolt, replace it immediately.



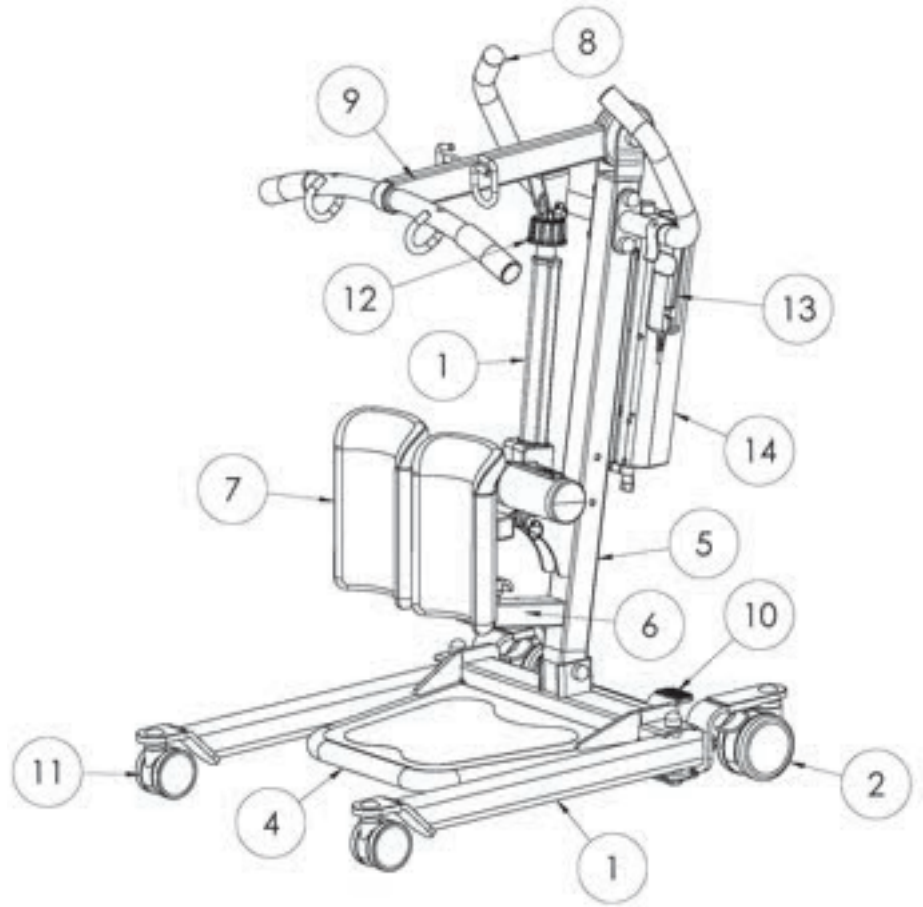
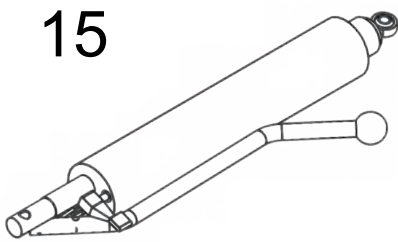
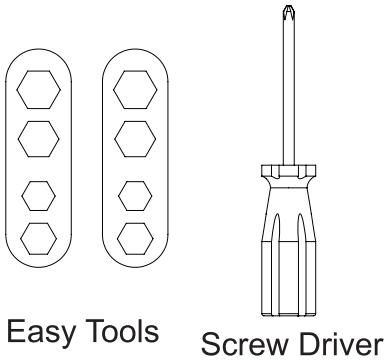
INFORMATION

- There are no risk if the lift is exposed to reasonably foreseeable environmental conditions.
- This equipment does not consist of any materials or ingredients to which patients are exposed, that may cause bodily harm or injury.
- Prolonged exposure or physical contact with any part of the equipment will not cause skin irritation, allergic reaction, etc.

FEATURES & OVERVIEW



- Prior to assembly, unpack and inspect all parts from the shipping carton. Contact us immediately if any parts are damaged or missing.
- Easy tools are provided to assist with initial set up. To ensure maximum safety, product should not be put into use until all connections are tightened using standard tools.

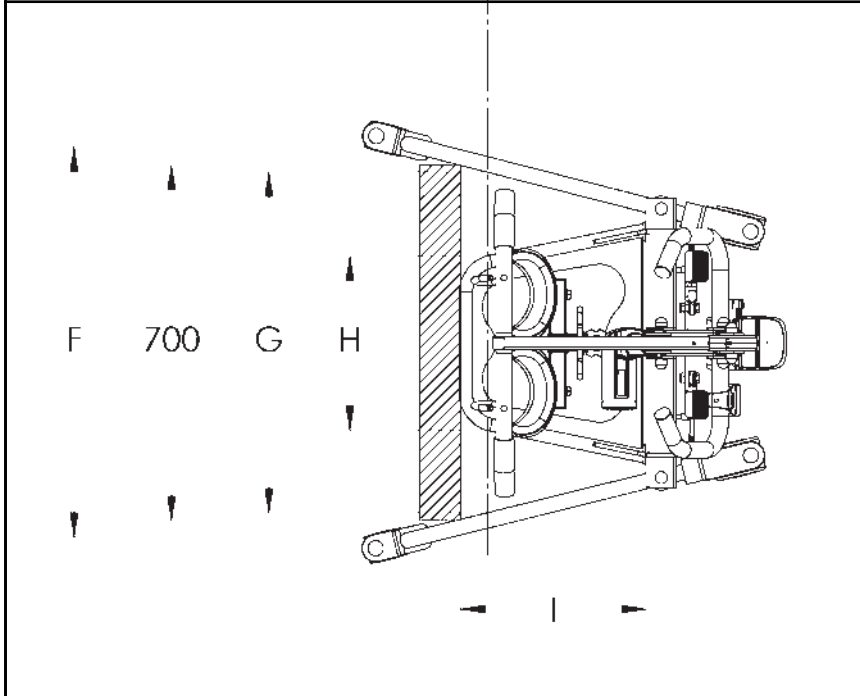
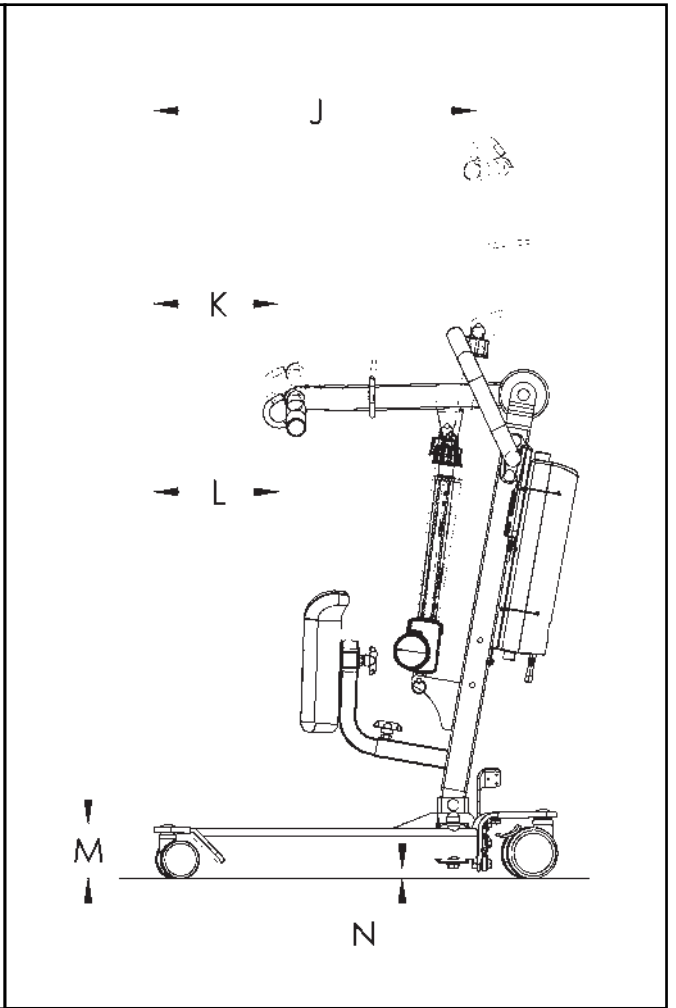
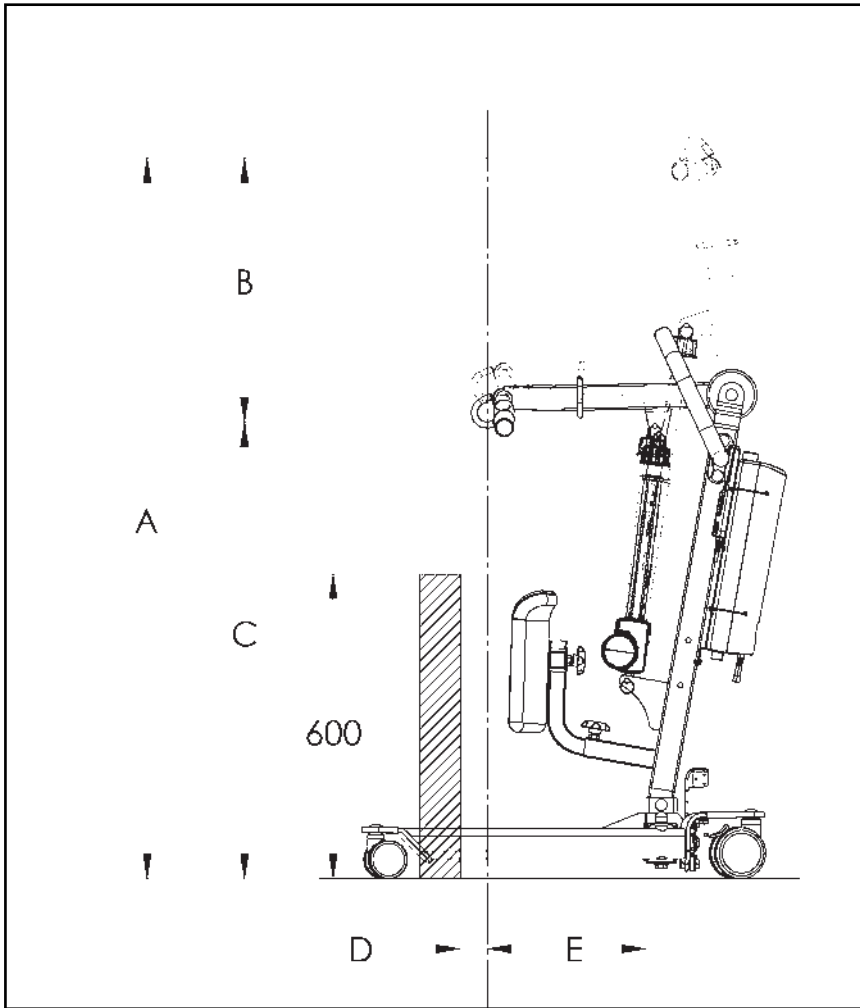


Class II Equipment

*DM-SA350 MODEL SHOWN

1	**Base	30.40 lb (13.8 kg)	7	Knee Pad Frame	4.80 lb (2.2 kg)	12	Emergency lowering
2	Rear Caster		8	Handle	4.20 lb (1.9 kg)	13	Hand Control
3	Front Caster		9	Boom	7.80 lb (3.5 kg)	14	Control Box
4	Footplate	15.00 lb (6.8 kg)	10	Leg Opening Pedal		15	Hydraulic Pump (For SA160H Model Only)
5	Mast	8.60 lb (3.9 kg)	11	Actuator (For SA160 Model ONLY)	10.00 lb (4.5 kg)		Charger
6	Knee Pad	2.80 lb (1.3 kg)					

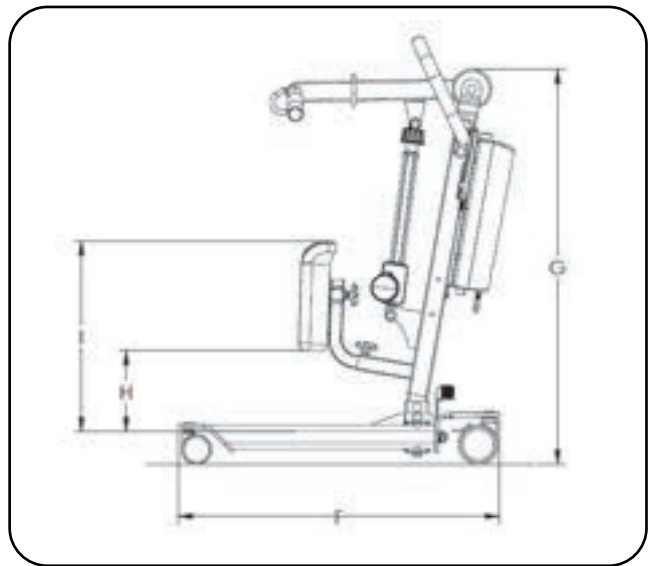
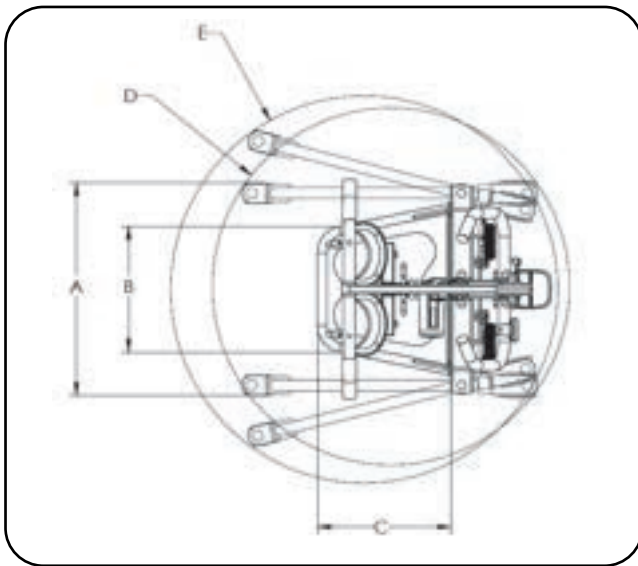
** Heaviest detachable part



	DM-SA350 mm (in)	DM-SA350H mm (in)
A	1420.0 (55.9)	1420.0 (55.9)
B	520.2 (20.6)	520.2 (20.6)
C	900.0 (35.3)	900.0 (35.3)
D	52.3 (2.4)	52.3 (2.4)
E	313.6 (12.1)	313.6 (12.1)
F	768.3 (30.1)	768.3 (30.1)
G	671.7 (26.2)	671.7 (26.2)
H	344.2 (13.8)	344.2 (13.8)
I	377.0 (14.8)	377.0 (14.8)
J	635.7 (25.1)	635.7 (25.1)
K	243.9 (9.7)	243.9 (9.7)
L	246.9 (9.7)	246.9 (9.7)
M	106.6 (4.2)	106.6 (4.2)
N	19.8 (0.8)	19.8 (0.8)

SPECIFICATIONS & OPTIONS

Specifications of Control Unit	
Input Voltage	220-240VAC 50Hz / 110-120VAC 60Hz
Output Voltage	24 VDC
Battery Pack	24 VDC 2.9AH
Lift Control	Handset and Panel
Protection Class	IP54 (Protection against dust and splash of water)
Sound Level Under Full Load	16db
Sound Level Under No Load	11db
Cycles Per Charge	15 full cycles under full load
Over-Duty Warning	by LCD
Battery Status	by LCD
Duty Cycle	10% Duty cycle (Max 2 minute ON, 18 minute OFF)



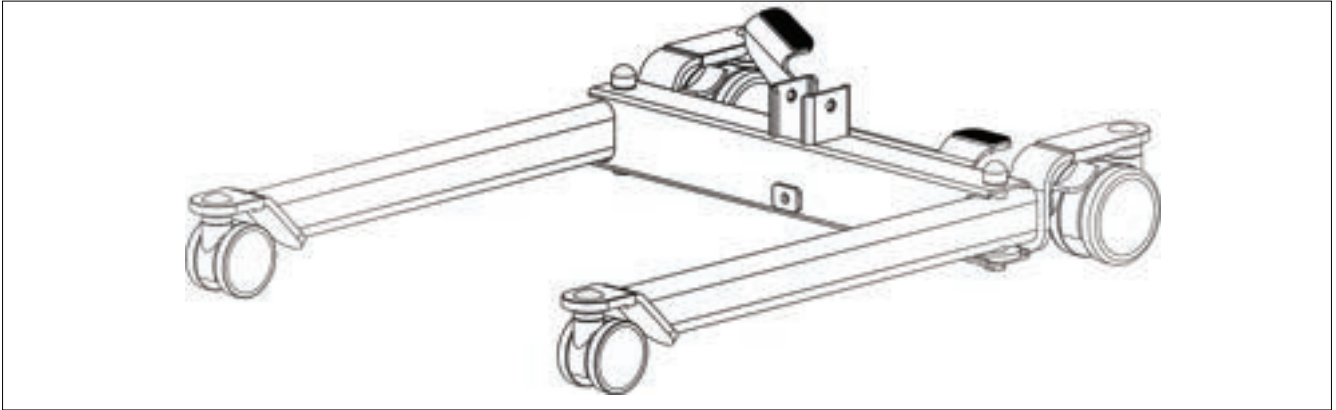
Dimensions & Specifications			
Model		DM-SA350	DM-SA350H
Safe Working Load		350 lb	350 lb
Unloaded Lift Weight		96 lb	96 lb
A	Base Ext. Width - Closed	23.1"	23.1"
B	Footplate Width	13.7"	13.7"
C	Footplate Length	14.5"	14.5"
D	Turning Diameter, Closed	38.8"	38.8"
E	Turning Diameter, Open	42.1"	42.1"
F	Base Length	32.1"	32.1"
G	Mast Height	39.5"	39.5"
H	Knee Pad Bottom	8.1"	8.1"
I	Knee Pad Top	19.1"	19.1"

Standard Features	
1	4-Points Boom
2	4" Rear Plastic Caster with Brake
3	3" Dual Front Plastic Caster
4	Power Control Unit
5	Two Piece Knee Pads
6	Detachable Handle
Optional Features	
1	Upgrade Kit to Power Control System (For SA350H ONLY)

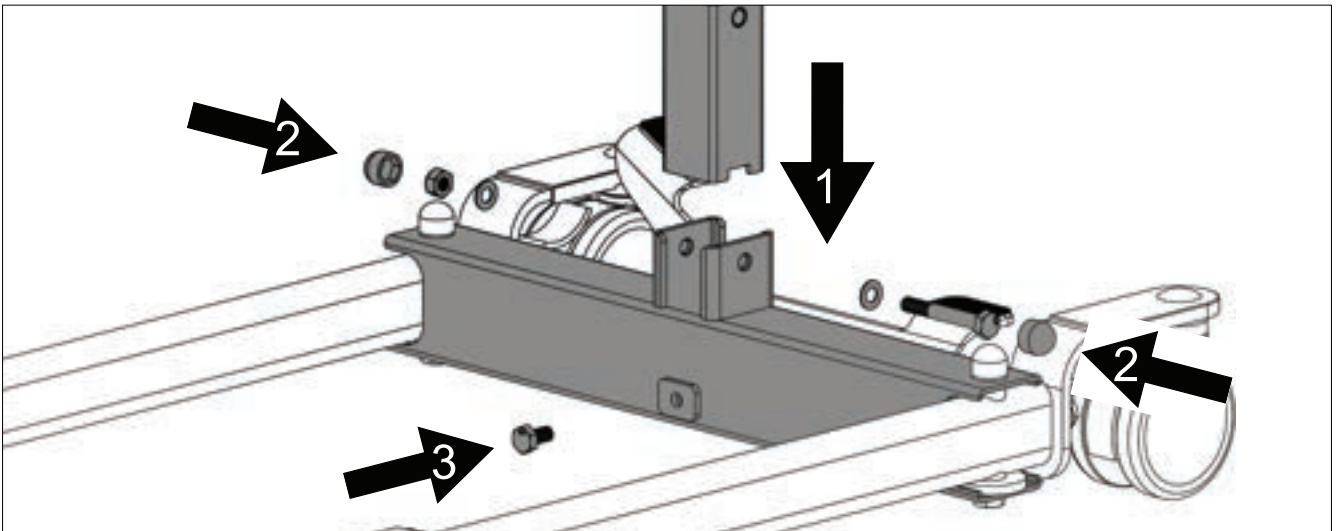
We are committed to continuous improvements of our products therefore the specs, dimensions, and features listed above are for guidance only and subject to change without prior notice.

Installation

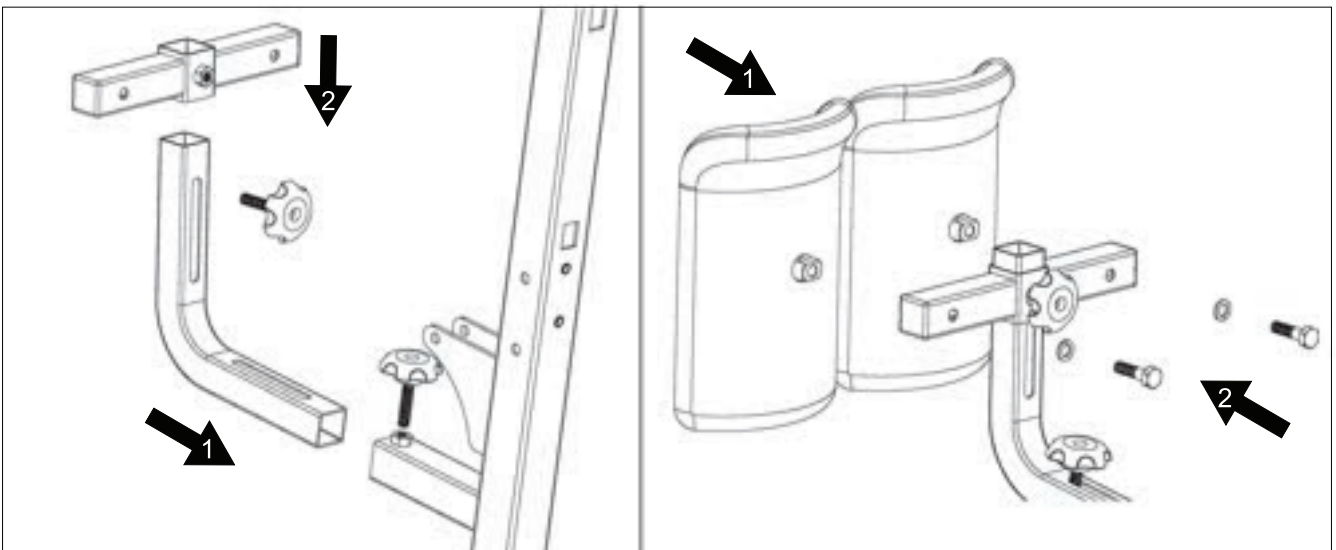
Step 1: Remove the base out of the box and place it on the floor.



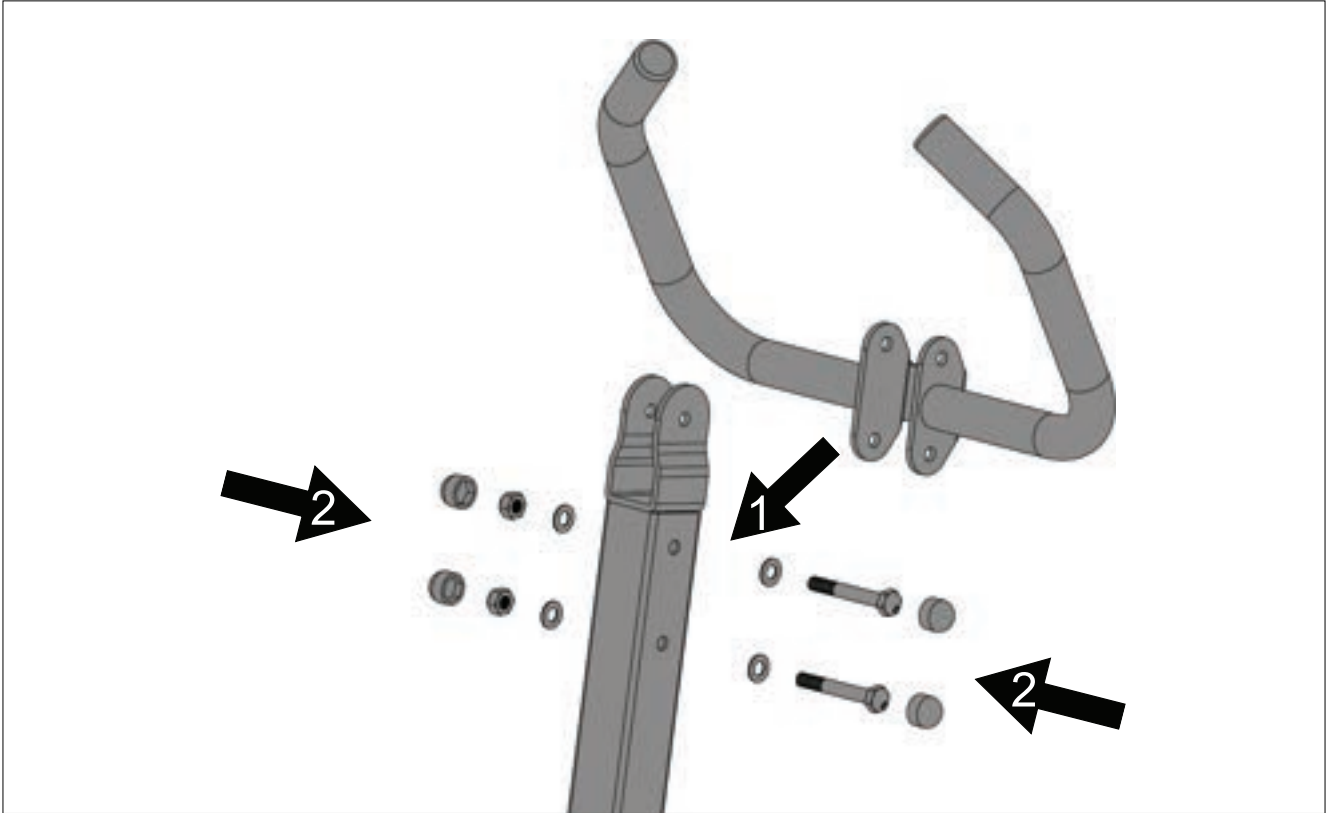
Step 2: Insert the mast to the base and secure it using the bolt, washers and locknut. Then tighten the screw in front of the base.



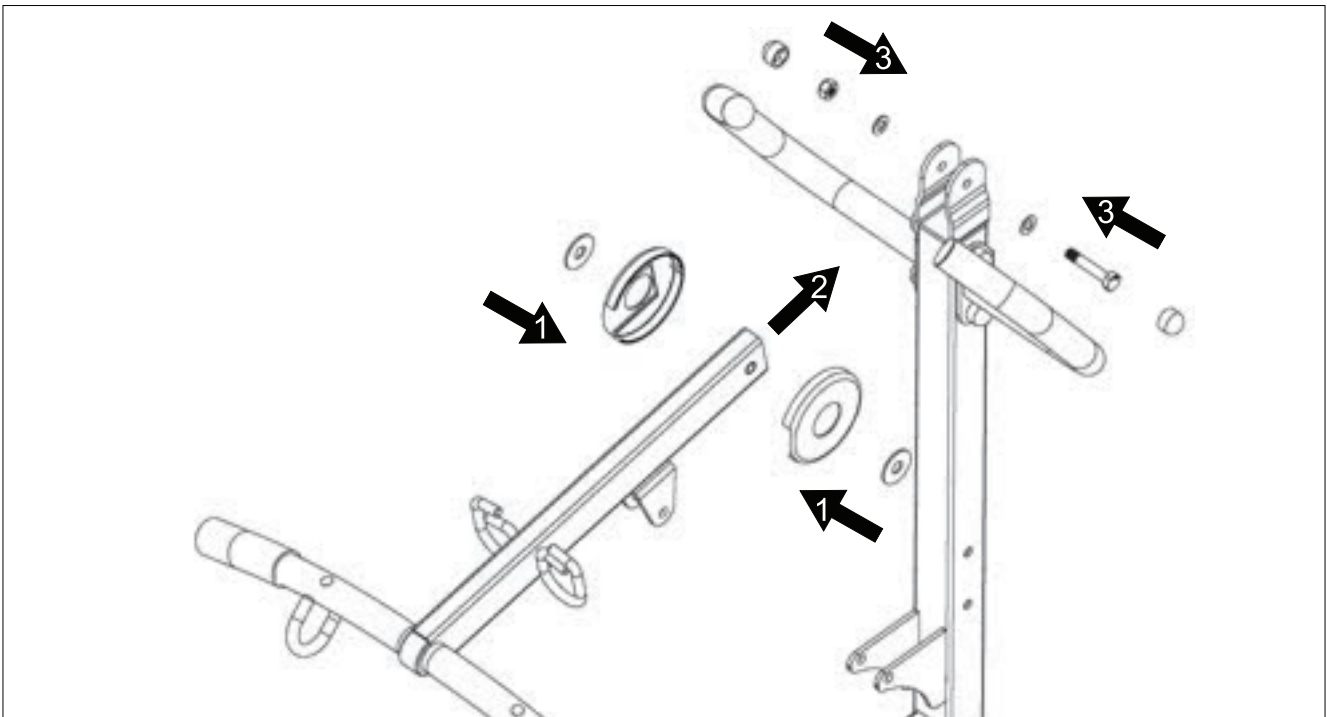
Step 3: Insert the knee pad frame to the mast and secure it using the knob bolt. Then install the knee pad holder to the knee pad frame, and secure it using the knob bolt. Install the knee pads to the knee pad holder as shown.



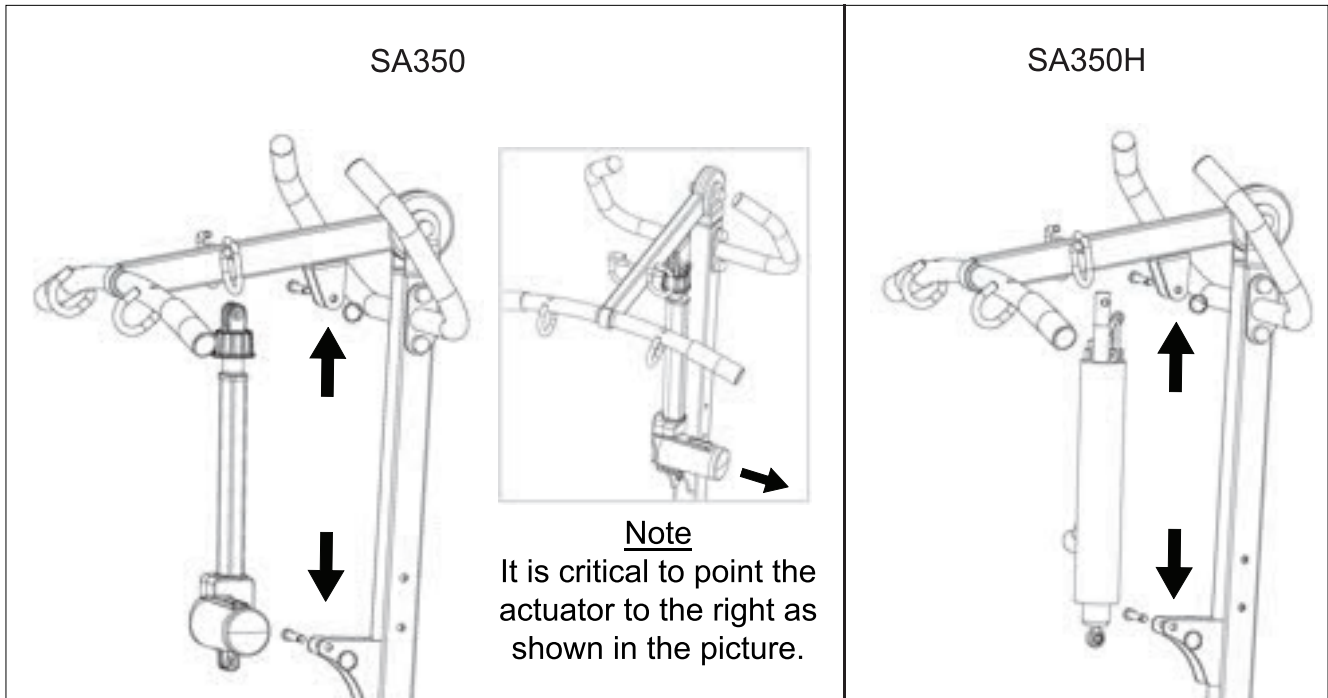
Step 4: Install the handle bar to the mast as shown.



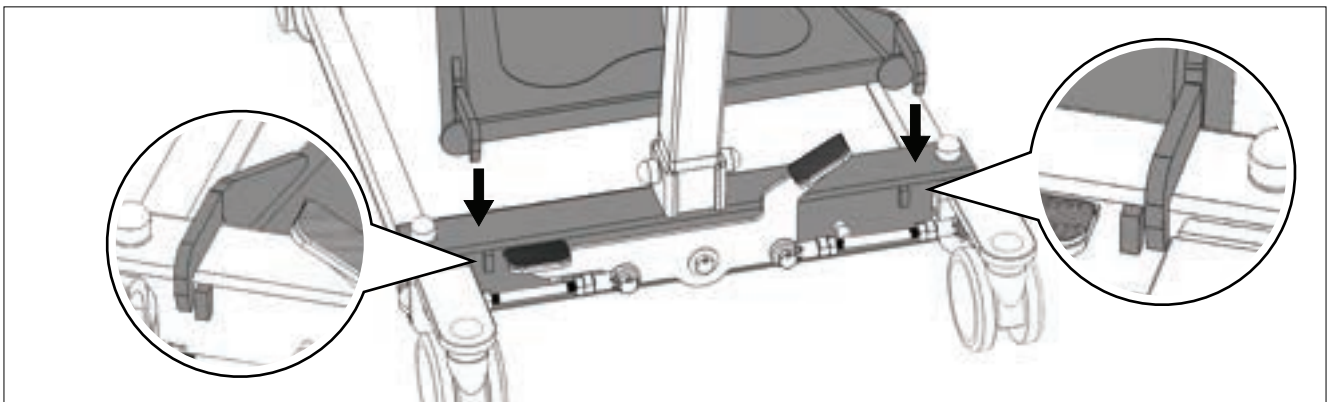
Step 5: Place the plastic joint cover and plastic washer to the boom at the mounting hole. Then insert the boom to the mast, and secure it using the bolt, washers and lock nut.



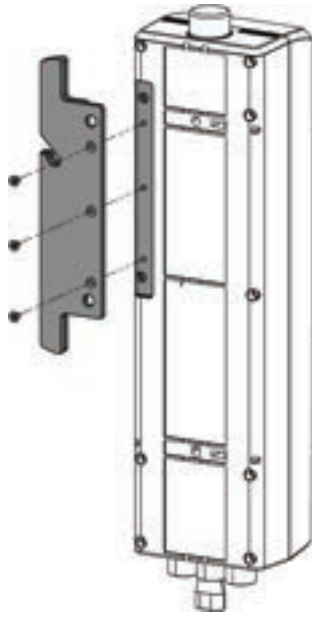
Step 6: Secure the lower end of the actuator (or hydraulic pump) to the mast bracket using a pin and retaining ring as shown, and then secure the upper end of the actuator to the boom bracket using a pin and retaining ring as shown.



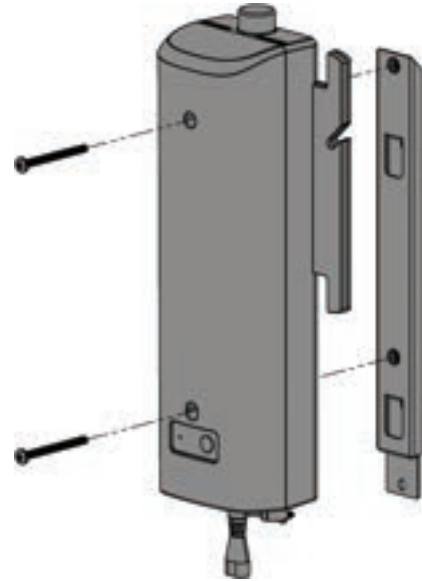
Step 7: Attach the footplate to the base using the two hooks by lowering it onto the top surface of the base. Make sure the hooks are sitting next to the small block protruding at the back of the base.



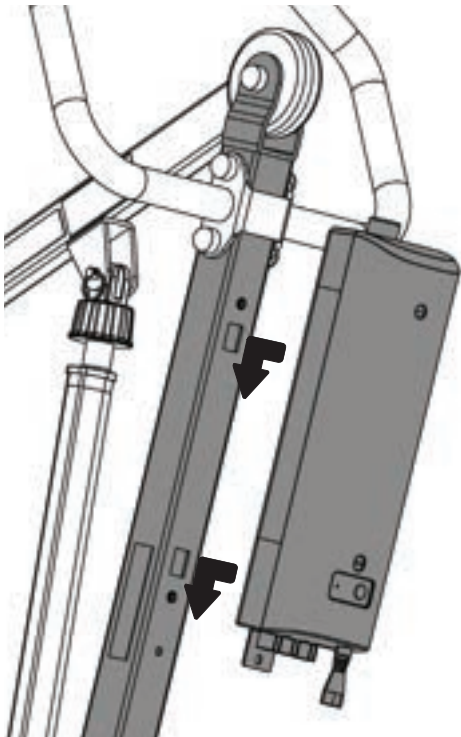
Power Control Unit:



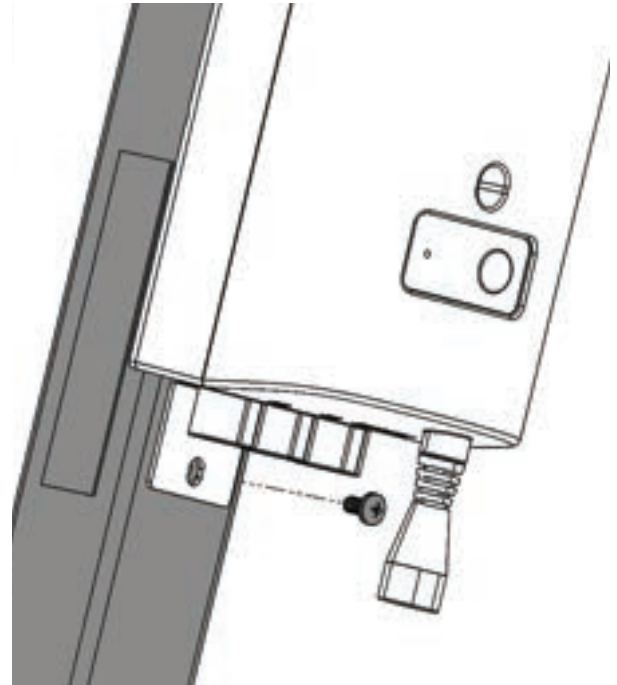
Step 1: Install the cable organizer to the back side of the control box, and secure it using three screws as shown.



Step 2: Install the bracket to the control box as following. The tab part of the bracket should be facing down.

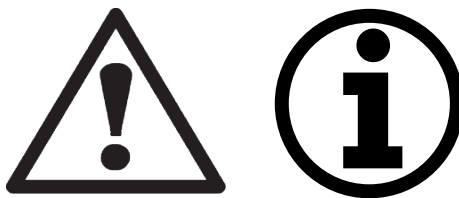


Step 3: Align and insert the hook on the bracket to the square holes on the mast, and push down to hook the control box to the mast.



Step 4: When the control box is properly hooked on to the mast properly, the holes on the tab should be aligned with the hole on the mast. Secure the control box to the mast using a screw as shown.

Operating Instructions



Double check all assemblies for tightness and read operating instructions carefully prior to use.

For optimum performance the lift should be transported and stored in following condition range:

- -25°C to +5°C (-13°F to 41°F), and
- +5°C to +35°C (41°F to 95°F) at a non-condensing relative humidity 0% to 90%
- +35°C to +70°C at a water vapor pressure up to 5 kPa

For optimum performance the lift should be operated in following condition range:

- at a temperature range of +5°C to +40°C (+41°F to +104°F)
- at a non-condensing relative humidity range of 15 % to 90 %, but not requiring a water vapor partial pressure greater than 5 kPa
- 70 kPa to 106 kPa atmospheric pressure

The lift will not have any potential electromagnetic or other interference with other devices.



PREPARATION BEFORE LIFTING

- Twist the RED EMERGENCY STOP BUTTON clockwise.
- Verify the Lifting and Lowering Functions by pressing either the UP or DOWN button on the hand control once.
- Position the base of the lift around or under the object.
- Widen the base and disengage the caster brakes.



Do not attempt to transfer a patient without prior approval of the person's nurse. Also, do not transfer without having studied the instructions and performed several practices in operating the product. Together (with the patients doctor, nurse, or medical attendant) select a sling that is both practical and comfortable. The sling selected should be one that serves the needs of the patient, while providing the patient with optimal safety. Never interfere with the lift, unless instructed by the attendant. Have a doctor, nurse, or medical attendant (experienced in the use of this equipment) present during the first few times the lift is used to transfer a new user.

Stand Assist Hydraulic Pump Unit Operating Instruction



To raise the boom:

- Turn the release tab counter-clockwise until it stops.

- Use the handlebar to pump the piston.

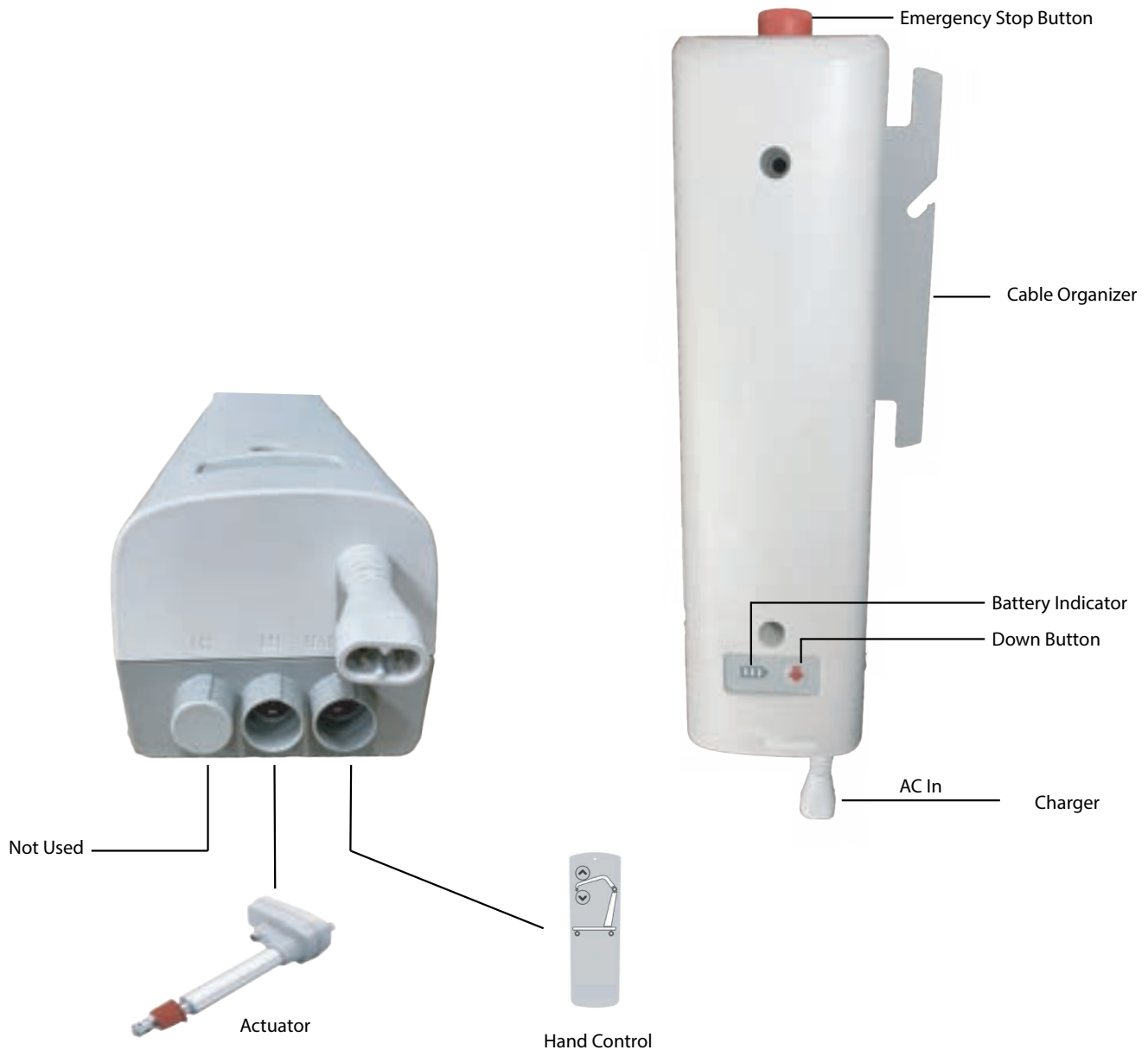
To lower the boom:

- Slowly turn the release tab clockwise, stop once the boom is slowly lowering.

⚠ The release tab controls the speed of the piston as it's lowering! This may cause serious injuries if the boom is lowered too fast!

- Turn the release tab counter-clockwise to stop the lowering.

Control Box Overview



1. Connect Actuator as shown above.
2. Connect Hand Control as shown above.
3. The battery should be charged daily to prolong the battery life.

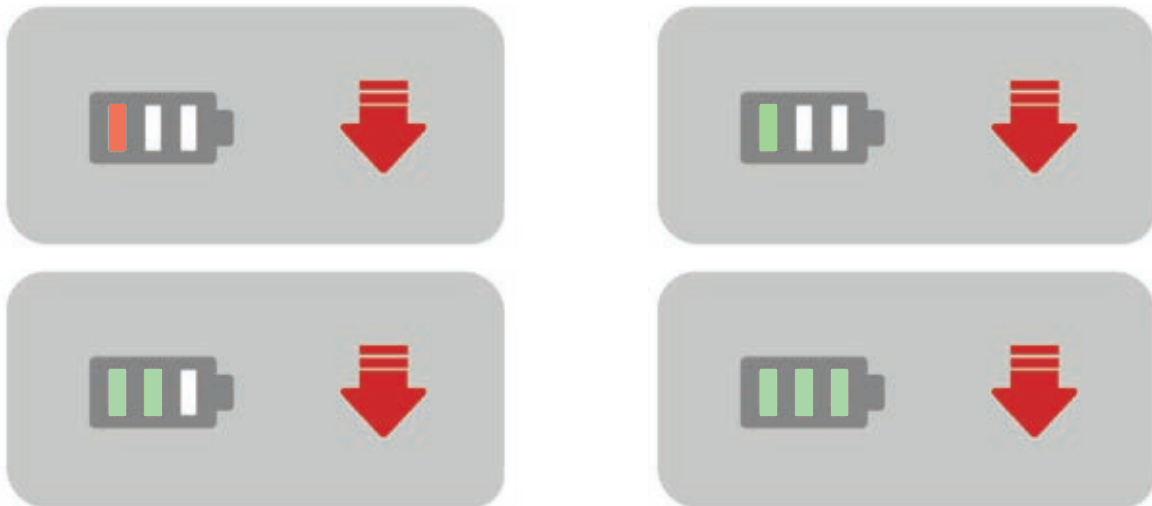
WARNING!

- Contains a long charger cord that may cause strangulation if used improperly.
- Keep long charger cord out of walkway where it poses a tripping hazard.
- When removing the control box, make sure to support it with both hands as it can cause injury if dropped.



Battery Indicator Display Signs

When the emergency stop button is released, after two seconds, the battery indicator will show the battery level and beep two times. The lift is ready for use.



Charging: AC Charging Cord

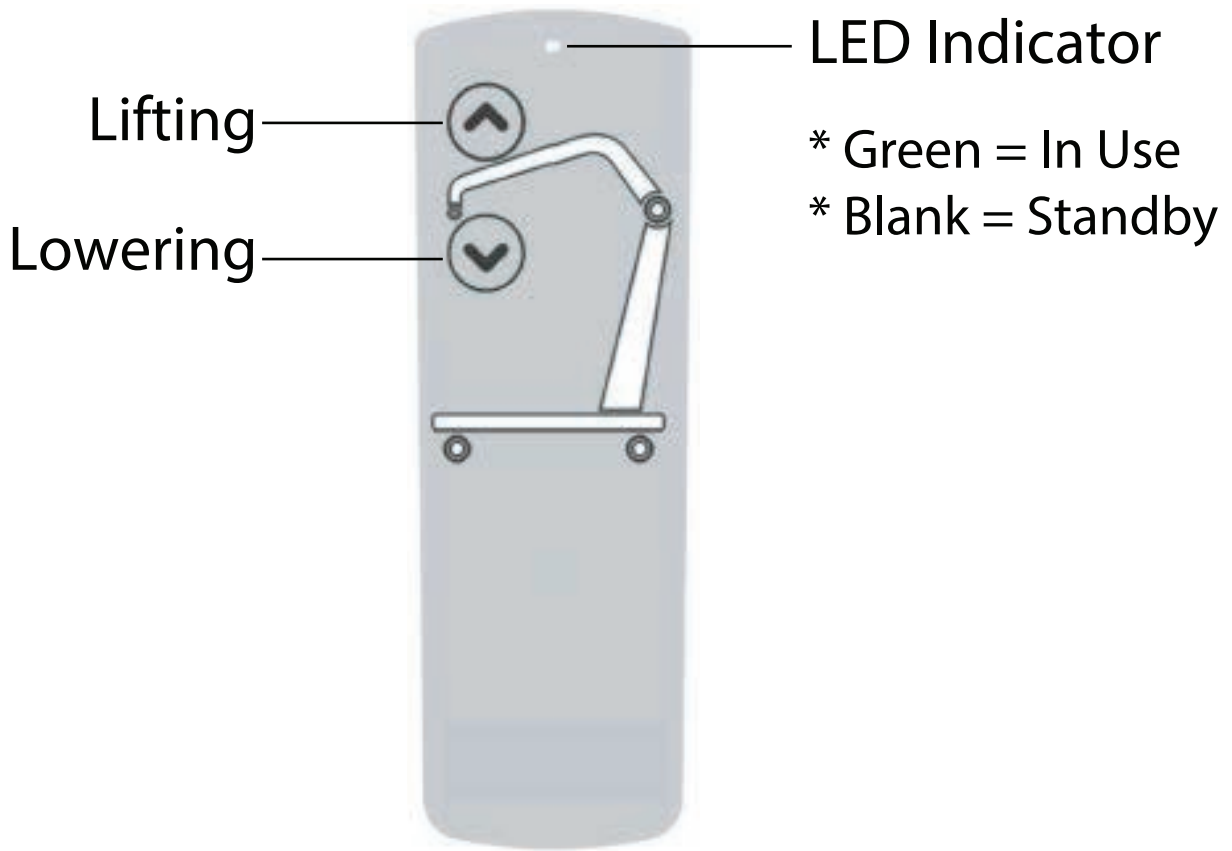


Battery Indicator Signs - Charging

Plug in the AC charging cord to the control box to charge, and the continuous blinking battery indicator of the current battery level is indicating the battery is being charged

- The emergency stop button must be released.
- The battery will not be charged if the emergency button is pressed in.
- After it is done charging, unplug the charger from the wall outlet and wrap the cord around the cable organizer for easy storage.

Operating Lift: Using Hand Control

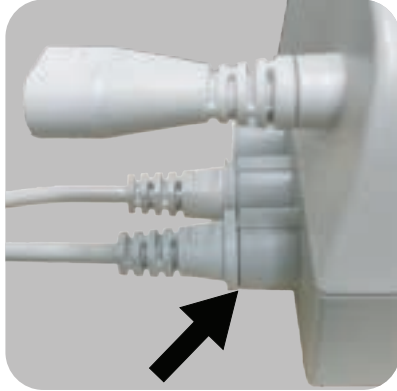


Operating Lift: Using Control Box

- The red button must be in released position to operate lift.
- Press in the red button to cut off power when the lift is not used or for emergency situation.



Warning! - Connection



All the connections need to be fully plugged in as shown on the left for the lift to function.

- At the arrow, no gap should be visible.
- Both hand control and the actuator need to be fully plugged in.

Warning! - Low Battery



If the battery needs to be charged, the battery indicator will show a red bar as shown on the left when the emergency button is released or when trying to use the lift

- Lift would not operate
- Battery needs to be charged immediately

Warning! - Overloaded

During lifting if the lift is overloaded, the control box will lift will be deactivated immediately.

- The control box will beep 3 times.
- The emergency stop button must be pressed in and then release the button to reset the control box.
- Lower the patient immediately.

Available slings compatible with Stand Assist Lift

Stand Assist Sling	
Sling Model	Sling Size
SL-SA662	M
SL-SA663	L
SL-SA664	XL

Stand Assist Buttock Strap	
Sling Model	Strap Size
SL-SA669	Standard
SL-SA669B	Bariatric

Stand Assist Toileting Sling	
Sling Model	Sling Size
SL-TP331	S
SL-TP332	M
SL-TP333	L
SL-TP334	XL

Calf Support Knee Belt*	
Sling Model	Size
WP-SA400E-KB	Standard
*Requires an adapter: WP-BRKT-KB	



If the patient is pregnant or has skin conditions, consult with a doctor before use.



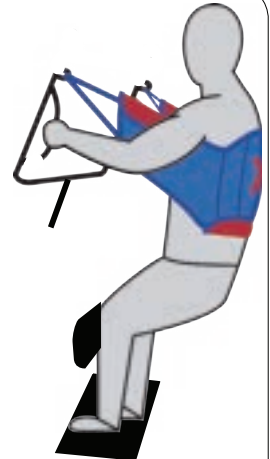
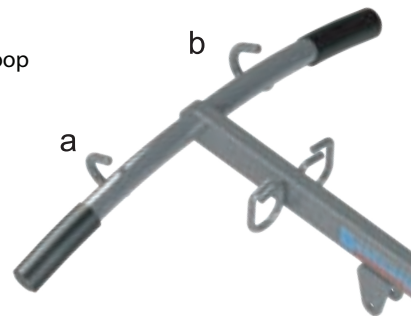
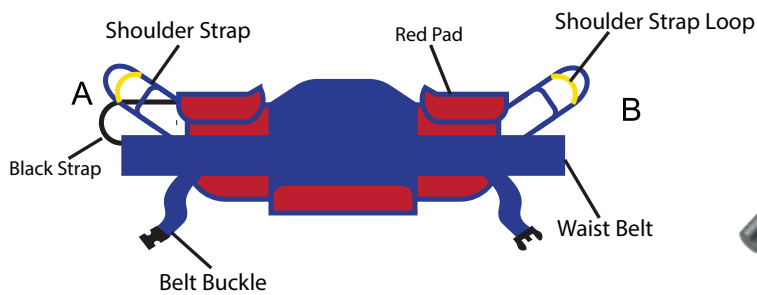
ALWAYS check the slings weight capacity is suitable for the patient.



All slings are type BF applied parts.

FITTING STAND ASSIST SLING

Attach the shoulder straps to the hooks.

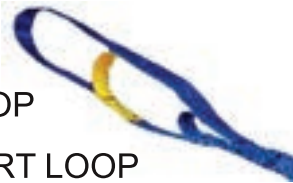


Sling Loop Options

LONG LOOP

CENTER LOOP

SHORT LOOP



LONG LOOP - reclined position

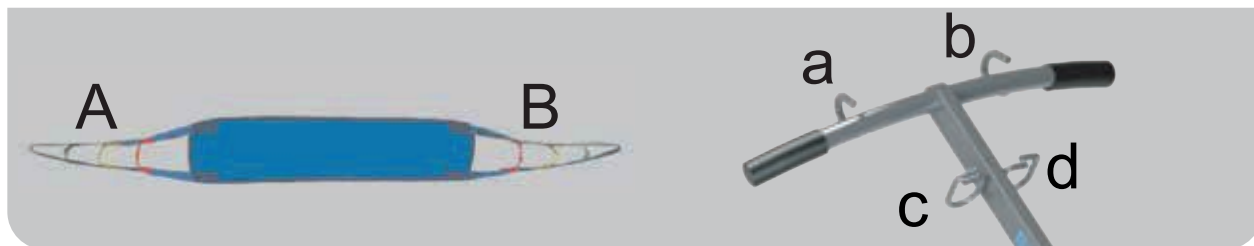
SHORT LOOP - upright position

1. Place sling behind seated patient with the 2 red pads under the arms.
2. Cross the adjustable chest belt over and fasten it securely using the buckle (adjust for comfort).
3. Cross the short black strap over and pull the left loop strap through the black strap.
4. Hook the two loop straps to the hooks ("A" to "a" and "B" to "b") on the lift boom using the same hook and loop sequence on each side.
5. The black strap should loop around both shoulder straps and will be straight across in front of patient to stabilize the sling during lifting.
6. Have patient grasp the arms of the boom and tilt head back slightly.
7. Make sure the patients feet are firmly on the platform and knees are touching the kneepads with kneecaps just above the padding.
8. Use the lift to complete the lift and pivot transfer.



BEFORE LIFTING THE PATIENT, PULL ON EACH SLING LOOPS TO ENSURE THE LOOP IS HOOKED ONTO THE SPREADER BAR PROPERLY.

FITTING STAND ASSIST BUTTOCK STRAP



1. Check sling weight capacity for the patient being lifted. Do not exceed maximum safe working load.
2. Review the following procedures, and “FITTING STAND ASSIST SLING” procedures from previous page carefully prior to attempting lift.
3. Fit the Stand Assist sling onto the patient following “FITTING STAND ASSIST SLING” instructions.
4. Lift the patient up halfway using just the Stand Assist sling.
5. Attach the sling strap “A” to the hook “c” on the boom of the Stand Assist lift. Bringing the other side around the back of the patient’s buttocks (to fit like a park swing) and attach to hook “d”.
6. Position sling so it gives the greatest support to middle and lower part of the patient, and patient can lean on the sling for support while being lifted.

! The Buttock strap **MUST** be used with the Stand Assist sling. These slings are designed to complement one another in providing the greatest comfort and security for the patient being transferred.

FITTING KNEE BELT (OPTIONAL)

Please refer to the instruction guide included with the knee belt adapter.

Calf Support Knee Belt*	
Sling Model	Size
WP-SA400E-KB	Standard
*Requires an adapter: WP-BRKT-KB	

LIFT AND TRANSFER FROM BED

1. Fit sling as described in “Fitting Stand Assist Sling”.
2. Push lift towards patient. Open the base of the lift.
3. Position patient’s feet on the footplate and knees against the knee pad.
4. Attach the sling straps to the hooks.
5. Have the patient’s hands hold the handles. For patients who cannot hold the handles, have them hold their arms around the chest.
6. Press the “UP” button on the hand control.
7. Before the patient’s body has lifted from the bed, stop and make sure the sling is secured and patient’s knees are against the knee pad.
8. The patient should be comfortable with the pressure under the arms. If not, adjust the sling and try another loop option to release pressure.
9. Press the “UP” button until the patient’s body has completely left the bed.
10. Transfer to another object can be done without the patient in a fully standing position.
11. Close the base, and pull the lift away from the bed.
12. Lower the patient to the object intended.
13. To lift patient in a standing position, continue to lift until the patient’s knees are locked in a standing position.
14. At the standing position, patient’s knees may move away from the knee pad.
15. Close the base, and pull the lift away from bed.
16. Lower the patient to the object intended.
17. Reverse the above procedures when lowering the patient to the object intended.

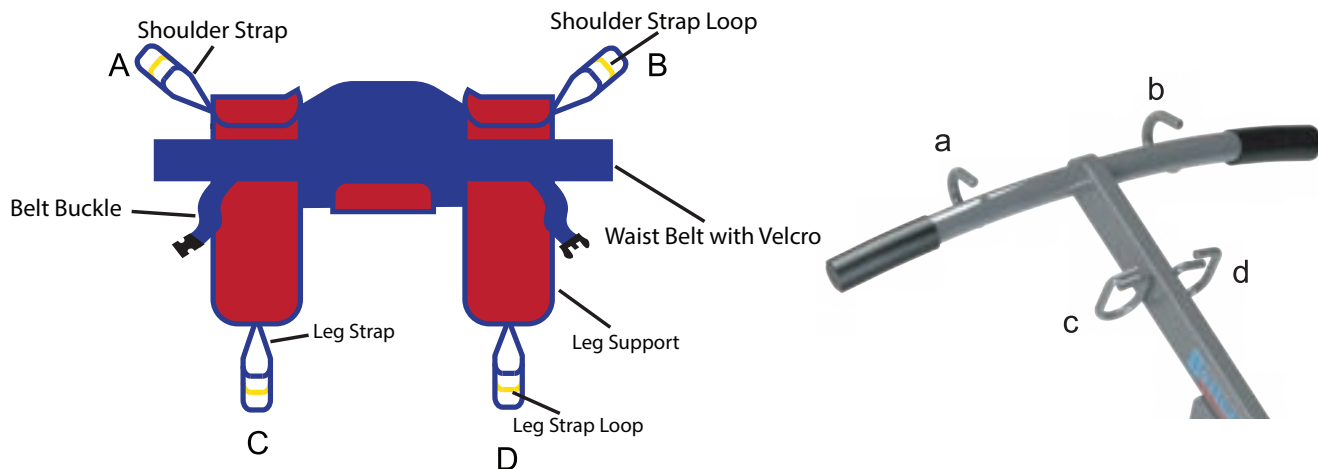
LIFTING HINTS

- Prior to beginning a lift, have the patient lean slightly back and look at a 45 degree angle to the ceiling; this helps position the sling; and is recommended only at the start of lifting.
- Try the sling straps in various color positions to establish best fit.
- Always ensure the same color straps on each side are attached to lift.
- Should patients have a larger girth in mid section or back side area, try the optional buttock strap to help with initial lift leverage.
- Remember this lift is designed for pivot transfers and it is not necessary to lift to full upright position; as long as the patients body clears the bed or the chair and vice versa, you can move the lift and place patient in new position.

LIFT AND TRANSFER FROM COMMUNE

TOILETING SLING

The Toileting Sling is to be used to lift up a patient in a sitting position; it is not meant for the patient to be standing! The Toileting Sling supports the client under the thighs and across the mid-back area.



The Toileting Sling is not suitable for patients who have involuntary movements or patients with limited postural control.

Fitting the Toileting Sling

1. Slide the sling down patient's back to lumbar position.
2. Draw shoulder straps under the arms and around the chest into the front.
3. Draw Velcro waist belt around waist and press together to fasten.
4. **Secure the belt using the belt buckle (adjust for comfort).**
5. Draw each leg support under the thigh.
6. Crisscross leg straps by feeding one of the leg straps through the other strap.
7. Attach shoulder straps loop to the hooks in upper ends of the boom ("A" to "a" and "B" to "b").
8. Attach the proper leg strap loop to the hooks in the lower end of the boom ("C" to "c" and "D" to "d").

Maintenance & Inspection



- It is important that certain basic checks be performed periodically by the operator of the lift or by a qualified technician or maintenance staff.
- The manufacturer recommends that the following components and operating points be scheduled for periodic inspection at intervals not greater than 6 months (≤ 6). The manufacturer also recommends visual inspection prior to use for the additional points below (V). The periodic inspection interval and the visual inspection points are listed below.
- Note – The manufacturer assumes that the assembly instructions were performed properly and by a qualified individual. The manufacturer also assumes that the operator of the lift has been properly trained, reviewed all the training material and knows how to operate the lift.
- With proper use and care, the expected lifetime of the lift is 10 years or 20,000 cycles.
- The expected lifetime of the electrical components are 3 years.

	V upon use	≤ 6 months
Boom and Spreader Bar		
Check connections between boom and spreader bar for proper connection with pin & key ring (for Patient Lifts)	X	X
Check connection between boom and mast for improper connection, looseness, or wear		X
Check spreader bar hook bolts for looseness or damage (for Patient Lifts)	X	X
Key rings are present on spreader bar hooks (on patient lifts) and on boom hooks (on stand assist lifts)	X	X
Mast		
Check mast for bending or deflection		X
Base and Foot Pedal		
Check all nuts and bolts for looseness		X
Check all casters and axle bolts for tightness		X
Check all casters for rotation and locking/unlocking (rear only)		X
Apply multi-purpose grease to bearings if needed		X
Check all weld joints for rust and cracks		X
Actuator and Control Box		
Confirm control box is securely affixed to the mast, and battery pack is secured in control box		X
Confirm actuator is secured between the boom and the mast with the pins and key rings	X	X
Confirm manual emergency lowering mechanism on actuator operates properly		X
Confirm red button on control box shuts off all power when pressed		X
Confirm all cables at the bottom of the control box are properly connected		X
Sling		
Inspect the body of the sling and all loops or connectors that could attach to the spreader bar for signs of wear, damage, or fraying	X	X
Lift Cleaning	As needed	As needed

Cleaning and Disinfecting

Cleaning of the lift

- Use pH-neutral detergents only.
- Remove the battery from the controller.
- Clean lift surfaces, control box and hand control with a damp cloth using pH-neutral detergent.
- Remove debris and hair from the casters and make sure the casters can spin and swivel freely.



- Solvents or strong liquids or abrasive cleaning products will damage the surfaces of the lift.

Cleaning of the sling

- Check with sling label for washing condition.
- As for minor cleaning between patient uses, we recommend wipes with water-soluble soap or isopropyl alcohol.
- For slings with rigid supports, remove the plastic inserts before washing. (Look for an opening near the plastic inserts for removal).
- Machine wash warm or cold.
- Do not wash with other colors.
- Air dry or very low dryer heat.
- REPLACE a sling when it show signs of deterioration.



- DO NOT USE BLEACH.
- DO NOT clean or wash disposable slings.

Deterioration of sling

- Contact us for “Guideline for Identifying Deteriorated Slings” if needed.

Disinfecting of the lift and sling

- Inspect slings prior to each use for contamination from previous use.
- Use isopropyl alcohol for any disinfection purpose.



- Wash a reusable sling for serious contamination.
- Replace a disposable sling for any contamination.
- Reusing a contaminated sling can cause serious bacterial infection.

Troubleshooting Guide

The following list of encountered problems and solutions will assist you in determining what may be causing your patient lift not to function as designed. If you have a problem occurring which is not listed below please contact us for help.

Do not attempt to repair or replace components or parts on your lift as this may void your warranty or cause further problems that may result in patient injury. Stop using your lift immediately if it is not functioning correctly or any warning beeps are heard.

I need to re-charge my batteries often or they fail to hold a charge when I charge them.

- Replace the batteries or battery pack as they are at the end of their life cycle
- Batteries should be changed every 18-24 months depending on usage

The actuator will either go up or down but not both

- Replace your hand control as it is at the end of its life cycle
- Your control box may be malfunctioning

There is a grinding sound inside the actuator when lifting

- Replace your actuator as the internal gears are stripped

The actuator stops and starts while lifting or lowering

- Replace the batteries or battery pack as they are at the end of their life cycle

My lift will not operate even though it shows the batteries are charged

- Unplug the AC power cord from the control box as the lift will not work when the control box/charger is connected to AC power.
- Check to make sure the hand control is properly inserted all the way into the control box port.
- Check to make sure the actuator plug is properly connected and inserted all the way into the control box
- Your hand control needs to be replaced as it is at the end of its life cycle

If there is a problem you could not solve, please contact Dansons Medical for further assistance.

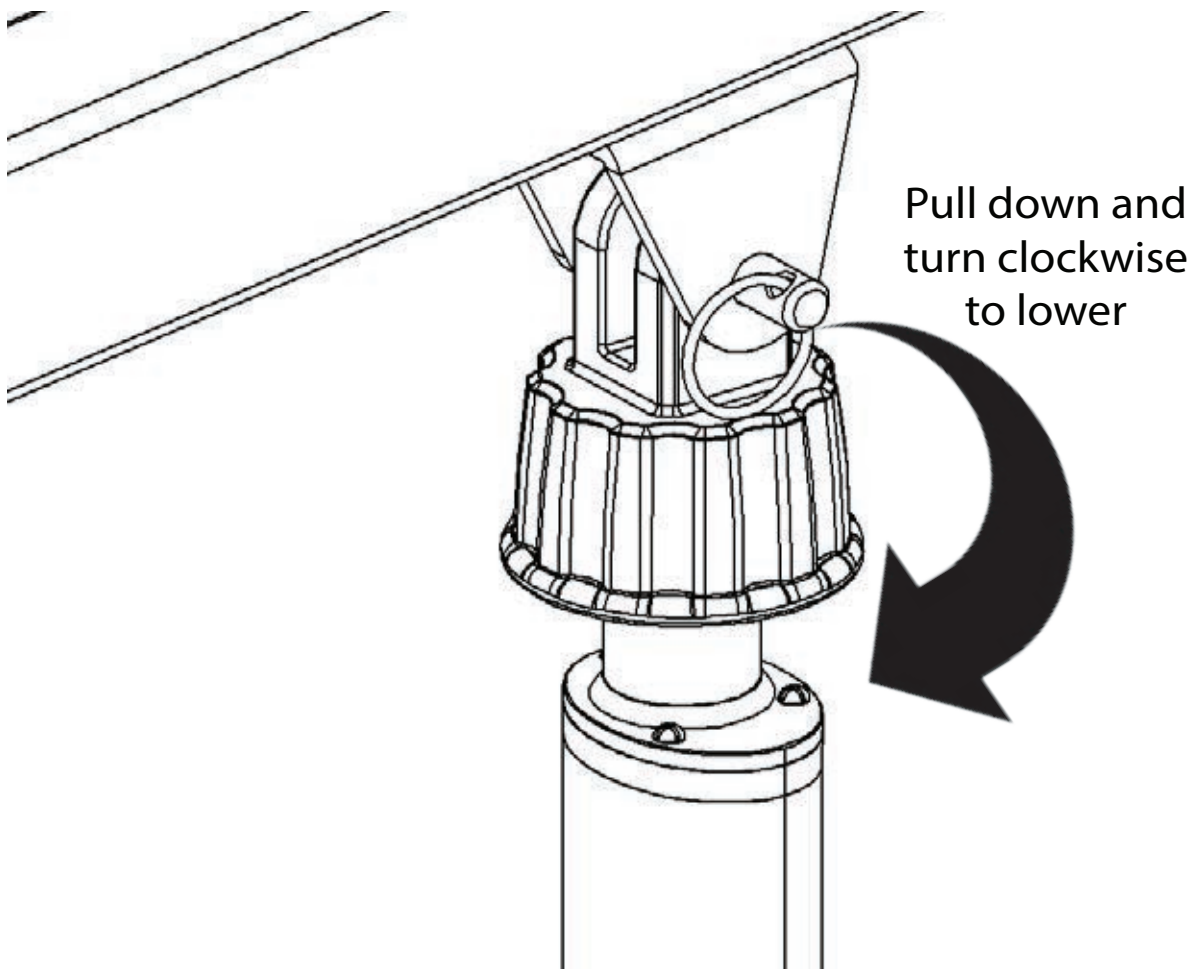


Emergency Lowering Mechanism

Contact us immediately if standard troubleshooting techniques do not correct the failure. Do not attempt to lift until all failure and safety issues have been resolved.

In case of lift failure, please follow the procedures below to safely lower the user.

The Emergency Lowering Device is located at the top of the actuator shaft. It is intended for use if the actuator or electronics fail to operate while the patient is suspended in midair. The device consists of a plastic collar ring that should be first pulled down and turned clockwise continually until the patient has been lowered.



**NOTE:
THE EMERGENCY LOWERING DEVICE IS INTENDED FOR USE DURING LIFT FAILURE. THIS DEVICE WILL ALLOW LOWERING OF PATIENTS ONLY. PLEASE CONTACT US IMMEDIATELY IN CASE OF FAILURE.**

WARRANTY POLICY

Dansons Medical offers a limited warranty on all patient lifts, slings and accessories to be free of defects in workmanship and product performance. This warranty is extended only to the original purchaser/user and is therefore non transferable. Any warranty claims must be submitted through an authorized dealer or distributor that sold the original product with proper proof of sale and serial number supplied. Prior authorization from Dansons Medical is required for any warranty replacement and we reserve the right to replace parts and or accessories in lieu of sending complete new patient lifts. Dealers and distributors will be billed for any advance warranty replacement items shipped and credited at 100% only when the defective items have been returned to Dansons Medical and proven defective. Product returned without a Dansons Medical return authorization will be refused. Returns received 30 days after the issuance of a return authorization will also be refused as the authorization will have expired. The final disposition of warranty claims will be subject to our inspection of the returned items. Dansons Medical has the right to determine valid claims based on the individual circumstances of each claim. Warranty claims will be denied should evidence of the following be determined:

- Misuse of product , modification of product or failure to maintain as per the owner's manual
- Serial number removed or defaced
- Normal wear and tear

Dansons Medical warrants the following products and components for the time period specified:

- Lift frames and spreader bar: 3 years
- Actuator: 2 years
- Parts including casters, pendant: 2 years
- Control box, battery, and charger: 1 year
- Weigh Scale: 2 years
- Spryte stand aid all components: 2 years
- Hydraulic pumps: 1 year
- Reusable slings: 6 months

Dansons Medical Single Patient Slings are designed for limited use with one patient and may not be washed. Dansons Medical will replace any disposable slings found to have a manufacturing defect. Normal wear and tear will not be covered under warranty.

Notes



Dansons Medical



678-735-4488

DANSONSMEDICAL.COM