



THE LEADERS IN RECREATION, FITNESS, AND ABILITY!

9889 Garrymore Ln

Missoula, MT 59808

888-687-3552 | +1-406-549-0769

www.aquacreek.com

Power EZ 2 Manual

PART #: F-PEZPL2-04

400 LB. [181 kg] MAXIMUM WEIGHT CAPACITY

MANDATORY

LEAVE THIS MANUAL WITH LIFT OWNER

Read and follow all instructions.

Lift safety can only be ensured if the lift is installed and operated according to these instructions.

- NEVER permit children to play on or around the lift
- Do not allow children to use the lift without adult supervision
- NEVER apply direct water pressure to the electronics
- NEVER use the lift with a dry pool



READ CAREFULLY

Check entire box and all packing materials for parts. Before beginning assembly, read the instructions and identify parts using the figures and parts listed in this document.

It is critical that all parts be carefully inspected prior to installation. If any damage occurred in transit, Aqua Creek Products, LLC must be notified within three days of receipt of unit.

Proper installation cannot be overstressed, as an improper installation voids Aqua Creek's warranty and may affect the safety of the user.

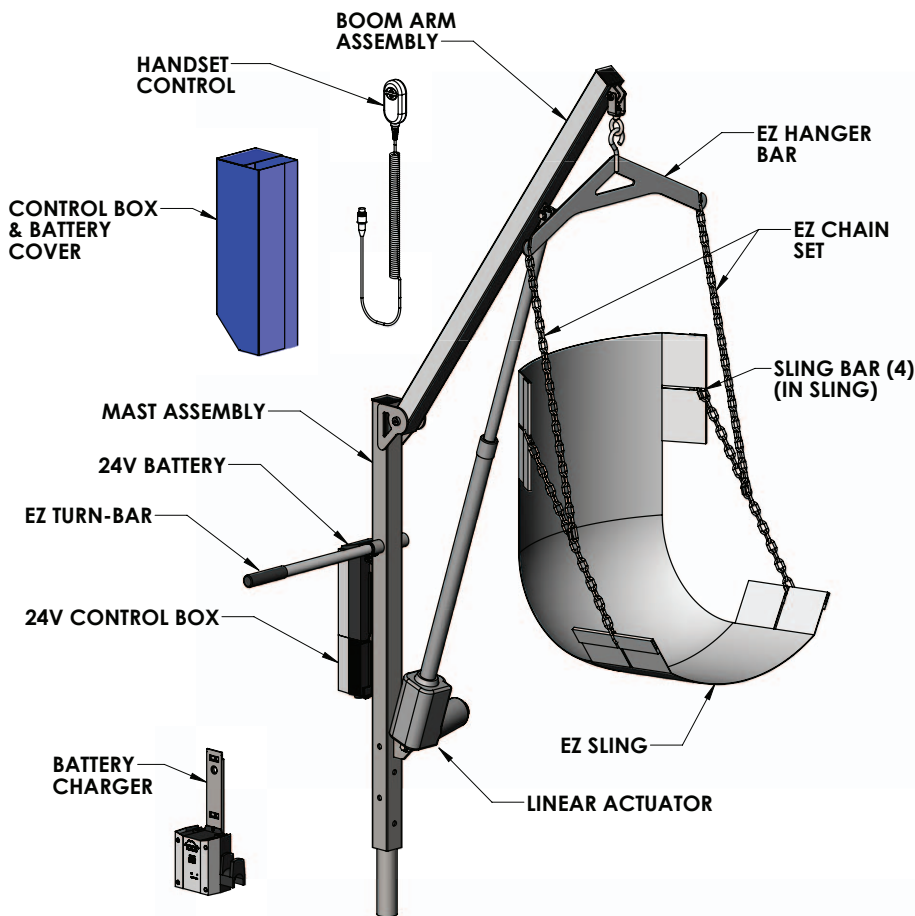
Power EZ 2 Lift

Table of Contents

PAGE	DESCRIPTION	PAGE	DESCRIPTION
2	Power EZ 2 Components	9	Basic Troubleshooting
3-4	Retro-fit Concrete Instructions	10	Proper Care of Pool/Spa Lift
5	New Concrete Instructions	11	Parts List
6-7	Assembly Instructions	12	Warranty
8	Operating Instructions		

Power EZ 2 Components

The Power EZ 2 lift will arrive partially assembled in multiple boxes. Begin by removing all parts from the boxes and locating the parts for your lift in the parts lists below. Refer to the parts breakdown drawings in the back of this manual for assistance.



BOX 'A' CONTENTS

QTY	DESCRIPTION
1	POWER EZ BOOM ARM & MAST

BOX 'B' CONTENTS

QTY	DESCRIPTION
1	24V LINAK CONTROL BOX
1	24V LINAK BATTERY CHARGER
1	LINAK HANDSET REMOTE
1	24V VITO BATTERY
1	EZ SLING
1	EZ CHAIN SET
1	EZ HANGER
4	EZ SLING BARS
1	LINEAR ACTUATOR
1	EZ TURN BAR
1	CB/BATTERY COVER
2	3/8" X 1 3/4" HEX BOLT
2	3/8" NYLOCK NUT
4	3/8" FLAT WASHER
1	#10 X 3/8" CAP SCREW
1	ANCHOR (IF ORDERED WITH LIFT)
1	OWNERS MANUAL

Anchor Installation: Retro-Fit Concrete

TOOLS REQUIRED:

TAPE MEASURE	4" CORE DRILL BIT
CORE DRILL	FELT TIP MARKING PEN
ELECTRICAL TAPE	VACUUM OR COMPRESSED AIR
CARPENTERS LEVEL	2-PART EPOXY (or equivalent)

NOTE: The concrete deck around the anchor should be a minimum of 8 inches thick and reinforced with #4 bars at 10 inches on center, each way. The total concrete pad area should be at least 60 inches wide and 60 inches long.

- 1.** Determine the best location for the lift. Mount the lift at a location that provides 42 inches [107cm] to 48 inches [122cm] deck level to the bottom of the pool (usually the shallow end). Make sure the location has enough clear deck space to easily transfer. The lift requires at least 6 feet [1.8 meters] of unobstructed deck to each side of the lift to accommodate easy maneuvering of the lift over the water and back. Keep in mind this lift will require assistance so locate an area that can accommodate another person.
- 2.** Locate the concrete anchor socket. Be careful to not lose the protective cap on the anchor as this will be used to keep dirt and debris out of the socket when the lift is not installed in the anchor.
- 3.** The setback to the center of the anchor must be no less than 12 inches [30.5cm] and no more than 20 inches [51cm] from the pool wall. The anchor location must also be at least 6 inches [15cm] from any control joint or edge of concrete slab. Measure the location out using the tape measure and marking pen. See FIGURE 1 on page 4 for details.
- 4.** Core drill at least a 4 inch [10cm] diameter hole at the desired location for the lift anchor socket. The hole will need to be 7 inches [18cm] deep to allow for the grounding lug which protrudes from the bottom of the anchor.

NOTE: Use the electrical tape to make a mark on your drill bit at 7 inches [18cm] as a depth mark to tell you when to stop drilling.
- 5.** Clean out the hole using a vacuum or compressed air. Check that the hole is deep enough to allow the anchor to be flush with the finished deck surface.
- 6.** Ground the anchor according to your local code requirements. This may require additional drilling and/or other tools.

Anchor Installation: Retro-Fit Concrete

7. Carefully insert the anchor into the hole. Pour a small amount of 2 part epoxy, or equivalent, around the anchor. Check that the anchor will sit level or flush with the finished deck surface.

NOTE: Fill the hole about 1/3 full of 2 part epoxy, or equivalent, prior to inserting the anchor. As you insert the anchor, rotate it back and forth so that you can evenly distribute the cement or epoxy around the anchor.

8. Once anchor is level and flush with deck, pour cement or epoxy into the remaining space around the anchor making sure there are no void spaces. Let cement or epoxy cure for 24 hours (or minimum manufacturer's recommendations) before installing and using lift.

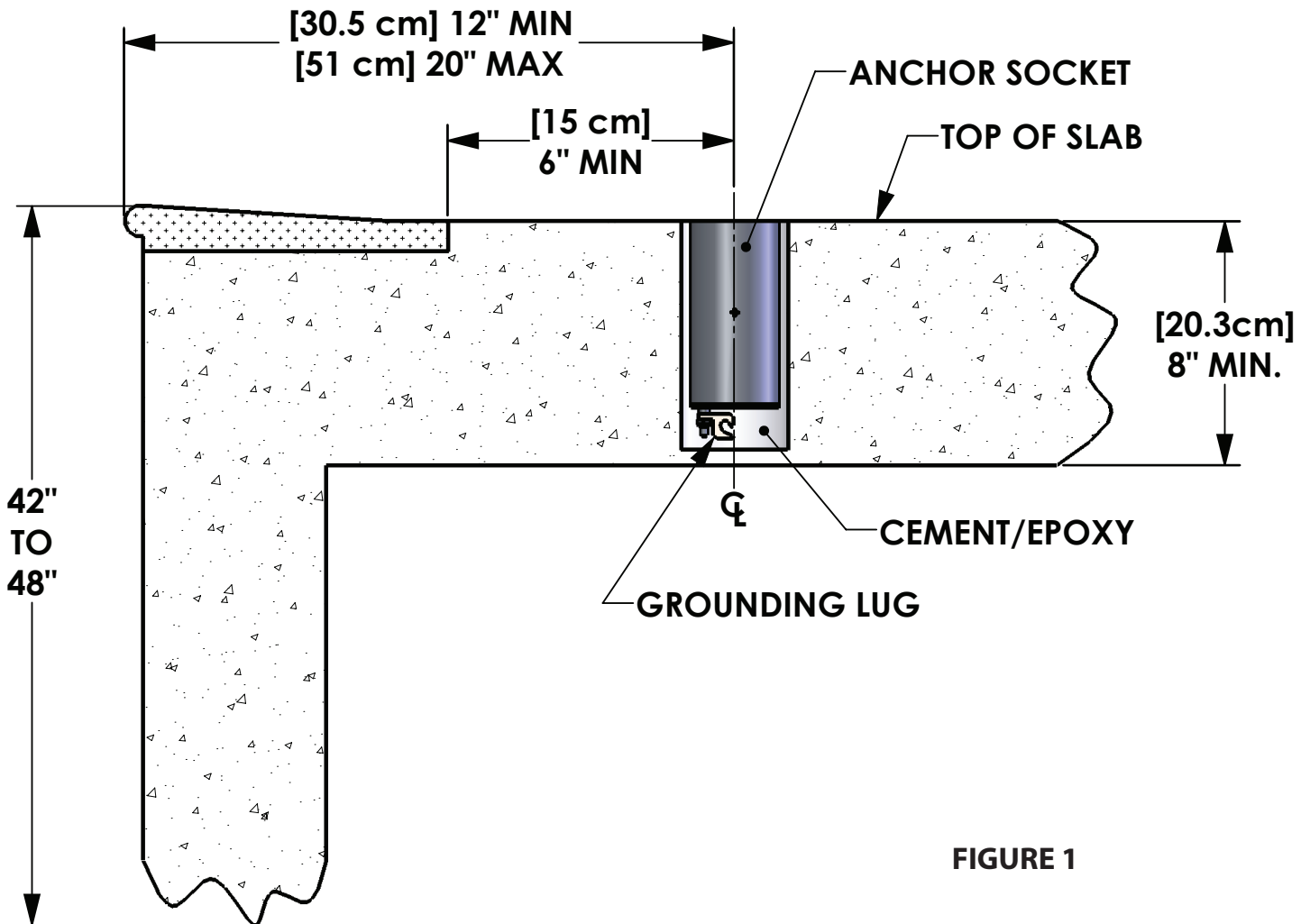


FIGURE 1

Anchor Installation: New Construction

TOOLS REQUIRED:

TAPE MEASURE

STRING LINE

CARPENTERS LEVEL

STRING LEVEL

MARKING PEN

NOTE: The concrete deck around the anchor should be a minimum of 8 inches thick and reinforced with #4 bars at 10 inches on center, each way. The total concrete pad area should be at least 60 inches wide and 60 inches long.

- 1.** Determine the best location for the lift. Mount the lift at a location that provides 42 inches [107cm] to 48 inches [122cm] deck level to the bottom of the pool (usually the shallow end). Make sure the location has enough clear deck space to easily transfer. The lift requires at least 6 feet [1.8 meters] of unobstructed deck to each side of the lift to accommodate easy maneuvering of the lift over the water and back. Keep in mind this lift will require assistance so locate an area that can accommodate another person.
- 2.** Locate the concrete anchor socket. Be careful to not lose the protective cap on the anchor as this will be used to keep dirt and debris out of the socket when the lift is not installed in the anchor.
- 3.** The setback to the center of the anchor must be no less than 12 inches [30.5cm] and no more than 20 inches [51cm] from the pool wall. The anchor location must also be at least 6 inches [15cm] from any control joint or edge of concrete slab. Measure the location out using the tape measure and marking pen. See FIGURE 1 on page 4 for details.
- 4.** Ground the anchor according to the local code requirements.
- 5.** Place the anchor in the proper location using the string level and string line to make sure the top of the anchor will be flush with the finished surface of the new deck. Place a small amount of concrete at the location of the anchor to hold it in place.
- 6.** Verify all the measurements for accuracy and pour the deck as you normally would, making sure not to get any concrete inside the anchor system. Allow the concrete to cure before installing and using the lift.

Assembly Instructions

TOOLS REQUIRED:

9/16" WRENCH (2)

5/32" HEX KEY

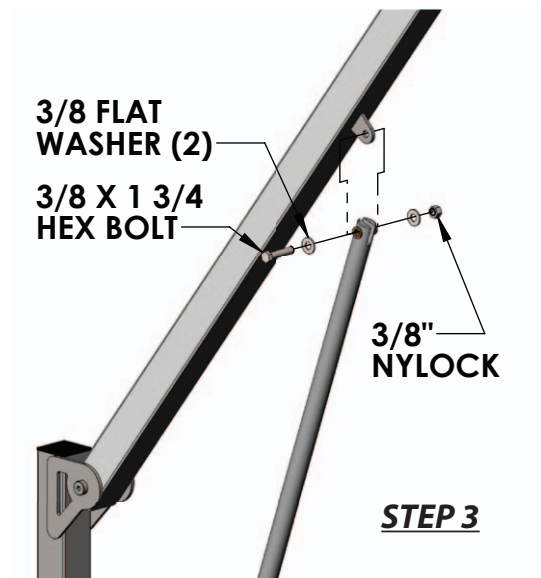
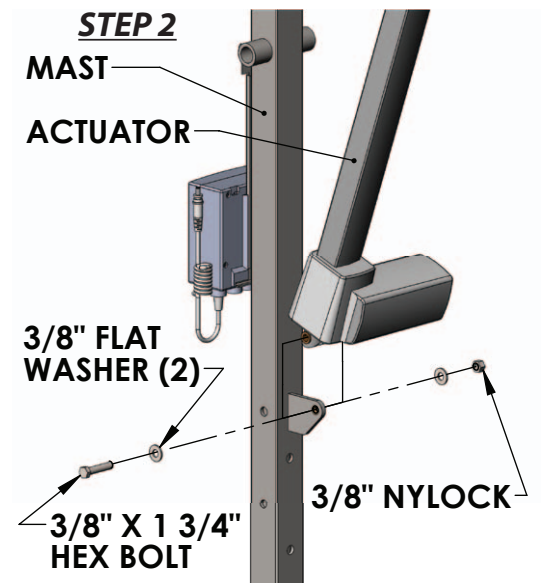
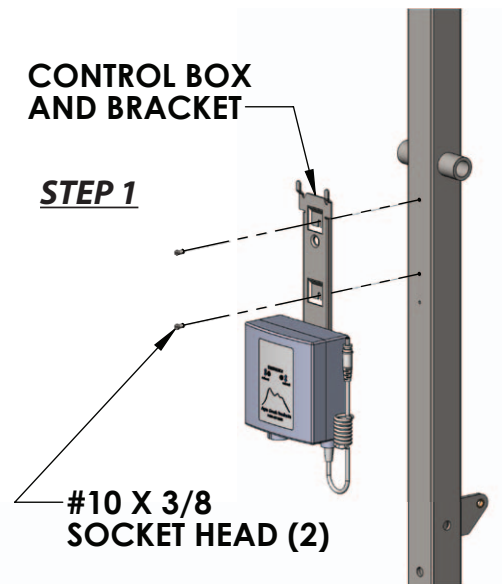
The Power EZ 2 Pool Lift arrives with the boom arm attached to the mast. To complete the assembly, layout all parts on a large, clean area.

STEP 1. Attach the control box to the lifts mast using the supplied #10 socket head screws and a 5/32" hex key.

STEP 2. Using two (2) 9/16" wrenches, connect the lower end of the linear actuator to the mast (vertical post) with one (1) 3/8" x 1 3/4" hex bolt, two (2) 3/8" flat washers and one (1) 3/8" nylock nut.

STEP 3. Connect the upper end of the actuator to the boom arm with one (1) 3/8" x 1 3/4" hex bolt, two (2) 3/8" flat washers and one (1) 3/8" nylock nut using the two (2) 9/16" wrenches.

STEP 4. Slide the lift into the previously installed anchor socket. Make sure that the mast is seated at the bottom of the anchor. Check to ensure easy rotation of the lift inside the nylon-lined anchor sleeve.

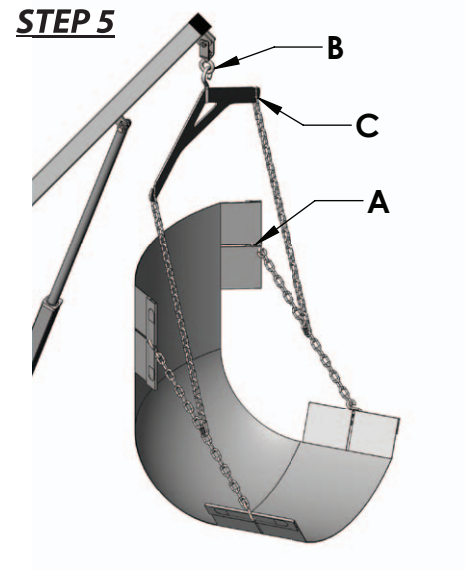


Assembly Instructions

STEP 5. Locate the chain assembly and insert the quick links into the holes in the sling support bars (A).

Attach the hanger to the boom eye on the lift (B).

Adjust the chain links so that the sling is at the appropriate height to allow the user easy access (C). This may require several adjustments. Also, be mindful of any obstacles such as coping or a gutter that will need to be cleared.



STEP 6. Attach the handset controller plug at the base of the control box. Press firmly until plug is fully seated in the control box.

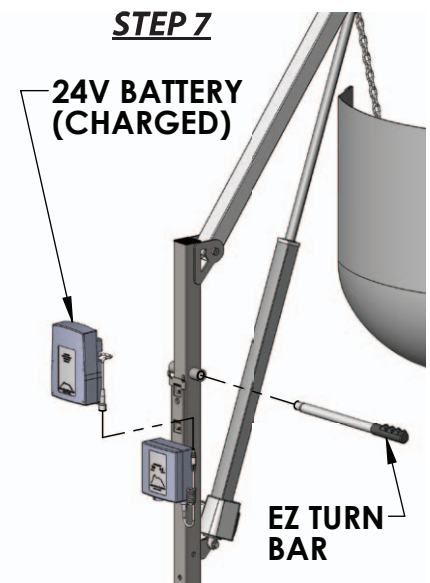
STEP 7. Slide the EZ turn bar into the attachment bracket. If desired, the turn bar can be locked in place using the 1/4" button head, lock and flat washer. Mount the FULLY CHARGED 24V battery on top of the control box. When properly mounted the battery will lock in place, causing a 'click' sound, and will sit flush and square with the control box.

ATTENTION! THE BATTERY MUST BE CHARGED FOR 24 HOURS BEFORE FIRST USE. STORE THE BATTERY ON THE CHARGER AND NEVER LEAVE THE BATTERY ON THE LIFT WHEN NOT IN USE.

Assembly is complete. Prior to lifting any persons, it is recommended that the lift be operated 3-5 times without a load for the lifts "break in" cycle period as well as to check for proper functioning (and that the instructions for operating the lift be read and incorporated into a training program for the persons who will be operating the lift). For any person operating the lift, please continue to operating instructions. Read carefully for comprehension.



STEP 6



STEP 7

Operating Instructions

NOTE: For safety, check for worn parts and loose bolt connections prior to each use. All operators should be familiar with all lift components and their intended uses. Operators should also be comfortable with all lifting procedures before attempting to lift a person with the lift.

The Power EZ 2 Pool Lift requires the use of an operator to assist the lift occupant with the transfer into the pool. There are two methods of loading the lift occupant into the harness. The method of loading will depend on the physical ability of the lift occupant. If the user is physically able, he/she can simply place themselves into the harness without need for assistance. If the user has very limited use of his/her upper body, it will be necessary to follow the procedure below.

1. With the lift in the raised position and the boom arm located over the deck, roll the user under the lift and engage the brakes on the wheelchair.
2. With the user facing the assistant, gently slide the mesh seat sling under the seated user while still in the wheelchair.
3. Attach the chain to the mesh sling and the overhead hanger bar. Avoid excess slack in the chain.
4. Ensure all chain connections are secure and the mesh seat sling is even on each side of user.
5. Raise the user by pressing the 'up' arrow button on the handset until the desired height is achieved.
6. Rotate the lift so that the user is above the pool. Never push on the actuator! Use the turn bar or place one hand on the boom arm and one hand on the mast.
7. Lower the user into the water by pressing the 'down' arrow button on the handset until the user is submerged sufficiently in the water to allow an easy transfer to the pool.
8. This procedure is repeated to remove a user from the water.
9. When the lift is not in use, remove the sling, hanger bar and mast from the anchor socket and replace the protective cap.

Thank you for purchasing the Aqua Creek Power EZ 2 Pool Lift. Enjoy the pool and this product for many years with proper use and maintenance.

See page 8 of this manual for proper care instructions.

Basic Troubleshooting

Problem: The lift won't move.

Solution:

1. Make sure the battery is properly seated:

You should hear a click when the battery is properly seated on the control box or charger.



NOT Properly Attached:
Note: the white bracket is in front of the silver clip, which will not allow for an electrical connection



Properly Attached:
Note: the white bracket is behind the silver clip, holding it securely to allow for an electrical connection

2. Make sure the cords are properly plugged in:



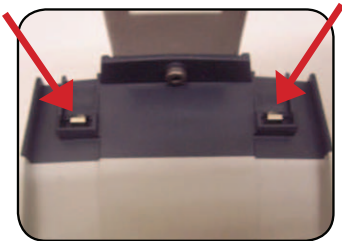
NOT Properly Inserted:
The cord plug is flush with or sticking out of the outlet



Properly Inserted:
The cord plug is recessed into the outlet

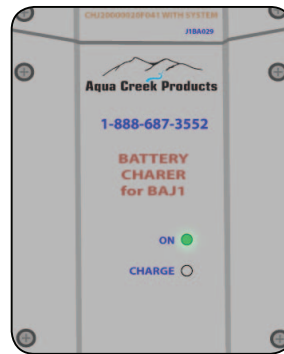
Check the ends of the cords for corrosion or damage. The cord plugs should be recessed into the outlet. You should feel them pop into place when they are correctly inserted.

3. Check the contact points:



Make sure the contact points of the control box and the battery are not damaged or corroded. If there is corrosion clean with Scotch-Brite™ pad. Put some dielectric grease on the contact points before reattaching the battery.

4. Make sure the battery is fully charged:



The Charger is ON when the green light is glowing

The Battery is CHARGING when the orange light is glowing

When the Battery is charged the orange light will stop glowing

Problem: The lift stopped moving over the water and is stuck.

Solution:

1. Press the emergency button

Use a pen or pencil tip and stick it into the emergency button on the front of the control box to retract the lift.

Note: the lift will not retract if the battery is not fully charged or if the control box is not working. The emergency button only overrides the remote handset.



FOR TROUBLESHOOTING ASSISTANCE



Proper Care of Pool & Spa Lifts

PROCEDURE	BEFORE EACH USE	DAILY	WEEKLY	MONTHLY
Check battery level indicator on control box	✓			
Run the lift through a complete test cycle (fully extend actuator) to verify it is functioning properly	✓			
Wash lift with fresh water and dry with clean, soft, non-abrasive cloth		✓		
Recharge battery		✓		
Visually inspect lift for damage, corrosion, and loose or missing hardware		✓		
Check all contact points for damage and/or corrosion			✓	
Repair, clean and apply dielectric grease to all contact points			✓	
Thoroughly clean lift frame and apply a liberal coat of car wax to maintain the lift's finish				✓
Check all Warning and Cautionary labels to make sure they are not faded or worn. Replace as needed.				✓

PROPER CARE NOTES

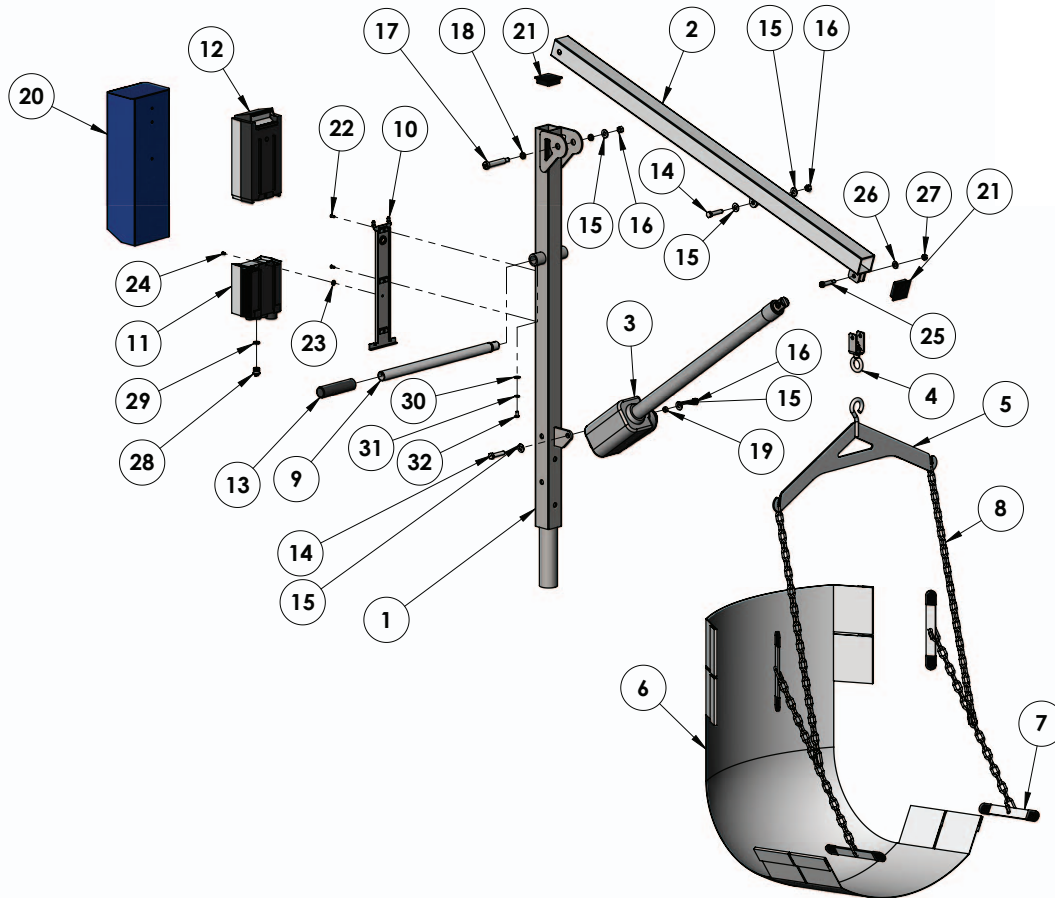
- **Use only fresh water to wash your lift. Do not wash with pool water.**
- Use only clean, soft, non-abrasive cloths on your lift.
- Do not store lift in pump room or near chemicals.
- Do not allow children to play on or around this lift.
- When cleaning the lift, do not spray water directly on control box or battery.
- The lift may need to be bonded according to local code requirements.

STAIN REMOVAL TIPS:

To remove stubborn stains from finish, spray affected area with mild dish soap, rub briskly with a 3M Scotch Brite™ pad. Use white epoxy paint to touch up the finish. Apply wax to protect when dry.

For service and/or replacement parts, contact Aqua Creek Products
Toll free: (888) 687-3552

Parts List



ITEM #	QTY	PART #	DESCRIPTION
1	1	PEZWM-0804PEZMA-02	MAST WELDMENT, POWER EZ 2
2	1	PEZWM-0804PEZBA-01	BOOM WELDMENT, POWER EZ 2
3	1	340643-00	ACTUATOR, LINAK, 600mm
4	1	F-03EZSWIV	SWIVEL ASSEMBLY, EZ SERIES
5	1	F-038EZHB	EZ HANGER
6	1	F-034EZZS	EZ STANDARD SLING
7	1	F-032EZB	SLING BAR ASSEMBLY, SET OF 4
8	1	F-031EZCH	CHAIN SET, EZ
9	1	A-0808EZTB-02	EZ TURN BAR ASSEMBLY
10	1	MBJ2-01	BRACKET, MOUNTING, LINAK
11	1	CBJ2-U033-00	CONTROL BOX, LINAK, BATTERY LEVEL INDICATOR
12	1	BAJ1-U026-00	BATTERY, 24V BATTERY PACK, SEALED, LEAD ACID, LINAK
13	1	RUBBER HAND GRIPS	GRIP, RUBBER HAND GRIP
14	2	BH 3/8 X 1 3/4	BOLT, 316 SS, 3/8-16 X 1 3/4 HCS
15	5	WF 3/8	WASHER, FLAT, 3/8, 316 SS
16	3	NN 3/8	NUT, 316 SS, NYLOCK, 3/8"-16
17	1	BS 1/2 X 2 1/2 18-8	BOLT, 18-8 SS, 1/2 X 2 1/2 SHOULDER, 3/8"-16 THREAD
18	2	BRB SS-1620-3	BUSHING, BRONZE SLEEVE, SS-1620-3, 1/2 X 5/8 X 3/16
19	1	BRB SS-1216-4	BUSHING BRONZE SLEEVE, 3/8 X 1/2 X 1/4
20	1	F-UBC	BATTERY COVER
21	2	SQR-2-10-14	2X2 SQUARE BLACK CAP
22	2	BSH 10 X 3/8	BOLT, 316 SS, 10-24 X 3/8 SHCS
23	1	WF 10	WASHER, FLAT, #10 SAE, 316 SS
24	1	M5 LPCS	CONTROL BOX SCREW
25	1	BS 3/8 X 1 1/4 18-8	BOLT, 18-8 SS, 3/8 X 1 1/4 SHOULDER, 5/16-18 THREAD
26	1	WF 5/16	WASHER, FLAT, 5/16, 316 SS
27	1	NN 5/16	NUT, 316 SS, NYLOCK, 5/16"-18
28	1	00912030-A	PLUG, FOR CONTROL BOX, CONVERT 2-PORT TO 1-PORT
29	1	0007007	O-RING, FOR CONTROL BOX, CONVERT 2-PORT TO 1-PORT
30	1	WF 1/4	WASHER, FLAT, 1/4, 316 SS
31	1	WL 1/4	LOCK WASHER, 1/4, 316 SS
32	1	BB 1/4 X 1/2	BOLT, 316 SS, 1/4-20 X 1/2 BHSCS
*33	1	HB00-U017	REMOTE, LINAK, 2 BUTTON
*34	1	F-044CH	CHARGER, FOR 24V LINAK BATTERY
*35	3	ZIP TIE, 6"	6" CABLE ZIP TIE (NOT PICTURED)

*Not pictured above

AQUA CREEK PRODUCTS, LLC LIMITED FIVE (5) YEAR WARRANTY:

EZ SERIES LIFTS

(ITEM #'s F-EZPL2, F-PEZPL2, F-03EZPL, F-EZPL2, F-03EZPLNA, F-03PEZ, F-333PEZNA, F-PEZPL2, F-190PHBL, F-194PHBL-NA)

Aqua Creek Products, LLC (a.k.a. Aqua Creek) warrants to the original end user purchaser that products manufactured by Aqua Creek, when properly installed in accordance with assembly and installation instructions, and properly used and maintained, shall be free from defects in material and workmanship for a period of **five (5) years from the date of original purchase**, provided that Aqua Creek receives prompt notice in writing of any defect or failure and satisfactory proof thereof, with the following exception(s):

Exceptions:

- All electrical components, including the linear actuator shall have the following warranty period:
 - Year 1-2: 100% Coverage
 - Year 3: 60% Coverage (Customer is responsible for 40% of replacement cost)
 - Year 4: 50% Coverage (Customer is responsible for 50% of replacement cost)
 - Year 5: 40% Coverage (Customer is responsible for 60% of replacement cost)
- Hydraulic actuators and mesh slings shall have a warranty period of **one (1) year from the date of original purchase**.
- Powder coat finish scratches, scrapes, corrosion, or dents from customers normal use, negligence, or abuse

This warranty specifically excludes reimbursement for labor to remove, repair, or install the product and any shipping charges. These warranties do not cover any damages due to accident, force majeure, act of nature, misuse, abuse, negligence or failure to properly maintain any products, or normal wear and tear from day to day operations. In the event that any products are altered, repaired, or improperly installed or improperly used by anyone without the prior written approval by Aqua Creek, all warranties are void. **IMPORTANT: AMOUNT OF WEIGHT PLACED ON LIFT SHALL NOT EXCEED THE RATED LIFTING CAPACITY FOR THE LIFT. NEVER OPERATE THE LIFT UNDER LOAD IN A DRY POOL (WITH NO WATER IN THE POOL).** It is the responsibility of the lift owner to verify the weight of the patron for warranty claim purposes and to ensure that the lift is not overloaded. Non-payment for product to Aqua Creek may void warranty.

To initiate a warranty claim, the owner of an Aqua Creek product must provide the place of purchase, in writing, with a full description of the product, its serial number, the dates of purchase and installation, and the exact nature of the defect. Within thirty (30) days after receipt of a written warranty claim by Aqua Creek, and barring any unforeseen delays, the place of purchase will be notified of Aqua Creek's decision regarding the claim.

If requested by Aqua Creek, any defective product must be returned, freight prepaid by customer, to Aqua Creek's designated factory location or duly appointed distributor for inspection and/or repair. Aqua Creek will, at its option, repair or replace the failed or defective item, and deliver the repaired product or replacement to the customer. All freight charges are the responsibility of the customer. Products returned to Aqua Creek for which Aqua Creek provides replacement under this limited warranty shall become the property of Aqua Creek. A new warranty period shall **NOT** be established for the repaired or replaced products. Such products shall remain under warranty only for the remainder of the original warranty period on the original products purchased.

This written limited warranty constitutes the final, complete and exclusive statement of warranty terms. No person or organization is authorized to make any other specific or implied warranties or representations on behalf of Aqua Creek.

THE WARRANTIES SET FORTH HEREIN ARE IN LIEU OF ALL OTHER WARRANTIES, EXPRESSED OR IMPLIED, WHICH ARE HEREBY DISCLAIMED AND EXCLUDED, INCLUDING WITHOUT LIMITATION ANY WARRANTY OF MERCHANTABILITY OR FITNESS FOR A PARTICULAR PURPOSE OR USE.

THE SOLE AND EXCLUSIVE REMEDIES FOR BREACH OF ANY AND ALL WARRANTIES WITH RESPECT TO THE PRODUCTS SHALL BE LIMITED TO REPAIR OR REPLACEMENT AT AQUA CREEK'S DESIGNATED FACTORY LOCATION, OR DULY APPOINTED DISTRIBUTOR, OR IN PLACE AT AQUA CREEK'S OPTION. IN NO EVENT SHALL AQUA CREEK'S LIABILITY EXCEED THE ENTIRE AMOUNT PAID TO AQUA CREEK BY THE ORIGINAL PURCHASER FOR THE FAILED OR DEFECTIVE PRODUCT.

IN NO EVENT SHALL AQUA CREEK PRODUCTS, LLC BE LIABLE FOR ANY INCIDENTAL, CONSEQUENTIAL, SPECIAL, INDIRECT, PUNITIVE OR EXEMPLARY DAMAGES OR LOST PROFITS FROM ANY BREACH OF THIS LIMITED WARRANTY OR OTHERWISE.

THIS WARRANTY GIVES YOU SPECIFIC LEGAL RIGHTS AND YOU MAY ALSO HAVE OTHER RIGHTS, WHICH MAY VARY FROM STATE TO STATE. SOME STATES DO NOT ALLOW THE EXCLUSION OR LIMITATION OF INCIDENTAL, SPECIAL OR CONSEQUENTIAL DAMAGES, SO SOME OF THE ABOVE LIMITATIONS OR EXCLUSIONS MAY NOT APPLY TO YOU.

Aqua Creek Products, LLC
9889 Garrymore Lane
Missoula, MT 59808
Toll Free: (888) 687-3552
Local/Intnl: (406) 549-0769
www.aquacreek.com