



FORTRESS® OSHA Stair System

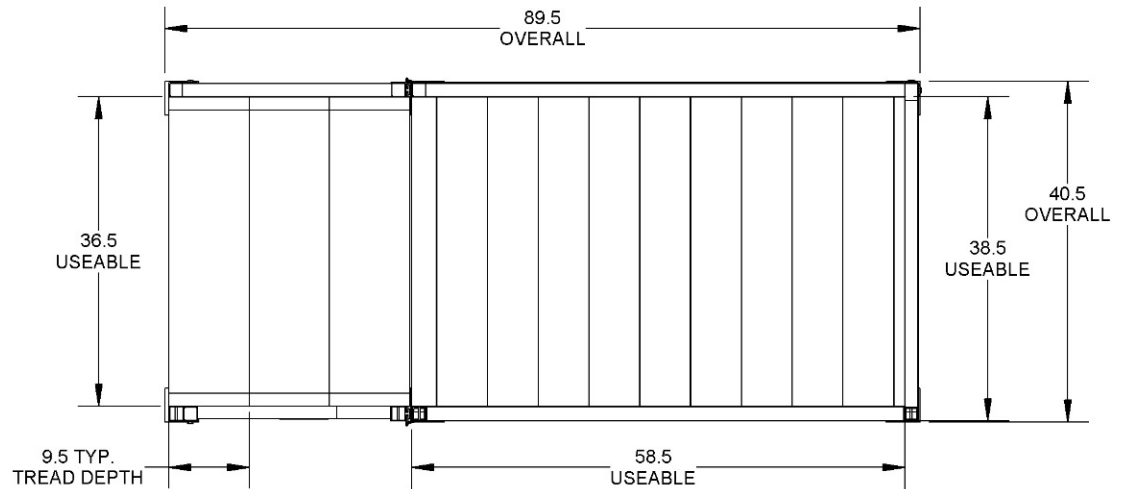
Technical Specifications

MODEL	FOR2334	FOR2742
NUMBER OF RISERS	3	4
HEIGHT ADJUSTMENT	23" – 34"	27.5" – 42.5"
OSHA COMPLIANT HEIGHTS	25.5" & 34"	34" & 42.5"
RISER WEIGHT WITH LEGS	27 lbs.	37 lbs.
RISER HANDRAIL WEIGHT	7 lbs.	8 lbs.
PLATFORM WEIGHT WITH LEGS	46 lbs.	48 lbs.
PLATFORM HANDRAIL WEIGHT	16 lbs.	17 lbs.
SYSTEM NET WEIGHT	96 lbs.	110 lbs.
SYSTEM FOOTPRINT (FULLY ASSEMBLED)	40.5" W x 89.5" L	40.5" W x 99" L
PLATFORM SIZE (OVERALL)	40.5" W x 60"	
PLATFORM SIZE (USEABLE)	38.5" W x 58.5" L	
ALUMINUM TYPE	6000 series	
RATED LOAD (DO NOT EXCEED RATED LOAD)	1,000 lbs.	
STANDARD FEET	4" x 4" sq.	
OVERSIZED FEET (OPTIONAL) <i>Anchor-ready polymer foot with thumb screw for tightening (anchors not included)</i>	7.375" x 7.375" sq.	
RISER HEIGHT	8.5"	
RISER TREAD DEPTH	9.5"	
RISER TREAD WIDTH	36.5"	
RISER HANDRAIL HEIGHT <i>Measured from leading edge of step tread to gripping surface</i>	36"	
PLATFORM HANDRAIL HEIGHT	42.5"	
WARRANTY	3-Year Limited	
RISER TYPE	Open	
UNIVERSAL HANDRAILS	Left or right turn	
BUILDING ATTACHMENT	Anchor-ready angle braces on platform to secure to building (anchors not included)	
OPTIONAL PLATFORM W/ DRAIN HOLES <i>Drain holes are on the platform only</i>	.375" x .75" holes on tread surface for draining of water build-up	
CANOPY HEIGHT FROM PLATFORM	93.5"	
CANOPY SIZE (OVERALL)	40.6" W x 60.5" L x 2.75" H	
CANOPY WEIGHT (INCLUDES SUPPORTS)	75 lbs.	
CANOPY RATED SNOW LOAD	35 psf	
CANOPY ROOF MATERIAL	22 gauge galvanized standard steel roofing	
OVERALL HEIGHT RANGE W/O CANOPY	65.5" – 76.5"	70.1" – 85"
OVERALL HEIGHT RANGE W/ CANOPY	116.3" – 127.3"	120.9" – 135.8"
OVERALL HEIGHT W/O CANOPY – OSHA COMPLIANT	68" & 76.4"	76.5" & 85"
OVERALL HEIGHT W/ CANOPY – OSHA COMPLIANT	118.8" & 127.3"	127.3" & 135.8"

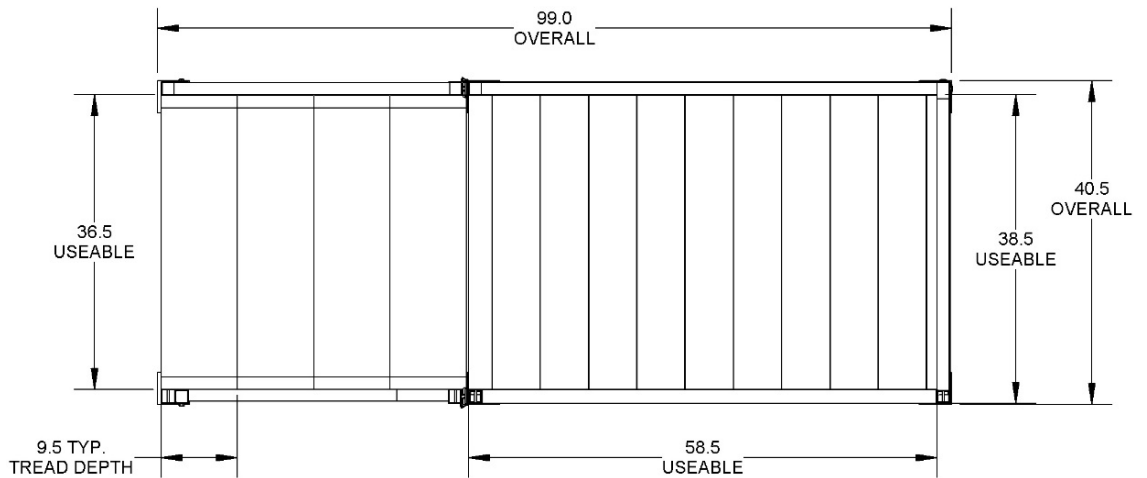
Weights and dimensions are approximate and subject to change.

DIMENSIONS SHOWN IN INCHES

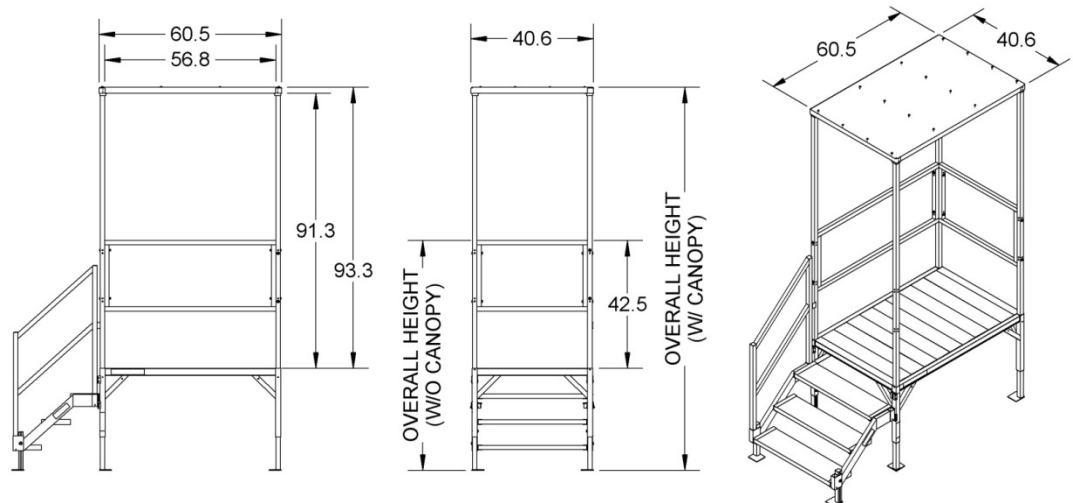
23"-34"



27.5"-42.5"

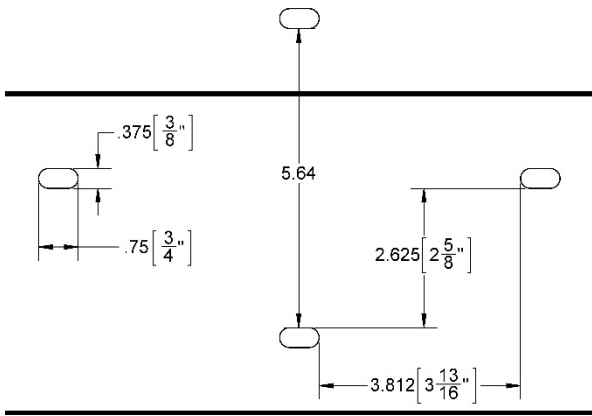


CANOPY



DIMENSIONS SHOWN IN INCHES

PLATFORM DRAIN HOLE PATTERN



OVERSIZED FOOT

