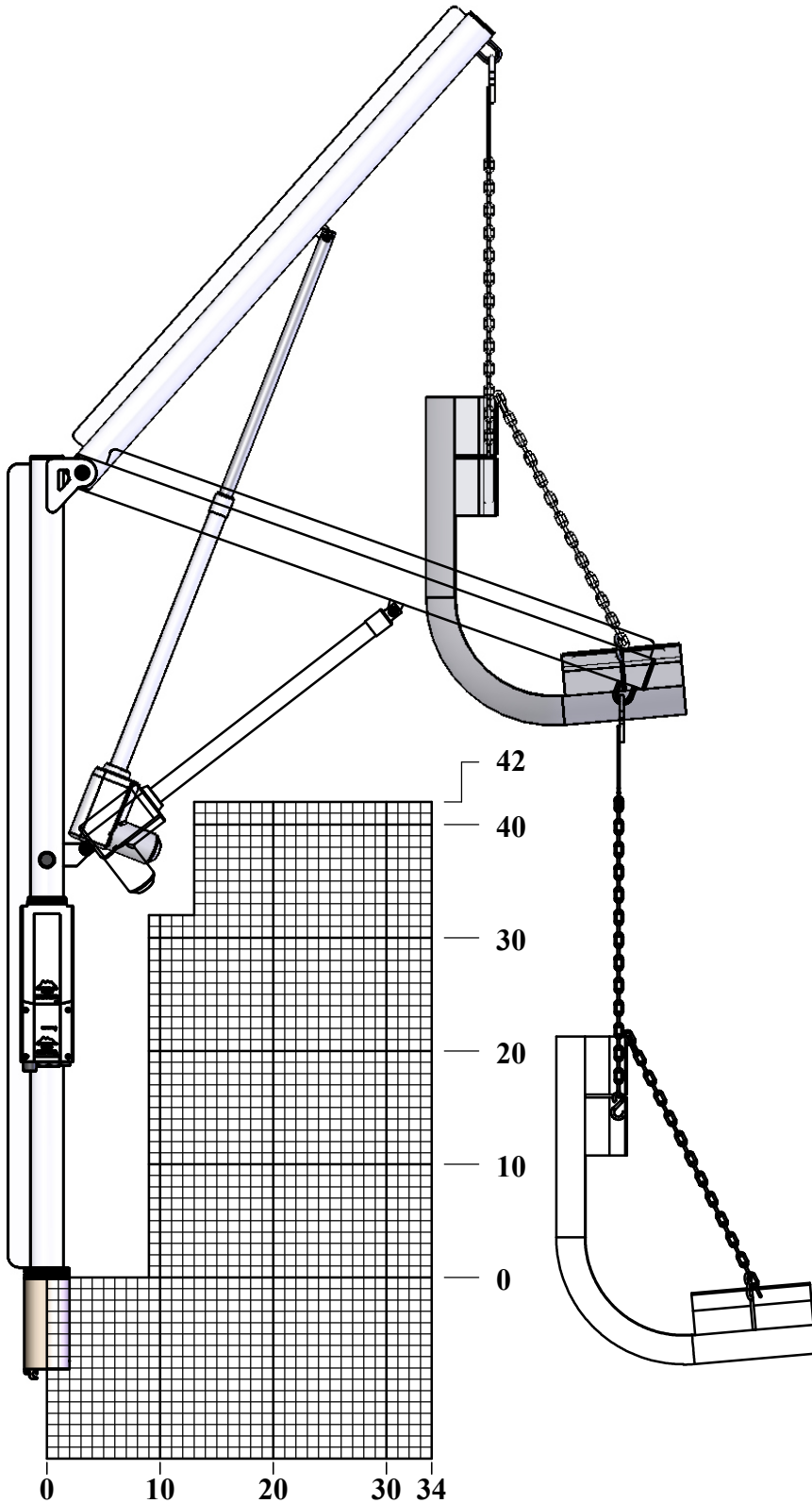


# SUPER POWER EZ LIFT GRAPH

MINIMUM SETBACK = 21"  
 MAXIMUM SETBACK = 24"

DRAW YOUR PROFILE ON THE GRAPH USING THE CENTER OF THE ANCHOR AS YOUR START POINT. ALL GRAPH LINES ARE IN 1" INCREMENTS.



**CHAINS ADJUSTED TO LOWEST POSITION**



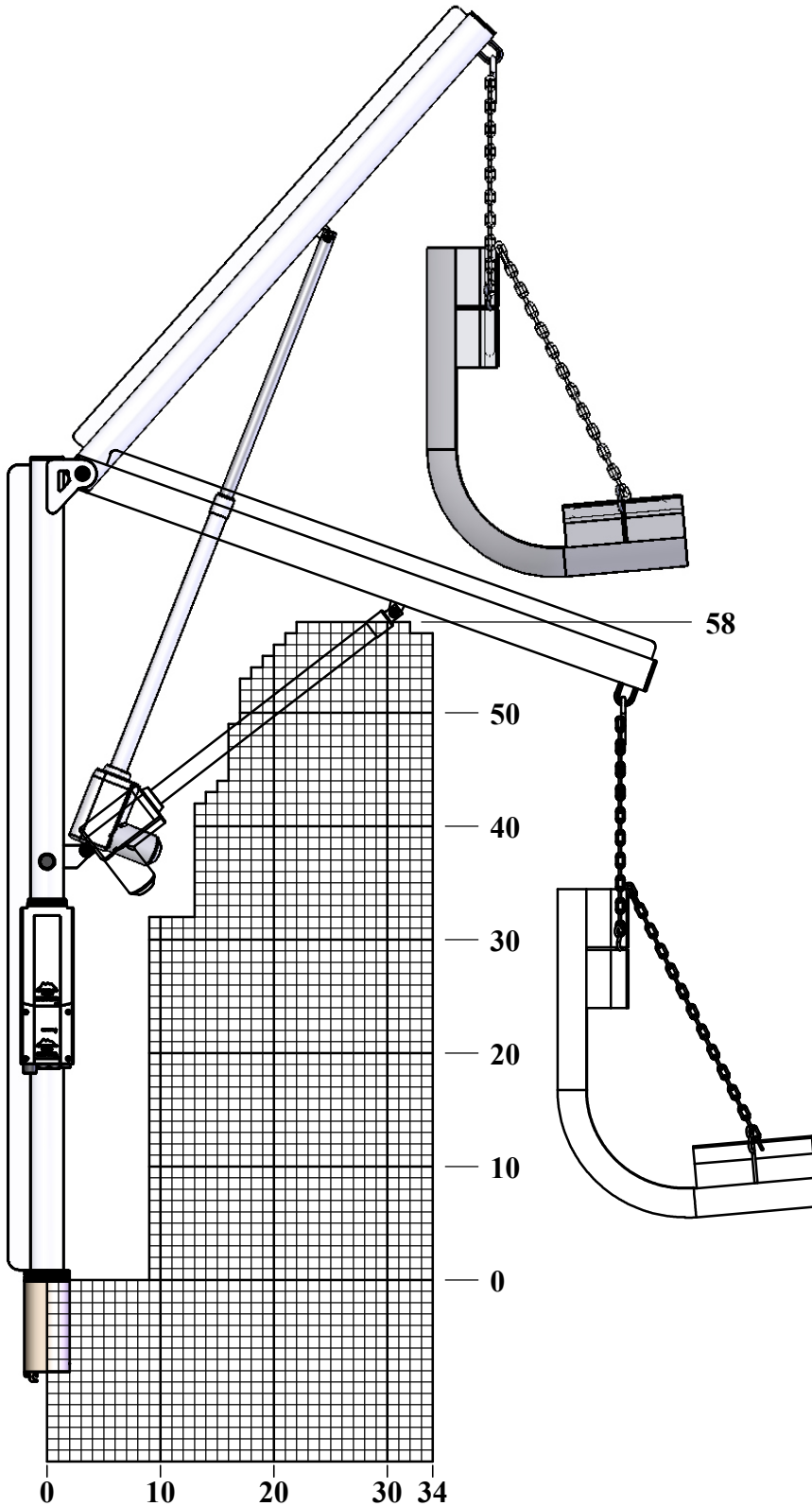
9889 GARRYMORE LANE  
 MISSOULA, MT 59808  
 (406) 549-0769  
 FAX (406) 549-2602

|                                |                         |
|--------------------------------|-------------------------|
| PRODUCT: <b>SUPER POWER EZ</b> |                         |
| PART #: <b>F-190PHBL</b>       |                         |
| SCALE: <b>1:16</b>             | DATE: <b>12/23/2016</b> |
| DRAWN BY: <b>KR</b>            | REVISION: <b>A</b>      |

# SUPER POWER EZ LIFT GRAPH

MINIMUM SETBACK = 21"  
 MAXIMUM SETBACK = 24"

DRAW YOUR PROFILE ON THE GRAPH USING THE CENTER OF THE ANCHOR AS YOUR START POINT. ALL GRAPH LINES ARE IN 1" INCREMENTS.



**CHAINS ADJUSTED TO HIGHEST POSITION**



9889 GARRYMORE LANE  
 MISSOULA, MT 59808  
 (406) 549-0769  
 FAX (406) 549-2602

|                                |                         |
|--------------------------------|-------------------------|
| PRODUCT: <b>SUPER POWER EZ</b> |                         |
| PART #: <b>F-190PHBL</b>       |                         |
| SCALE: <b>1:16</b>             | DATE: <b>12/23/2016</b> |
| DRAWN BY: <b>KR</b>            | REVISION: <b>A</b>      |