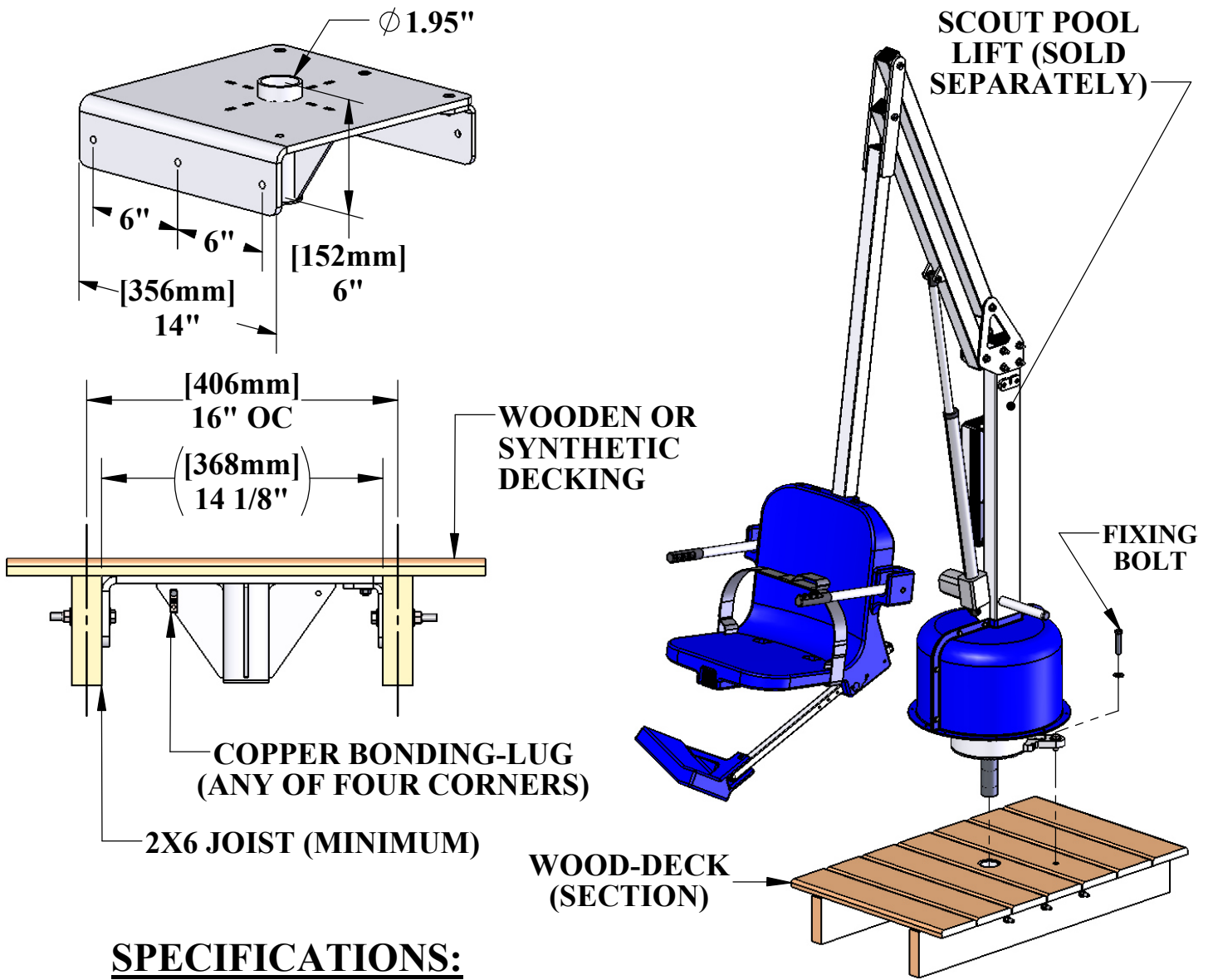


THE SCOUT WOOD-DECK ANCHOR



SPECIFICATIONS:

RATED CAPACITY: 350 LBS [159 kg]
MAXIMUM SETBACK (POOL-WALL TO CENTER): 34" [864mm]
WEIGHT (WOOD-DECK ANCHOR ASSEMBLY): 35 LBS [16 kg]
ADA FIXING ANCHOR: INCLUDED

MATERIALS:

- * **WOOD-DECK ANCHOR & BRACKET: TYPE 304 STAINLESS STEEL**
- * **BONDING LUG: SOLID COPPER**
- * **HARDWARE: TYPE 316 STAINLESS STEEL**
- * **POWDER COATING: OFF-WHITE EPOXY**

WARRANTY: LIMITED LIFETIME (STANDARD)



9889 GARRYMORE LANE
 MISSOULA, MT 59808
 (406) 549-0769
 FAX (406) 549-2602

NOTE:
 *SPECIFICATIONS ARE SUBJECT TO CHANGE WITHOUT NOTICE

PRODUCT:	F-842SWDA	
DWG #:	F-842SWDA-1	
SCALE:	1:8	DATE: 12/19/2016
DRAWN BY:	KR	REVISION: C